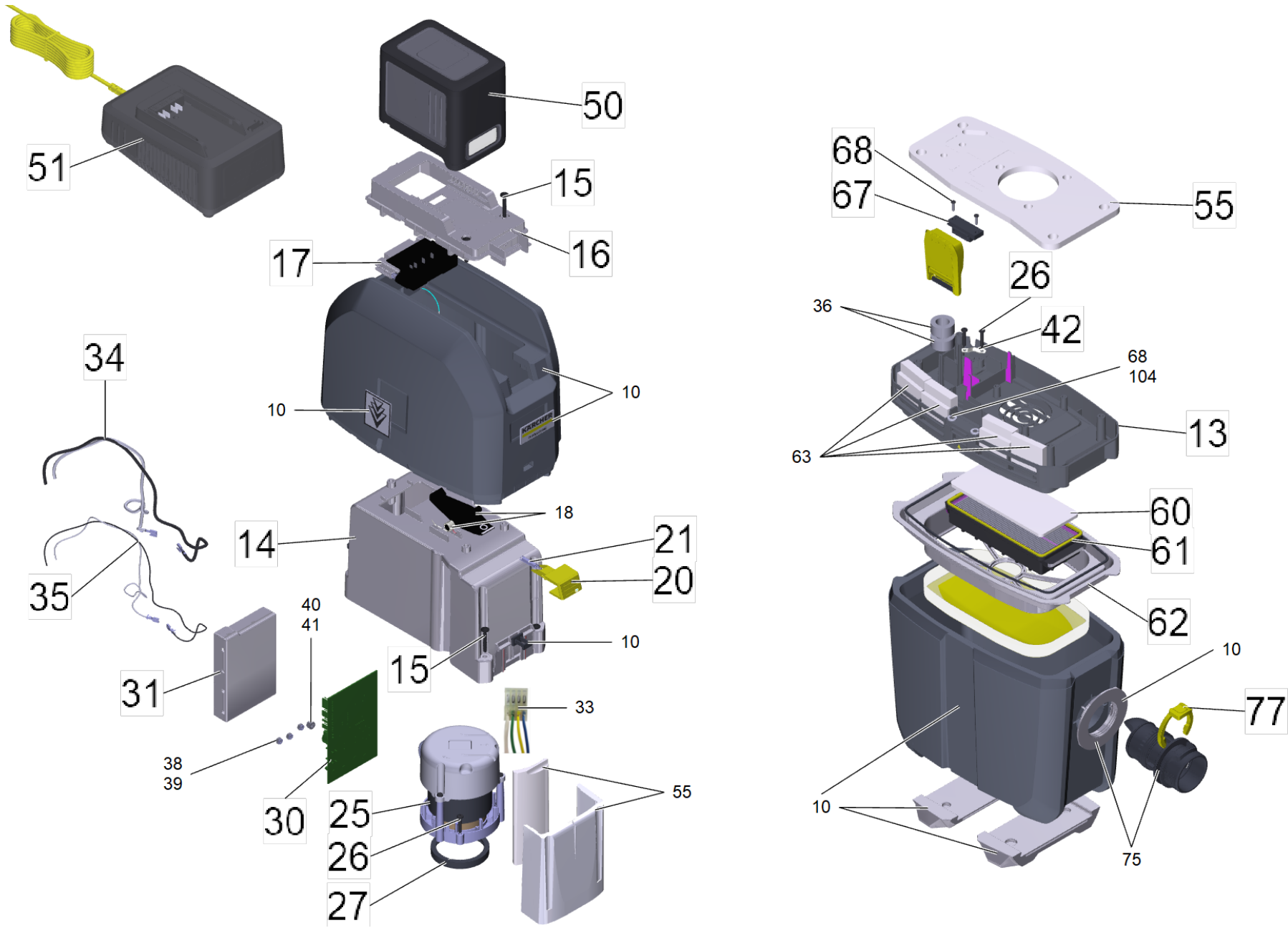


Spare parts list

(1.394-272.0) BVL 5/1 Bp Pack *CUL

Table of contents

BVL 5/1 Bp Pack *CUL (1.394-272.0)	3
10 Housing cpl. for replacement (4.605-185.0)	8
1 Housing head cpl. BVL 5/1 (4.605-191.0)	10
14 Housing base plate for replacement (5.605-247.3)	12
25 Blower unit UL (4.610-108.3)	14
37 Remote control (4.645-736.0)	16
65 Carrying strap (6.541-007.0)	18
81 Elbow packaged antistatic NW35 2K (2.889-148.0)	20





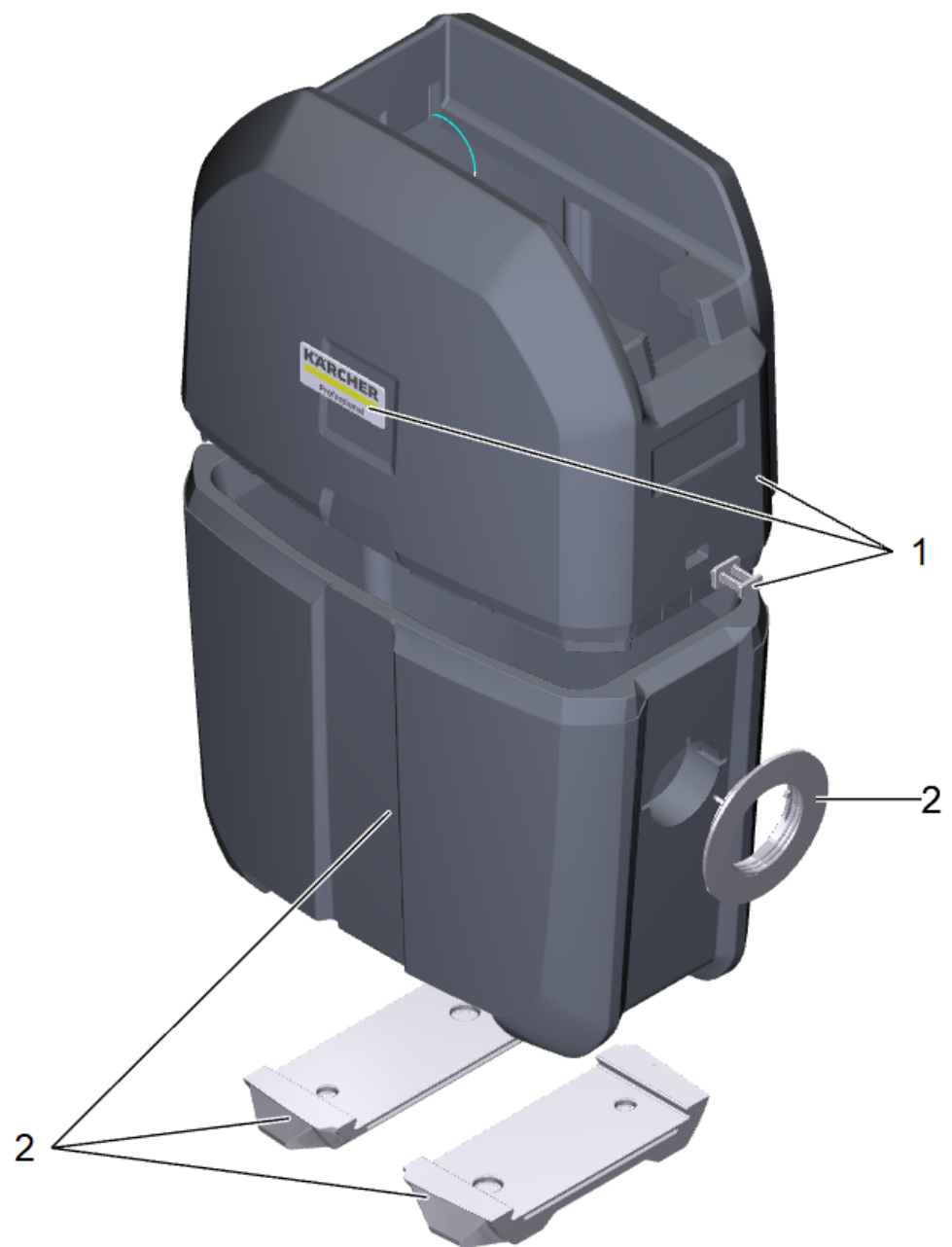


BVL 5/1 Bp Pack *CUL (1.394-272.0)

POS	Article no.	Description	Quantity	Unit
10	4.605-185.0	Housing cpl. for replacement	1	PC
13	5.605-212.3	Base plate for replacement	1	PC
14	5.605-247.3	Housing base plate for replacement	1	PC
15	7.303-086.0	Screw 5x30 -10.9-R2R (K-In6Rd)	7	PC
16	5.605-238.3	Rail battery for replacement	1	PC
17	4.051-368.3	Contact carrier ejector weak spring	1	PC
18	4.071-599.0	Lock element battery	1	PC
20	5.324-220.3	Pushbutton releasing device battery	1	PC
21	6.907-577.0	Pressure spring D 5,25x27	1	PC
25	4.610-108.3	Blower unit UL	1	PC
26	7.303-096.0	Screw 4x22-ST-10.9-R2R (IN6RD)	5	PC
27	5.363-498.0	Seal bottom	1	PC
30	4.683-275.3	Control system electronics for replacement	1	PC
31	5.605-430.3	Housing electronics for replacement BVL 5/1 Bp	1	PC
33	6.651-834.0	Cable BLDC motor communic. electronics	1	PC
34	6.651-073.0	Cable battery electronics BV5/1 BP Pack	1	PC
35	6.651-072.0	Cable battery control system BV5/1 BP Pack	1	PC
36	6.346-043.0	Ferrite ring	2	PC
37	4.645-736.0	Remote control	1	PC
38	6.645-664.0	Spring washer B 4	3	PC
39	7.311-001.0	Hexagon nut M4 -6-A2E ISO 4032	3	PC
40	7.313-002.0	Spring washer B 5-FSt-MZN DIN 127	1	PC
41	7.311-002.0	Hexagon nut M5 -6-A2E ISO 4032	1	PC
42	6.903-241.0	Clamp clip	1	PC
50	2.445-076.0	Battery Power+ 36/60 *CUL	1	PC
51	2.445-053.0	Battery charger Battery Power+ 36/60 *CUL	1	PC
55	4.286-000.0	Insulating mat cpl. for replacement	1	PC
60	5.414-007.3	Filter motor protecting for replacement	1	PC
61	2.889-342.0	Accessories filter HEPA	1	PC
62	5.731-068.3	Filtering basket for replacement	1	PC
63	4.286-004.0	Blowing filter cpl. for replacement	3	PC
64	6.904-335.0	Filter bags fleece 10 Stck Kärcher	1	PC
65	6.541-007.0	Carrying strap	1	PC

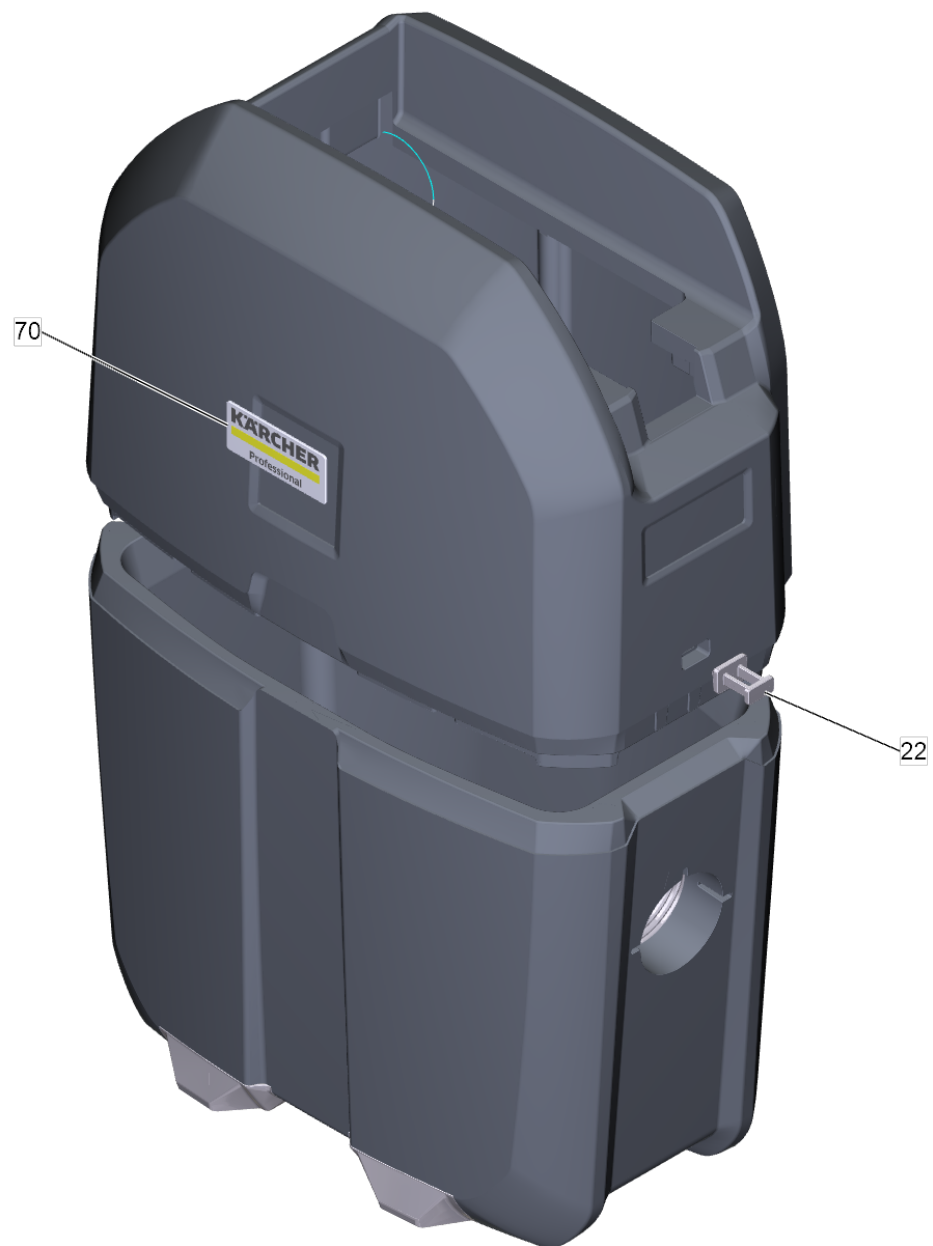
BVL 5/1 Bp Pack *CUL (1.394-272.0)

POS	Article no.	Description	Quantity	Unit
66	7.306-254.0	Screw M8x16 -10.9-ZNBHL ISO 7380-2	2	PC
67	6.653-026.0	Magnet	1	PC
68	6.303-557.0	Screw 3x12 Kombitorx T8	2	PC
69	7.303-123.0	Countersunk screw 3x16 -10.9-R2R (In6Rd)	2	PC
75	4.032-046.0	Suction nipple cpl. for replacement	1	PC
77	5.343-022.0	Locking ring	1	PC
79	5.324-225.3	Holder suction tube for replacement	2	PC
80	2.889-346.0	Suction hose T DN35 1m	1	PC
81	2.889-148.0	Elbow packaged antistatic NW35 2K	1	PC
82	2.889-129.0	Floor tool basalt grey packaged NW35	1	PC
83	6.900-385.0	Crevice nozzle DN35	1	PC
84	6.905-998.0	Upholstery nozzle complete NW35	1	PC
85	2.862-008.0	Telescopic tube packaged NW35	1	PC
104	6.343-169.0	Quick-fastener	2	PC



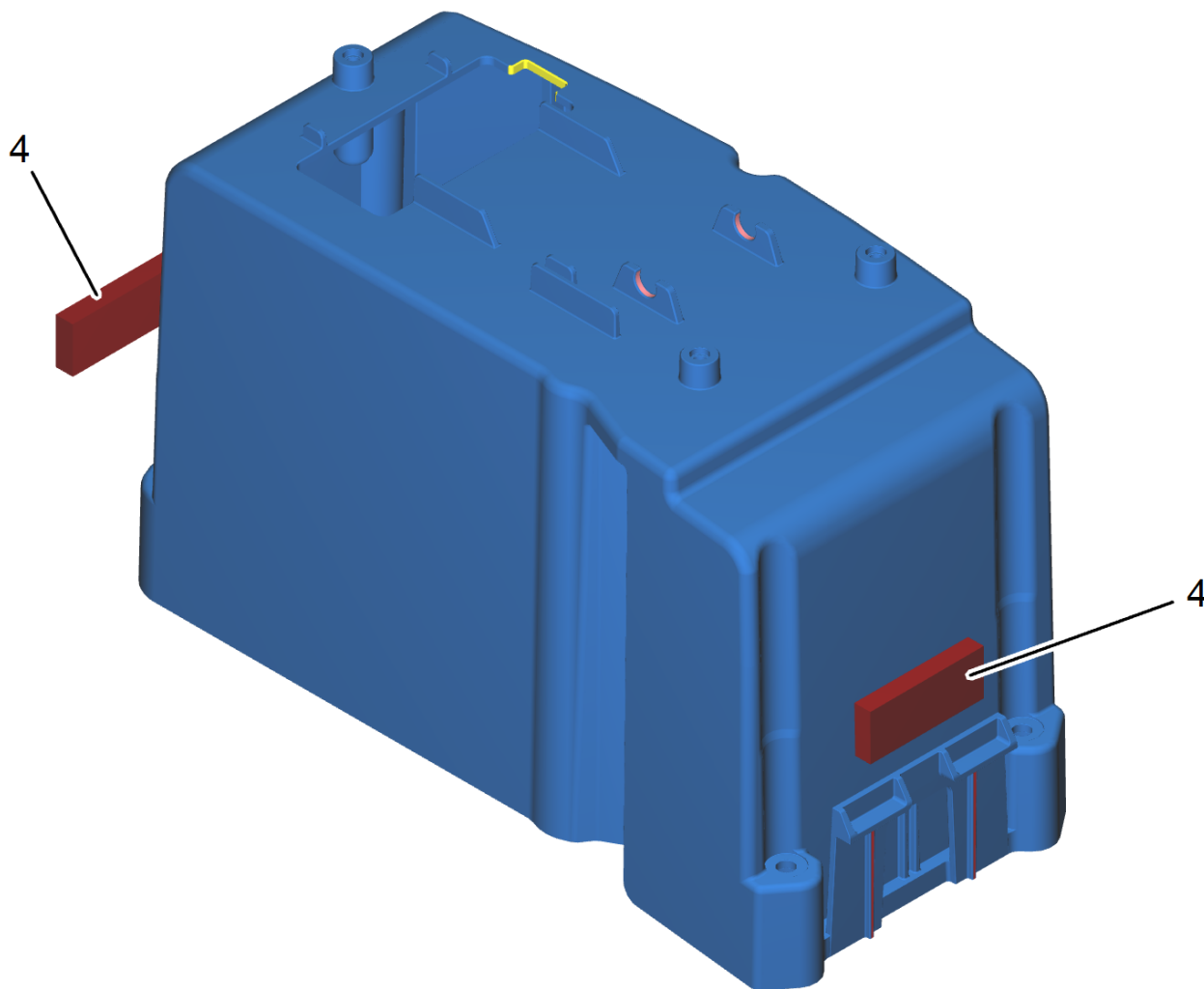
10 Housing cpl. for replacement (4.605-185.0)

POS	Article no.	Description	Quantity	Unit
1	4.605-191.0	Housing head cpl. BVL 5/1	1	PC
2	4.605-192.0	Tank cpl. BVL 5/1	1	PC



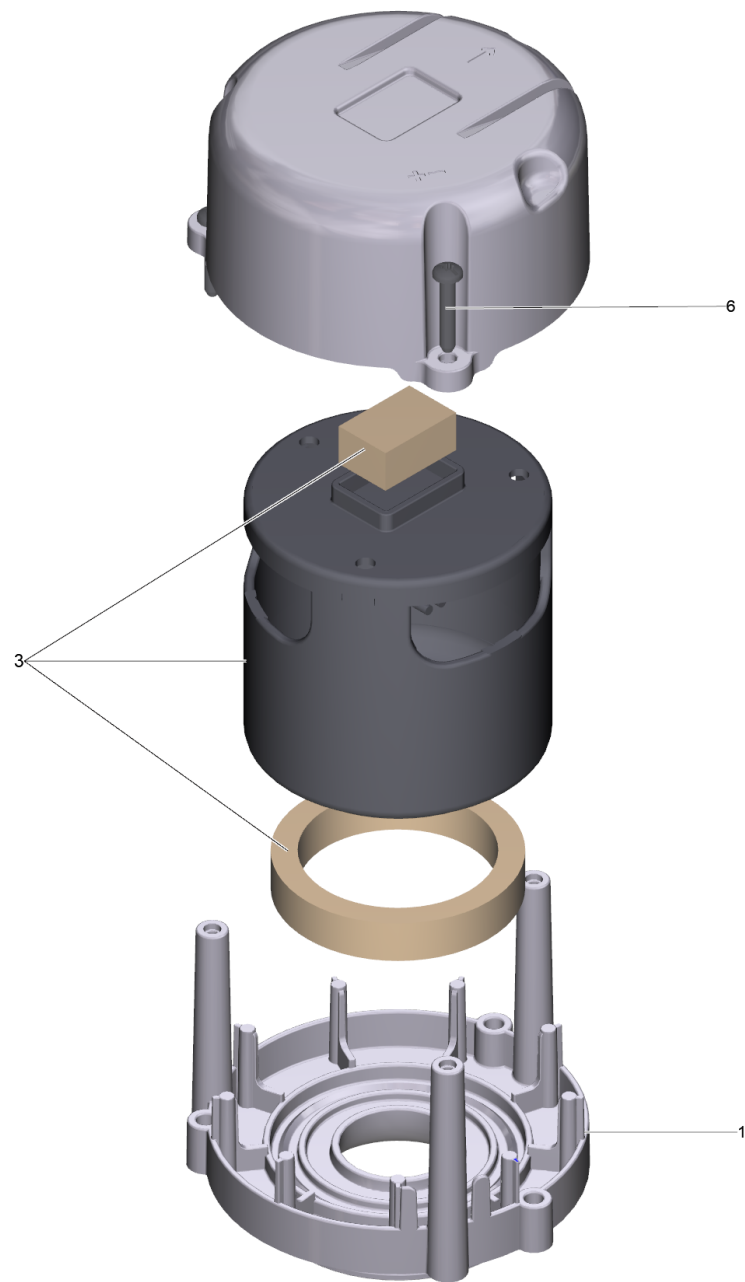
1 Housing head cpl. BVL 5/1 (4.605-191.0)

POS	Article no.	Description	Quantity	Unit
22	5.324-221.3	Bolt locking part for replacement	2	PC
70	5.385-511.0	Label logo glued M Professional	1	PC



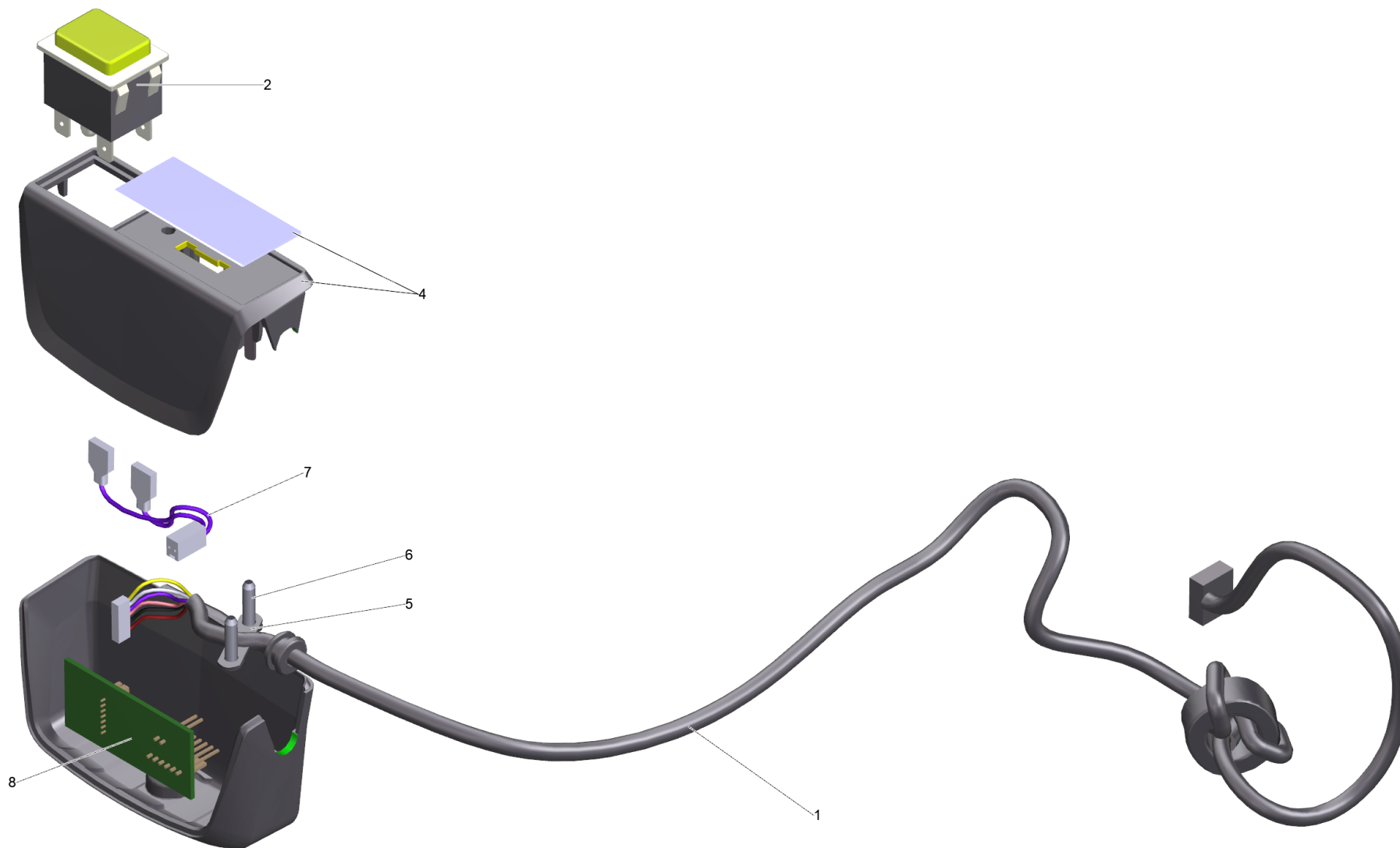
14 Housing base plate for replacement (5.605-247.3)

POS	Article no.	Description	Quantity	Unit
4	6.273-123.0	Sealing tape 16X6	0,1	m



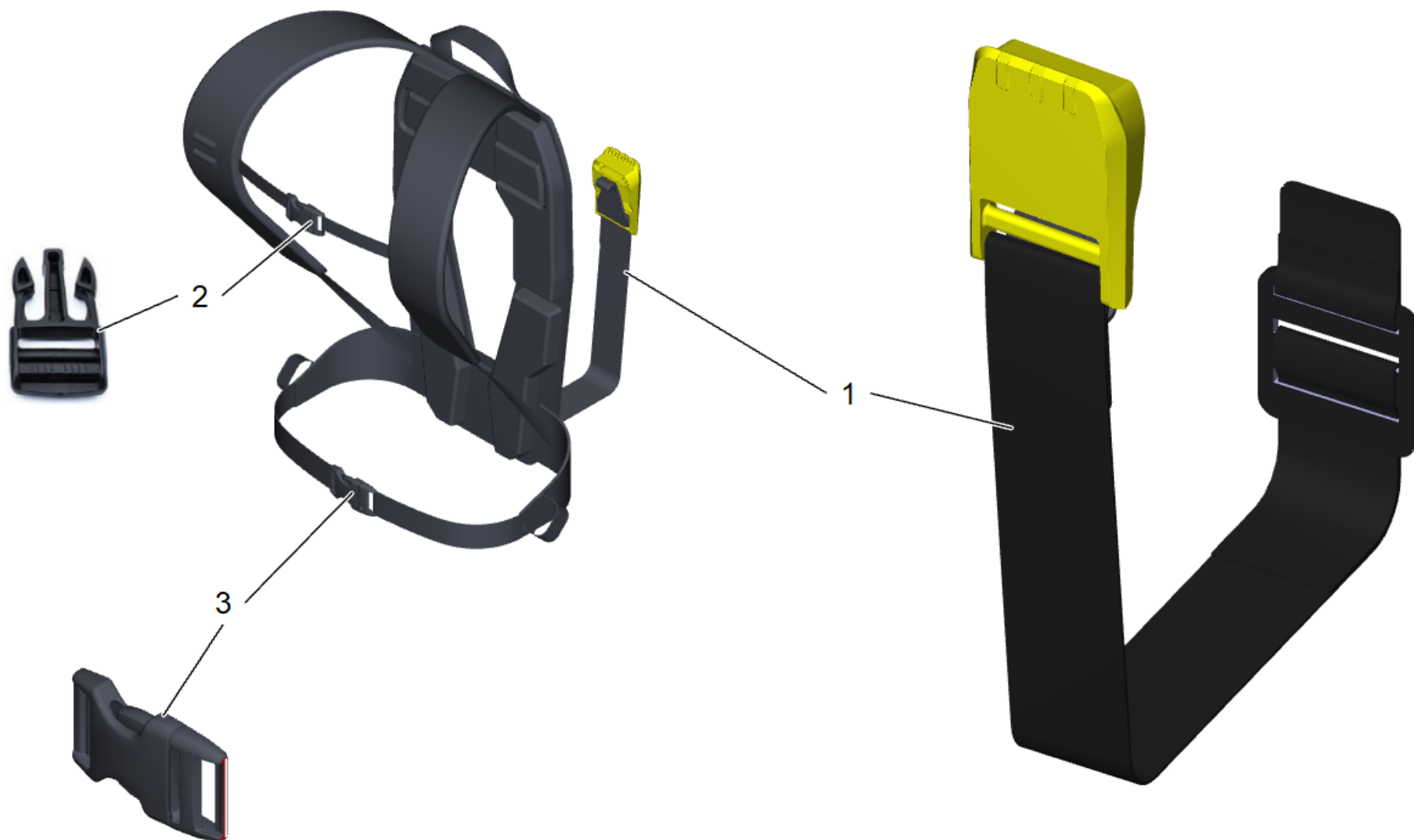
25 Blower unit UL (4.610-108.3)

POS	Article no.	Description	Quantity	Unit
1	5.605-434.3	Housing bottom part for replacement	1	PC
3	4.490-032.0	BLDC motor cpl. for replacement	1	PC
5	5.605-428.3	Housing top part for replacement	1	PC
6	7.303-096.0	Screw 4x22-ST-10.9-R2R (IN6RD)	3	PC



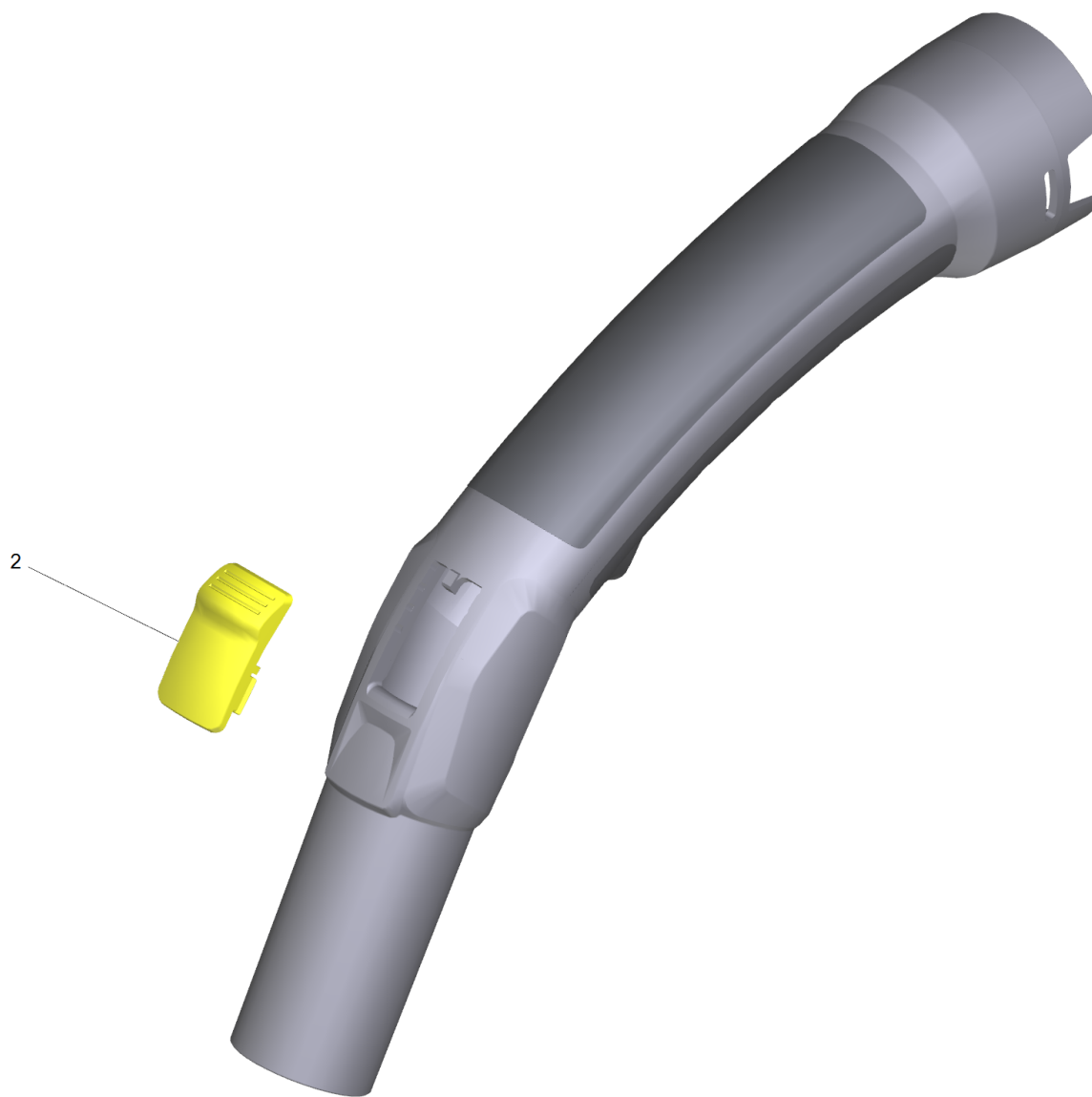
37 Remote control (4.645-736.0)

POS	Article no.	Description	Quantity	Unit
1	6.651-137.0	Cable operating element	1	PC
2	6.630-827.0	Switch one-pole BV 5/1 Bp	1	PC
4	4.324-063.0	Set remote control top part	1	PC
5	6.903-241.0	Clamp clip	1	PC
6	7.303-205.0	Screw 4x16-St-10.9-R2R (K-In6Rd)	2	PC
7	6.650-613.0	Cable pushbutton	1	PC
8	4.683-079.3	Control system	1	PC



65 Carrying strap (6.541-007.0)

POS	Article no.	Description	Quantity	Unit
1	4.324-075.0	Closure with belt	1	PC
2	6.101-268.0	Buckle male	1	PC
3	6.101-269.0	Buckle cpl.	1	PC



81 Elbow packaged antistatic NW35 2K (2.889-148.0)

POS	Article no.	Description	Quantity	Unit
2	4.071-800.0	Slider elbow for replacement	1	PC
