

Spare parts list

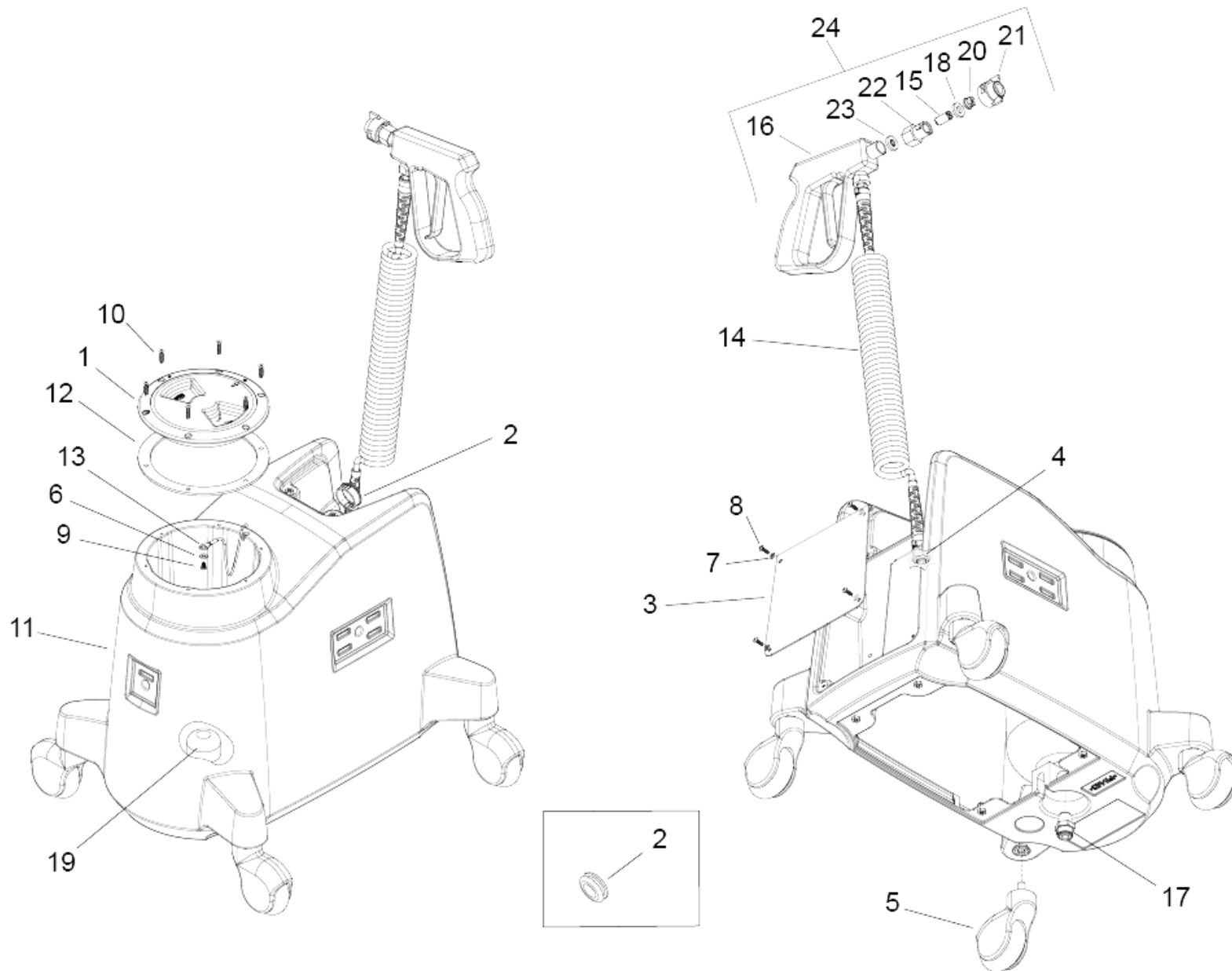
(1.007-084.0) PS 4/7 BP OBC Mister

Table of contents

PS 4/7 BP OBC Mister (1.007-084.0)	3
10 Chassis PS 4/7 OBC Mister	4
20 Subframe PS 4/7	6
30 Controls PS 4/7	9
40 Electrics PS 4/7	11
50 Labels PS 4/7	13
60 Handle PS 4/7	15
80 Kit spray gun electrostatic	17
10 Assembly group electrostatic spray gun	19
20 Assembly group electrostatic satchel	21
110 Serial Numbers PS 4.7 Bp OBC Mister	23

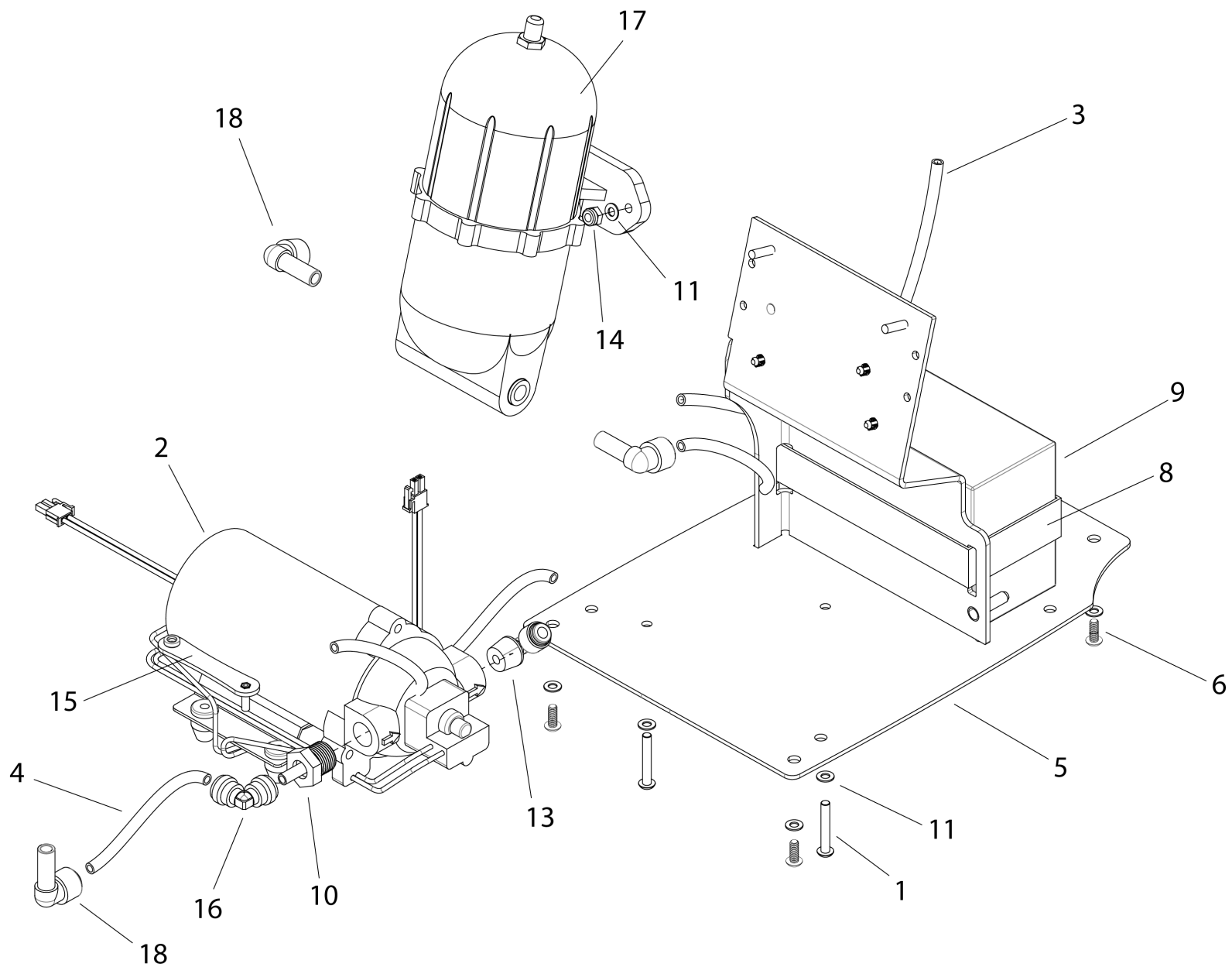
PS 4/7 BP OBC Mister (1.007-084.0)

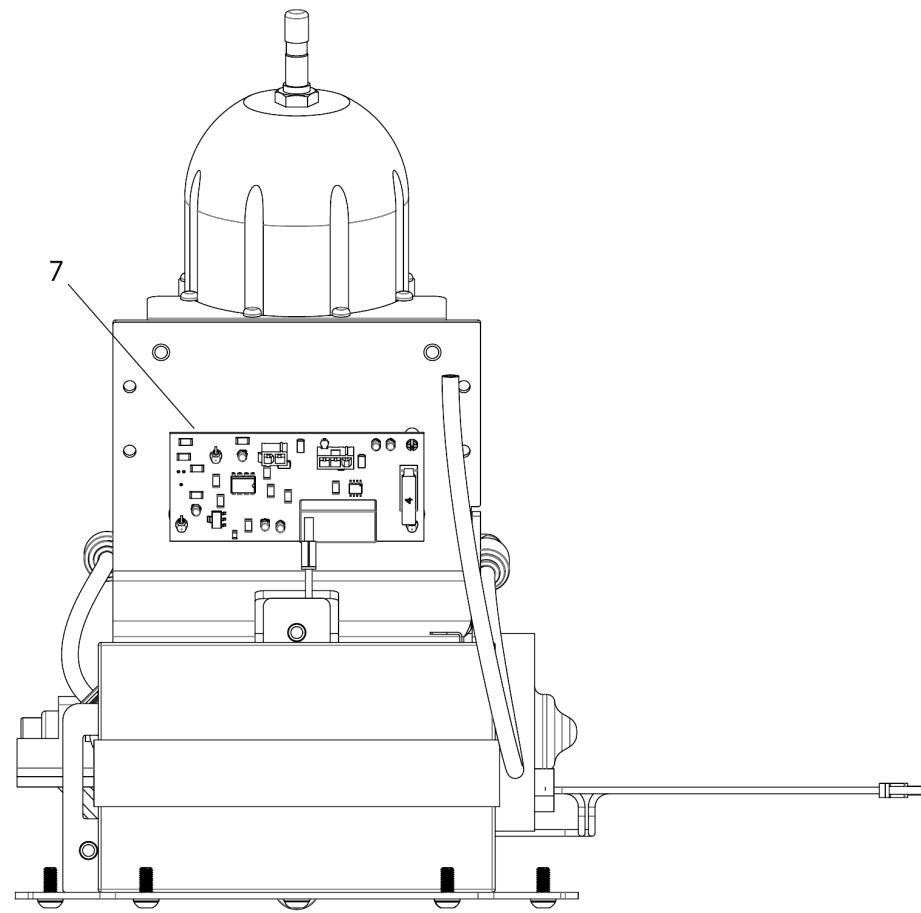
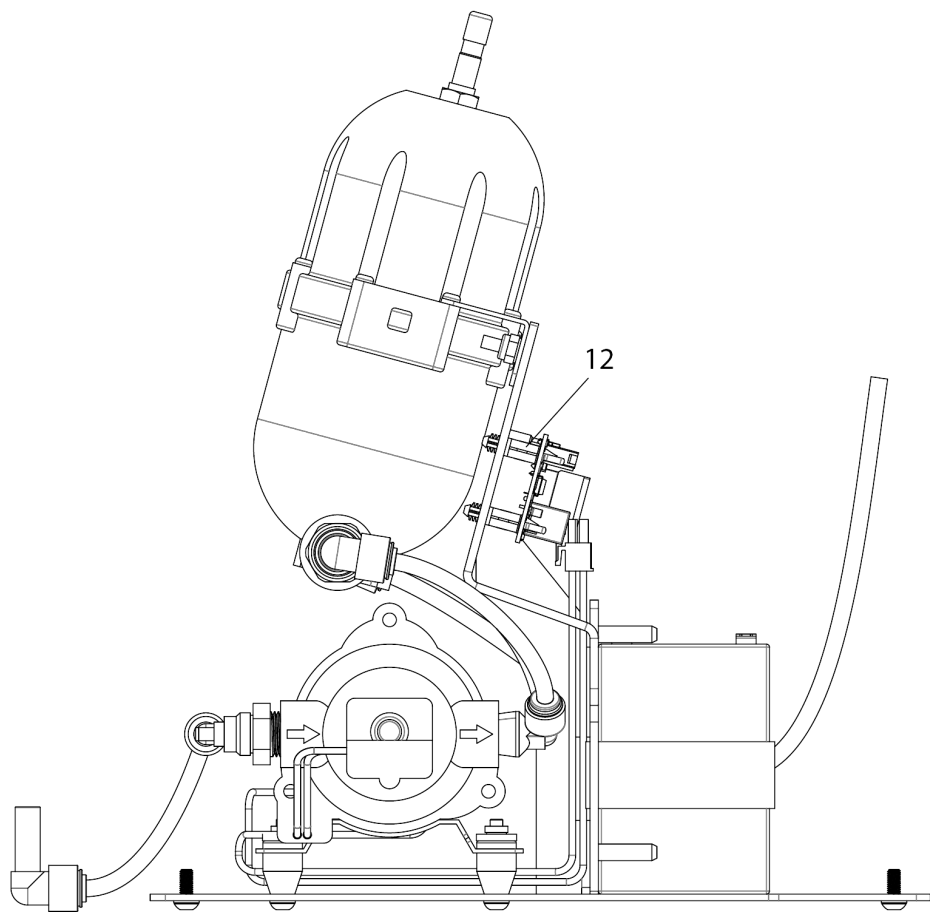
POS	Article no.	Description	Quantity	Unit	Remark
10		Chassis PS 4/7 OBC Mister	1	PC	
20		Subframe PS 4/7	1	PC	
30		Controls PS 4/7	1	PC	
40		Electrics PS 4/7	1	PC	
50		Labels PS 4/7	1	PC	
60		Handle PS 4/7	1	PC	
70	8.643-650.0	Harness PS 4/7 Bp	1	PC	
80		Kit spray gun electrostatic	1	PC	Optional
110		Serial Numbers PS 4.7 Bp OBC Mister	1	PC	



10 Chassis PS 4/7 OBC Mister

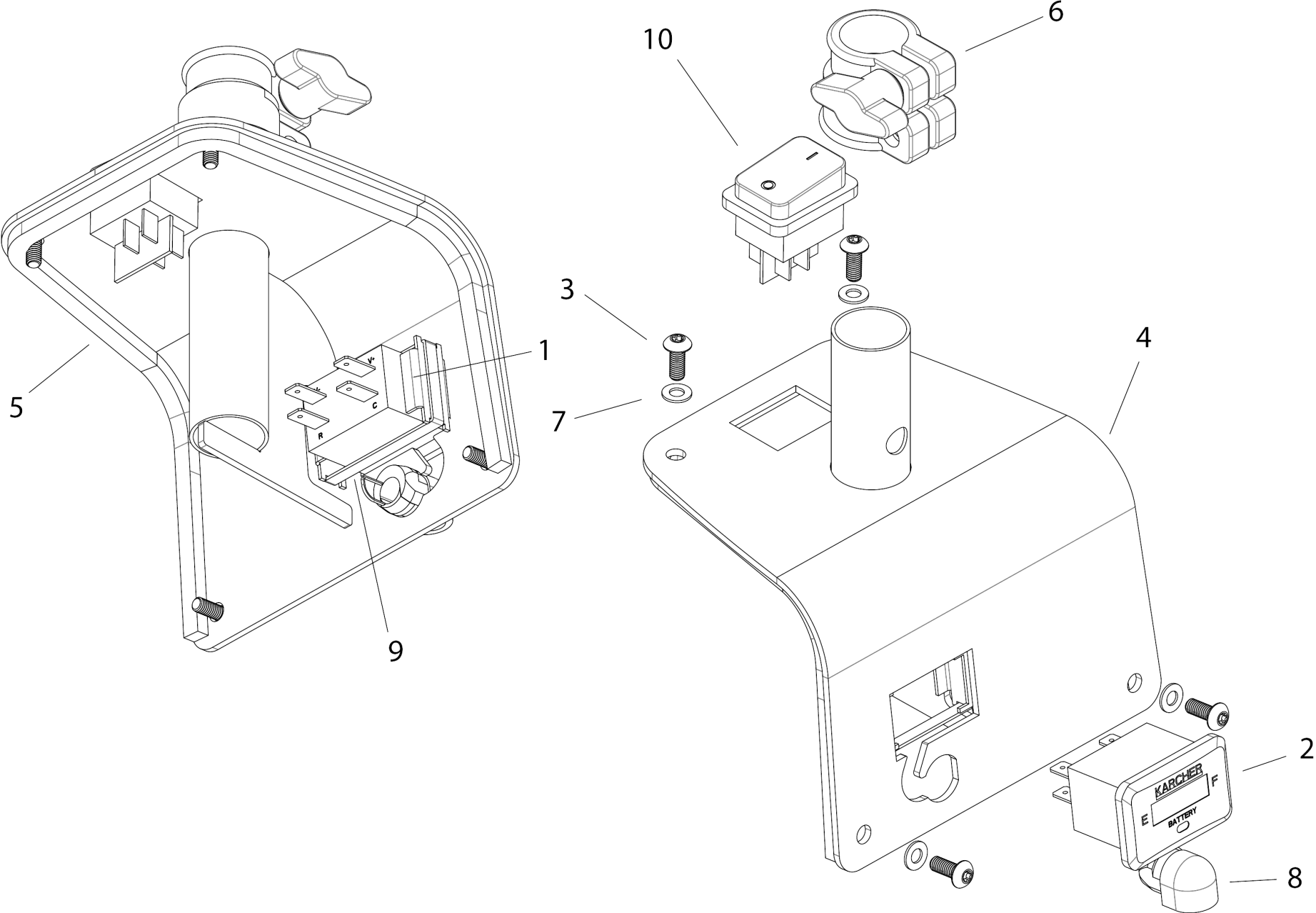
POS	Article no.	Description	Quantity	Unit	valid from	valid until
1	8.644-236.0	Fillport assembly vented 5-1/2"	1	PC		
2	8.639-524.0	BUSHING, 1.312 X 1.5 X .562 SNAP NYL	1	PC	1	
2	8.644-218.0	Grommet 1-1/4	1	PC		1
3	8.644-195.0	Panel cord cover	1	PC		
4	8.643-767.0	Nut M19-1 hexpnl stl znplt	2	PC		
5	8.643-766.0	Caster 3" blk	4	PC		
6	8.643-714.0	Washer #6 x .38 x .065 SS	1	PC		
7	8.643-712.0	Washer #6x.31x.03 FLT NYL BLK	4	PC		
8	8.643-709.0	Screw #6X.50 TTRHTF SS BLK ZNPLT	4	PC		
9	8.643-707.0	Screw #6 x .25 TRDHTFSS	1	PC		
10	8.643-706.0	Screw #8X.75 TFLHTF SS BLK ZNPLT	6	PC		
11	8.643-638.0	Chassis PS 4/7 Bp	1	PC		
12	8.643-623.0	Gasket fillport	1	PC		
13	8.643-555.0	Lanyard fill port PS 4/7	1	PC		
14	8.643-546.0	Hose 1/4" MPT x 1/4" JG	1	PC		
15	8.639-168.0	NOZZLE VOLUME SPACER	1	PC		
16	8.639-056.0	GUN, ASM, 1/4 TURN NOZZLE	1	PC		
17	8.639-040.0	Connector JG 3/8MPT X 3/8 TUBE	1	PC		
18	8.639-014.0	Seal nozzle	1	PC		
19	8.600-797.0	Strainer 3/8 IN. NPT 60 MESH	1	PC		
20	8.639-015.0	Nozzle TPU400033-SS	1	PC		
21	8.639-118.0	CAP, UNIJET NOZZLE, 1/4 TURN	1	PC		
22	8.639-119.0	ADAPTER, UNIJET 1/4 TURN	1	PC		
23	8.639-120.0	WASHER, GUN, UNIJET NOZZLE	1	PC		
24	8.640-001.0	KIT, SPRAY GUN, PS 4/7 BP	1	PC		



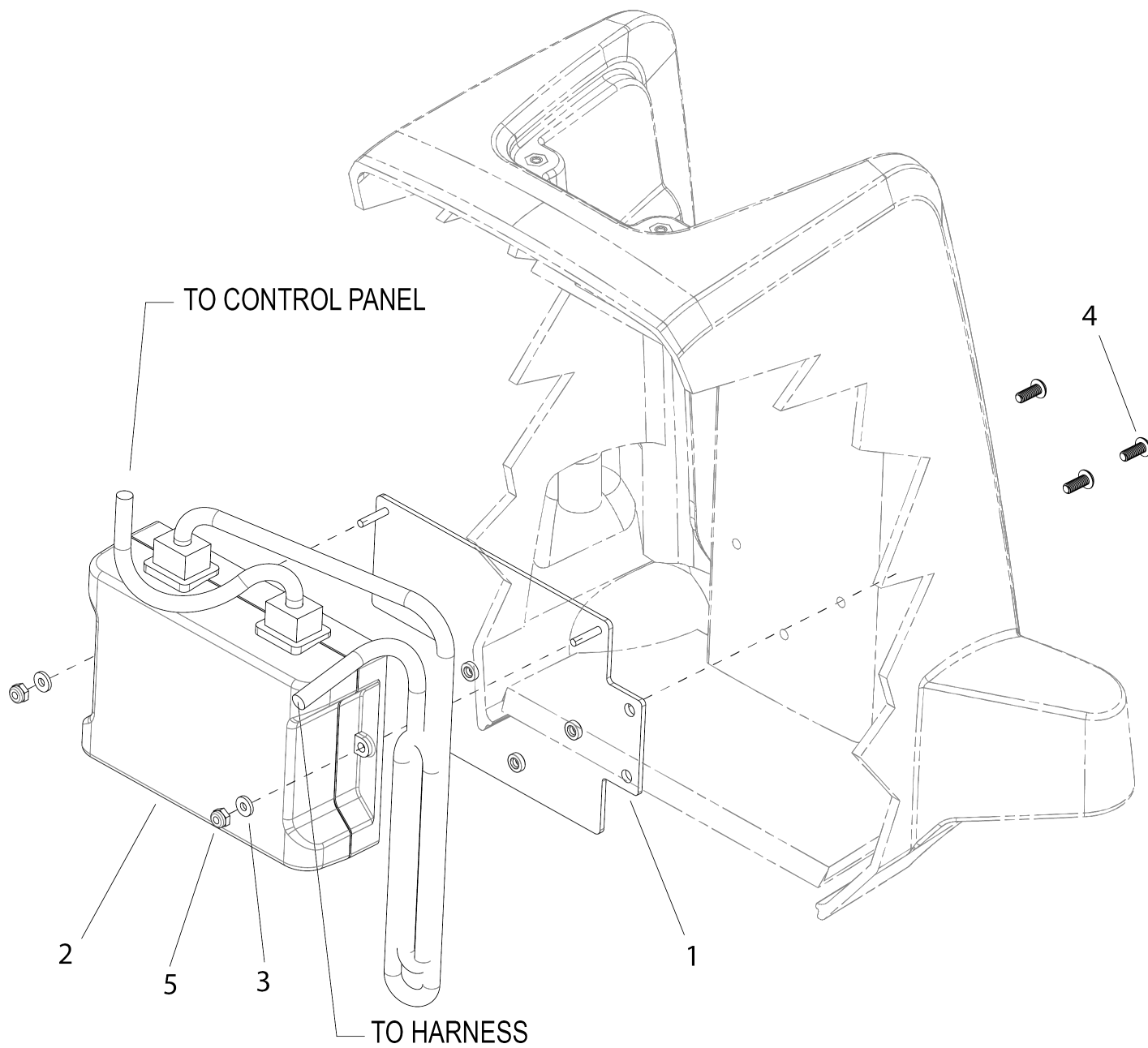


20 Subframe PS 4/7

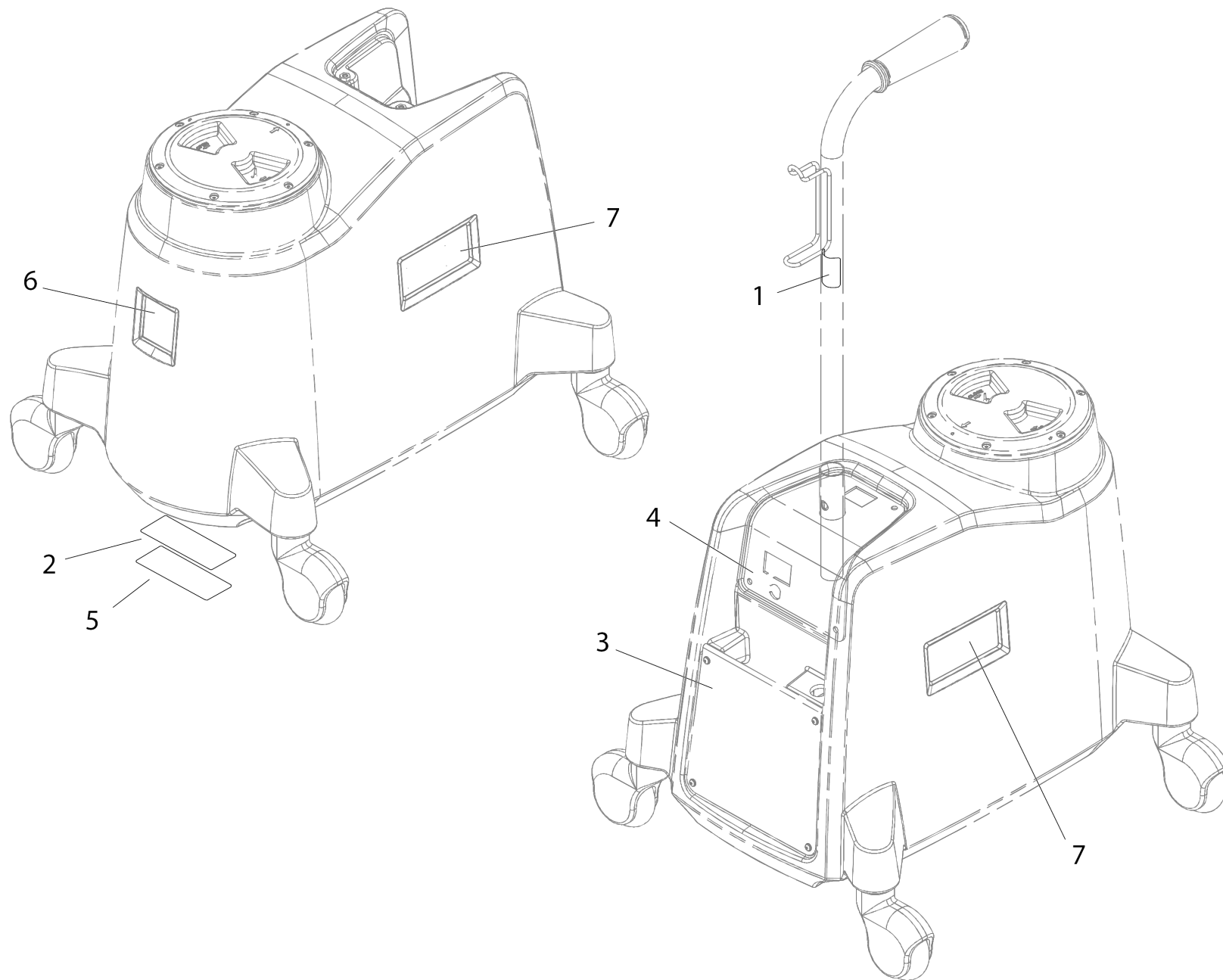
POS	Article no.	Description	Quantity	Unit	valid from	Remark
1	8.644-220.0	Screw #10-32 x 1.25 TPNHCS SS BLK ZNPLT	2	PC		
2	8.644-182.0	Pump PS 4/7 Bp	1	PC		
3	8.643-718.0	Tube long PS 4/7 Bp	1	PC		
4	8.643-717.0	Tube short PS 4/7 Bp	2	PC		
5	8.643-711.0	Internal mounting weldment	1	PC		
6	8.643-708.0	Screw #10-32 X.50 TPNHCS SS BLK ZNPLT	4	PC		
7	8.643-704.0	PCB Assembly PS 4/7 Bp	1	PC		
8	8.643-646.0	Battery Battery tie down strap	1	PC		
9	8.643-643.0	Battery 12V AGM 7AH	1	PC		
10	8.639-126.0	REDUCER, 1/4 X 3/8 NPTF	1	PC		
11	8.638-960.0	Washer #10x.38x.03 FLT NYL BLK	8	PC		
12	8.638-949.0	Standoff 4x12.x6.4 fir	3	PC		
13	8.638-561.0	Elbow 3/8 MPTF x 1/4 Tube	1	PC		
14	8.627-099.0	NUT, 10-32 HEX NYLOCK SS	2	PC		
15	8.638-559.0	Pump mount	2	PC		
16	8.637-988.0	ELBOW, JG, 1/4	1	PC		
17	8.644-374.0	Accumulator push to connect	1	PC	2	
18	8.636-713.0	ELBOW, JG, 3/8 STEM X 1/4 TUBE	3	PC		
19	8.626-493.0	CABLE TIE, 3.5" UL/CSA	2	PC		NOT SHOWN



POS	Article no.	Description	Quantity	Unit
1	8.644-196.0	BDI Lock	2	PC
2	8.643-720.0	Battery indicator 12V with output	1	PC
3	8.643-708.0	Screw #10-32 X.50 TPNHCS SS BLK ZNPLT	4	PC
4	8.643-637.0	Handle mount weldment	1	PC
5	8.643-605.0	Gasket w/adhesive 18 x .3 x .19	1	PC
6	8.639-127.0	SPLIT LOCK COLLAR, 1" TO 7/8"	1	PC
7	8.638-960.0	Washer #10x.38x.03 FLT NYL BLK	4	PC
8	8.638-946.0	Cord grip bushing 90° .325-.335	1	PC
9	8.626-492.0	CABLE TIE, 7" UL/CSA	1	PC
10	6.630-468.0	Switch on/off	1	PC

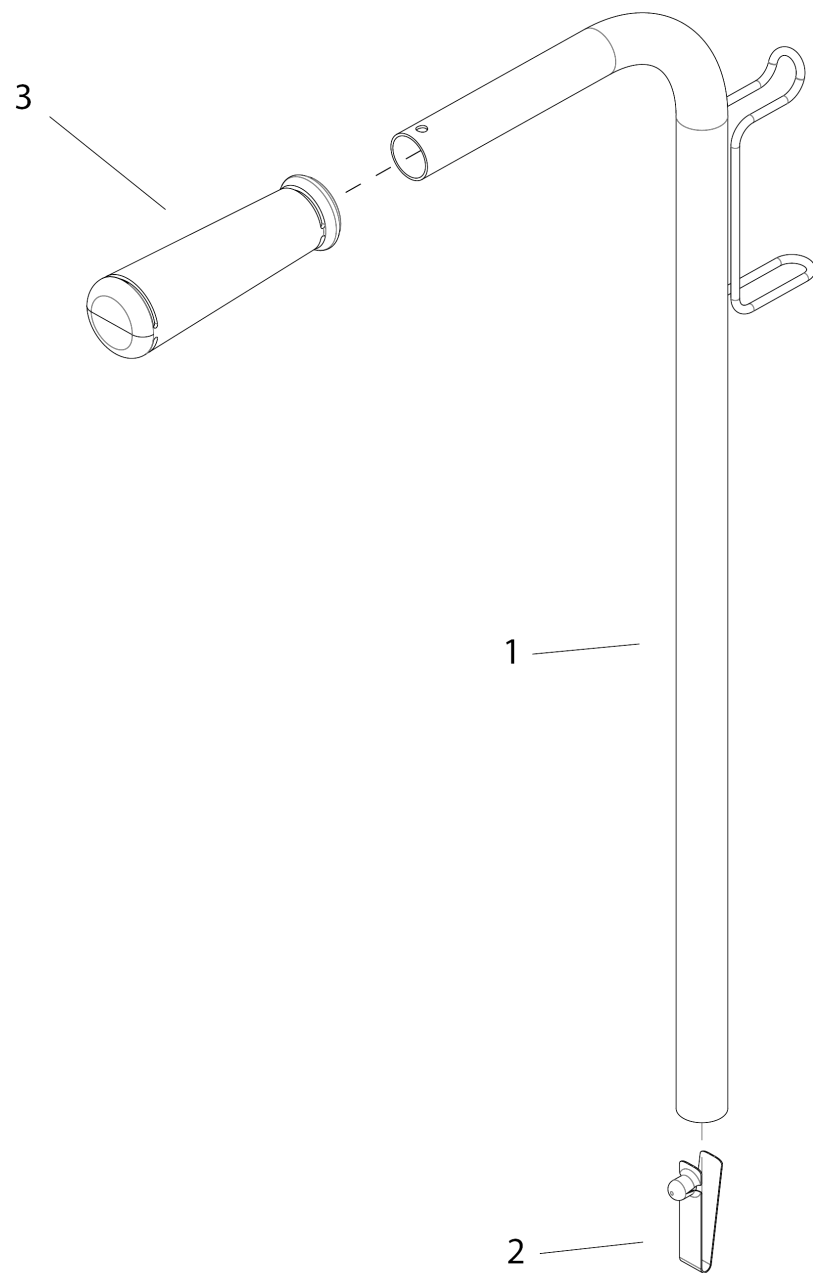


POS	Article no.	Description	Quantity	Unit
1	8.643-769.0	Plate charger mount	1	PC
2	8.643-728.0	Battery charger 12V 6-40AH	1	PC
3	8.643-714.0	Washer #6 x .38 x .065 SS	2	PC
4	8.643-708.0	Screw #10-32 X.50 TPNHCS SS BLK ZNPLT	3	PC
5	8.627-092.0	NUT, 6-32 HEX NYLOCK SS	2	PC
6	8.626-493.0	CABLE TIE, 3.5" UL/CSA	2	PC



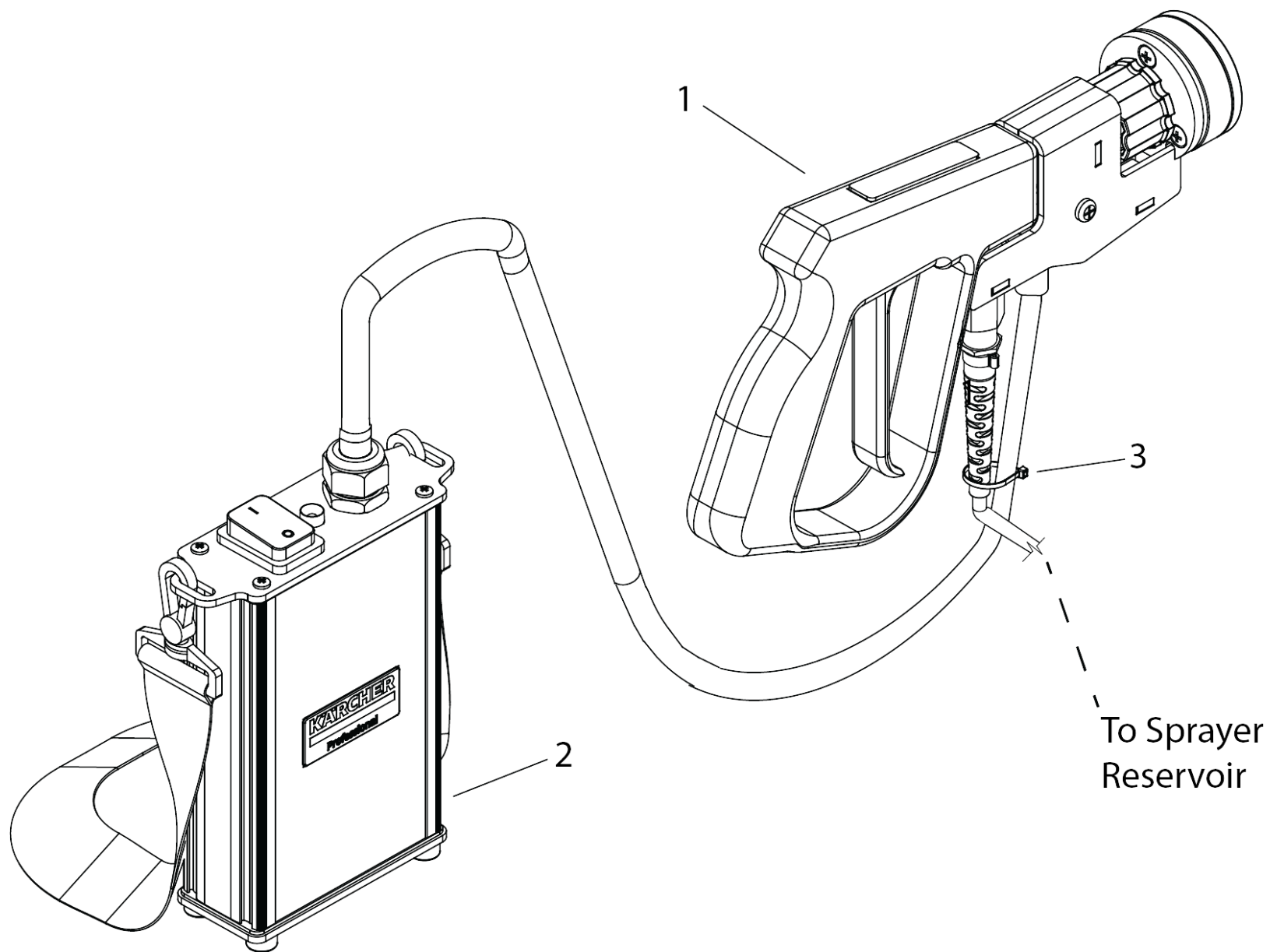
50 Labels PS 4/7

POS	Article no.	Description	Quantity	Unit
1	8.644-285.0	Label mounting instructions	1	PC
2	8.643-754.0	Label data 1.007-084.0	1	PC
3	8.643-752.0	Label instructions QR	1	PC
4	8.643-751.0	Label battery meter	1	PC
5	8.624-322.0	LABEL, DATA LAMINATE	1	PC
6	5.385-517.0	Label signet glued L Professional	1	PC
7	5.385-512.3	Label logo glued L Professional	2	PC



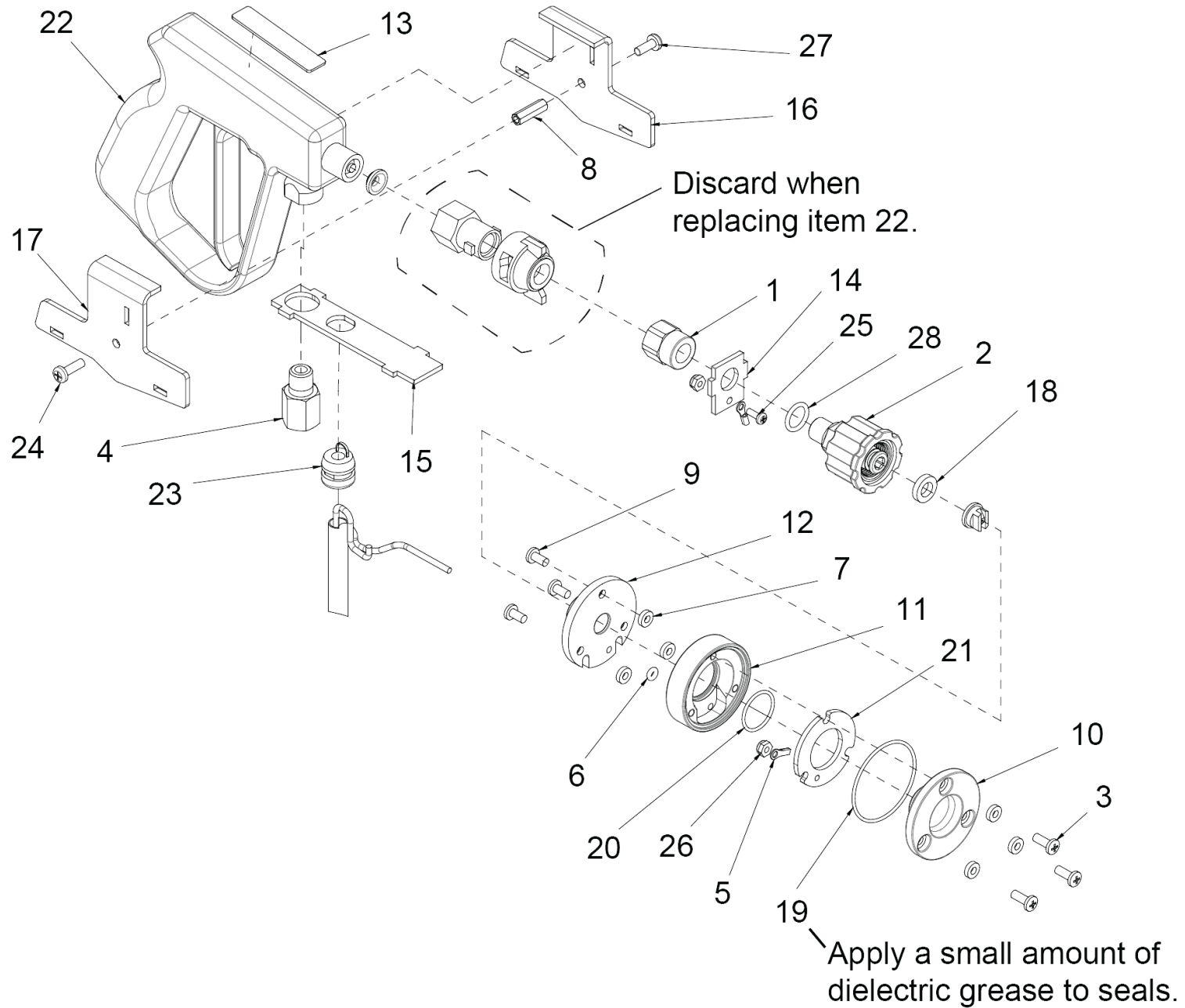
60 Handle PS 4/7

POS	Article no.	Description	Quantity	Unit
1	8.644-058.0	Handle with mount	1	PC
2	8.639-008.0	BUTTON, SNAP, SINGLE, .36DIA	1	PC
3	8.600-407.0	GRIP, POLISHER HANDLE	1	PC



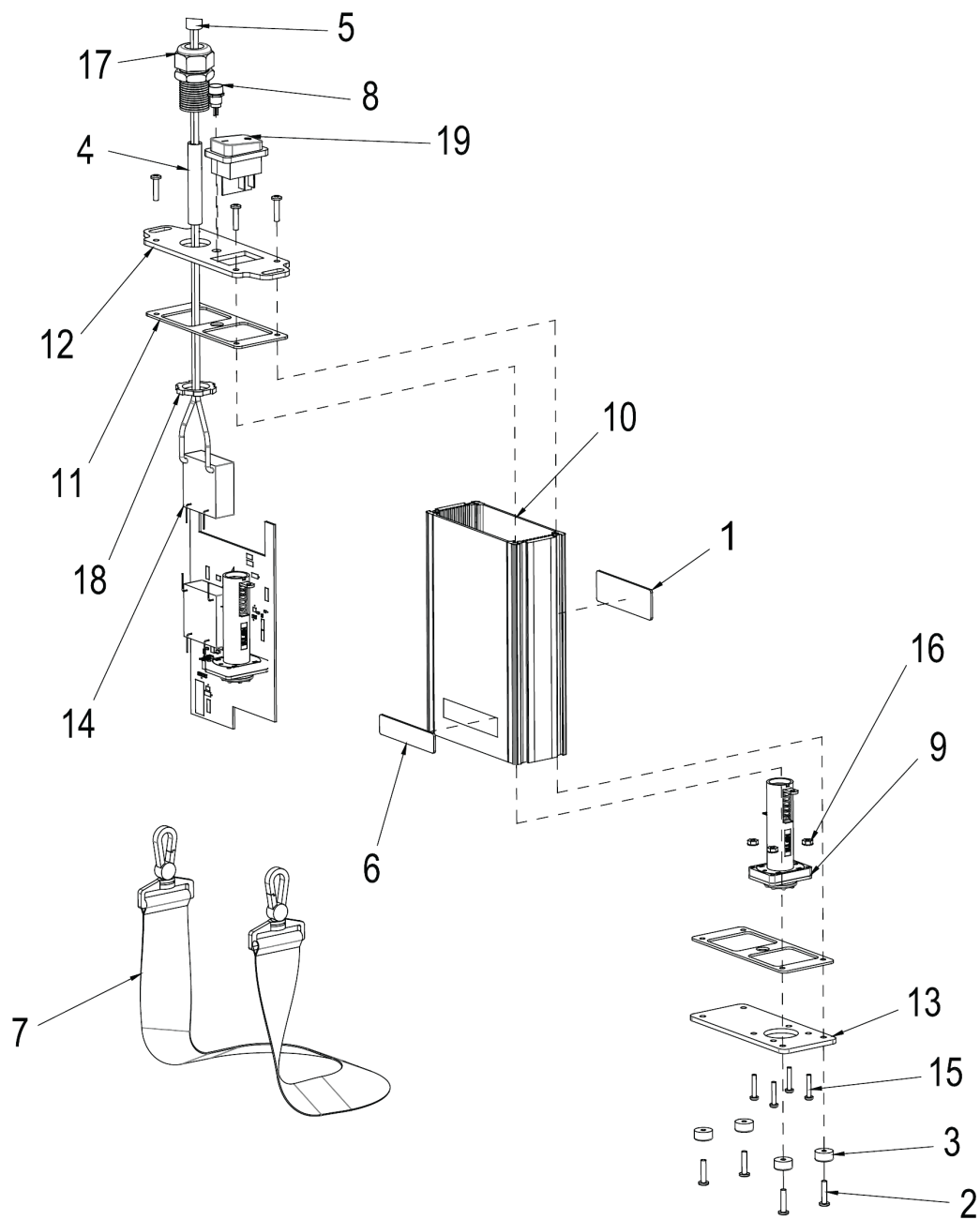
80 Kit spray gun electrostatic

POS	Article no.	Description	Quantity	Unit	Remark
10		Assembly group electrostatic spray gun	1	PC	
20		Assembly group electrostatic satchel	1	PC	
30	8.626-495.0	CABLE TIE, .19W X 11.5L BLK	1	PC	
40		Instruction sheet ES gun kit PS 4/7	1	PC	
50		Battery lithium primary 1.5V AA	2	PC	
60		Carton , 12"X10"X6"	1	PC	Needed only if Kit is purchased separately
70		Label shipping lithium UN3091	1	PC	Needed only if Kit is purchased separately
80		Label shipping cargo aircraft	1	PC	Needed only if Kit is purchased separately



10 Assembly group electrostatic spray gun

POS	Article no.	Description	Quantity	Unit
1	8.707-921.0	ADAPTER CAP FPT 1/4 BR	1	PC
2	8.709-511.0	AIR COUPLER PLUG 1/4' FPT STEE	1	PC
3	8.644-858.0	Screw 10-32 x .50 PPHMS nylon blk	3	PC
4	8.644-823.0	Adapter 1/4 MPT x 1/4 FPT SS	1	PC
5	8.644-816.0	Ring terminals 18-22AWG #6 non-ins	2	PC
6	8.644-806.0	O-ring seal .11 X .32 X .10 silicone	1	PC
7	8.644-805.0	O-ring seal .18 x .38 x .10 silicone	6	PC
8	8.644-804.0	Standoff 10-32 x .88 x .25 AL	1	PC
9	8.644-803.0	Screw 10-32 x .38 PPHMS nylon blk	3	PC
10	8.644-799.0	Retainer charge contact ring	1	PC
11	8.644-798.0	Holder charge contact ring	1	PC
12	8.644-797.0	Nozzle holder	1	PC
13	8.644-790.0	Label PS4-7 electrostatic sprayer	1	PC
14	8.644-781.0	Plate grounding	1	PC
15	8.644-744.0	Cover bottom	1	PC
16	8.644-743.0	Cover left	1	PC
17	8.644-742.0	Cover right	1	PC
18	8.644-714.0	O-ring seal .36 x .64 x .14 silicone	1	PC
19	8.644-713.0	O-ring seal 1.86 x 2.0 x .07 silicone	1	PC
20	8.644-712.0	O-ring seal .86 x 1.0 x .07 silicone	1	PC
21	8.644-539.0	Ring charge contact	1	PC
22	8.639-056.0	GUN, ASM, 1/4 TURN NOZZLE	1	PC
23	8.630-031.0	BUSHING, STRAIN RELIEF	1	PC
24	8.627-616.0	SCREW, 10-32 X .625 PHPNHMS STL BLKOX	1	PC
25	8.627-399.0	SCREW, 6-32 X .375 PHPNHMS SS	1	PC
26	8.617-091.0	SPRING, D8, 2-16 S0, 6	2	PC
27	8.600-695.0	SCREW, 10-32 X .5 PHPNHMS	1	PC
28	6.362-078.0	O-Ring seal 13,3x2,4	1	PC



20 Assembly group electrostatic satchel

POS	Article no.	Description	Quantity	Unit
10	5.385-517.0	Label signet glued L Professional	1	PC
20	8.644-826.0	Screw m3.5-.6x16 pph blk znplt	8	PC
30	8.644-813.0	Bumper .50 x .13 x .25 rubber	4	PC
40	8.644-808.0	Tube PVC .38" x .25" x 2.3"	1	PC
50	8.644-800.0	Insulation sheath coated fiberglass	1	PC
60	8.644-790.0	Label PS4-7 electrostatic sprayer	1	PC
70	8.644-782.0	Shoulder strap 55" w/ swivel hooks	1	PC
90	8.644-709.0	Battery holder AA	2	PC
100	8.644-707.0	Electrostatic enclosure	1	PC
110	8.644-704.0	Profile gasket endcap	2	PC
120	8.644-703.0	Plate upper endcap	1	PC
130	8.644-702.0	Plate lower endcap	1	PC
140	8.644-692.0	DC/DC Converter	1	PC
150	8.627-707.0	SCREW, 4-40 X .625 PHPNHMS STL ZNPLT	4	PC
160	8.627-128.0	Nut 4-40 HEXSTRW STL ZNPLT	4	PC
170	8.625-618.0	STRAIN RELIEF, 1/2 NPT (.48ID)	1	PC
180	8.600-567.0	NUT, 1/2-14 CONDUIT LK STL ZNPLT	1	PC
190	6.630-468.0	Switch on/off	1	PC

110 Serial Numbers PS 4.7 Bp OBC Mister

POS	Description	Quantity	Unit
10	SERIAL NUMBER PAGE	1	PC
