

## Table of contents

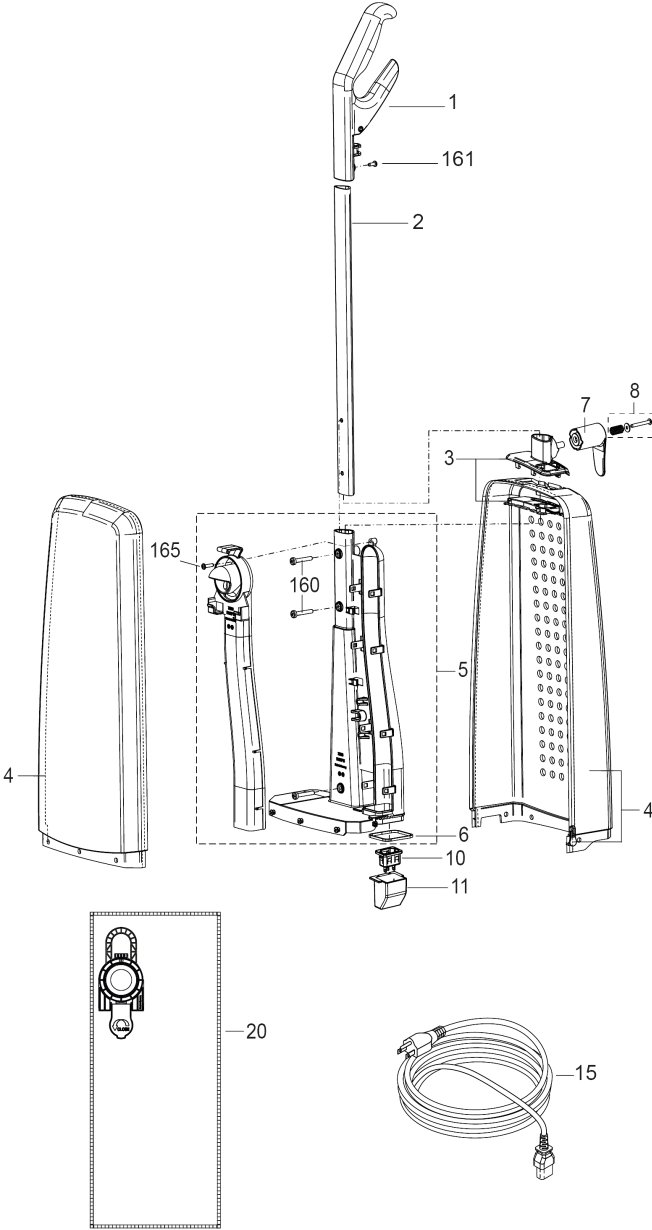
---

Ranger 12 120V/60Hz (1.012-900.0)	2
10 Filter Bag Housing - Ranger	3
20 Power Head - Ranger	5

Ranger 12 120V/60Hz (1.012-900.0)

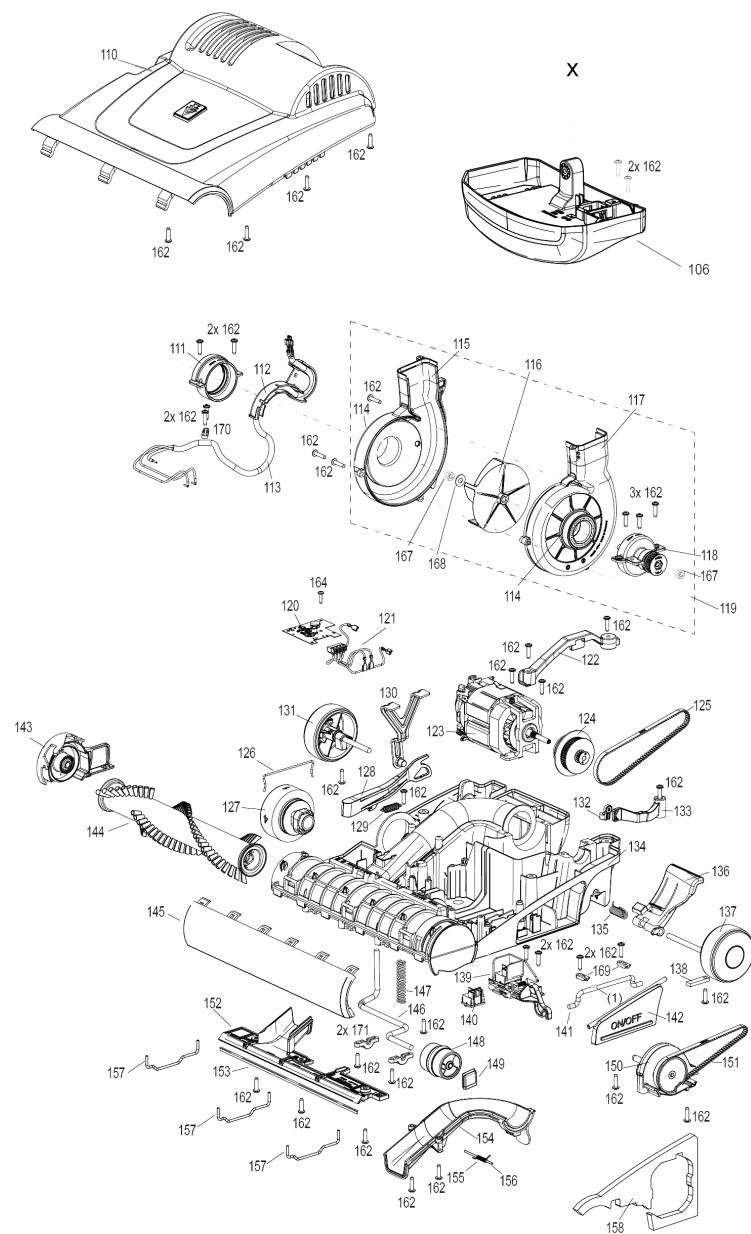
---

POS	Description	Quantity	Unit
10	Filter Bag Housing - Ranger	1	PC
20	Power Head - Ranger	1	PC



## 10 Filter Bag Housing - Ranger

POS	Article no.	Description	Quantity	Unit
1	8.645-295.0	Hand grip Ranger black	1	PC
2	8.645-296.0	Handle rod Ranger 557mm	1	PC
3	8.645-297.0	Handle guide Ranger black 2 pieces	1	PC
4	8.645-298.0	Filter compartment mounted Ranger	1	PC
5	8.645-299.0	Air guide mounted complete	1	PC
6	8.645-300.0	Seal 2x3x164mm	1	PC
7	8.645-301.0	Cable hook black	1	PC
8	8.645-302.0	Mounting set cable hook	1	PC
10	8.645-303.0	Mains connector 3-wire	1	PC
11	8.645-304.0	Protection cover gray black	1	PC
15	8.645-305.0	Power cable 3x18AWG US plug	1	PC
20	8.645-209.0	Vacuum bag sensor BP/Ranger 10 pack	1	PC
160	8.614-707.0	SCREW, M5 X 30 DIN7985A NP	1	PC
161	8.614-483.0	SCREW, M4 X 10	1	PC
165	8.636-337.0	SCREW M4 X 14	1	PC



## 20 Power Head - Ranger

POS	Article no.	Description	Quantity	Unit
106	8.645-309.0	Central assembly support black	1	PC
110	8.645-310.0	Top faceplate black Karcher	1	PC
111	8.645-311.0	Swivel neck support right hand	1	PC
112	8.645-312.0	Cable channel	1	PC
113	8.645-313.0	Swivel neck mains cable 3-wire	1	PC
114	8.645-314.0	Swivel neck support bushing	1	PC
115	8.645-315.0	Blower housing right hand gray black	1	PC
116	8.645-316.0	Rotor white	1	PC
117	8.645-317.0	Blower housing left hand gray black	1	PC
118	8.645-318.0	Swivel neck support left hand complete	1	PC
119	8.645-319.0	Blower swivel neck gray black assembled	1	PC
120	8.645-320.0	PCB 120V Ranger	1	PC
121	8.645-321.0	Motor mains cabling 2-wire	1	PC
122	8.645-322.0	Motor bridge light gray	1	PC
123	8.645-323.0	Motor 120V	1	PC
124	8.645-324.0	Sensor torque	1	PC
125	8.613-822.0	BELT, 333 3M HTDII-6	1	PC
126	8.645-325.0	Bracket latching	1	PC
127	8.645-326.0	Selector switch brush height yellow	1	PC
128	8.645-327.0	Slider height adjustment	1	PC
129	8.614-527.0	SPRING	1	PC
130	8.645-328.0	Support lever	1	PC
131	8.645-329.0	Wheel and axle assembly right hand black	1	PC
132	8.645-330.0	Magnet support assembled	1	PC
133	8.645-331.0	Magnet lever assembled	1	PC
134	8.645-332.0	Bottom Unit black yellow	1	PC
135	8.645-333.0	Spring foot pedal	1	PC
136	8.645-334.0	Foot pedal yellow	1	PC
137	8.645-335.0	Wheel with axle foot pedal lh black	1	PC
138	8.613-792.0	AXLE CLAMP	1	PC
139	8.645-336.0	Switching device unit assembled	1	PC
140	8.639-739.0	Switch	1	PC
141	8.645-337.0	Rod switching	1	PC

## 20 Power Head - Ranger

POS	Article no.	Description	Quantity	Unit
142	8.645-338.0	Button on/off zinc yellow	1	PC
143	8.645-339.0	Bearing block rh black	1	PC
144	8.600-495.0	BRUSH ROLLER 12"	1	PC
145	8.645-340.0	Bumper Ranger black	1	PC
146	8.645-341.0	Adjustment axle pile	1	PC
147	8.645-342.0	Spring pile adjustment	1	PC
148	8.645-343.0	Adjustment wheel pile assembled	1	PC
149	8.640-614.0	RUBBING PLATE, BLACK	1	PC
150	8.645-344.0	Bearing block lh	1	PC
151	8.645-345.0	Toothed belt 318 HTD 3M 6	1	PC
152	8.645-346.0	Base plate rear gray black	1	PC
153	8.645-347.0	Sealing strip 259 mm	1	PC
154	8.645-348.0	Cover air channel black/zinc yellow	1	PC
155	8.614-533.0	SPRING, ACCESS DOOR	1	PC