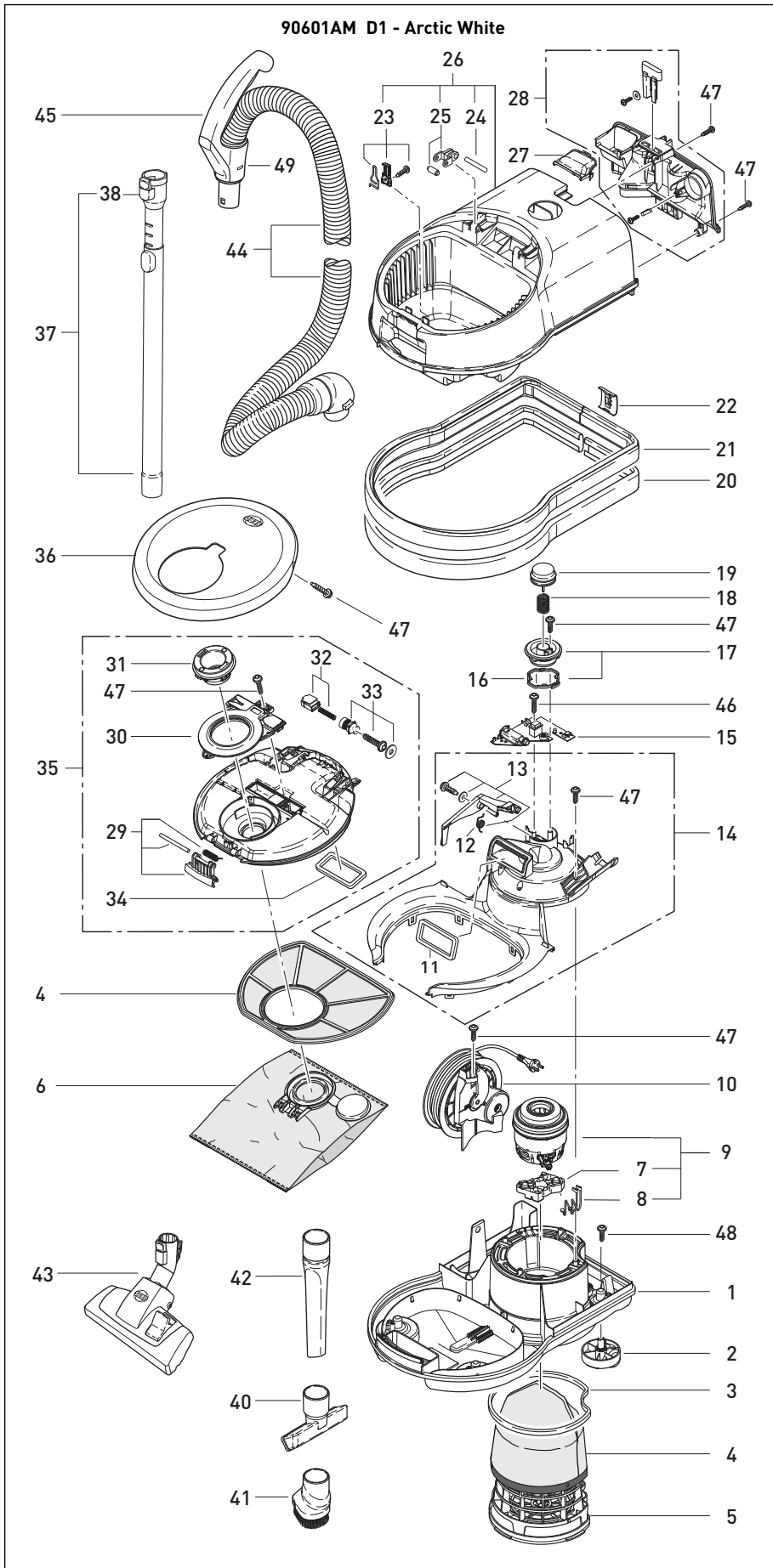


AIRBELT D1 SCHEMATIC AND PARTS LIST

Canister with Handle/Hose

90601AM D1 - Arctic White Machine

Pos.	Part #	Description
1	8001WEER	Bottom casing (2 & 3)
2	8086GS	Castor cpl.
3	8065ER	Micro filter seal
4	8191AM	Microfilter set a) Hospital-grade micro filter & b) Motor filter
5	8084ER	Micro filter holder
6	8120AM	Filter bag
7	8045ER	Motor support
8	8091AM	Internal cable set w/thermal cut-off
9	8048ER	1200W Vac motor (7 & 8)
10	665613E	Cord reel
11	8009	Motor inlet seal
12	8098ER	Rewind lever spring
13	8036ER	Rewind lever w/hardware (12)
14	8085ER	Motor cover cpl (11 & 13)
15	8102ER	Printed circuit board
16	8058ER	Retaining ring
17	8038ER2	Power display (16)
18	8057	Spring for power button
19	8202GS	Power knob
20	6047AM/01	AIRBELT cover, gray black
21	8033UL	Foam bumper
22	8034GS	AIRBELT clip
23	8140ER	Filter bag spring w/hardware
24	6750ER	Bag cover axle set
25	8052ER	Bag cover hinge (2 pcs) w/ axle
26	8003WEER	Top casing (23-25)
27	8059GS	Cable entry
28	8010GSER	Attachment holder cpl
29	8114ER	Bag cover release w/axle & spring
30	8129GS	Bag cover insert
31	8078GS	Hose neck
32	7020ER	Bag indicator w/spring
33	8127ER	Bag indicator adjuster w/hardware
34	8130	Bag cover seal
35	8051AM1	Inside cover cpl (29-34, 47)
36	8005WEA0	Bag cover
37	6237ER	Telescopic tube
38	1735ER	Release button cpl.
40	8142GS	Upholstery nozzle
41	8146ER	Dusting brush, horsehair
42	8066GS	Crevice nozzle
43	1397GS	KOMBI nozzle
44	8169GS	Hose w/end couplings incl. handle
45	6300GS	Handle grip cpl.
46	01000	Screw C 2.9x16
47	01036	Screw 4 x14
48	0102	Screw F 3.9x13
49	6303GS	Retaining ring



AIRBELT D4 PREMIUM SCHEMATIC AND PARTS LIST

90640AM D4 PREMIUM - Black (Onyx)
90641AM D4 PREMIUM - White

Canister with Handle/Hose

90641AM D4 PREMIUM - White Machine

Pos.	Part #	Description
1	8001WEER	Bottom casing (2 & 3)
2	8086	Castor cpl
3	8065ER	Micro filter seal
4	8191AM	Microfilter set a) Hospital-grade micro filter & b) Motor filter
5	8084ER	Micro filter holder
6	8120AM	Filter bag
7	8045ER	Motor support
8	8091AM	Internal cable set w/thermal cut-off
9	8048ER	1200W Vac motor (7 & 8)
10	665613E	Cord reel
11	8009	Motor inlet seal
12	8098ER	Rewind lever spring
13	8036ER	Rewind lever w/hardware (12)
14	8085ER	Motor cover cpl (11 & 13)
15	8106ER	PCB w/ switch
16	8058ER	Retaining ring
17	8038ER1	Power display (16)
18	8057	Spring for power button
19	8037GS	Power button
20	6047AM/01	AIRBELT cover (dark gray)
21	8033UL	Foam bumper
22	8034GS	AIRBELT clip
23	8140ER	Filter bag spring w/hardware
24	6750ER	Bag cover axle set
25	8052ER	Bag cover hinge (2 pcs) w/ axle
26	8003WEER	Top casing (23-25)
27	8059GS	Cable entry
28	8010PRER	Attachment holder cpl
29	8114ER	Bag cover release w/axle & spring
30	8129GS	Bag cover insert
31	8079ER	Hose neck w/ wiring (50)
32	7020ER	Bag indicator w/spring
33	8127ER	Bag indicator adjuster w/hardware
34	8130	Bag cover seal
35	8051AM4	Inside cover cpl (29-34, 47 & 50)
36	8005WEA2	Bag cover
37	6270GS	Telescopic tube (38&39)
38	6420GS	Release button, leaf spring & cap
39	6421GS	Slider button w/hardware
40	8142GS	Upholstery nozzle
41	8146ER	Dusting brush, horsehair
42	8066GS	Crevice nozzle
43	6391DA	Parquet nozzle
44	5266	Cable clamp
45	8119AM	7' hose with handle
46	01000	Screw C 2.9 x 16
47	01036	Screw 4 x 14
48	0102	Screw F 3.9 x 13
49	8160	Internal cable
50	8093	Hose neck wiring
51	8038ER4	Power display (16,17 & 52)
52	8108ER	PCB w/lights
53	6369G2	Mains cable - 160 mm

90640AM D4 PREMIUM - Black (Onyx) Machine Exceptions

1	8001SWER	Bottom casing (2)
20	6047AM/02	AIRBELT cover (silver)
26	8003SWER	Top casing (23-25)
36	8005SWA2	Bag cover

