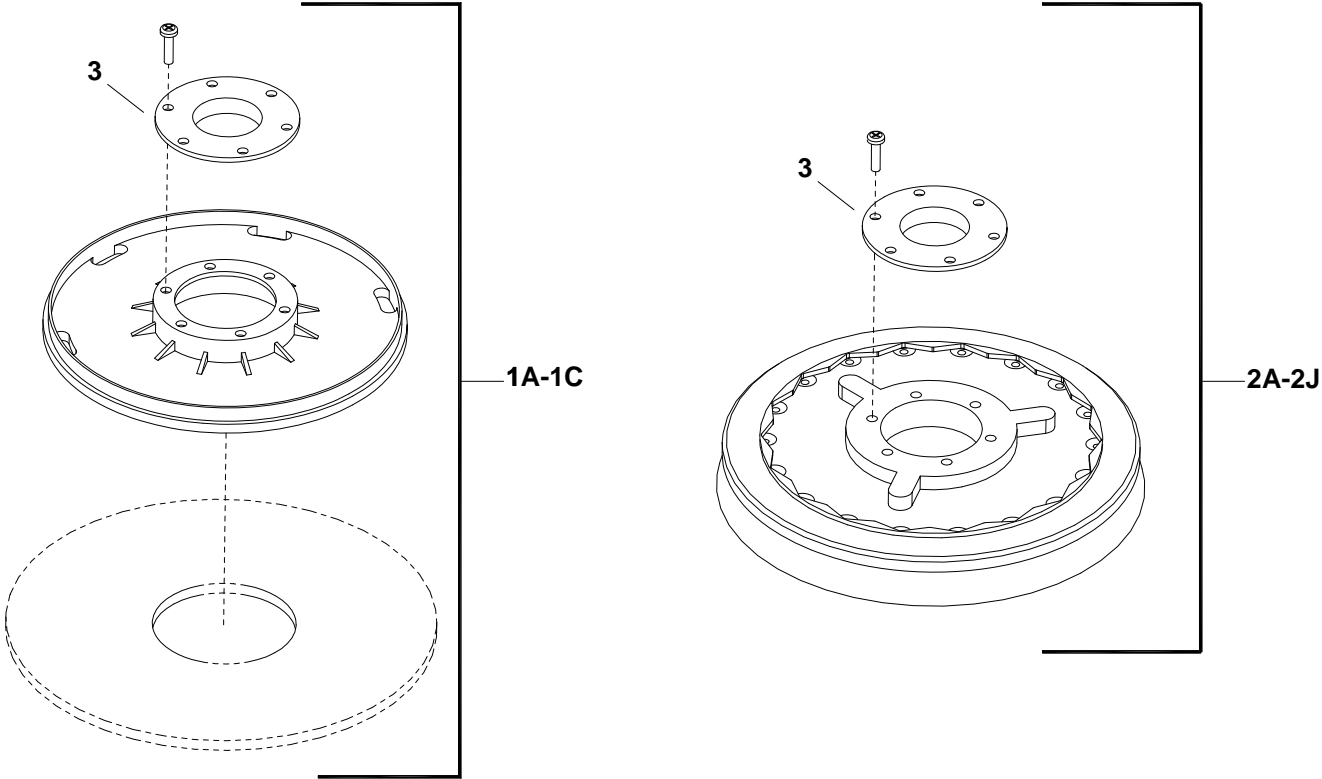


PARTS

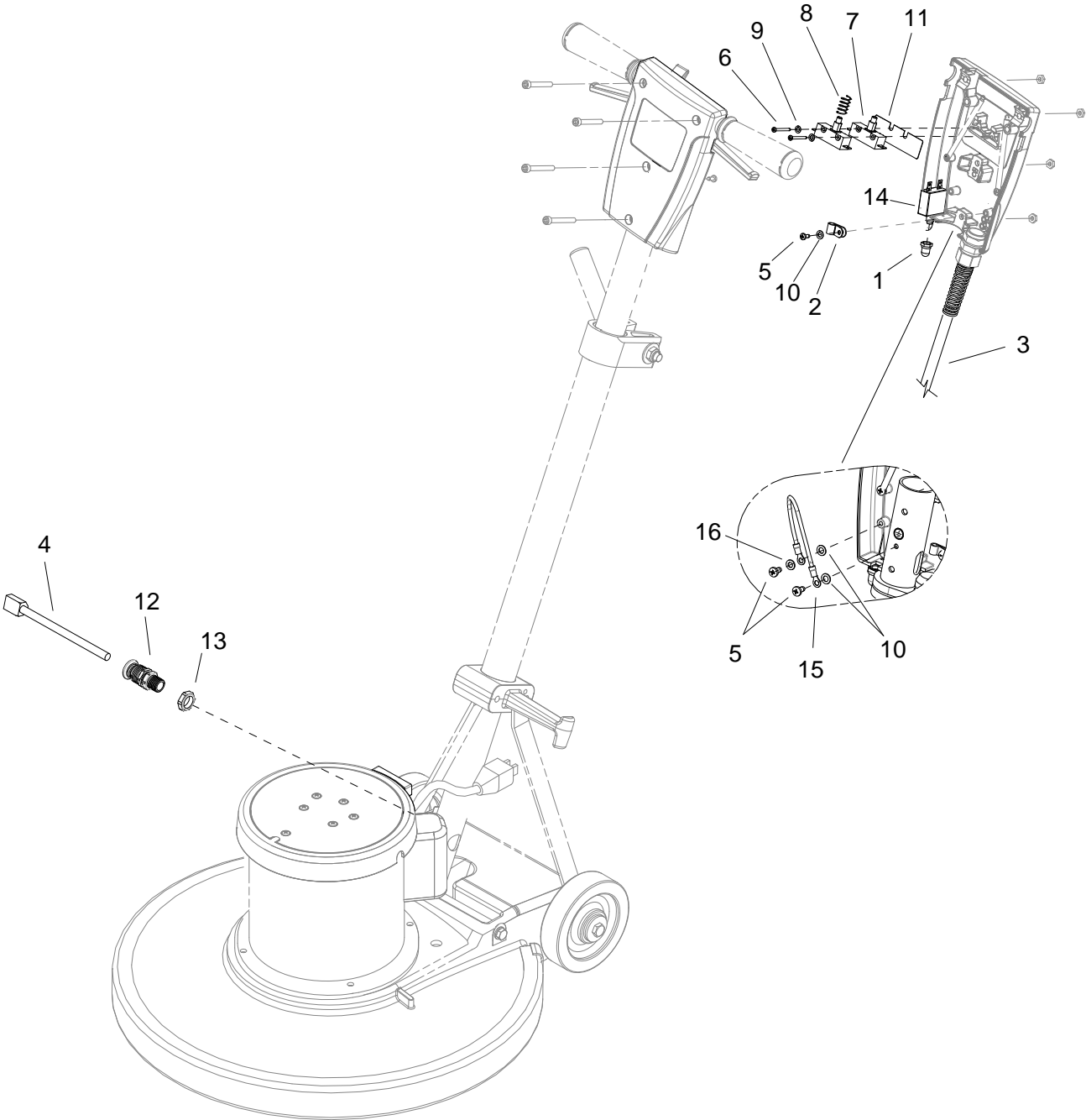
BRUSH/PAD DRIVER



BRUSH/PAD DRIVER

REF	PART NO.	PRV NO.	QTY	DESCRIPTION	SERIAL NO. FROM	NOTES:
1A	86000120	02218	-	PAD DRIVER, 17" POLISHER		
1B	86284290	02217	-	PAD DRIVER, 19" HS		
1C	86284300	02219	-	PAD DRIVER, 20" POLISHER		
2A	86000140	02242	-	BRUSH, 17" NYL. POL. W/CLT.PLT		
2B	86283800	02240	-	BRUSH, 17" NYL.SCRUB W/CLT.PLT		
2C	86000130	02241	-	BRUSH, 17" MILD GRIT W/CLT.PLT		
2D	86283710	02205	-	BRUSH, 17" AGG. MALGRIT W/C.P		
2E	86000110	02206	-	BRUSH, 17" POLYPRO W/CLT. PLT		
2F	86283790	02239	-	BRUSH, 20" NYL.POL.W/CLT.PLT.SFT		
2G	86283770	02237	-	BRUSH, 20" NYL.SCRUB W/CLT.PLT		
2H	86283780	02238	-	BRUSH, 20" MILD GRIT W/CLT.PLT		
2I	86283690	02202	-	BRUSH, 20" AGG. MALGRIT W/C.P.		
2J	86283700	02203	-	BRUSH, 18" POLYPRO W/CLT. PLT		
3	86284350	02220	-	PLATE, PAD CLUTCH		

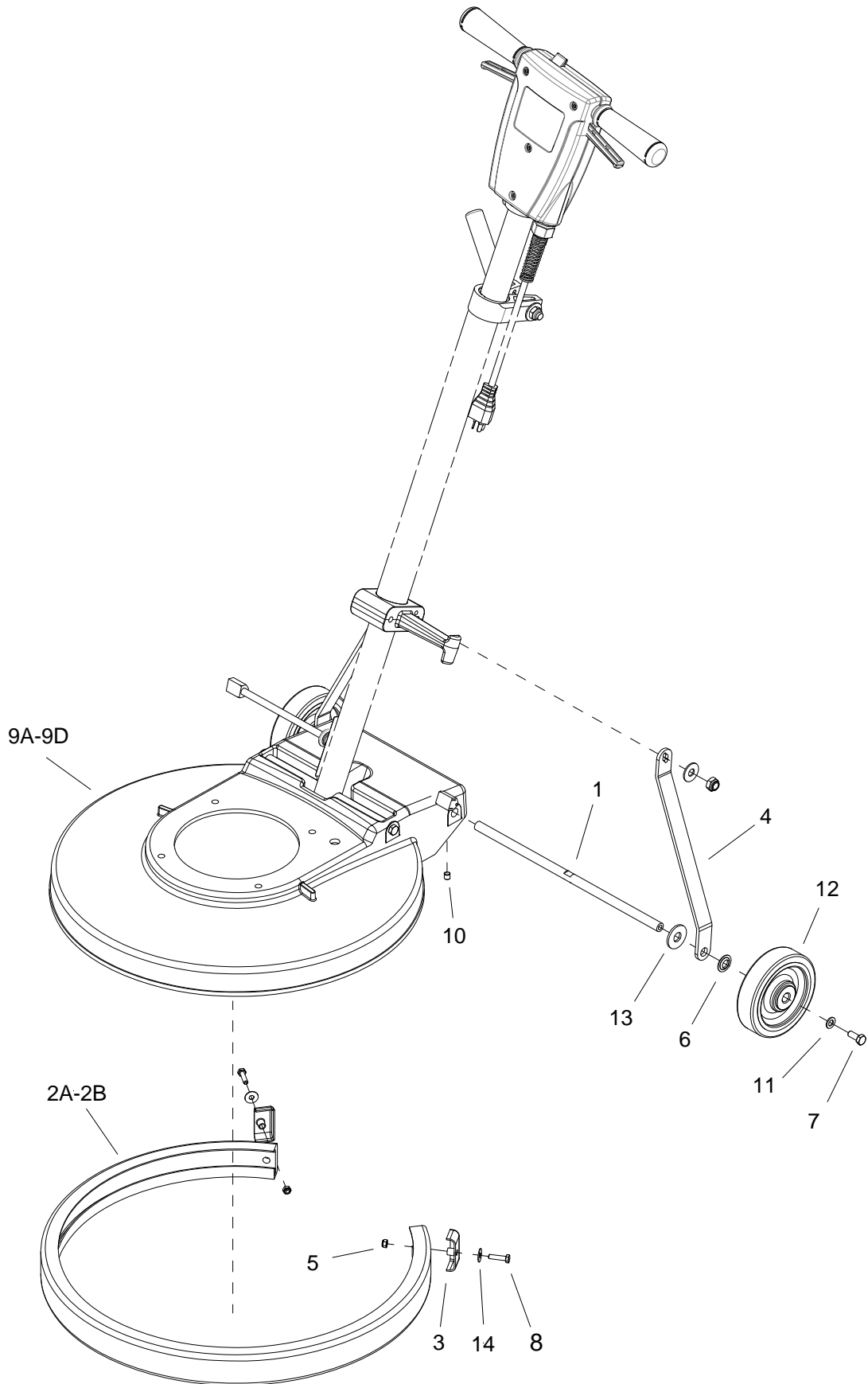
ELECTRICAL



ELECTRICAL

REF	PART NO.	PRV NO.	QTY	DESCRIPTION	SERIAL NO. FROM	NOTES
1	86002010	14942	1	BOOT, 3/8 CIRCUIT BREAKER		
2	86198450	20005	1	CLAMP, 5/16 NYLON		
3	86369090	-	1	CORD SET, ST, 14/50', YLW		
4	86216920	23206	1	CORDSET, 14/3 X 52 IN, SJT, BLK		
5	86288450	70689	3	SCR, M4.8 X 10 HHTF TYPE B		
6	86136780	70801	2	SCR, M3.5 X 40 PHTF		
7	86007110	72123	2	SWITCH, 25A SPST 125-250V SNAP		
8	86224750	73993	1	SPRING, COMP, .48OD X .91		
9	86137290	87057	2	WASHER, M4 LOCK		
10	86137330	87208	3	WASHER, M5 LOCK		
11	86215140	140674	1	BARRIER SHEET		
12	86224930	730012	1	STRAIN RELIEF, 14/3 STRAIGHT		
13	86224300	730021	1	SPACER, POLISHER HANDLE		
14	86312460	-	1	BREAKER, 14A, VDE CIRCUIT		
15	86352480	-	1	WIRE, 14AWG, #10R X #10R, YLW W/GRN		
16	86173350	-	1	WASHER, M5, FLAT, ISO7089, SS		

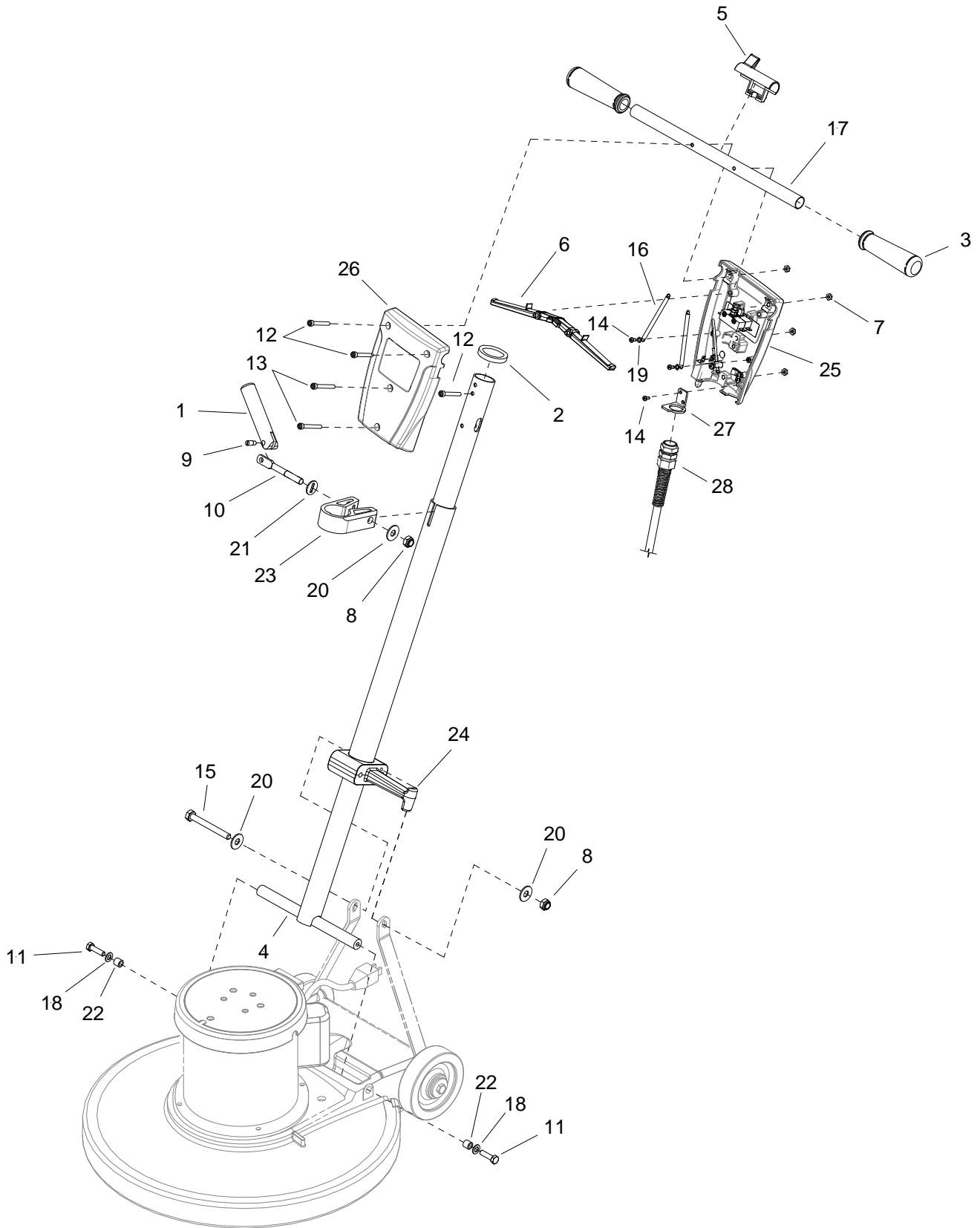
DECK



DECK

REF	PART NO.	PRV NO.	QTY	DESCRIPTION	SERIAL NO. FROM	NOTES
1	86214930	03111	1	AXLE, MAIN POLISHER		
2A	86216340	14372	-	BUMPER, EXTRUSION 41.0"		BDS 43/175 C
2B	86216350	14373	-	BUMPER, EXTRUSION 50.8"		BDS 51/175 C, BDS 51/175-300 C
3	86216600	27871	2	CAP, EXTRUSION		
4	86428660	-	2	LINK, HANDLE ADJUST		
5	86271550	57220	2	NUT, M6 X 1 NYLOCK		
6	86222270	57276	2	NUT, PUSH FLAT RD .51 ID		
7	86133340	70262	2	SCR, M8-1.25 X 20 HHMS PLTD		
8	86276570	70691	2	SCR, M6 X 25 HHCS		
9A	86288960	29213GRY	1	DECK, 17 IN POLISHER, GRAY		BDS 43/175 C
9B	86288970	29214GRY	1	DECK, 20 IN POLISHER, GRAY		BDS 51/175 C, BDS 51/175-300 C
10	86288740	70709	1	SET SCR, 8MMX1.25X8MM CUP PT		
11	86137280	87054	2	WASHER, M8 FLAT DIN125A PLT		
12	86226020	89206	2	WHEEL, 5D X 1.25 X 13MMID GRY		
13	86225720	87203	2	WASHER, 14MMID X 36MMOD		
14	86137340	87211	2	WASHER, M6 FLAT BLK		

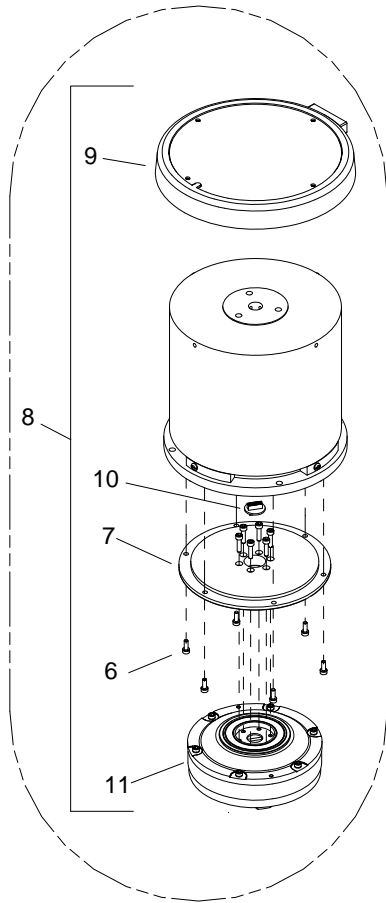
HANDLE



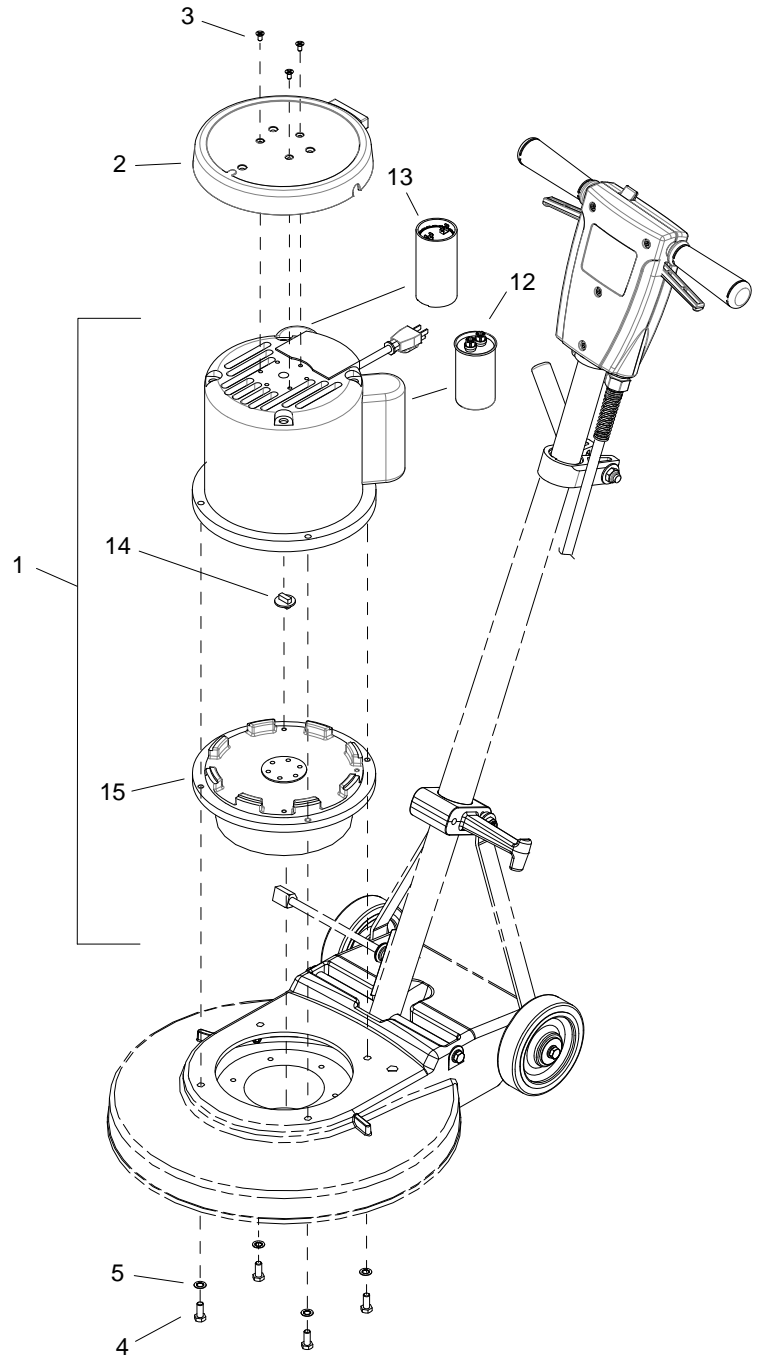
HANDLE

REF	PART NO.	PRV NO.	QTY	DESCRIPTION	SERIAL NO. FROM	NOTES
1	86215130	14344	1	BAR, HANDLE ADJUST		
2	86366010	-	1	BUMPER, FLOOR MACHINE		
3	86004070	36196	2	GRIP, POLISHER HANDLE		
4	86218440	38290	1	HANDLE, POLISHER		
5	86005150	51326	1	LOCK, SAFETY HANDLE		
6	86005160	51327	2	LEVER, SWITCH		
7	86136350	57274	4	NUT, M6 HEX FINISH		
8	86136360	57275	2	NUT, M10 X 1.5 HEX NYLOK PLTD		
9	86222560	66334	1	PIN, PIVOT, HANDLE ADJUST		
10	86223550	67430	1	ROD, HANDLE ADJUST		
11	86274230	70135	2	SCR, M8 X 30 HHMS		
12	86136670	70686	3	SCR, M6 X 45 SHCS, BLK		
13	86136680	70687	2	SCR, M6 X 50 SHCS, BLK		
14	86288450	70689	3	SCR, M4.8 X 10 HHTF TYPE B		
15	86136720	70701	1	SCR, M10 X 1.50 X 90 HHCS PLTD		
16	86224740	73990	2	SPRING, EXT, .50D X 3.5L		
17	86225370	78437	1	TUBE, GRIP HANDLE		
18	86137280	87054	2	WASHER, M8 FLAT DIN15A PLT		
19	86279080	87058	2	WASHER, M4 FLAT DIN125A PLT		
20	86010720	87086	3	WASHER, M10 X 30 PLTD		
21	86225710	87202	1	WASHER, BEARING (HANDLE ADJ)		
22	86224290	730008	2	SPACER, .317ID X .50D X .44LG		
23	86310950	-	1	CLAMP, HANDLE		
24	86311800	-	1	TUBE ASSY, HANDLE ADJ.		
25	86365950	-	1	HOUSING, FM HANDLE, REAR		
26	86365960	-	1	HOUSING, FM HANDLE, FRONT		
27	86368870	-	1	BRKT, STRAIN RELIEF MT		
28	86365780	-	1	STRAIN RELIEF, METAL, LARGE		

MOTOR



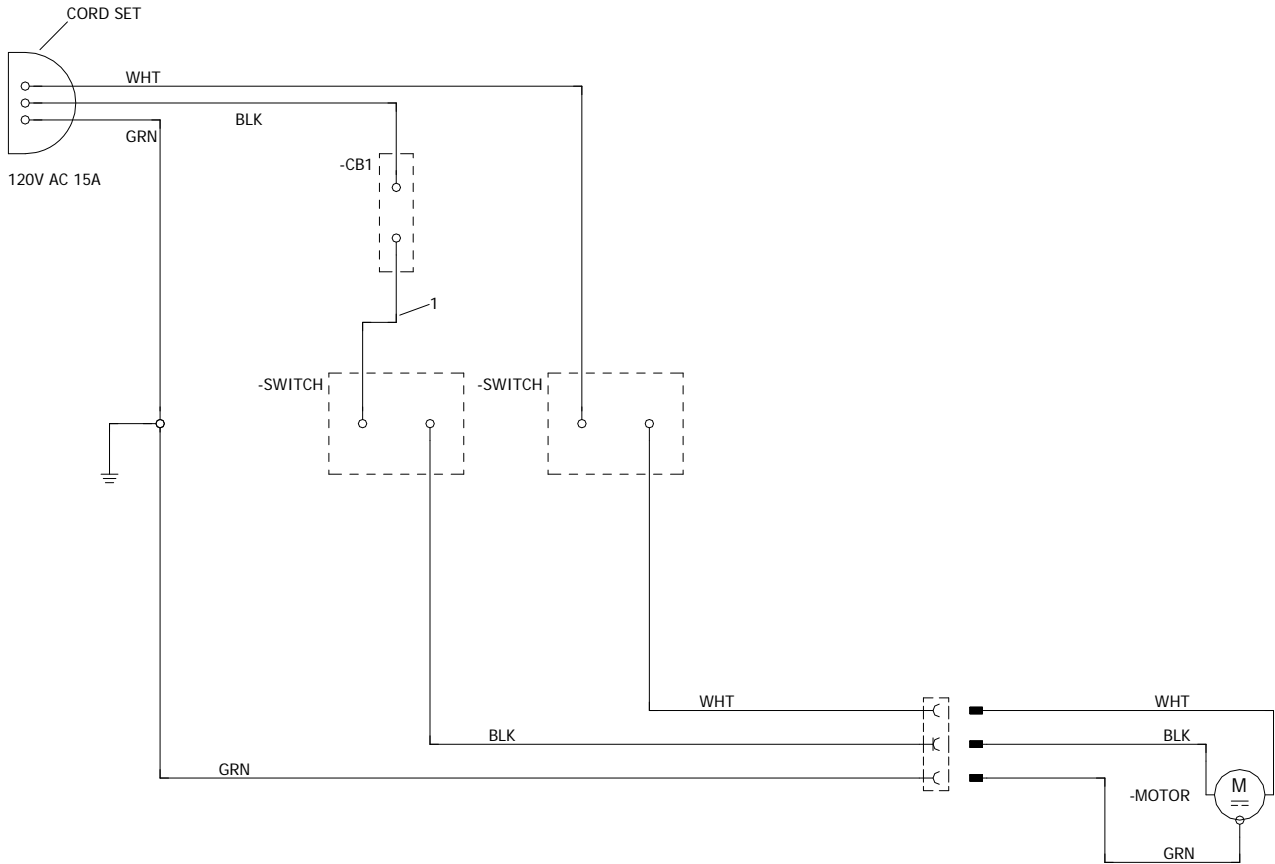
DUAL SPEED ONLY



MOTOR

REF	PART NO.	PRV NO.	QTY	DESCRIPTION	SERIAL NO. FROM	NOTES
1	86378300	-	1	MOTOR, ASM, 1.5 HP 120VAC		BDS 43/175 C, BDS 51/175 C
2	86217490	27884	1	COVER, MOTOR		BDS 43/175 C, BDS 51/175 C
3	86223690	70702	3	SCR, M5 X .8 X 15MM BLK		
4	86136710	70698	4	SCR, 5/16-18 X 3/4 HHCS GR5 BLK		
5	86279090	87067	4	WASHER, 5/16 LOCK INT STAR PLT		
6	86223700	70723	6	SCR, M5 X .8 X 15MM SHCS BLK		BDS 51/175-300 C
7	86223030	62917	1	PLATE, ADAPTER POLISHER MOTOR		BDS 51/175-300 C
8	86312290	-	1	MOTOR, 115V, 1.75HP 175/300RPM		BDS 51/175-300 C
9	86217500	27892	1	COVER ASM, MOTOR		BDS 51/175-300 C
10	86135540	27352	1	COUPLING, MTR/GEAR BOX PLSHER		BDS 51/175-300 C
11	86348280	-	1	GEARBOX, POLISHER		BDS 51/175-300 C
12	86377940	-	1	CAPACITOR, RUN, 60uF, 250VAC		BDS 43/175 C, BDS 51/175-300 C
13	86377950	-	1	CAPACITOR, START, 450uF, 165VAC		BDS 43/175 C, BDS 51/175-300 C
14	86377960	-	1	COUPLING, SHEAR		BDS 43/175 C, BDS 51/175 C
15	86377970	-	1	GEARBOX, POLISHER		BDS 43/175 C, BDS 51/175 C

WIRING-120V



REF	PART NO.	PRV NO.	QTY	DESCRIPTION	SERIAL NO. FROM	NOTES:
1	86311830	-	1	WIRE, 125MM, BLK/14, 76029X76029		

SUGGESTED SPARE PARTS

PART NO.	PRV NO.		SERIAL NO. FROM	NOTES:
86225710	87202	WASHER, BEARING (HANDLE ADJ)		
86224740	73990	SPRING, EXT .5 OD X 3.5L		
86224750	73993	SPRING, COMP .48 OD X .91 L		
86007110	72123	SWITCH. 25A SPST 125-250V SNAP		
86215130	14344	BAR, HANDLE ADJ		
86222560	66334	PIN, PIVOT, HANDLE ADJ		
86223550	67430	ROD, HANDLE ADJ		
86003660	34378	FUSE		BDS 51/175-300 C
86003670	34379	FUSE HOLDER		BDS 51/175-300 C
86135540	27352	COUPLING, MTR/GEAR BOX PLSHER		BDS 51/175-300 C
86223390	67488	RECTIFIER, 50A 600V BRIDGE		BDS 51/175-300 C
86312460	-	BREAKER, 14A, VDE CIRCUIT		BDS 51/175-300 C
86377960	-	COUPLING, SHEAR		BDS 43/175 C BDS 51/175 C