

## **Spare parts list**

(1.008-058.0) BRC 30/15 C, 120V

## Table of contents

---

|   |    |
|---|----|
| BRC 30/15 C, 120V (1.008-058.0)                 | 3  |
| Spare parts list BRC 30/15 C 120V (5.973-823.0) | 4  |
| 10 Individual parts                             | 5  |
| 11 Handhold                                     | 6  |
| 12 Frame  | 9  |
| 20 Tank   | 11 |
| 30 Control console                              | 13 |
| 40 Turbine                                      | 15 |
| 50 Chemistry pump                               | 17 |
| 60 Power brush                                  | 19 |

BRC 30/15 C, 120V (1.008-058.0)

---

| <b>POS</b> | <b>Article no.</b> | <b>Description</b>                | <b>Quantity</b> | <b>Unit</b> |
|------------|--------------------|-----------------------------------|-----------------|-------------|
| 0          | 5.973-823.0        | Spare parts list BRC 30/15 C 120V | 1.000           | ST          |

Spare parts list BRC 30/15 C 120V (5.973-823.0)

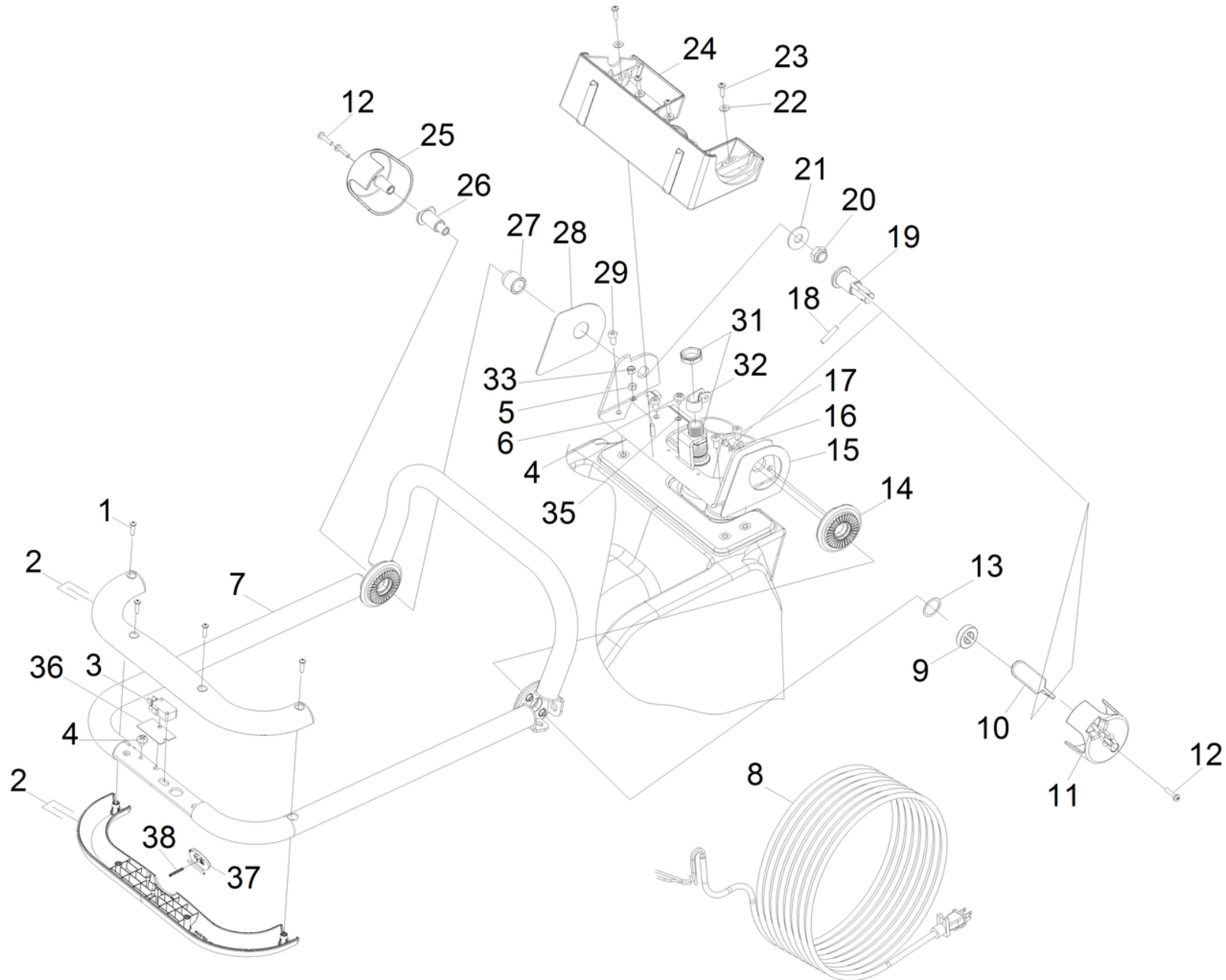
---

| <b>POS</b> | <b>Description</b> | <b>Quantity</b> | <b>Unit</b> |
|------------|--------------------|-----------------|-------------|
| 10         | Individual parts   | 1.000           | ST          |
| 20         | Tank               | 1.000           | ST          |
| 30         | Control console    | 1.000           | ST          |
| 40         | Turbine            | 1.000           | ST          |
| 50         | Chemistry pump     | 1.000           | ST          |
| 60         | Power brush        | 1.000           | ST          |

## 10 Individual parts

---

| <b>POS</b> | <b>Description</b> | <b>Quantity</b> | <b>Unit</b> |
|------------|--------------------|-----------------|-------------|
| 11         | Handhold           | 1.000           | ST          |
| 12         | Frame              | 1.000           | ST          |



11 Handhold

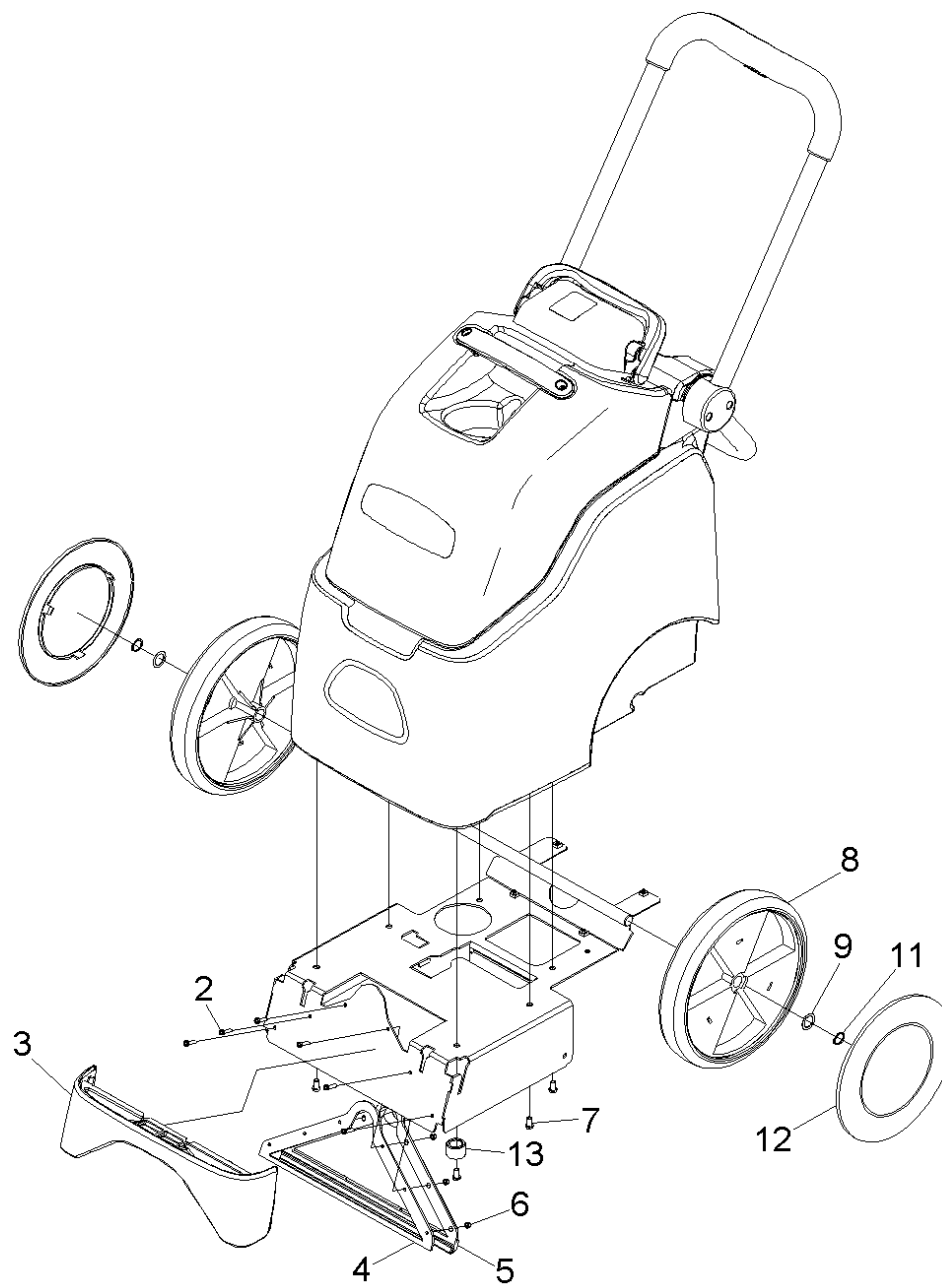
| POS | Article no. | Description                              | Quantity | Unit | Remark |
|-----|-------------|--|----------|------|--------|
| 1   | 8.617-314.0 | SCREW, KA40 X 10 OVHCS STL WIN1412 ZNPLT | 4.000    | ST   |        |
| 2   | 8.630-857.0 | KIT, HANDLE GRIP                         | 1.000    | ST   |        |
| 3   | 8.622-514.0 | SWITCH, MICRO TONELUCK                   | 1.000    | ST   |        |
| 4   | 8.600-677.0 | SCREW, 10-32 X .25 PHPNHTF STL ZNPLT     | 2.000    | ST   |        |
| 5   | 8.627-080.0 | NUT, 10-32 HEX SS                        | 1.000    | ST   |        |
| 6   | 8.601-064.0 | Washer #10 LOCK EXT STAR SS              | 2.000    | ST   |        |
| 7   | 8.629-879.0 | WELMENT, HANDLE TUBE                     | 1.000    | ST   |        |
| 8   | 8.636-084.0 | CORD ASM, 14X3, 25' PSE, MPRO            | 1.000    | ST   | /*JP   |
| 8   |             | CORD ASM, 14X3 SJTX25' MPRO              | 1.000    | ST   |        |
| 9   | 8.629-255.0 | BUSHING, HANDLE LOCK                     | 1.000    | ST   |        |
| 10  | 8.629-661.0 | LEVER, CAM HANDLE                        | 1.000    | ST   |        |
| 11  | 8.634-714.0 | COVER, HANDLE HUB, LEFT, YLW             | 1.000    | ST   |        |
| 12  | 8.627-760.0 | SCREW, M4 X 20 PHMS SS ISO7045           | 3.000    | ST   |        |
| 13  | 8.629-662.0 | WASHER, .M19.8 X 25 X .2 STL ZNPLT       | 1.000    | ST   |        |
| 14  | 8.621-946.0 | HUB, HANDLE SPLINE                       | 1.000    | ST   |        |
| 15  | 8.621-822.0 | GASKET, CONTROL BOX LEFT                 | 1.000    | ST   |        |
| 16  | 8.617-332.0 | WASHER, M4 FLT SS DIN125                 | 3.000    | ST   |        |
| 17  | 8.617-303.0 | SCREW, M4 X 6 PNHMS ISO7045 ZNPLT        | 3.000    | ST   |        |
| 18  | 8.629-663.0 | PIN, DOWEL M5 X 25 STL ZNPLT             | 1.000    | ST   |        |
| 19  | 8.629-256.0 | SHAFT, HANDLE LOCK                       | 1.000    | ST   |        |
| 20  | 8.622-234.0 | NUT, M12 LK SS ISO7040                   | 1.000    | ST   |        |
| 21  | 8.625-943.0 | WASHER, M12 FLT                          | 1.000    | ST   |        |
| 22  | 8.628-868.0 | WASHER, M5 RIVET BACKUP                  | 4.000    | ST   |        |
| 23  | 8.617-287.0 | SCREW, M4 X 14 PHMS SS ISO7045           | 4.000    | ST   |        |
| 24  | 8.621-735.0 | COVER, CONTROLS BOTTOM                   | 1.000    | ST   |        |
| 25  | 8.621-738.0 | COVER, TUBE HUB RIGHT                    | 1.000    | ST   |        |
| 26  | 8.622-414.0 | SHAFT, HANDLE                            | 1.000    | ST   |        |
| 27  | 8.622-446.0 | SPACER, HANDLE BUSHING                   | 1.000    | ST   |        |
| 28  | 8.621-823.0 | GASKET, CONTROL BOX RIGHT                | 1.000    | ST   |        |
| 29  | 8.617-322.0 | SCREW, M6-1 X 12 FLGBTNHMS SS            | 4.000    | ST   |        |
| 31  | 8.622-493.0 | STRAIN RELIEF, 14/3 STRAIGHT             | 1.000    | ST   |        |
| 32  | 8.623-317.0 | Clamp 3/8 NYLON UL/CSA                   | 1.000    | ST   |        |
| 33  | 8.600-564.0 | NUT, 10-32 HEX NYLOCK STL GR2 ZNPLT      | 1.000    | ST   |        |

## 11 Handhold

---

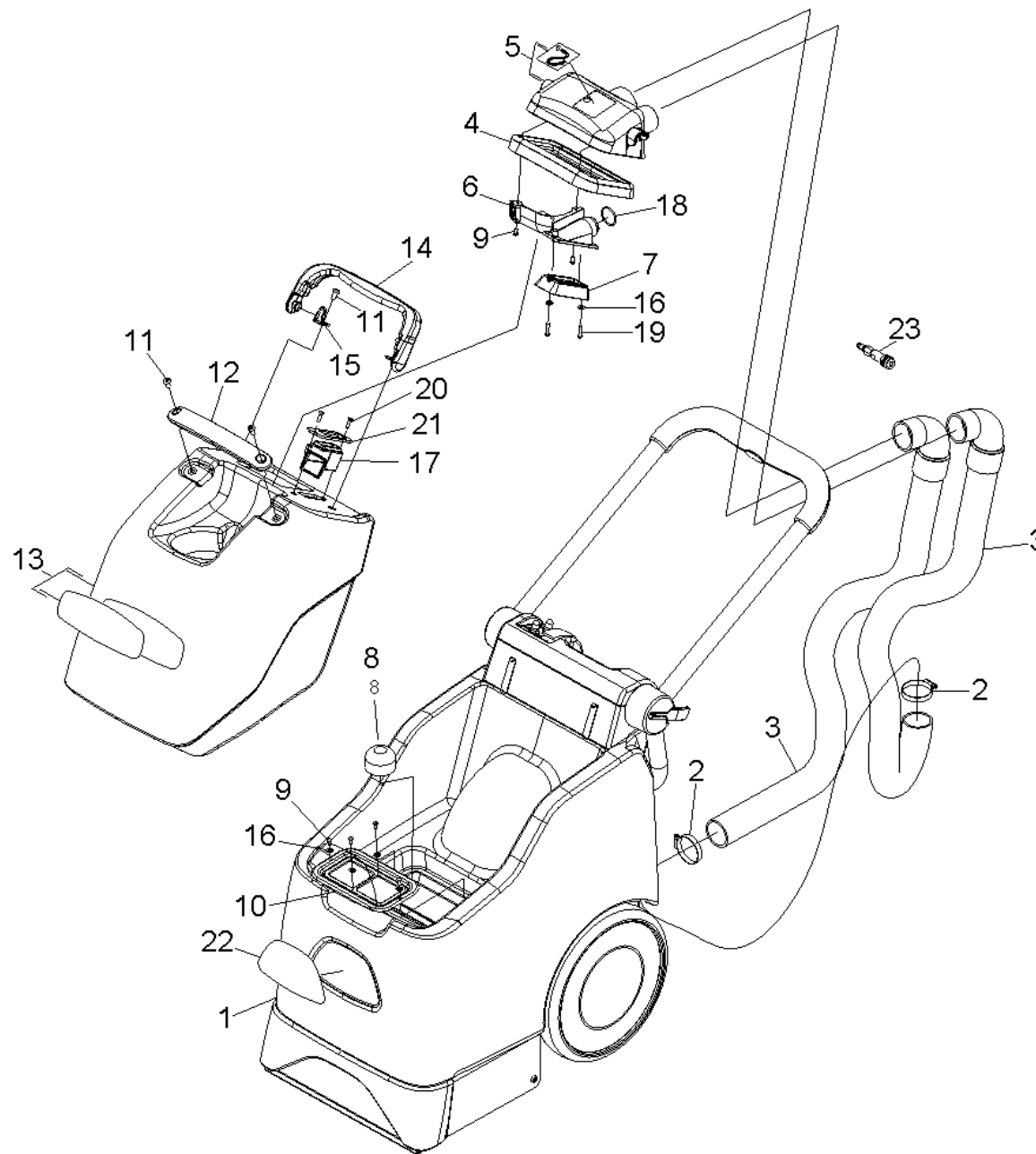
| <b>POS</b> | <b>Article no.</b> | <b>Description</b>          | <b>Quantity</b> | <b>Unit</b> | <b>Remark</b> |
|------------|--------------------|-----------------------------|-----------------|-------------|---------------|
| 35         | 8.601-064.0        | Washer #10 LOCK EXT STAR SS | 2.000           | ST          |               |
| 36         |                    | SHIELD, MICROSWITCH         | 1.000           | ST          |               |
| 37         | 8.621-647.0        | BUTTON, SPRAY HANDLE        | 1.000           | ST          |               |
| 38         | 8.622-465.0        | SPRING, BUTTON              | 1.000           | ST          |               |





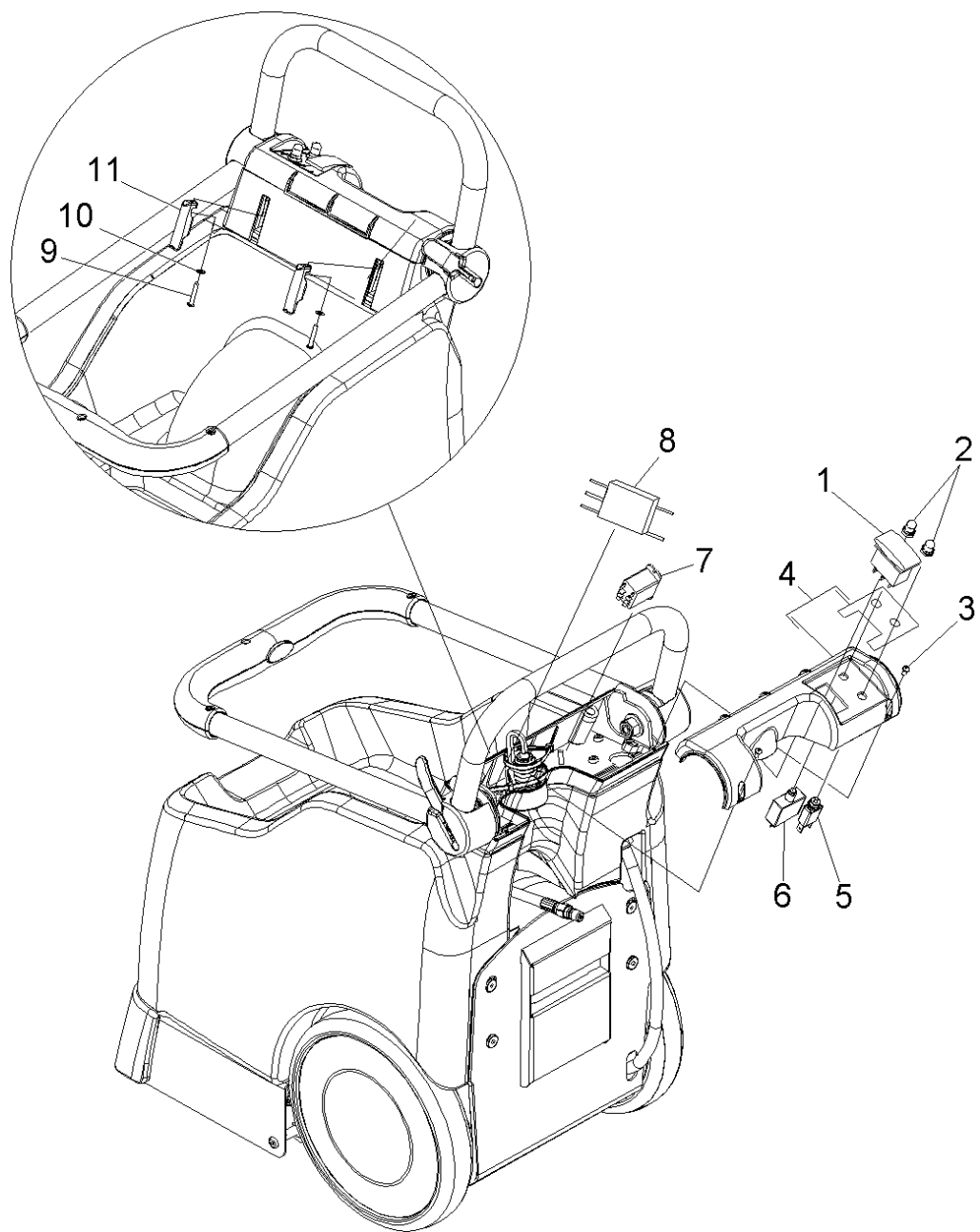
## 12 Frame

| POS | Article no. | Description                      | Quantity | Unit |
|-----|-------------|----------------------------------|----------|------|
| 2   | 8.617-301.0 | SCREW, M4 X 16 SCHCS SS ISO4762  | 6.000    | ST   |
| 3   | 8.621-629.0 | BUMPER, MINIPRO                  | 1.000    | ST   |
| 4   | 8.621-809.0 | GASKET, VAC SHOE MINIPRO         | 1.000    | ST   |
| 5   | 8.622-553.0 | VAC SHOE, 12"                    | 1.000    | ST   |
| 6   | 8.617-263.0 | NUT, M4X.7 LK ISO7040 SS         | 6.000    | ST   |
| 7   | 8.617-322.0 | SCREW, M6-1 X 12 FLGBTNHMS SS    | 6.000    | ST   |
| 8   | 8.622-605.0 | WHEEL, 9.75" X 1.5"              | 2.000    | ST   |
| 9   | 8.601-188.0 | WASHER, 16.2 X 23 X .6 STL ZNPLT | 2.000    | ST   |
| 10  | 8.621-498.0 | AXLE, 5/8 WHEEL MINI PRO         | 1.000    | ST   |
| 11  | 8.627-275.0 | RING, 5/8 EXTERNAL SNAP          | 2.000    | ST   |
| 12  | 8.630-007.0 | HUBCAP, 9.75" WHEEL, BLACK       | 2.000    | ST   |
| 13  | 8.629-113.0 | BUMPER, BRUSH DECK               | 1.000    | ST   |



## 20 Tank

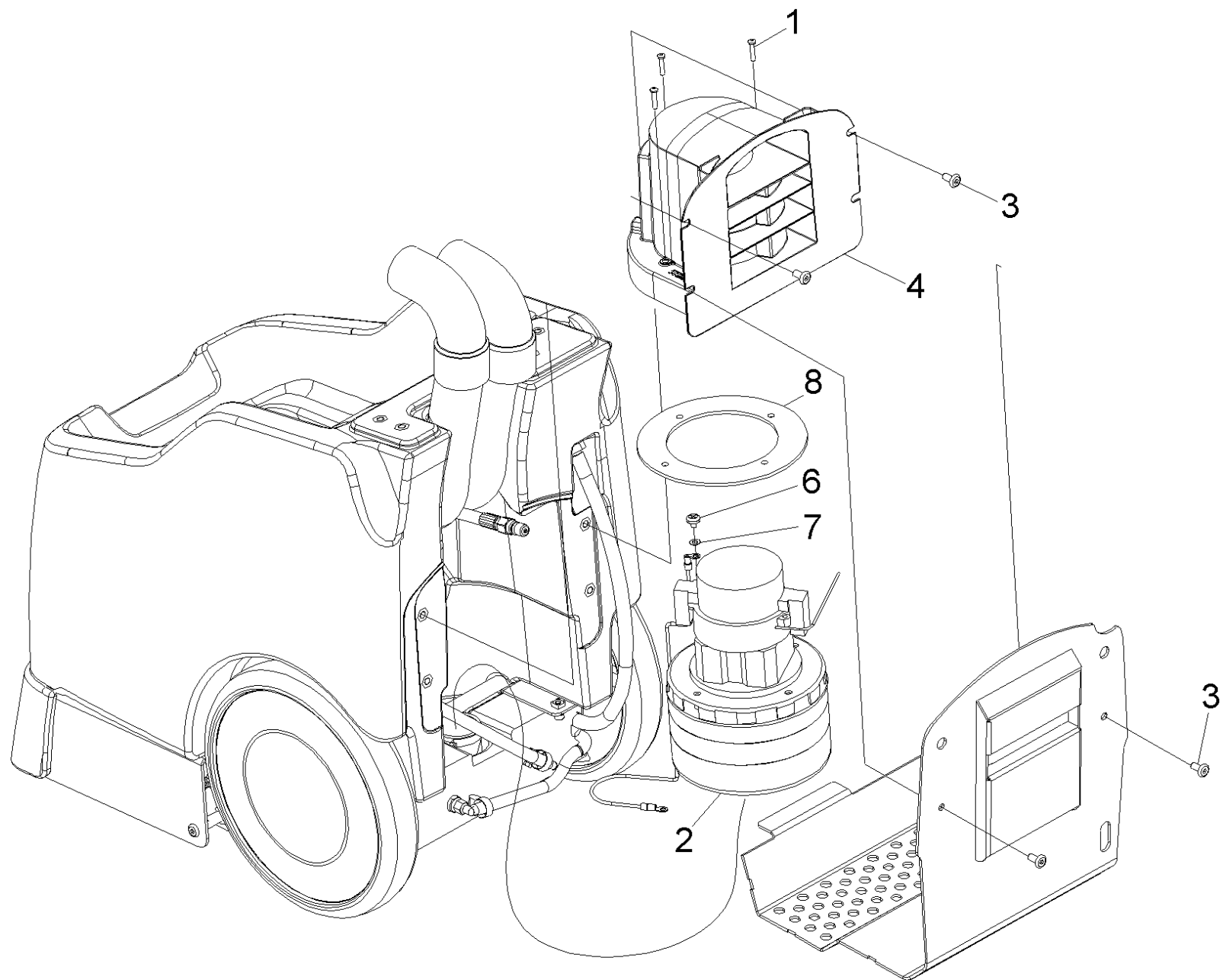
| POS | Article no.             | Description                      | Quantity | Unit |
|-----|-------------------------|----------------------------------|----------|------|
| 1   | 8.634-711.0             | TANK, SOL, GRY BRC 30/15 C       | 1.000    | ST   |
|     | Item text1: 1.008-057.0 |                                  |          |      |
| 1   | 8.629-797.0             | TANK, SOLUTION MPRO YEL          | 1.000    | ST   |
|     | Item text1: 1.008-037.0 |                                  |          |      |
| 2   | 8.600-240.0             | Clamp 2.0" WORM GEAR X .312W     | 2.000    | ST   |
| 3   | 8.601-191.0             | HOSE ASM, 1.5X34" VAC W/ELBOW    | 2.000    | ST   |
| 4   | 8.629-123.0             | GASKET, DOME, MINI PRO           | 1.000    | ST   |
| 5   | 8.630-859.0             | ASM, BRC 30/15 DOME              | 1.000    | ST   |
| 6   | 8.629-117.0             | DOME, PLATE INTERIOR             | 1.000    | ST   |
| 7   | 8.629-119.0             | SCREEN, VACUUM INTAKE            | 1.000    | ST   |
| 8   | 8.600-797.0             | Strainer 3/8 IN. NPT 60 MESH     | 1.000    | ST   |
| 9   | 8.617-294.0             | SCREW, KA40 X 10 PHOVHCS         | 4.000    | ST   |
| 10  | 8.622-496.0             | STRAINER, RECT, 80 MESH SS       | 1.000    | ST   |
| 11  | 8.617-299.0             | SCREW, M6 X 12 BTNHCS SS ISO7380 | 4.000    | ST   |
| 12  | 8.621-853.0             | HANDLE, RECOVERY TANK            | 1.000    | ST   |
| 13  | 8.630-860.0             | ASM, BRC 30/15 RECOVERY TANK     | 1.000    | ST   |
| 14  | 8.621-677.0             | CLAMP, DOME                      | 1.000    | ST   |
| 15  | 8.621-597.0             | BRKT, DOME CLAMP                 | 2.000    | ST   |
| 16  | 8.617-335.0             | WASHER, M5 FLT SS ISO7089        | 4.000    | ST   |
| 17  | 8.629-118.0             | DUCT, VACUUM INTAKE              | 1.000    | ST   |
| 18  | 8.629-121.0             | O-RING, 26MM ID X 2MM THICK      | 1.000    | ST   |
| 19  | 8.617-300.0             | SCREW, KA40 X 20 OVHCS WN1413 SS | 2.000    | ST   |
| 20  | 8.629-122.0             | SCREW, KA40 X 16 FLT SS WN1413   | 2.000    | ST   |
| 21  | 8.629-245.0             | GASKET, DUCT                     | 1.000    | ST   |
| 22  | 8.633-516.0             | LABEL, KARCHER FRONT             | 1.000    | ST   |
| 23  | 8.631-030.0             | ASSY, ADPT, 1/8MX1/4FPT NIPPLE   | 1.000    | ST   |



### 30 Control console

---

| POS | Article no. | Description                              | Quantity | Unit |
|-----|-------------|--|----------|------|
| 1   | 8.600-720.0 | Switch DPDT3-POSITION ROCKER             | 1.000    | ST   |
| 2   | 8.600-201.0 | BOOT, 3/8 CIRCUIT BREAKER                | 2.000    | ST   |
| 3   | 8.617-314.0 | SCREW, KA40 X 10 OVHCS STL WIN1412 ZNPLT | 2.000    | ST   |
| 4   | 8.635-063.0 | ASM, CTRL PNL, BRC 30/15 C               | 1.000    | ST   |
| 5   | 8.600-178.0 | BREAKER, 0.8A CIRCUIT                    | 1.000    | ST   |
| 6   | 8.621-572.0 | BREAKER, 6A VDE CIRCUIT                  | 1.000    | ST   |
| 7   | 8.622-342.0 | RELAY, 10A 230VAC MINI SPDT              | 1.000    | ST   |
| 8   | 8.630-268.0 | ASM, FILTER EMI MAIN                     | 1.000    | ST   |
| 9   | 8.629-230.0 | SCREW, M4-.7 X 20 SLTDBTNHCS BLKOX       | 2.000    | ST   |
| 10  | 8.617-335.0 | WASHER, M5 FLT SS ISO7089                | 2.000    | ST   |
| 11  | 8.621-630.0 | BUMPER, CONSOLE                          | 2.000    | ST   |

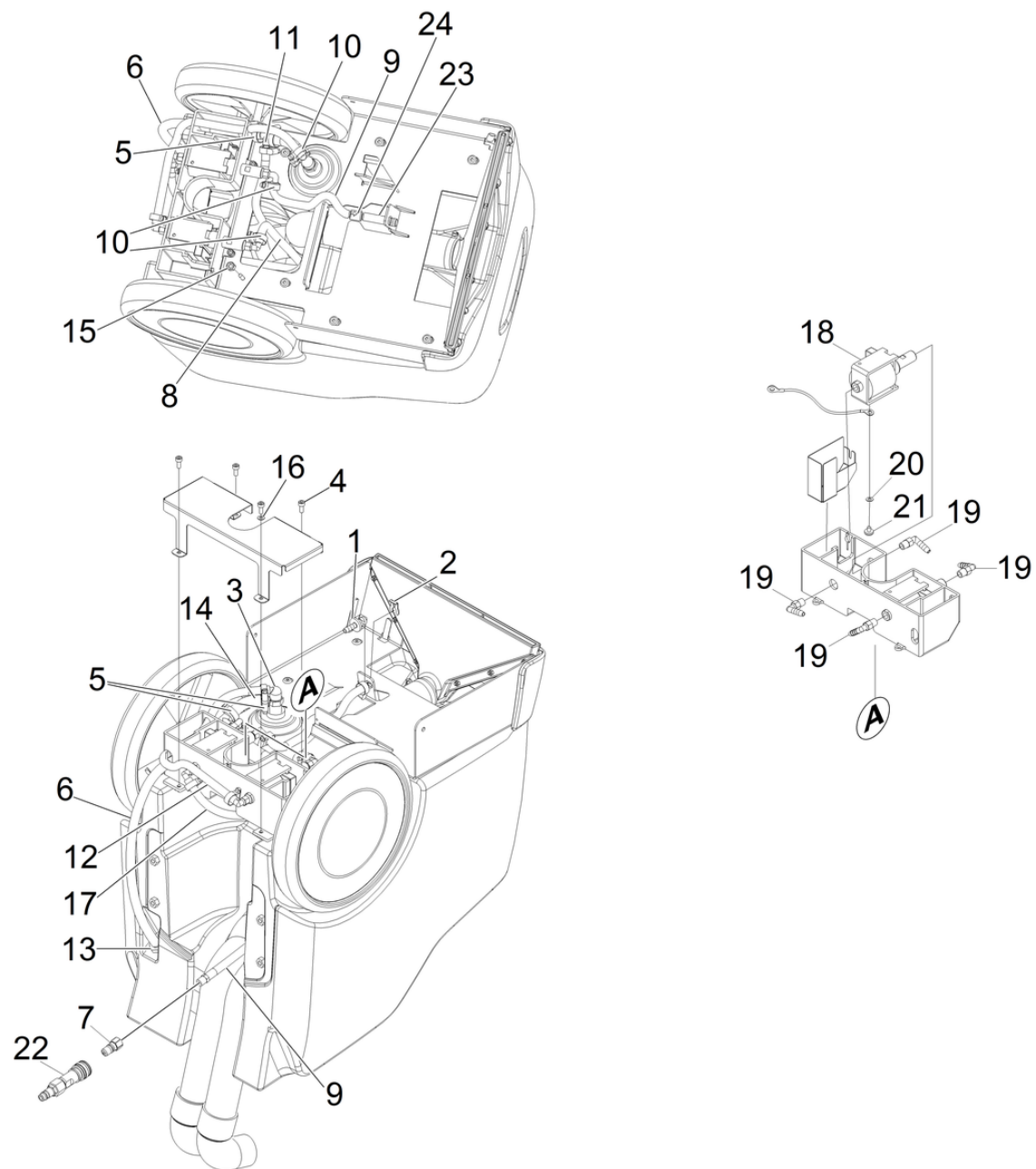


## 40 Turbine

---

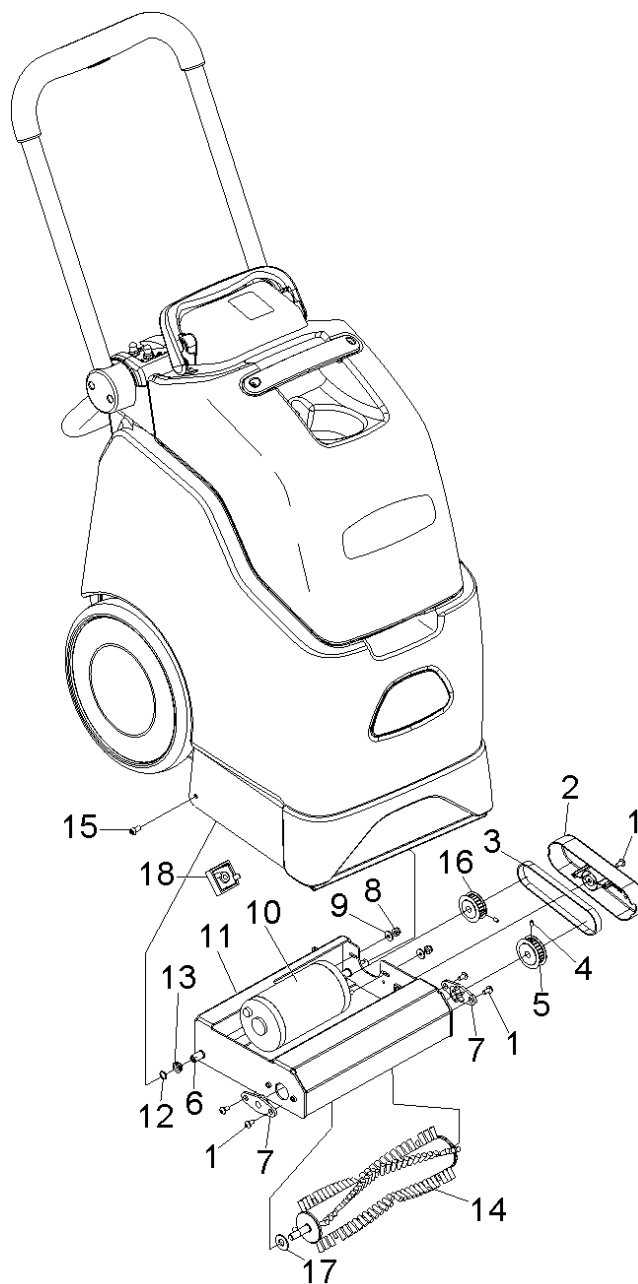
| <b>POS</b> | <b>Article no.</b> | <b>Description</b>                   | <b>Quantity</b> | <b>Unit</b> |
|------------|--------------------|--------------------------------------|-----------------|-------------|
| 1          | 8.617-300.0        | SCREW, KA40 X 20 OVHCS WN1413 SS     | 3.000           | ST          |
| 2          | 8.630-898.0        | Vac Motor Asm, Minipro 230v          | 1.000           | ST          |
| 3          | 8.617-322.0        | SCREW, M6-1 X 12 FLGBTNHMS SS        | 4.000           | ST          |
| 4          | 8.621-742.0        | COVER, VAC MOTOR                     | 1.000           | ST          |
| 6          | 8.600-677.0        | SCREW, 10-32 X .25 PHPNHTF STL ZNPLT | 1.000           | ST          |
| 7          | 8.601-064.0        | Washer #10 LOCK EXT STAR SS          | 1.000           | ST          |
| 8          | 8.629-168.0        | GASKET, VAC MOTOR                    | 1.000           | ST          |





## 50 Chemistry pump

| POS | Article no. | Description                          | Quantity | Unit | Remark           |
|-----|-------------|--------------------------------------|----------|------|------------------|
| 1   | 8.621-958.0 | JET, RT ANG, 1/4 BARB                | 1.000    | ST   |                  |
| 2   | 8.621-681.0 | Clamp shaft 9-12MM                   | 1.000    | ST   |                  |
| 3   | 8.621-920.0 | HOSEBARB, 3/8MPT,2X 1/4,1X 3/8       | 1.000    | ST   |                  |
| 4   | 8.617-295.0 | SCREW, M5-.8 X 12 SHCS SS DIN912     | 4.000    | ST   |                  |
| 5   | 8.623-315.0 | CLAMP, 3/8 HOSE (D-SLOT)             | 3.000    | ST   |                  |
| 6   | 8.621-909.0 | HOSE, 3/8"ID X 432MM CLEAR           | 1.000    | ST   |                  |
| 7   | 8.620-082.0 | Nipple 1/8                           | 1.000    | ST   |                  |
| 8   | 8.621-907.0 | HOSE, ASM, 6MM X 610MM NYBRAID       | 1.000    | ST   |                  |
| 9   | 8.637-773.0 | HOSE, 6MM X 190MM NYLOBRAID          | 1.000    | ST   |                  |
| 10  | 8.623-309.0 | CLAMP, 1/4 ID HOSE                   | 6.000    | ST   |                  |
| 11  | 8.628-933.0 | HOSEBARB, TEE 3/8X3/8X1/4            | 1.000    | ST   |                  |
| 12  | 8.621-905.0 | HOSE, 6MM X 390MM NYLOBRAID          | 1.000    | ST   |                  |
| 13  | 8.624-043.0 | HOSEBARB, 3/8 MPT X 3/8 NYLON        | 1.000    | ST   |                  |
| 14  | 8.601-268.0 | HOSE, 3/8ID X 60MM NYLOBRD           | 1.000    | ST   |                  |
| 15  | 8.600-564.0 | NUT, 10-32 HEX NYLOCK STL GR2 ZNPLT  | 1.000    | ST   |                  |
| 16  | 8.601-064.0 | Washer #10 LOCK EXT STAR SS          | 1.000    | ST   |                  |
| 17  | 8.621-906.0 | HOSE, 6MM X 420MM NYLOBRAID          | 1.000    | ST   |                  |
| 18  | 8.620-112.0 | Pump 220/240V 50HZ FLOJET            | 1.000    | ST   | 220V/240V - 50Hz |
| 18  | 8.620-111.0 | PUMP, 110/120 60HZ FLOJET            | 1.000    | ST   | 110V/120V - 60Hz |
| 19  | 8.624-052.0 | HOSEBARB, 1/8MPT X 1/4 90D           | 4.000    | ST   |                  |
| 20  | 8.601-064.0 | Washer #10 LOCK EXT STAR SS          | 2.000    | ST   |                  |
| 21  | 8.600-677.0 | SCREW, 10-32 X .25 PHPNHTF STL ZNPLT | 2.000    | ST   |                  |
| 22  | 8.631-030.0 | ASSY, ADPT, 1/8MX1/4FPT NIPPLE       | 1.000    | ST   |                  |
| 23  | 8.637-774.0 | HOSE, 6MM X 40MM NYLOBRAID           | 1.000    | ST   |                  |
| 24  | 8.634-941.0 | CHECK VALVE, MINI                    | 1.000    | ST   |                  |



## 60 Power brush

| POS | Article no. | Description                         | Quantity | Unit |
|-----|-------------|-------------------------------------|----------|------|
| 1   | 8.617-302.0 | SCREW, M5 X 10 PNHMS SS ISO7045     | 5.000    | ST   |
| 2   | 8.621-739.0 | COVER, BELT GUARD                   | 1.000    | ST   |
| 3   | 8.621-526.0 | BELT, HTD 5MM 69T 9 WIDE            | 1.000    | ST   |
| 4   | 8.622-378.0 | Threaded pin M4X8                   | 2.000    | ST   |
| 5   | 8.622-330.0 | PULLEY, BRUSH                       | 1.000    | ST   |
| 6   | 8.621-497.0 | AXLE, PIVOT, BRUSH DECK             | 1.000    | ST   |
| 7   | 8.622-902.0 | BEARING, BRUSH                      | 2.000    | ST   |
| 8   | 8.600-564.0 | NUT, 10-32 HEX NYLOCK STL GR2 ZNPLT | 2.000    | ST   |
| 9   | 8.617-333.0 | WASHER, M5 SS ISO7093               | 2.000    | ST   |
| 10  | 8.630-672.0 | MOTOR ASM, 230V DC PM               | 1.000    | ST   |
| 11  | 8.621-792.0 | FRAME, BRUSH DRIVE MINIPRO          | 1.000    | ST   |
| 12  | 8.622-349.0 | RING, 10MM EXT SNAP, DIN 471        | 2.000    | ST   |
| 13  | 8.621-643.0 | BUSHING, BRUSH PRESSURE             | 2.000    | ST   |
| 14  | 8.621-604.0 | BRUSH, CHEVRON, 10 IN               | 1.000    | ST   |
| 15  | 8.617-322.0 | SCREW, M6-1 X 12 FLGBTNHMS SS       | 2.000    | ST   |
| 16  | 8.622-335.0 | PULLEY, MOTOR                       | 1.000    | ST   |
| 17  | 8.601-068.0 | WASHER, 3/8 NYL                     | 1.000    | ST   |
| 18  | 8.622-346.0 | RECTIFIER BRIGDE 50A 1000V          | 1.000    | ST   |