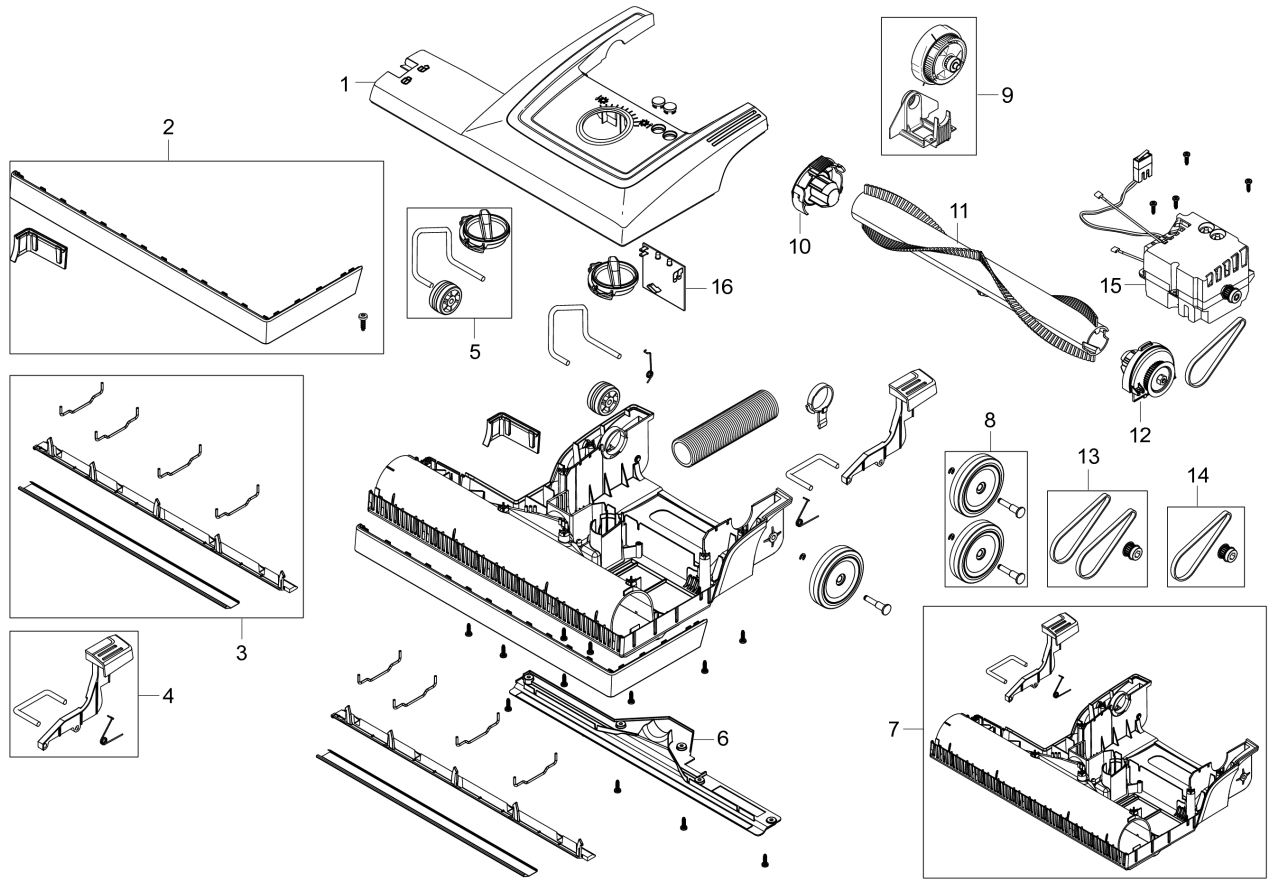


Base



Base

#	PART #	DESCRIPTION	QTY	Note
1	1470924510	COVER BRUSH HOUSE BLUE 12/305	1	[1]
1	1470924610	COVER BRUSH HOUSE BLUE 12/305	1	[2]
1	1470925510	COVER BRUSH HOUSE BLUE 15/355	1	[3]
1	1470925610	COVER BRUSH HOUSE BLUE 15/355	1	[4]
1	1470926510	COVER BRUSH HOUSE BLUE 18/455	1	[5]
2	1470886500	BUMPER KIT 12/305	1	
2	1470889500	BUMPER KIT 15/355	1	
2	1470892500	BUMPER KIT 18/455	1	
3	1470992500	SUPPORT BRUSH SHOE 12	1	
3	1470992510	SUPPORT BRUSH SHOE 15	1	
3	1470992520	SUPPORT BRUSH SHOE 18	1	
4	1470935500	PEDAL WITH SHAFT AND SPRING	1	
5	1470901500	ROLLER KIT	1	
6	1470988500	BRUSH SHOE 12/305	1	
6	1470989500	REAR BRUSH SHOE 15/355	1	
6	1470990500	REAR BRUSH SHOE 18/455	1	
7	1470885500	CHASSIS 12/305	1	[6]
7	1470888500	CHASSIS 15/355	1	[7]
7	1470891500	CHASSIS 18/455	1	[5]
8	1470898500	WHEEL KIT	1	[8]
9	1470906500	CLUTCH AND BEARING KIT	1	
10	1470944500	COVER	1	
11	1470930500	BRUSH 12/305	1	[9]
11	1470930510	BRUSH 15/355	1	[9]
11	1470930520	BRUSH 18/455	1	[9]
12	1470913500	BEARING	1	[9]
13	1470905500	DRIVE BELT KIT	1	
14	1470905510	DRIVE BELT KIT DOUBLE MOTOR	1	
15	1470984510	BRUSH MOTOR CASSETTE 100-120V	1	[10]
15A	1471170500	MICRO SWITCH	1	[11]
16	107401947	PCB KIT 120V	1	

PART NOTES:

- [1] - 112
- [2] - 212 incl. lens
- [3] - 115
- [4] - 215 incl. lens
- [5] - 218
- [6] - 112, 212
- [7] - 115, 215
- [8] - TSBVAC2012-105-Rear Wheel Failures

New part #107416451

TSB-COM-VAC-2015-002-Wheel Spare Part Kit for VU500

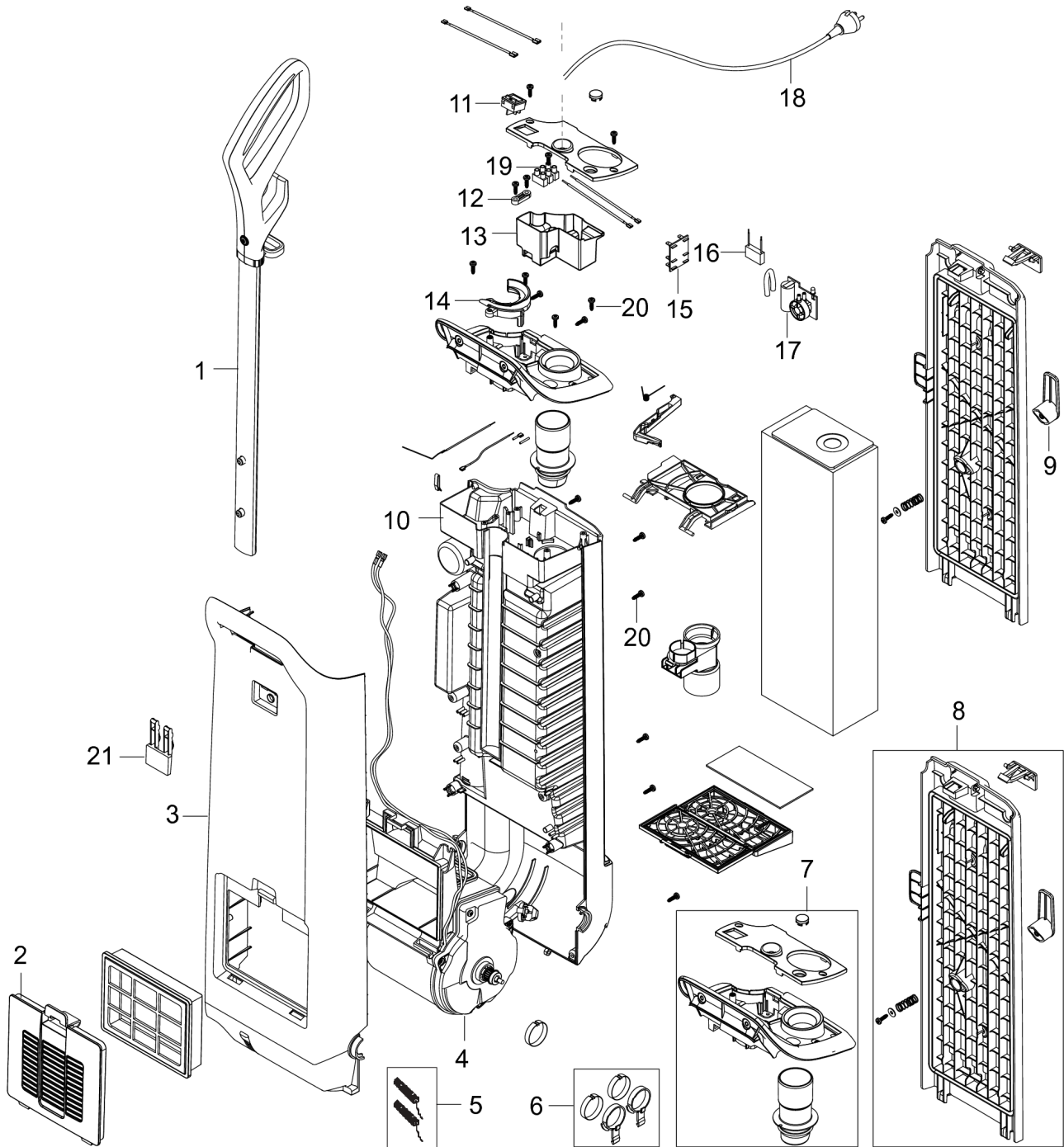
- [9] - TSBUS2011-0001 - Product Improvements

Base (Base)

Base

- [10] - Micro Switch included with Brush Motor Cassette
With Circuit Board and Micro Switch
- [11] - for motor 1470984510

Body



Body

#	PART #	DESCRIPTION	QTY	Note
1	1470833500	HANDLE COMPLETE	1	[1]
2	1470965510	COVER EXHAUST FILTER BLUE	1	
3	1470847510	COVER BODY FRONT BLUE	1	
4	1470864510	VACUUM MOTOR CASSETTE 110-120V	1	
5	1471326500	CARBON BRUSH KIT	1	[2]
6	1470927500	JOINT-BASE BODY TO RING 2	1	
7	1470842510	COVER TOP KIT BLUE	1	
8	1470857510	LID DUST COMPARTMENT CPL BLUE	1	
9	1470852500	LOWER CORD WRAP HOOK	1	[3]
10	1470850510	COVER BODY REAR BLUE	1	[4]
11	1405496510	SWITCH UL KIT	1	
12	561014060	ANTI-STRAIN CLIP	1	
13	1470843500	ELECTRIC BOX	1	
14	1471062500	TUBE HOLDER	1	
15	1407024500	ANTI STATIC BOARD 930-SERIES	1	[5]
16	1408166010	CAPACITOR FOR MOTOR GD930	1	[6]
17	1470987500	BAG LIGHT CIRCUIT BOARD	1	[7]
18	1403859640	CORD SET US/TW 3C 15M YELLOW	1	
19	82240100	TERMINAL BLOCK 3 POLE	1	[8]
20	1409214040	SCREW PT TORX K40X14 FZB	1	[9]
21	107401794	HANDLE RELEASE BUTTON	1	

PART NOTES:

[1] - TSBUS2010-1081- Hand Grip Splitting

1470834000 - HANDLE GRIP ABS BLACK
TSB-COM-VAC-2014-002-Handle Change on GU Series

TSBUS2011-0001 - Product Improvements
TSB-FC-2015-011-SW8000 engine loses power, performs like it is not getting fuel

The marked parts is item 1470854500 "HOLDER DUST BAG KIT

[2] - 2 pcs.

[3] - TSBUS2011-0001 - Product Improvements
1470852500 does NOT contain washer and screw to secure it, must order 1470857510

[4] - Visual Work Instructions for replacement of Rear Body Cover

[5] - Not for US versions
Not for US versions

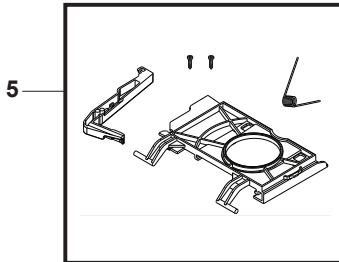
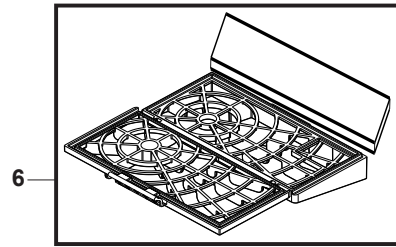
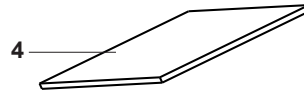
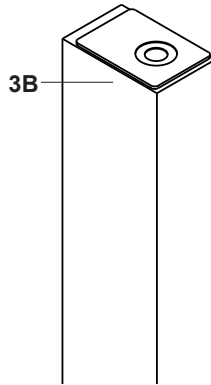
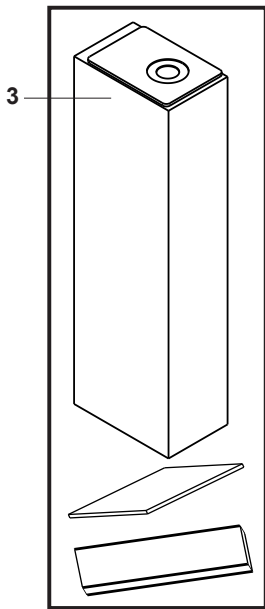
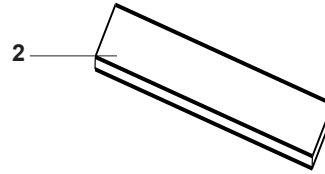
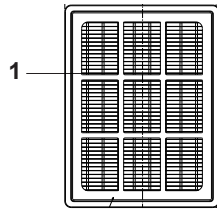
[6] - Not for US versions

[7] - The Bag Light turns on as a result of low air flow. Before considering replacement of the board or machine check for clogged hoses, bag or filters which will cause the light to turn on prematurely. Also, if vacuums using this circuit are used in wet conditions the inside of the bag could become coated thus reducing airflow out of it, which will cause the light to turn on.

[8] - For grounded versions

[9] - this part is qty 1 each.

Filters



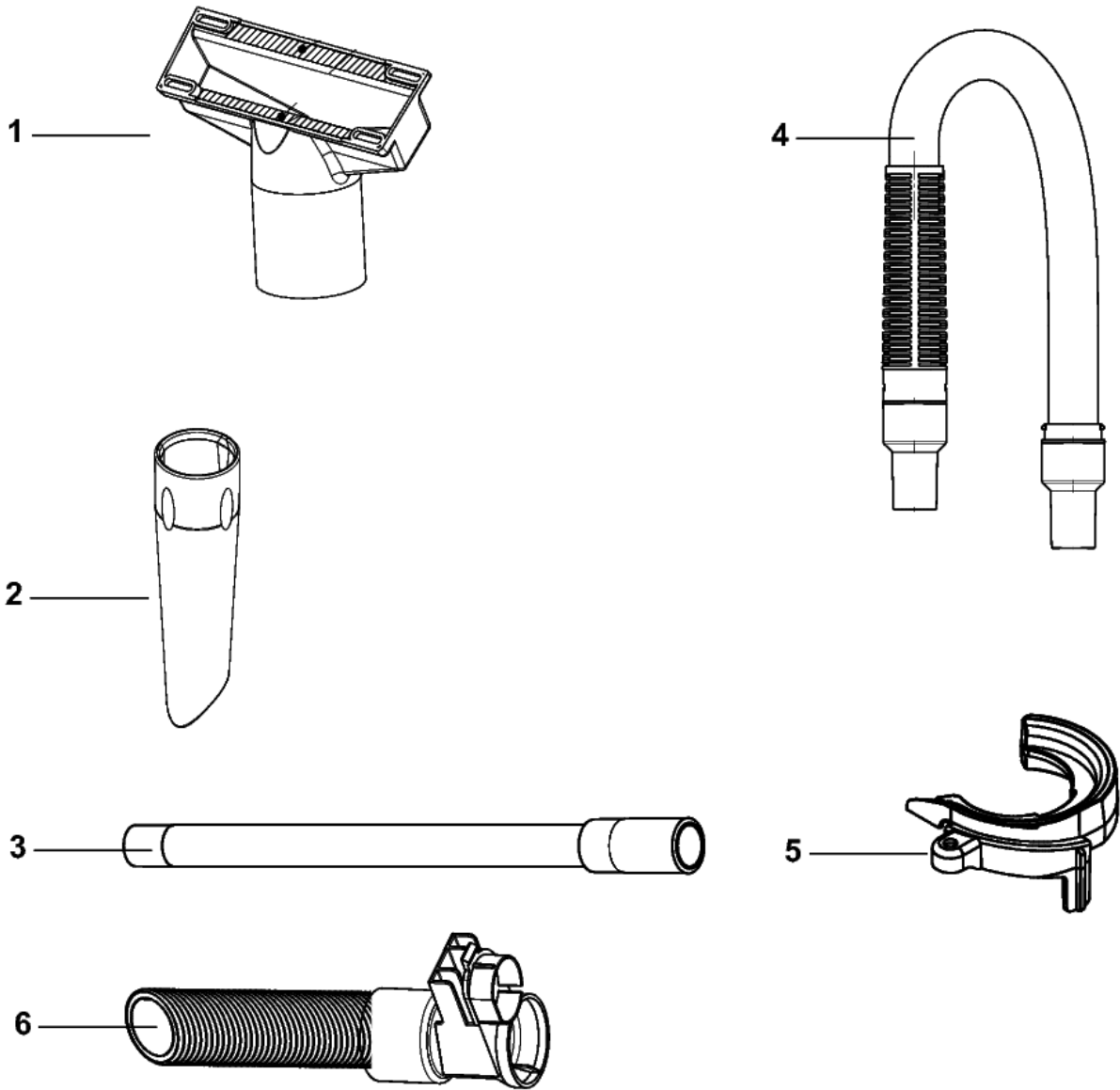
Filters

#	PART #	DESCRIPTION	QTY	Note
1	1471250600	HEPA FILTER H13	1	
2	1470966500	EXHAUST FILTER	1	
3	1471058500	DUST BAG KIT PKG OF 10 AND 2	1	[1]
3B	1471059500	DUST BAG REUSABLE	1	[2]
4	1470960500	PRE FILTER KIT	1	[3]
5	1470854500	HOLDER DUST BAG KIT	1	
6	1470958500	HOLDER PRE FILTER KIT	1	[4]

PART NOTES:

- [1] - with 2 pre filters and 1 exhaust filter
Material: Paper
- [2] - Material: Cloth
- [3] - 2 psc. with anti smell paper
- [4] - TSBUS2011-0001 - Product Improvements
With 1 pre filter

Nozzles and Tube



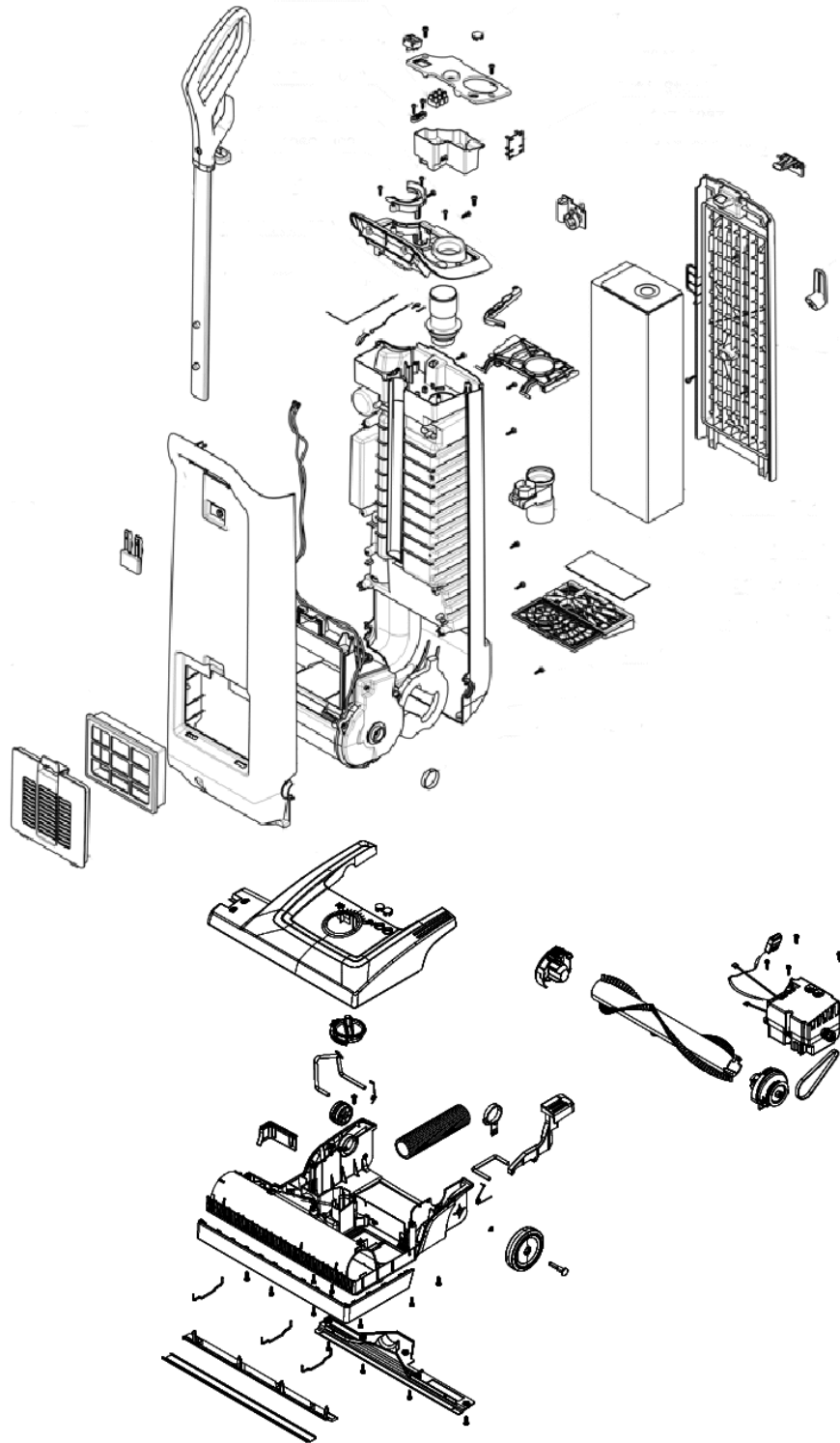
Nozzles and Tube

#	PART #	DESCRIPTION	QTY	Note
1	1471205500	UPHOLSTERY NOZLE 035	1	
2	1471203500	SERVICE NOZZLE	1	[1]
3	1470851500	EXTENSION TUBE 035MM	1	
4	1470950500	HOSE STRETCHABLE	1	[2]
5	1471062500	TUBE HOLDER	1	[3]
6	1470919500	ADAPTOR-BASE TO TUBE W/HOSE	1	[4]

PART NOTES:

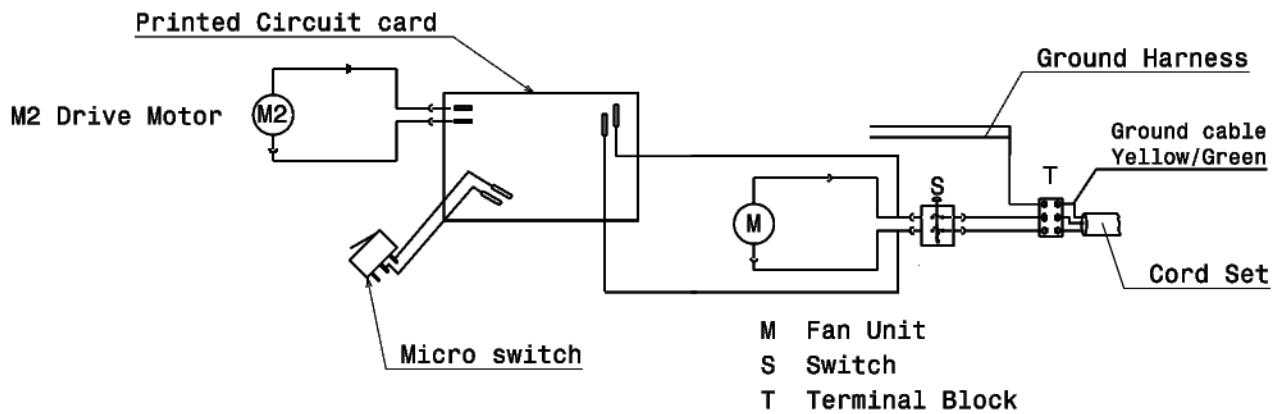
- [1] - Soft
- [2] - TSBUS2011-0001 - Product Improvements
- [3] - For the extension tube
- [4] - Hose from the base

Overview

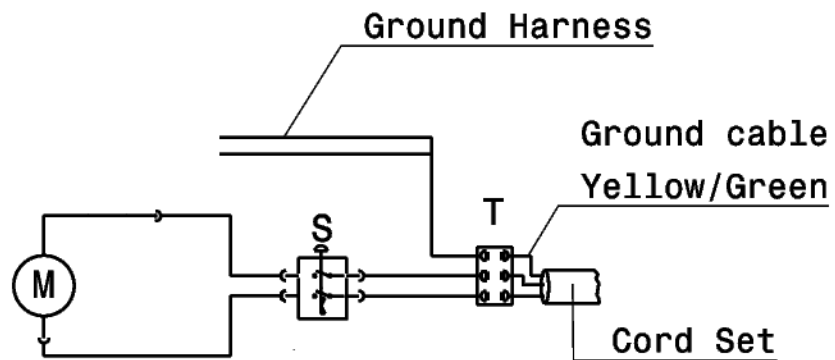


Wiring Diagrams

Double motor version 212, 215, 218 - Grounded



Single motor version 112, 115 - Grounded



- M Fan Unit
S Switch
T Terminal Block