



Operating instructions (ENG)

MODELS:

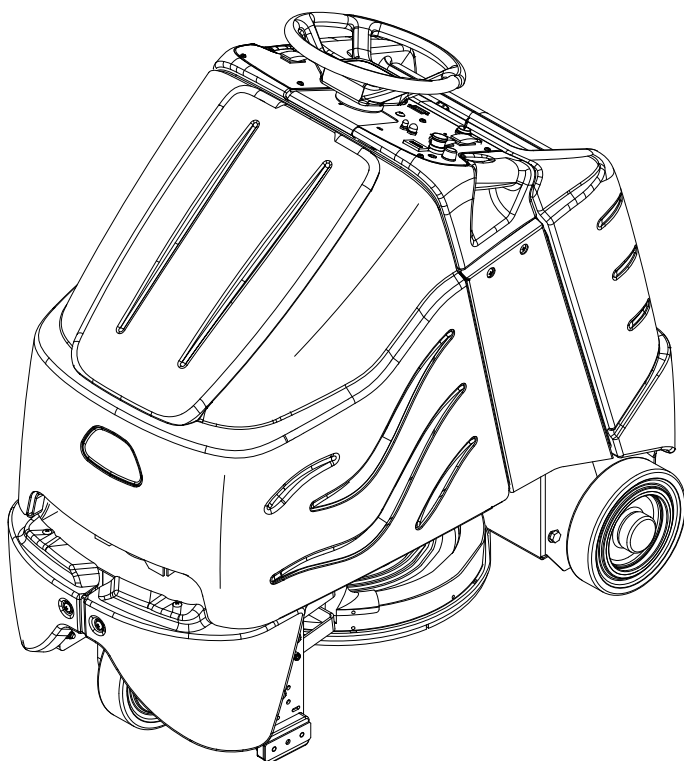
CB20
1.002-008.0

CBCD20
1.002-016.0

CBE20
1.002-010.0

CB20X
1.002-009.0

CBCD20X
1.002-021.0



From Serial #:

10020080000650

10020090000146

10020100000016

10020169000004

10020210000025

Read these instructions before using the machine.



Model: _____

Date of Purchase: _____

Serial Number: _____

Dealer: _____

Address: _____

Phone Number: _____

Sales Representative: _____

Overview

The Chariot burnisher is a battery powered, ride-on, hard floor burnisher intended for commercial use. The appliance applies a high luster to hard floor surfaces.

Warranty Registration

Thank you for purchasing a Windsor product. Warranty registration is quick and easy. Your registration will allow us to serve you better over the lifetime of the product.

To register your product go to :

www.windsorind.com/WarrantyRegistration.aspx

For customer assistance:

1-800-444-7654



Machine Data Label/Overview2
Table of Contents3
How to Use This Manual4

Safety

IMPORTANT SAFETY INSTRUCTIONS5
Hazard Intensity Level6
Safety Label Location7

Operations

How This Machine Works10
Components11
Drive Controls13
Burnisher Controls16
Pre-run Machine Inspection18
Starting Machine18
Operating the Machine18
Emergency Stop Procedure18
To Begin Burnishing19
Normal Burnishing19

Maintenance

Service Schedule20
Batteries21
Batteries22
Battery Maintenance22
Checking Battery Specific Gravity23
Charging Batteries23
Changing Batteries24
Dust Bag Replacement26
Dust Control Skirts Replacement26
Pad Installation26
Pad Driver Replacement27
Shunt Replacement29
Burnisher Motor Carbon Brush Replacement29
Drive Motor & Brake30
Electric Parking Brake Engagement31
Drive Motor Carbon Brush Replacement32
Troubleshooting34
Controller Fault Codes35

Parts

Bumper38
Control Panel 140
Control Panel 242
Controls & Housing44
Decals46
Filter48
Frame-Lower50
Frame-Upper52
Hood54
Pedal Platform56
Pedal Platform-Mounting58
Rear Cover60
Deck Lift Switches62
Deck Lift Mechanism64
Deck Lift Linkage66
Steering68
Steering68
Wheel-Front Drive-Chain70
Wheel-Front Brake72
Wheel-Front Drive-Gear74
Wheel-Rear76
Wiring-Batteries78
Wiring-Components80
Wiring-Control Panel82
Wiring-Drive Motor84
Wiring-Main Harness86
Wiring-Pedal Platform88
Wiring Diagram90
Suggested Spare Parts91

Options

Back-up Alarm-Option94
Battery Cart-Option96
Seat-Option100
Warning Light-Option102
EC Declaration104
Serial Numbers105

How to Use This Manual

This manual contains the following sections:

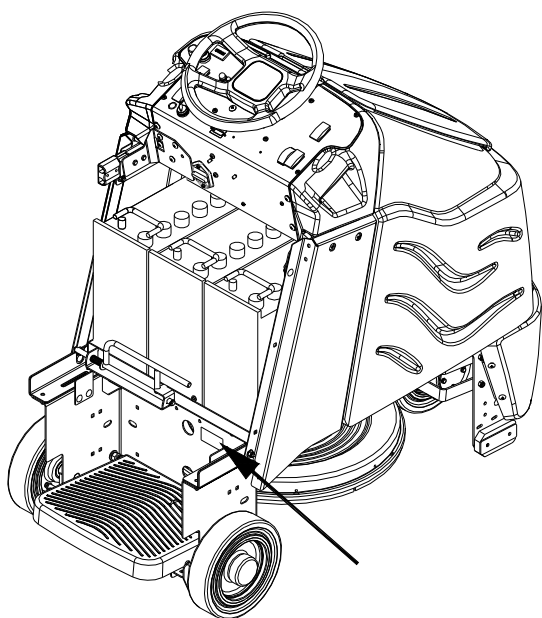
- HOW TO USE THIS MANUAL
- SAFETY
- OPERATIONS
- MAINTENANCE
- PARTS LIST

The HOW TO USE THIS MANUAL section will tell you how to find important information for ordering correct repair parts.

Model: _____
Date of Purchase: _____
Serial Number: _____
Dealer: _____
Address: _____
Phone Number: _____
Sales Representative: _____

Parts may be ordered from authorized Windsor dealers. When placing an order for parts, the machine model and machine serial number are important. Refer to the MACHINE DATA box which is filled out during the installation of your machine. The MACHINE DATA box is located on the inside of the front cover of this manual.

The model and serial number of your machine are located below the battery compartment of the machine.



The SAFETY section contains important information regarding hazard or unsafe practices of the machine. Levels of hazards are identified that could

result in product or personal injury, or severe injury resulting in death.

The OPERATIONS section is to familiarize the operator with the operation and function of the machine.

The MAINTENANCE section contains preventive maintenance to keep the machine and its components in good working condition. They are listed in this general order:

- Service Schedule
- Batteries
- Brush Deck
- Circuit Protection
- Vacuum Motor
- Drive Motor & Brake

The PARTS LIST section contains assembled parts illustrations and corresponding parts list. The parts lists include a number of columns of information:

REF - column refers to the reference number on the parts illustration.

PART NO. - column lists the part number for the part.

PRV NO. - reference number.

QTY - column lists the quantity of the part used in that area of the machine.

DESCRIPTION - column is a brief description of the part.

SERIAL NO. FROM - If this column has an (*) and a Reference number, see the SERIAL NUMBERS page in the back of your manual. If column has two asterisk (**), call manufacturer for serial number. The serial number indicates the first machine the part number is applicable to. The main illustration shows the most current design of the machine. When a boxed illustration is shown, it displays the older design.

NOTES - column for information not noted by the other columns.

NOTE: If a service or option kit is installed on your machine, be sure to keep the KIT INSTRUCTIONS which came with the kit. It contains replacement parts numbers needed for ordering future parts

IMPORTANT SAFETY INSTRUCTIONS

When using an electrical appliance, basic precaution must always be followed, including the following:

READ ALL INSTRUCTIONS BEFORE USING THIS MACHINE.

⚠ WARNING: To reduce the risk of fire, electric shock, or injury:

Use only indoors. Do not use outdoors or expose to rain.

Use only as described in this manual. Use only manufacturer's recommended components and attachments.

If the machine is not working properly, has been dropped, damaged, left outdoors, or dropped into water, return it to an authorized service center.

Do not operate the machine with any openings blocked. Keep openings free of debris that may reduce airflow.

This machine is not suitable for picking up hazardous dust.

Machine can cause a fire when operating near flammable vapors or materials. Do not operate this machine near flammable fluids, dust or vapors.

This machine is suitable for commercial use, for example in hotels, schools, hospitals, factories, shops and offices for more than normal housekeeping purposes.

Maintenance and repairs must be done by qualified personnel.

Disconnect battery before cleaning or servicing.

Before the machine is discarded, the batteries must be removed and properly disposed of.

Make sure all warning and caution labels are legible and properly attached to the machine.

During operation, attention shall be paid to other persons, especially children.

Before use all covers and doors shall be put in the positions specified in the instructions.

When leaving unattended, secure against unintentional movement.

The machine shall only be operated by instructed and authorized persons.

When leaving unattended, switch off or lock the main power switch to prevent unauthorized use.

This appliance has been designed for use with the brushes specified by the manufacturer. The fitting of other brushes may affect its safety.

Do not use on surfaces having a gradient of over 10% (6 degrees).

SAVE THESE INSTRUCTIONS

Safety

The following symbols are used throughout this guide as indicated in their descriptions:

HAZARD INTENSITY LEVEL

There are three levels of hazard intensity identified by signal words -**WARNING** and **CAUTION** and **FOR SAFETY**. The level of hazard intensity is determined by the following definitions:

! WARNING:

WARNING - Hazards or unsafe practices which COULD result in severe personal injury or death.

! CAUTION:

CAUTION - Hazards or unsafe practices which could result in minor personal injury or product or property damage.

FOR SAFETY: To Identify actions which must be followed for safe operation of equipment.

Report machine damage or faulty operation immediately. Do not use the machine if it is not in proper operating condition. Following is information that signals some potentially dangerous conditions to the operator or the equipment. Read this information carefully. Know when these conditions can exist. Locate all safety devices on the machine. Please take the necessary steps to train the machine operating personnel.

FOR SAFETY:

DO NOT OPERATE MACHINE:

Unless Trained and Authorized.

Unless Operation Guide is Read and understood.

In Flammable or Explosive areas.

In areas with possible falling objects.

WHEN SERVICING MACHINE:

Avoid moving parts. Do not wear loose clothing; jackets, shirts, or sleeves when working on the machine. Use Windsor approved replacement parts.

! WARNING:

Batteries emit hydrogen gas. Explosion or fire can result. Keep sparks and open flame away. Keep battery compartment open during charging. Keep sparks and flames away from the batteries. Do not smoke around batteries.

! WARNING:

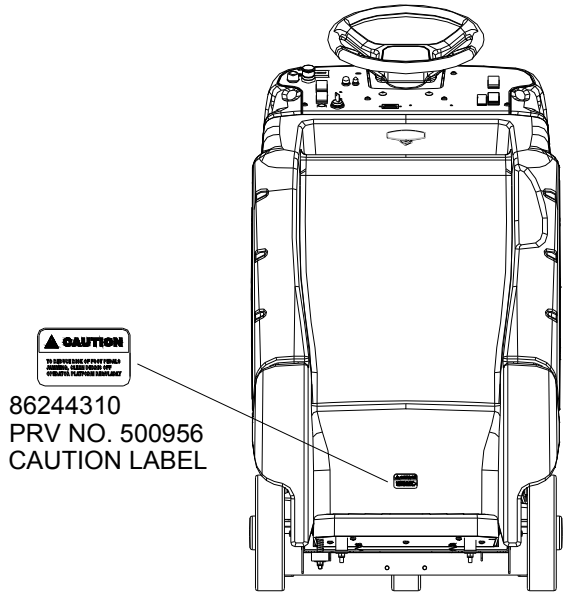
Disconnect batteries before working on machine. Only qualified personnel should work inside machine. Always wear eye protection and protective clothing when working on or near batteries. Avoid skin contact with the acid contained in the batteries.

! WARNING:

Never allow metal to lie across battery tops.

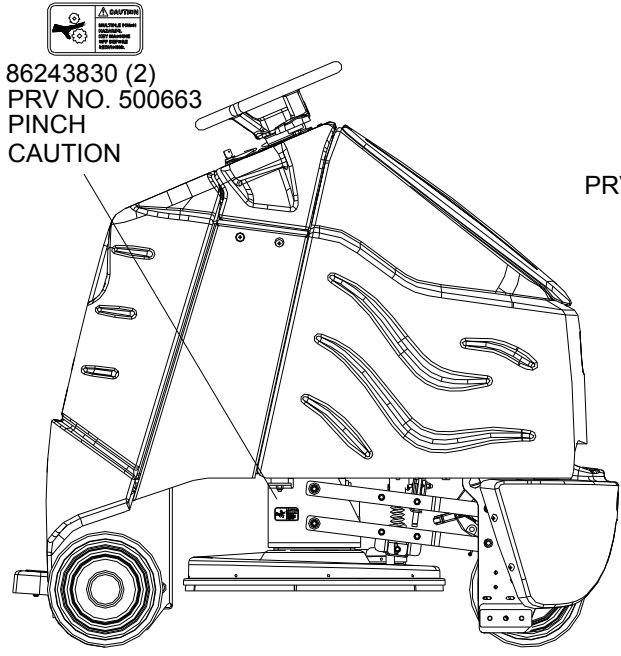
Safety Label Location

These drawings indicate the location of safety labels on the machine. If at any time the labels become illegible, promptly replace them.



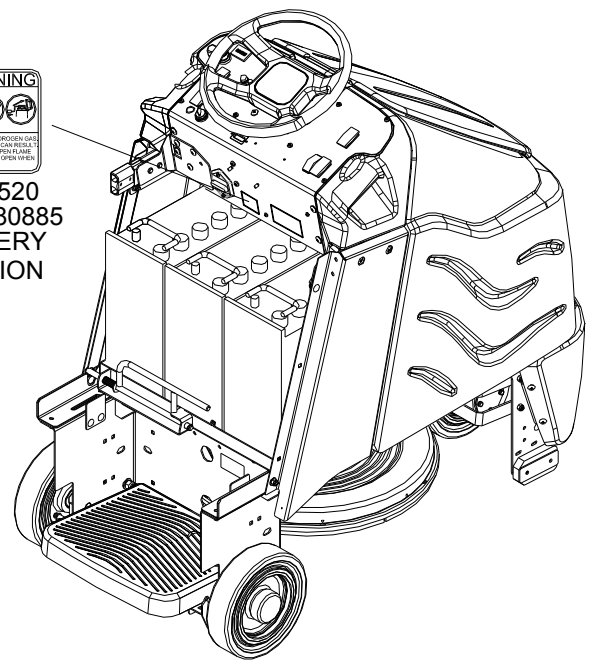
 **CAUTION**
IN CERTAIN CASES OF HEAVY TRAFFIC
OPERATION, THIS MACHINE MAY
REQUIRE FLUORESCENT LABELS

86244310
PRV NO. 500956
CAUTION LABEL



 **CAUTION**
PINCH POINTS
KEEP HANDS AND FEET CLEAR

86243830 (2)
PRV NO. 500663
PINCH
CAUTION



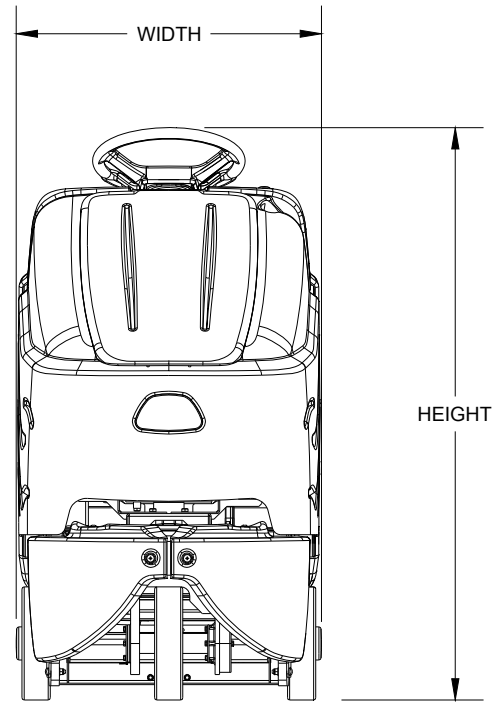
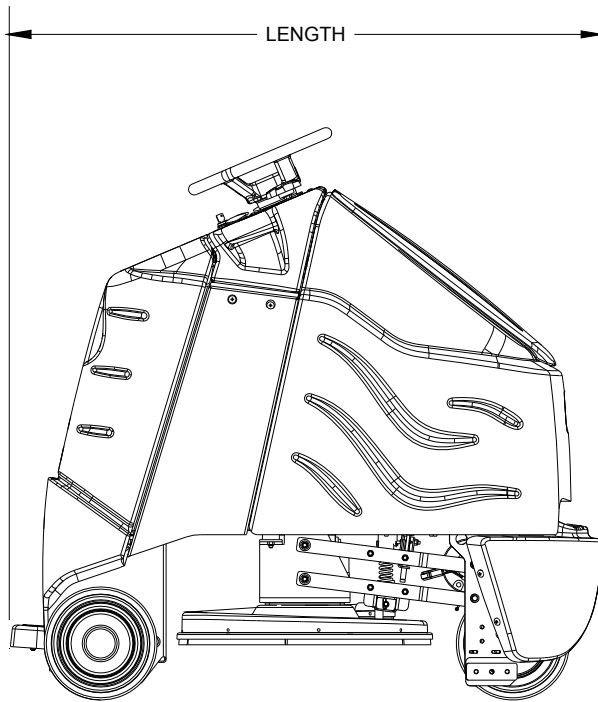
 **WARNING**
BATTERIES THAT HYDROGEN GAS
EXTRUDERS OR BLEB CAN RESULT
KEEP SPARKS AND OPEN FLAME
AWAY FROM BATTERY COVER WHEN
CHARGING

86252520
PRV NO. 80885
BATTERY
CAUTION

Technical Specifications

ITEM	DIMENSION/CAPACITY
Nominal power	3420 W
Rated Voltage	36 Volts DC
Rated Amperage	95 amps
Batteries	3 X12 Volt 195-215 AH @ 20 hr. rate
Battery Compartment Dimensions	21 in. x 16 in. x 17 in. tall (533mm x 406mm x 432mm)
Propelling Motor	.75 HP (560 W)
Mass (GVW)	1,071 lbs (486 kg)
Weight empty without batteries	705 lbs (320 kg)
Tires	10" (254mm) Solid gray non-marking
Maximum Speed	3.5 miles/hour (5.6 Km/hour)
Frame Construction	Powder coated steel
Brake	Electrical parking brake, sets automatically whenever operator steps off platform or engages emergency stop.
Minimum aisle u-turn width	56 in. (1425 mm)
Maximum rated climb and descent angle	7.5 degrees

ITEM	MEASURE
Height	50.6 inches (1285 mm)
Length	52.5 inches (1330 mm)
Width	26.5 inches (670 mm)
Width of Burnishing Path	20 inches (508mm)



SPECIAL NOTES:

The sound pressure level at the operator's ear was measured to be 68 dBA. This was a nearfield, broad-band measurement taken in a typical industrial environment on a tile floor. This appliance contains no possible source of impact noise. The instantaneous sound pressure level is below 63 Pa.

The weighted root mean square acceleration at the operator's arms was measured to be below 2.5m/s². This was a tri-axial, third-octave-band measurement made during normal operation on a composite tile floor. The measurement and related calculations were made in accordance with ANSI S3.34-1986.

How This Machine Works

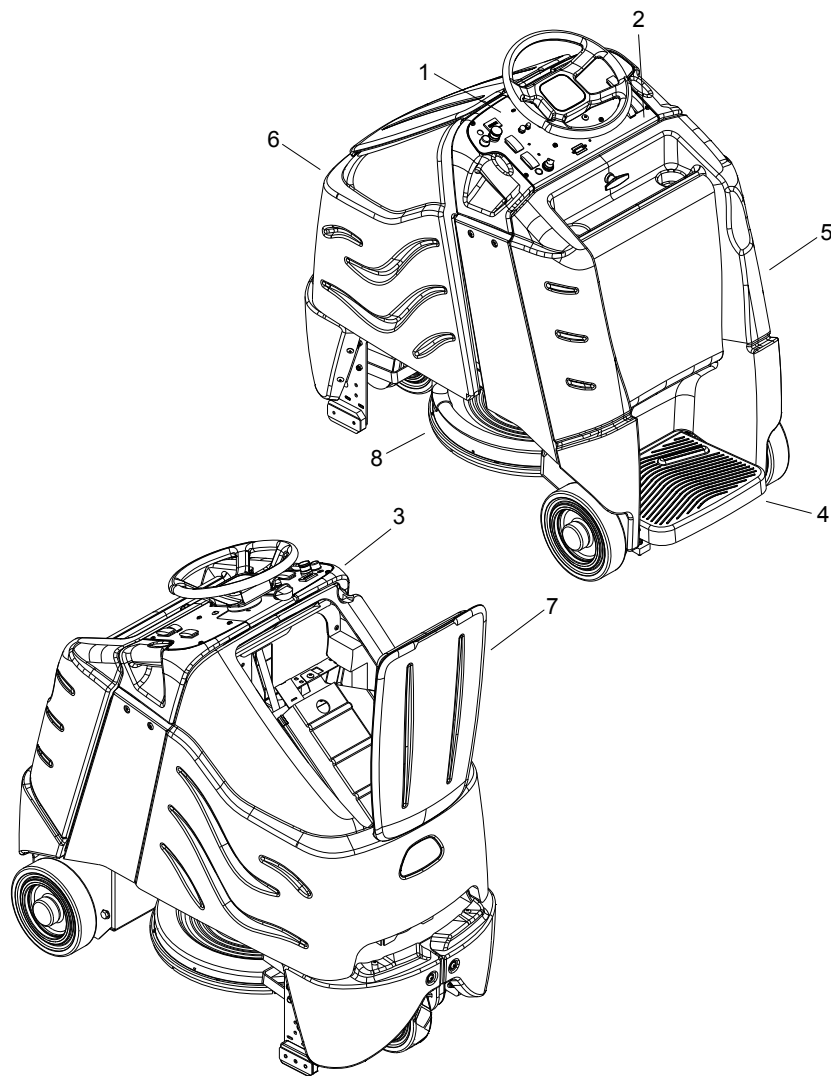
The Chariot is a battery powered, self propelled, hard floor burnisher intended for commercial use. The appliance spins a high-speed burnishing pad in contact with the floor surface to produce a high luster shine.

The machines primary systems are the burnishing system, the dust control system and the operator control system.

The function of the burnishing system is to spin a high-speed burnishing pad in contact with a floor surface that has had a burnishable floor finish applied. The burnishing pad can be lowered to the floor and raised by the operator, the operator can also control the pad pressure by use of the pressure switch. The burnishing pad will spin only when the machine is directed to move by the operator.

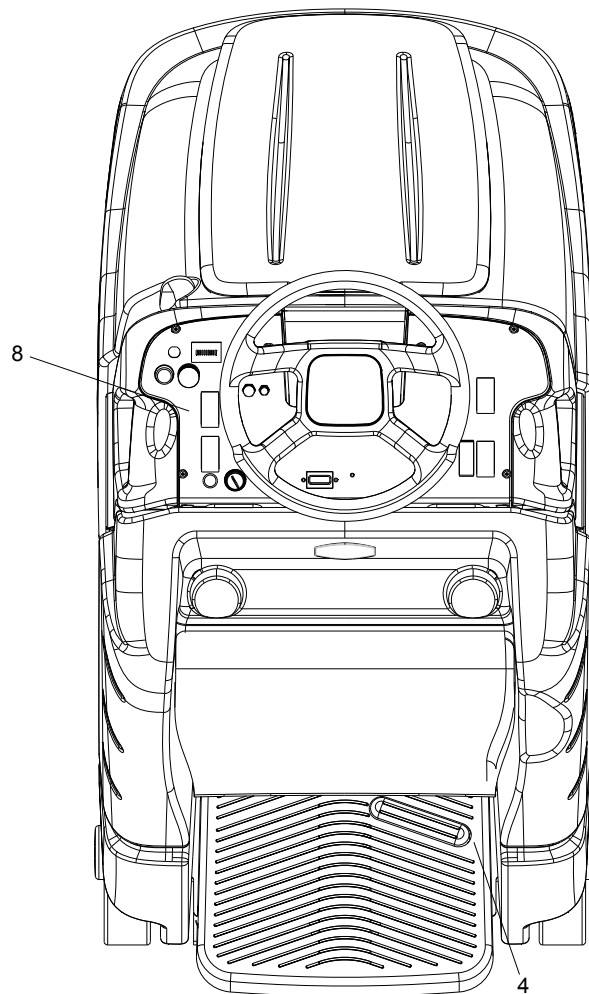
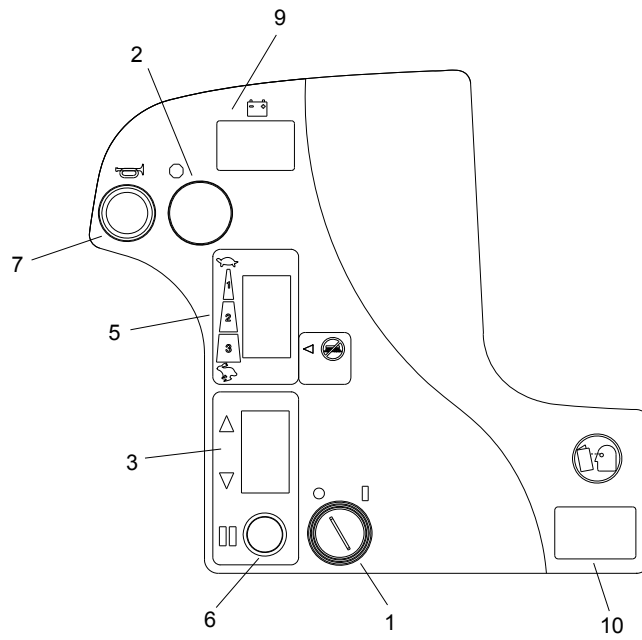
The function of the dust control system is to collect the dust that is created during the burnishing process. It is normal for a portion of the floor finish to be removed in the form of dust during the process. While burnishing, air movement is created within the burnishing head by the spinning pad. The dust that is also created is entrained in the air stream and transported to a filter bag where it is collected and separated from the air stream. The filter bag can be easily changed without releasing the collected dust

The function of the operator control system is to control the direction and speed of the machine. The directional control system consists of the direction control switch, throttle pedal, speed control switch, drive reset switch, emergency stop/brake switch, steering wheel, propel controller and drive wheel. The directional control switch signals forward or reverse direction. The controller interprets signals from the throttle pedal to command the drive wheel to propel or slow the machine. The drive reset switch is to make sure the operator is on platform before machine will propel. The steering wheel points the drive wheel in the direction desired by the operator. The parking brake automatically engages when the operator steps off the platform. The emergency stop/brake can be used to hold the machine on slopes.



Components

- | | |
|--------------------------|----------------------|
| 1. Control panel-Drive | 5. Rear cover |
| 2. Control Panel-Burnish | 6. Cover |
| 3. Control Housing | 7. Filter Access Lid |
| 4. Pedal Platform | 8. Burnisher Deck |



Drive Controls

1. Key Switch
2. Emergency Stop/Brake Switch
3. Directional Control Switch
4. Throttle Pedal
5. Speed Control Switch
6. Drive Reset Switch
7. Horn Button
8. Steering Wheel
9. Battery Charge level Indicator-Basic
10. Hour Meter-Basic

1. KEY SWITCH

Controls the power for machine functions.

To turn the machine power on, rotate key clockwise.

To turn the machine off, rotate key counterclockwise.

2. EMERGENCY STOP/BRAKE SWITCH

This safety feature is designed to cut all power to the machine at any time and apply parking brake.

To shut the machine power off, push the Emergency Stop Switch, this will also engage the parking brake and cause the machine to stop immediately.

To reset the machine, rotate the switch clockwise.

3. DIRECTIONAL CONTROL SWITCH

Controls the direction of travel of the vehicle. The position of the switch indicates direction of travel.

To travel forward, press the top of the switch.

To travel in reverse, press the bottom of the switch.

4. THROTTLE PEDAL

Controls the speed of the vehicle within the speed control setting selected. Pressing the pedal causes the machine to travel in the direction selected by the Directional Control Switch.

To increase speed, increase pressure on the pedal.

To decrease speed, decrease pressure on the pedal.

5. SPEED CONTROL SWITCH

Controls the maximum speed of the machine. There are two setting intended for scrubbing, speeds 1 and 2. Speed 3 is recommended for transport only, not scrubbing.

To increase speed, press the top of the switch.

To decrease speed, press bottom of the switch. Speeds can be adjusted at any time, whether machine is moving or not.

Basic: The position of the switch indicates speed setting.

Deluxe: The display indicates speed setting. When the key is turned on the controller will automatically adjust the speed to setting 2.

6. DRIVE RESET SWITCH

This safety feature is designed to ensure safe engagement of propel drive. Each time the machine power is turned on, and each time an operator steps on to the platform, the Drive Reset Switch must be pushed before machine will propel.

7. HORN BUTTON

The horn is activated by pressing the horn button.

8. STEERING WHEEL

The steering wheel turns the front wheel causing the machine to change direction.

9. BATTERY CHARGE LEVEL INDICATOR-BASIC

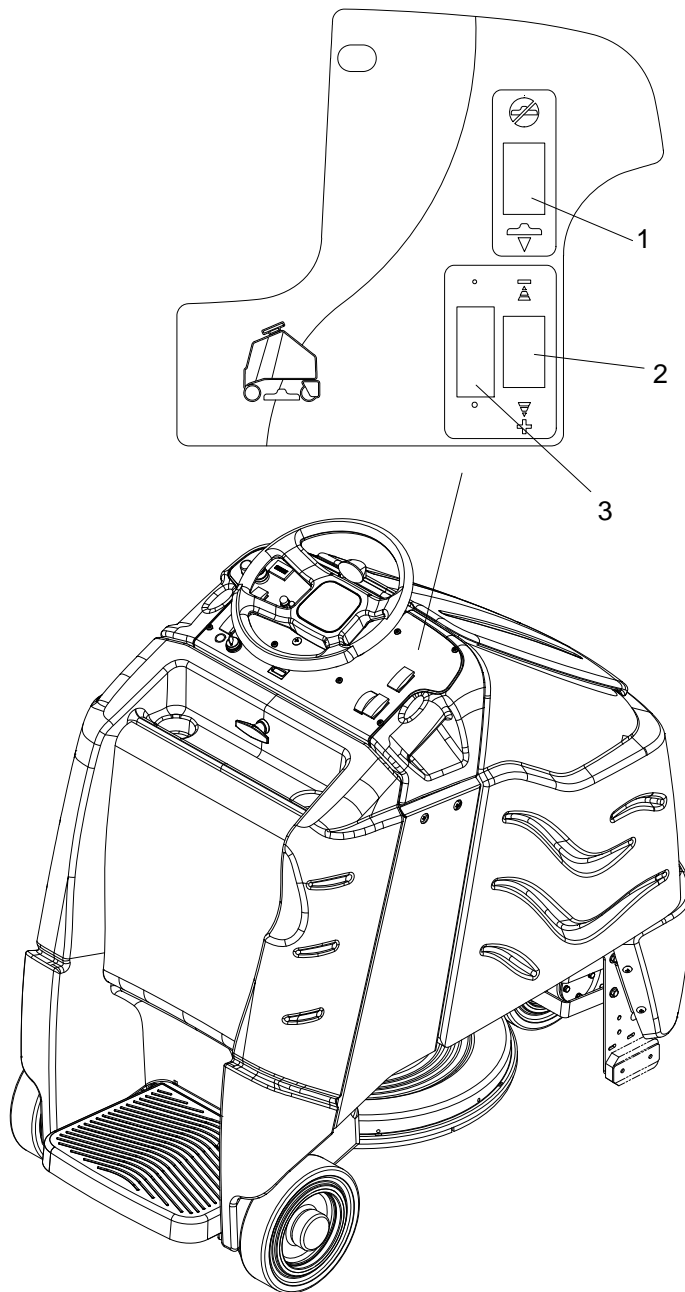
Indicates the charge level of the batteries.

The meter display is divided into 10 vertical bars. Bars illuminated on the far right indicate full charge. Bars flashing near the left side indicate the batteries should be recharged. Further operation of the machine could damage the machine or the batteries.

If the batteries are not fully recharged, the meter will continue to flash on the left side.

10. HOUR METER-BASIC

Records the number of hours the machine has been in operation. This information is useful in determining when to service the machine.



Burnisher Controls

1. Deck On/Off Switch
2. Pad Pressure Switch
3. Pad Pressure Meter

1. DECK ON/OFF SWITCH

Raises/lowers burnisher head.

To lower head, press the bottom of the switch. To raise head, press the top of the switch.

The motor will run only when the head is down and the machine is propelling.

2. PAD PRESSURE SWITCH

Press switch to adjust pad pressure.

3. PAD PRESSURE METER

Indicates relative pad pressure. "Green area" indicates proper pad pressure range.

Pre-run Machine Inspection

Do a pre-run inspection to find possible problems that could cause poor performance or lost time from breakdown. Follow the same procedure each time to avoid missing steps.

NOTE: See maintenance section for pre-run machine inspection checklist items.

Starting Machine

NOTE: Perform pre-run machine check before operating machine.

FOR SAFETY: Before starting machine, make sure that all safety devices are in place and operating properly.

1. Disconnect the battery charger.
2. Close the cover.
3. Turn or install a new burnishing pad as needed.
4. Stand on the operator platform. Throttle pedal must be in neutral position.
5. Turn the machine power on by turning key switch clockwise to the "ON" position.
6. Check the position of the Directional Control Switch to make sure the machine will travel in the direction intended.
7. Press the Drive Reset Switch.
8. Press lightly on the throttle pedal with right foot.

Operating the Machine

1. Lower or raise deck by pressing burnishing head switch.
2. The pad motor will only run when the burnishing head is lowered to within 2 inches of the floor.
3. The pad pressure is adjusted using the pressure switch at right of panel. The operator monitors the amp draw using the meter located on the control panel and ensures that the needle remains in the "green" operating range.

To prevent possible damage to the floor surface, always keep the machine moving while the pad is spinning.

4. When the head is down and the machine is propelled, the pad motor runs.
5. Return the machine to the battery charger when the battery light indicator meter indicates discharged batteries

Emergency Stop Procedure

Release the throttle pedal by lifting right foot.

Turn machine power off with key switch, by turning key switch counterclockwise.

If an electrical problem is suspected, push in emergency stop button. This will also engage the parking brake and cause the machine to stop immediately.

To Begin Burnishing

When operating the machine around people, pay close attention for unexpected movement. Use extra caution around children.

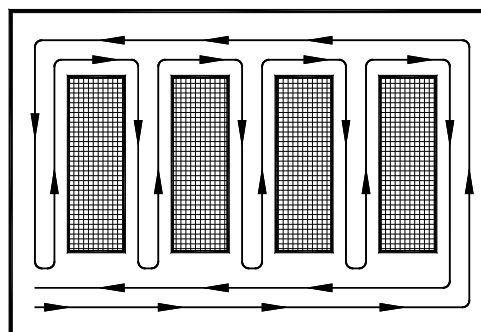
1. Stand on the operator platform. Throttle pedal must be in neutral position.
2. Turn machine power on.
3. Check position of Directional Control Switch to ensure that machine is set to travel in direction intended.
4. Press the Drive Reset Switch.

Normal Burnishing

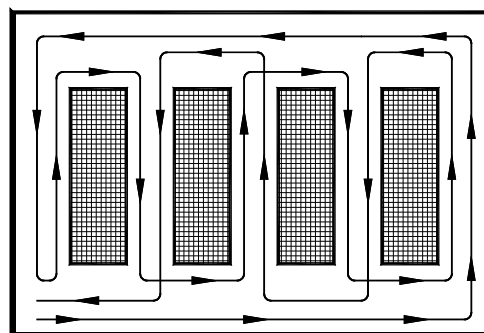
Plan the burnishing pattern in advance. The longest track is around the perimeter of the area to be burnished. For efficient operation, the runs should be the longest possible without turning, stopping, or raising or lowering the burnisher head.

In order to achieve the best possible results, the area which is to be burnished should be swept before burnishing.

INEFFICIENT BURNISHING PATH



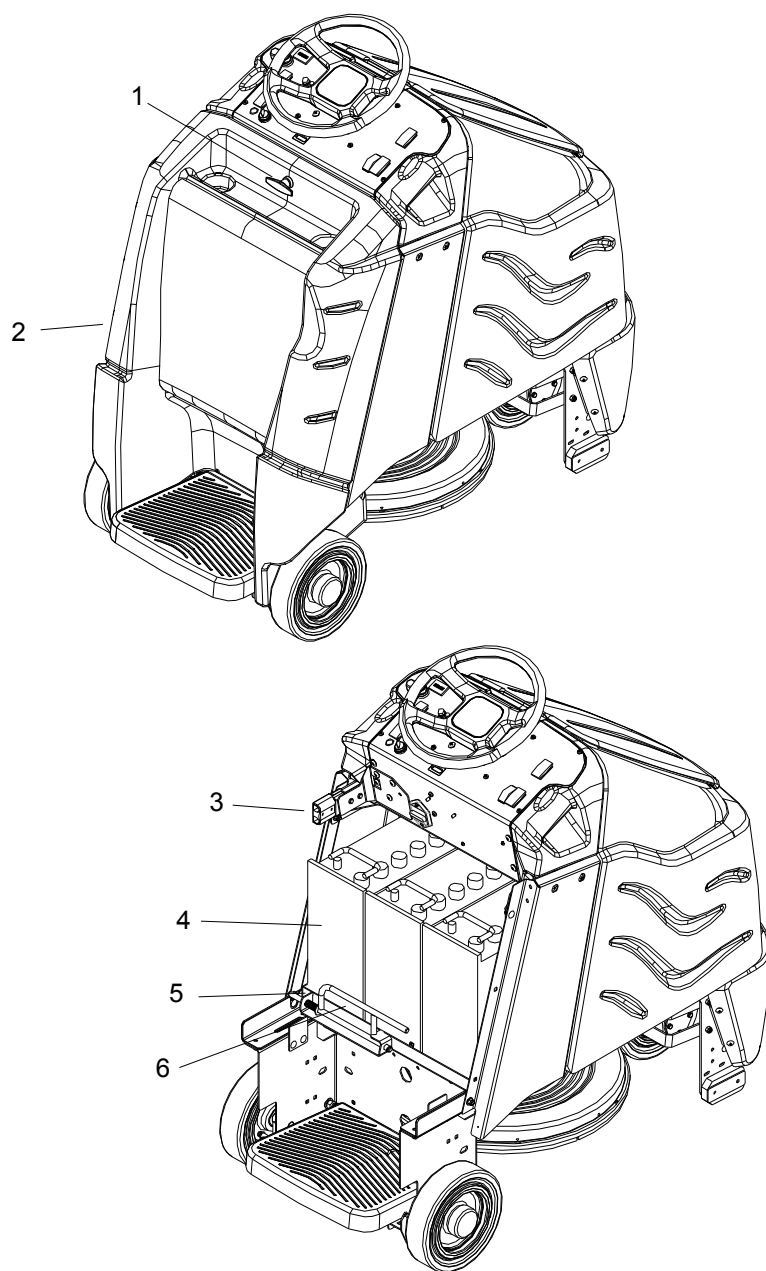
RECOMMENDED BURNISHING PATH



Service Schedule

MAINTENANCE	BEFORE EACH WORK PERIOD	AFTER EACH WORK PERIOD	50 HRS	100 HRS	200 HRS
Check water level of batteries after charging; add distilled water if necessary.	*				
Visually check for damaged or worn tires.	*				
Check pad for proper installation.	*				
Check dust vacuum hose connections.	*				
Check pedal(s), brake and steering for proper operation.	*				
Check dust bag.		*			
Charge batteries.		*			
Clean off top of batteries.			*		
Check battery cells with hydrometer.			*		
Check battery connections are tight.			*		
Clean battery cases and battery compartment.				*	
Clean and check drive tension chain for wear and tension.				*	
Check parking brake.					*
Clean pivot points on burnishing head.					*
Check drive motor for carbon brush wear.					*
Check steering chain tension.					*

The pad drive motor contains no carbon brushes and requires not service.



Batteries

- | | |
|-------------------------------|-----------------------|
| 1. Rear Cover Retainer Handle | 4. Batteries |
| 2. Rear Cover | 5. Battery Tray |
| 3. Battery Connector-Machine | 6. Battery Tray Latch |

Batteries

The batteries provide the power to operate the machine. The batteries require regular maintenance to keep them operating at peak efficiency.

The machine batteries will hold their charge for long periods of time, but they can only be charged a certain number of times. To get the greatest life from the batteries, charge them when their charge level reaches 25% of a full charge. Use a hydrometer to check the charge level.

Do not allow the batteries to remain in a discharged condition for any length of time. Never expose a discharged battery to temperatures below freezing. Discharged batteries will freeze causing cracked cases. Do not operate the machine if the batteries are in poor condition or if they have a charge level below 25% (specific gravity below 1.155).

Keep all metallic objects off the top of the batteries, as they may cause a short circuit. Replace worn or damaged cables and terminals.

Check the electrolyte level in each battery cell before and after charging the batteries. Never add acid to the batteries, use distilled water. Do not allow water level to fall below the battery plates. Portions of plates exposed to air will be destroyed. Do not overfill. Keep plugs firmly in place at all times.

⚠ CAUTION:

When servicing machine, avoid contact with battery acid.

⚠ WARNING:

Batteries emit hydrogen gas. Explosion or fire can result. Keep sparks and open flame away. Keep covers open when charging.

⚠ WARNING:

Wear eye protection and protective clothing when working with batteries.

⚠ WARNING:

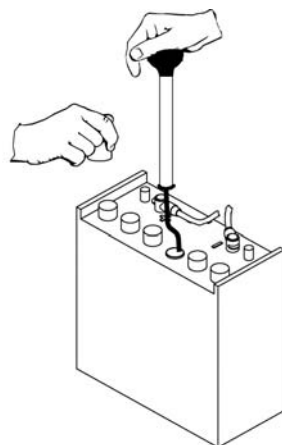
Charge batteries in a well ventilated area.

Battery Maintenance

1. When cleaning the batteries, use a solution of baking soda and water. Do not allow the cleaning fluid to enter the battery cells, electrolyte will be neutralized.
2. Maintain the proper electrolyte level in each battery cell. If a cell should accidentally overflow, clean immediately.
3. Wipe off the top of the batteries at least once a week.
4. Test battery condition with a hydrometer at least once a week. Test battery condition with a hydrometer at least once a week.
5. Ensure that all connections are tight and all corrosion removed.
6. Every 4 to 6 months, remove that batteries from the machine and clean the battery cases and battery compartment.

Checking Battery Specific Gravity

Use a hydrometer to check the battery specific gravity.



NOTE: Do not take readings immediately after adding distilled water, if the water and acid are not thoroughly mixed, the reading may not be accurate.

Check the hydrometer readings against this chart.

SPECIFIC GRAVITY @ 80° F (27°C)	BATTERY CONDITION
1.265	100% CHARGED
1.225	75% CHARGED
1.190	50% CHARGED
1.155	25% CHARGED
1.120	DISCHARGED

NOTE: If the readings are taken when the battery electrolyte is any temperature other than 80°F (27°C), the reading must be temperature corrected.

To find the corrected specific gravity reading when the temperature of the battery electrolyte is other than 80°F (27°): Add (+) to the specific gravity reading 0.004 (4 points), for each 10°F (6°C) above 80° (27°C).

Subtract (-) from the specific reading 0.004 (4 points), for each 10°F (6°C) below 80°F (27°C).

Charging Batteries

⚠ WARNING:

When servicing machine, avoid contact with battery acid.

⚠ WARNING:

Batteries emit hydrogen gas. Explosion or fire can result. Keep sparks and open flame away. Keep covers open when charging.

⚠ WARNING:

Wear eye protection and protective clothing when working with batteries.

⚠ WARNING:

Charge batteries in a well ventilated area.

Use a 36 volt, 20 amp maximum output DC charger which will automatically shut off when the batteries are fully charged.

1. Empty recovery tank.
2. Stop the machine in a clean, well ventilated area next to the charger.
3. Turn "OFF" machine.

FOR SAFETY: Before leaving or servicing machine; stop on level surface, turn off machine and remove key.

4. Unplug the machine from the battery pack. Remove front cover. Disconnect recovery hose from "Y" tube. Raise recovery tank and verify prop rod latch is safely engaged.

⚠ WARNING:

Batteries emit hydrogen gas. Explosion or fire can result. Keep sparks and open flame away. Keep covers open when charging.

5. Check the electrolyte level in each battery cell. Before charging, add just enough distilled water to cover the plates. After charging is complete, add just enough distilled water to bring up the level to the indicator ring. If the water level is too high before charging, normal expansion rate of the electrolyte may cause an overflow resulting in a loss of battery acid balance and damage the machine.

5. Replace the battery caps, and leave them in place while charging.
6. Unplug the battery connector from the machine.

SAFETY: When charging, connect the charger to the batteries before connecting the charger to the AC wall outlet. Never connect the charger to the AC wall outlet first. Hazardous sparks may result.

7. Plug the charger connector into the battery connector. Connect the charger AC plug to a wall outlet. The charger gauge should indicate that the batteries are charging.
8. When the batteries are fully charged, disconnect the charger from the AC wall outlet, then disconnect the charger from the batteries.
9. Connect the batteries to the machine connector.
10. Check the electrolyte level. It should be up to the indicator ring. If necessary, add distilled water.
11. Install the rear cover.

Changing Batteries

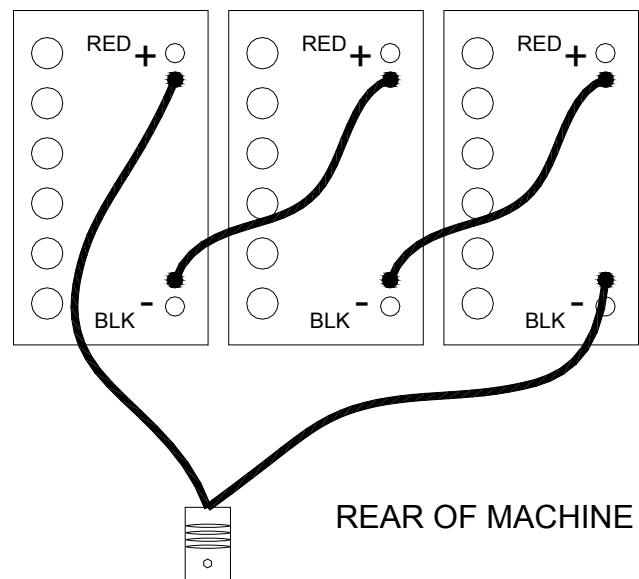
Stop the machine in a clean area next to the charger. Turn off machine.

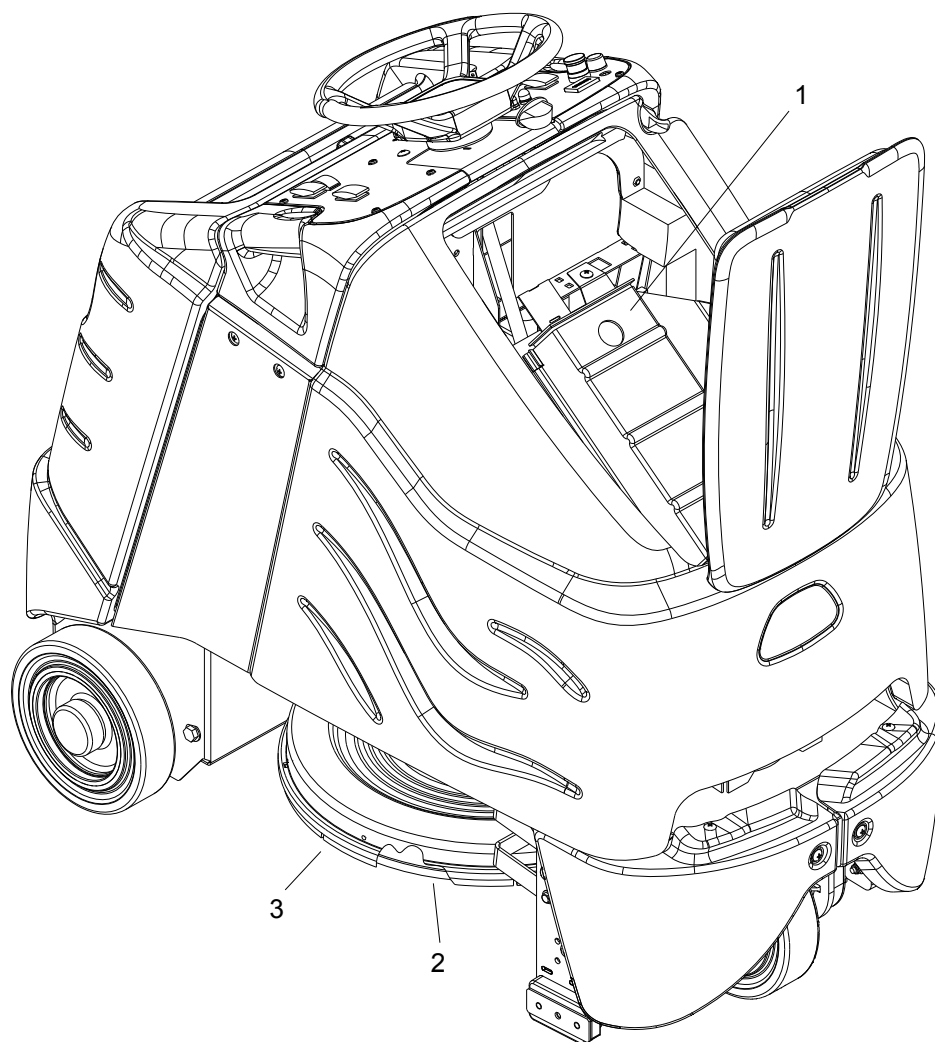
SAFETY: Before leaving or servicing the machine; stop on level surface, turn off machine and remove key.

1. Remove the rear cover.
2. Disconnect battery pack from machine.
3. Unlatch battery tray from machine and pull out to expose batteries.
4. Use the proper size open end wrench to disconnect main ground wire first and secure cable terminal away from batteries.
5. Disconnect main positive lead and secure cable terminals away from batteries.
6. Loosen both terminals on each jumper cable and remove one at a time.
7. Prepare a suitable site to place the batteries.
8. Attach suitable battery lifting device and lift batteries from the machine.

⚠ WARNING:

Batteries are a potential environmental hazard. Consult your battery supplier for safe disposal methods.





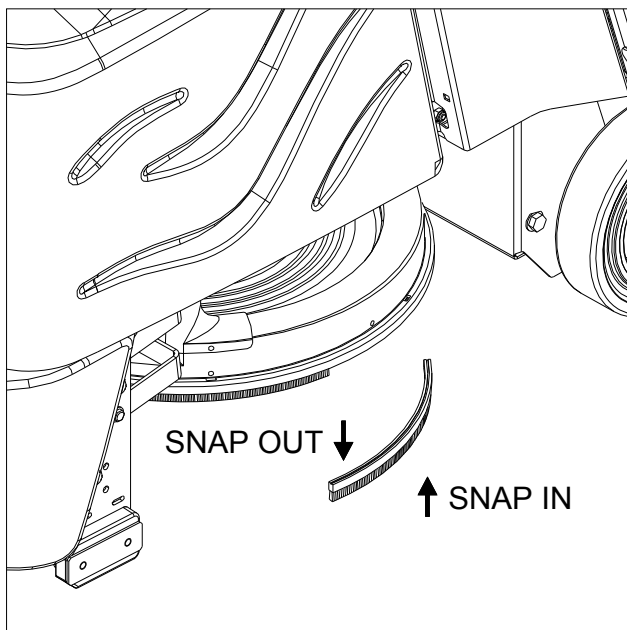
1. Dust Bag/Filter
2. Pads
3. Skirts

Dust Bag Replacement

1. Raise cover to expose filter cover.
2. Using lifting access hole, lift bag cover.
3. Carefully remove bag from hose.
4. Slide a new bag onto hose. Ensure bag is pushed on so that top of bag rest on top lip of filter cover.

Dust Control Skirts Replacement

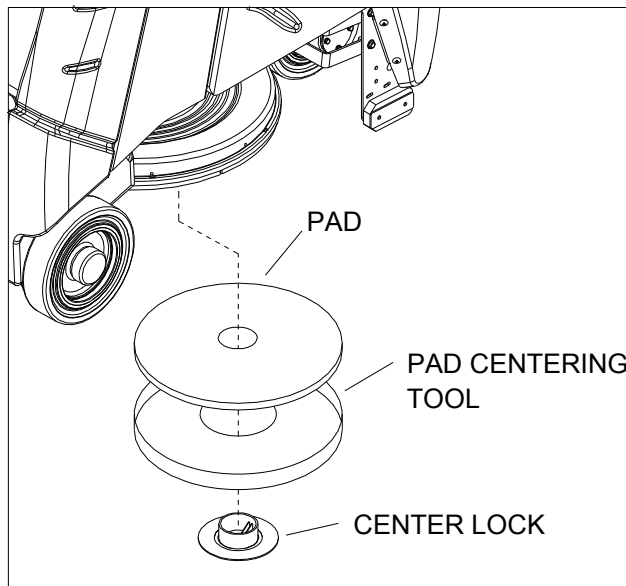
1. Replace skirts when worn, torn, or damaged in any way that allows dust to escape.
2. Remove skirt strips by pulling down.
3. Insert new skirt strips and snap them into place.



Pad Installation

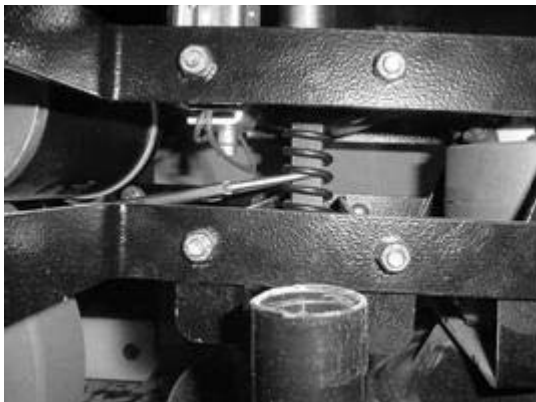
Install pad using the pad centering tool (86064370 - PRV NO. 66829).

1. Lay the pad in the pan and position under the pad driver. The edges of the pan will align the pad and driver.
2. Screw the center lock in place through the hole in the pan. The center lock has a right hand thread.
3. The pad centering tool can be stored under the hood.



Pad Driver Replacement

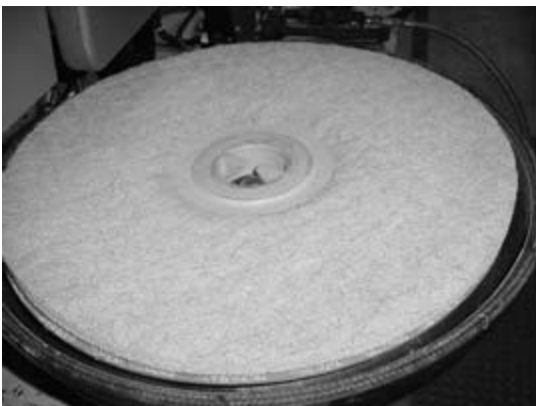
Turn key switch on to lower deck down. Use needle nose vise grips to clamp together spring retainer bars between spring.



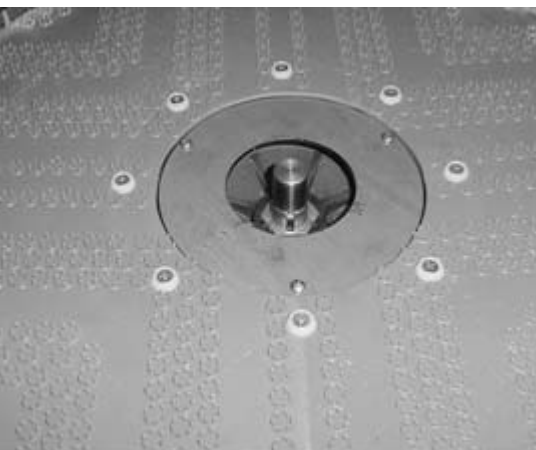
Remove the four bolts holding deck assembly onto frame. Two bolts on each side.



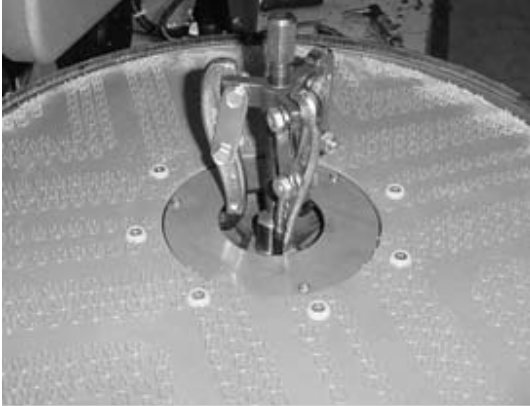
Label and remove wires coming off of motor. Disconnect by unplugging motor wire harness from machine wire harness. Take note cable tie locations.



Slide deck out from under machine and turn deck assembly over on to motor. Remove pad lock and pad.



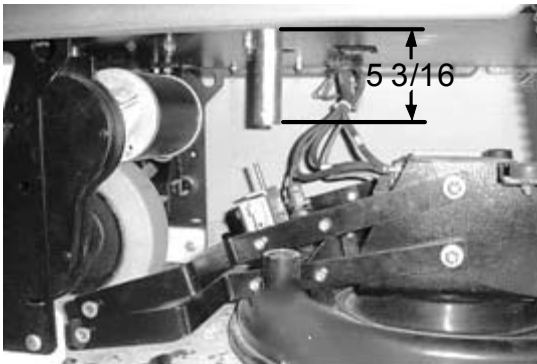
Attach metal ring (86082070 - PRV NO. 629000) using same screws that held pad lock keeper. Screw in spacer (862454470 - PRV NO. 739000) into motor shaft.



Use Gear puller to remove pad driver from motor shaft. Take care not to misplace motor shaft key.



Install new pad driver, motor shaft key, spacer, washer and bolt. Then install pad lock keeper, pad and pad lock. Turn deck assembly over onto pad.



Reattach wires to motor and connect motor wire harness to frame harness. Tie wires in place. Set actuator barrel by rotating barrel up or down to set barrel at $5\text{-}3/16 \pm 1/8$ from bottom of frame to bottom of barrel.

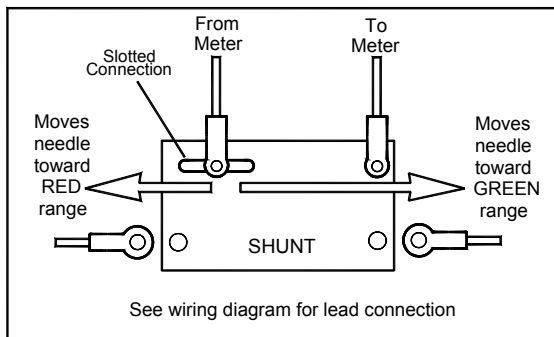


Reattach deck assembly to frame. Install actuator barrel on to spring retainer bars. Lift bottom of deck using your hand to align hole for clevis pin. Install clevis and rue ring.

Turn machine on, raise deck, drive machine check that machine is working properly. If not recheck actuator barrel and reset again if needed.

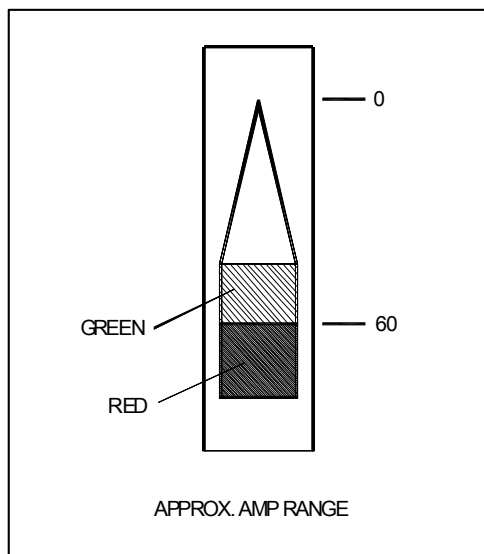
Shunt Replacement

This pad pressure meter adjustment is factory set. Over the course of time it may become necessary to adjust this setting using the slotted connection on the shunt.



Check the amp range when nuisance tripping of the pad motor controller indicates that the shunt may be out of adjustment.

1. Connect a DC ampere meter to the positive battery

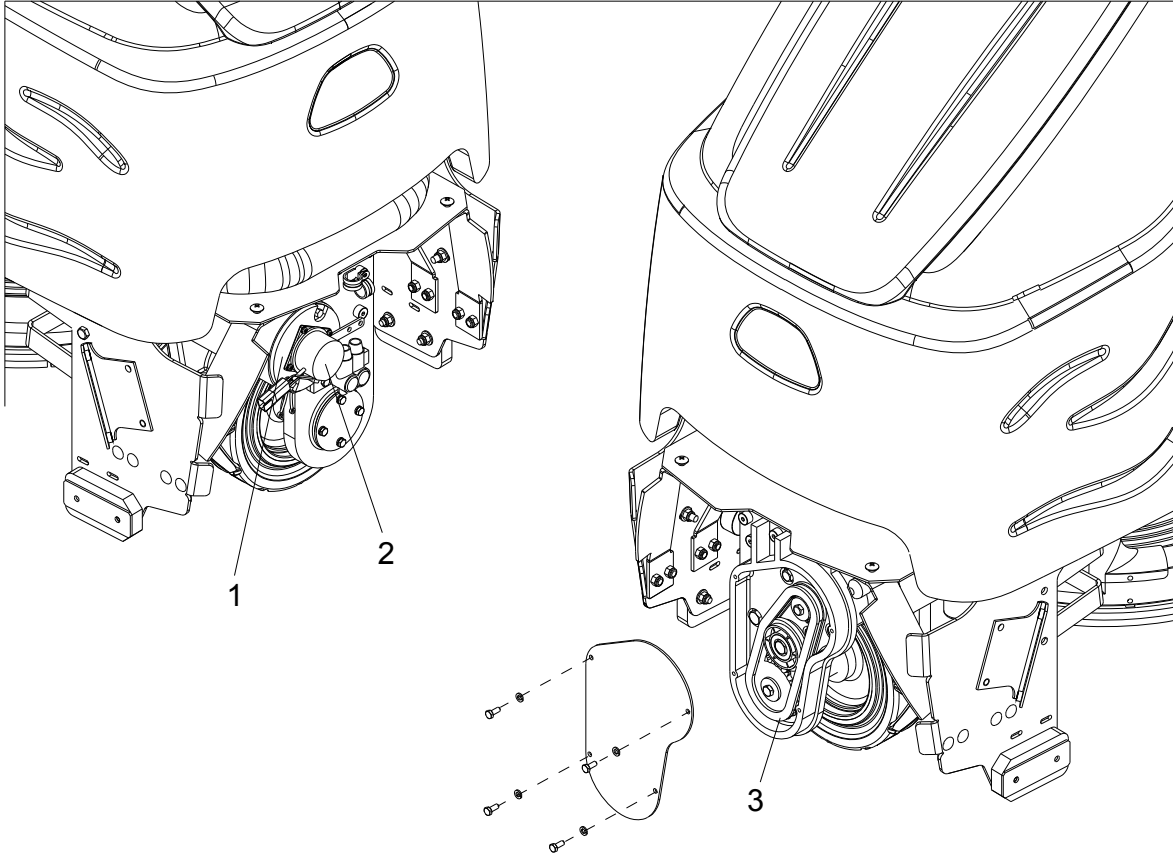


lead. Running the machine with a pad, lower the pad to the floor until it is operating at 60 5 amps.

2. Moving the wire in the slot, adjust the pad pressure meter until the needle sets at the line between the blue and red areas.

Burnisher Motor Carbon Brush Replacement

1. Mark location of cable lugs on motor housing.
2. Remove four screws from top cover. Remove cover from motor.
3. Remove four screws from brush housing. Lift brush housing off of motor commutator.
4. Clean excessive carbon deposits off of motor components with compressed air.
5. Prepare new brush assembly for use by inserting individual brush springs into brush guides. Check each brush to ensure proper movement after installing springs.
6. Locate new brush assembly according to locations marked in step 1. Depress brushes as required to insert brush housing over commutator.
7. Check that motor spins freely with new brushes installed. Replace four screws to secure brush housing. Replace motor cover.



Drive Motor & Brake

1. Drive Motor
2. parking Brake
3. Drive Chain

Electric Parking Brake Engagement

FOR SAFETY: Before leaving or servicing machine, stop on a level surface, turn off machine and remove key.

Electric Brake Engagement

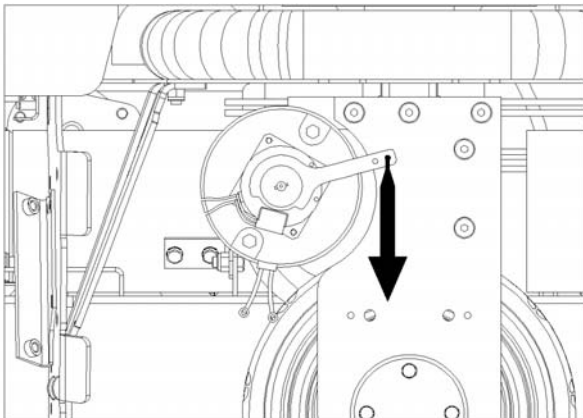
This machine is equipped with an electric parking brake.

The brake automatically engages and keeps the machine from moving whenever the operator steps off the platform or when emergency stop is engaged.

The brake has a mechanical over-ride that can be engaged so machine can be pushed or towed (slowly).

When the mechanical over-ride is engaged the machine cannot be driven.

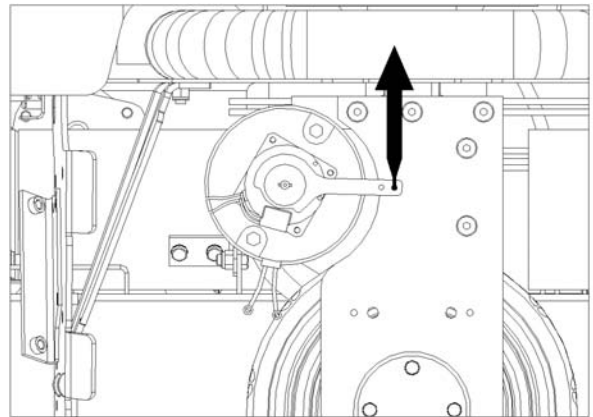
To engage brake:



1. Mechanical over-ride engaged. Machine can be pushed or towed (slowly).
2. Push lever firmly in direction of arrow

NOTE: There is an intermediate stop. Make sure lever is fully in the down position.

To disengage brake:



1. Mechanical over-ride disengaged Machine can be driven.
2. Push lever firmly in direction of arrow.

Drive Motor Carbon Brush Replacement

Do not use a pressure washer to clean around the motors. Use tap pressure only.

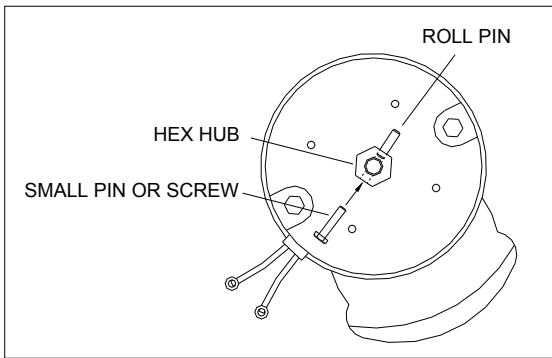
FOR SAFETY: Before leaving or servicing machine, stop on a level surface, turn off machine and remove key.

1. Disconnect batteries from machine.
2. Disconnect the electrical connection to the traction motor.

BRAKE REMOVAL

(Must be done to access carbon brushes)

3. Remove 4 mounting screws and remove brake.
4. Drive roll pin out of the hex hub enough to allow hex hub to slide off shaft. Its is recommended that the roll pin be left partially in the hex hub.

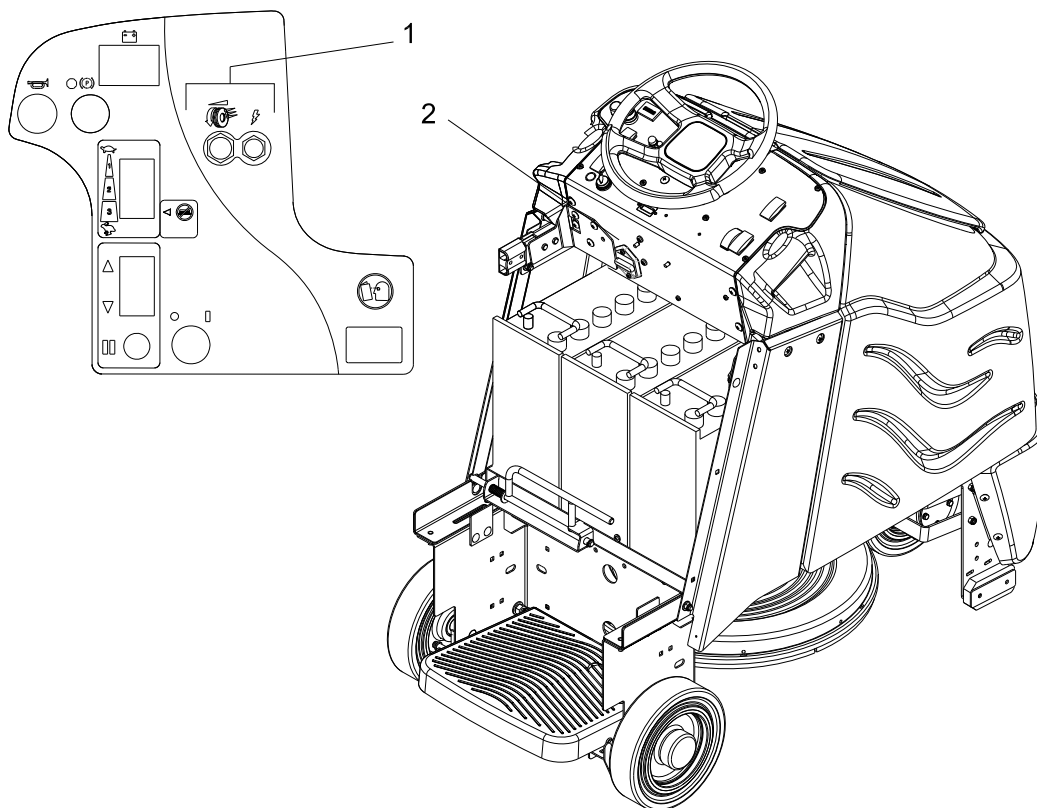


5. Remove brush cap.
6. Release brush from spring tension. Remove screw connecting brush wire lead to brush holder. Clean brush holder to insure free movement.

7. Install new brush and reinstall connecting screw and lead.
8. When all new brushes are installed. Place all in retracted position, held into brush holder by spring tension.
9. Carefully replace brush cap.

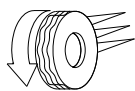
Reinstalling:

10. When replacing the hex hub, use a small pin or screw to help align the holes.
11. Drive the pin into the hub and make sure it is flush to the hex surface. The brake will not fit on the hub if the roll pin is protruding from the hub.
12. Replace the hub and use Lock-Tite on the screws.



Circuit Breakers

1. Circuit breakers interrupt the flow of power in the event of an electrical overload. When a circuit breaker is tripped, reset it by pressing the exposed button. If a circuit breaker continues to trip, the cause of the electrical overload should be found and corrected.
2. The burnisher motor breaker is a resettable circuit protection device, designed to stop the flow of electrical current to the burnisher pad motor in the event of an electrical overload. This protects the pad motor. If breaker is tripped, allow breaker to cool for several minutes. Once the breaker has cooled, reset by returning red flag to upward position.



30 Amp. Protects the propel motor.



3 Amp. Protects the machine controls.
(Basic only).

The breaker is located inside the battery compartment as shown.

Troubleshooting

PROBLEM	CAUSE	SOLUTION
No power to machine	Battery disconnected	Check all battery cable connections
	Emergency shut-off activated	Reset
	Battery cables corroded	Clean connections
	Faulty key switch	Replace switch
Little or no propel	Low battery charge	Charge batteries
	Machine turned on with pedal not in neutral position	Allow pedal to return to neutral. Restart
	Tripped circuit breaker	Reset circuit breaker
	Controller overheated	Allow cool down period
	Loose motor connection	Check wires and connections from controller to motor
	Faulty throttle circuit or potentiometer	Check wires and connections from throttle to controller and potentiometer resistance
	Faulty drive reset circuit or switch	Check wires, connections and switch
	Faulty platform circuit or switch	Check wires, connections and switch
	Brake over-ride engaged	Disengage brake over-ride
	Faulty brake circuit or over-ride switch	Check wires, connections and switch
Forward speed only Reverse speed only	Faulty forward/reverse switch	Replace switch
Deck won't go up or down	Circuit breaker tripped	Reset circuit breaker
Pad motor won't run	Circuit breaker tripped	Reset circuit breaker
	Faulty switch or connection	Check switch or connections
	Faulty relay	Check pad motor relay
Deck vibrates	Pad off center	Re-center or replace pad using pad install tool
Dust leaks from skirts	Dust hose blocked	Check for blockage and clear if needed

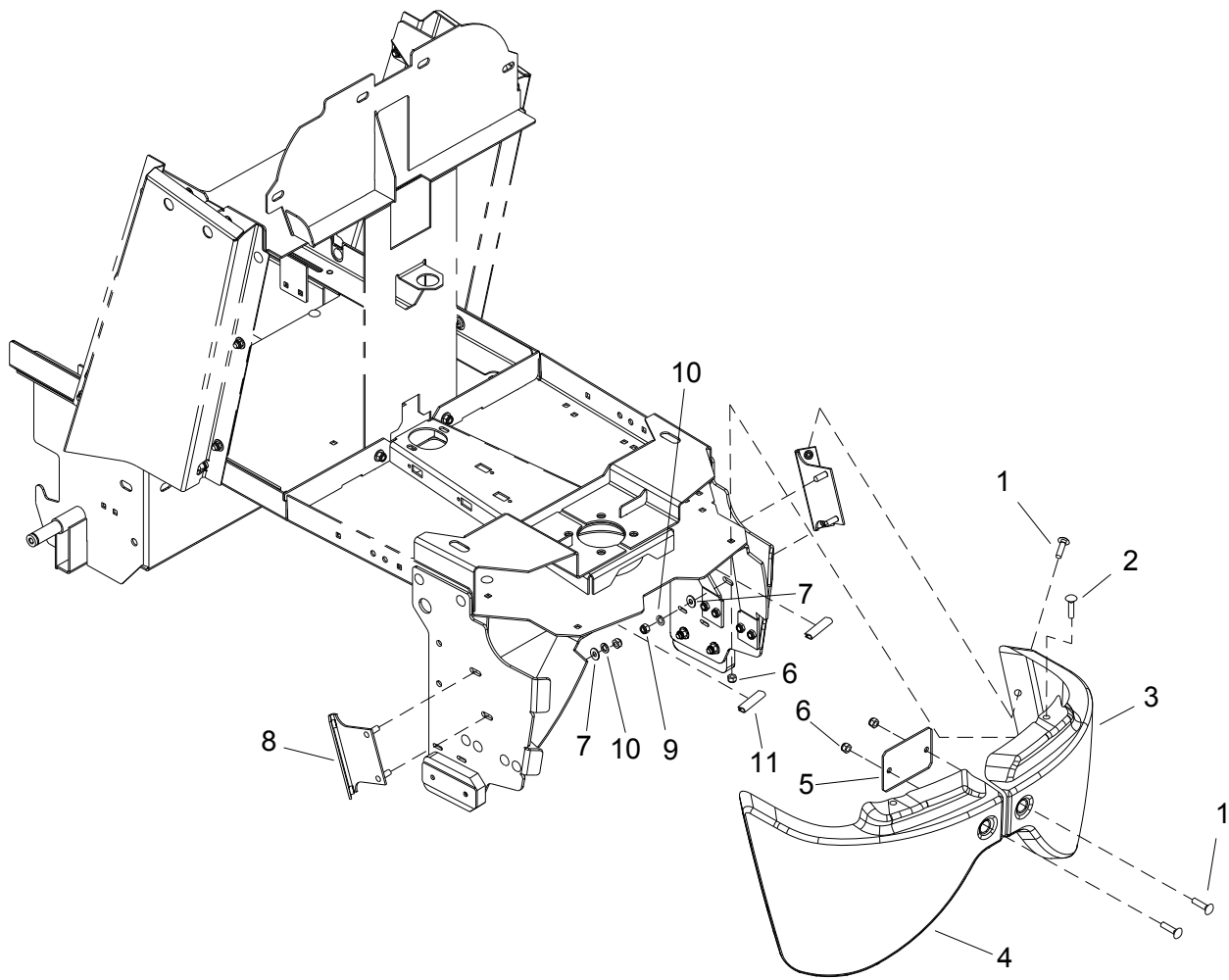
Controller Fault Codes

LED CODE	PROGRAMMER LCD DISPLAY	EXPLANATION	POSSIBLE CAUSE
1,1	THERMAL CUTBACK	over-/under-temperature cutback	<ol style="list-style-type: none"> 1. Temperature >92°C or < -25°C. 2. Excessive load on vehicle. 3. Operation in extreme environments. 4. Electromagnetic brake not releasing.
1,2	THROTTLE FAULT 1	throttle fault	<ol style="list-style-type: none"> 1. Throttle input wire open or shorted. 2. Throttle pot defective. 3. Wrong throttle type selected.
1,3	SPD LIMIT POT FAULT	speed limit pot fault	<ol style="list-style-type: none"> 1. Speed limit pot wire(s) broken or shorted. 2. Broken speed limit pot.
1,4	LOW BATTERY VOLTAGE	battery voltage too low	<ol style="list-style-type: none"> 1. Battery voltage >17 volts. 2. Bad connection at battery or controller.
1,5	OVERVOLTAGE	battery voltage too high	<ol style="list-style-type: none"> 1. Battery voltage >36 volts. 2. Vehicle operating with charger attached. 3. Intermittent battery connection.
2,1	MAIN OFF FAULT	main contactor driver Off fault	<ol style="list-style-type: none"> 1. Main contactor driver failed open.
2,3	MAIN CONT FLTS	main contactor fault	<ol style="list-style-type: none"> 1. Main contactor welded or stuck open. 2. Main contactor driver fault. 3. Brake coil resistance too high.
2,4	MAIN ON FAULT	main contactor driver On fault	<ol style="list-style-type: none"> 1. Main contactor driver failed closed.

LED CODE	PROGRAMMER LCD DISPLAY	EXPLANATION	POSSIBLE CAUSE
3,1	PROC/WIRING FAULT	HPD fault present for >10 sec.	1. Misadjusted throttle. 2. Broken throttle pot or throttle mechanism.
3,2	BRAKE ON FAULT	brake On fault	1. Electromagnetic brake driver shorted. 2. Electromagnetic brake coil open.
3,3	PRECHARGE FAULT	precharge fault	1. Low battery voltage. 2.KSI and throttle turned on at same time.
3,4	BRAKE OFF FAULT	brake Off fault	1. Electromagnetic brake driver open. 2. Electromagnetic brake coil shorted.
3,5	HPD	HPD (High pedal Disable) fault	1. Improper sequence of throttle and KSI. 2. Misadjusted throttle pot.
4,1	CURRENT SENSE FAULT	current sense fault	1. Short in motor or in motor wiring. 2. Controller failure.
4,2	HW FAILSAFE	motor voltage fault (hardware)	1. Motor voltage does not correspond to throttle request. 2. Short in motor or in motor wiring. 3. Controller failure.
4,3	EEPROM FAULT	EEPROM fault	1. EEPROM failure or fault.
4,4	POWER SECTION FAULT	power section fault	1. EEPROM failure or fault. 2. Short in motor or in motor wiring. 3. controller failure.

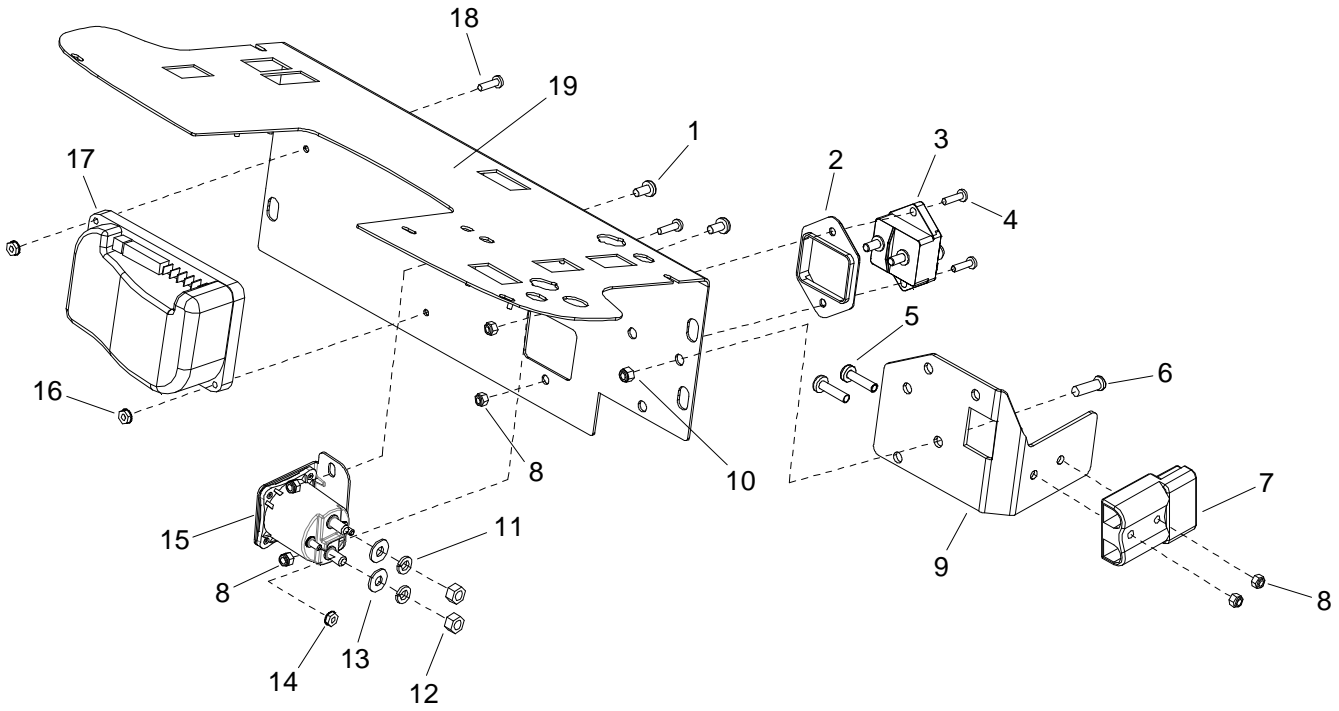
Burnisher

Parts



REF	PART NO.	PRV NO.	QTY	DESCRIPTION	SERIAL NO. FROM	NOTES:
1	86276890	70752	6	SCR, 5/16-18X3/4 PTHMS SS		
2	86007070	70849	2	SCR, #12 X 1.25 PPHMS SS		
3	86063230	140813	1	BUMPER, LEFT		
4	86063240	140814	1	BUMPER, RIGHT		
5	86071020	140783	1	BRKT, FRONT BUMPER		
6	86270830	57023	4	NUT, 5/16-18 HEX NYLOCK SS		
7	86010670	87029	4	WASHER, 5/16 FLAT SS		
8	86070730	140729	2	BRKT, BUMPER MOUNT, SIDE		
9	86197040	57264	4	NUT, 5/16-18 HEX ACORN PLTD		
10	86279130	87083	4	WASHER, 5/16 SPLIT LOCK		
11	86251750	67602	2	RISER, BUMPER		

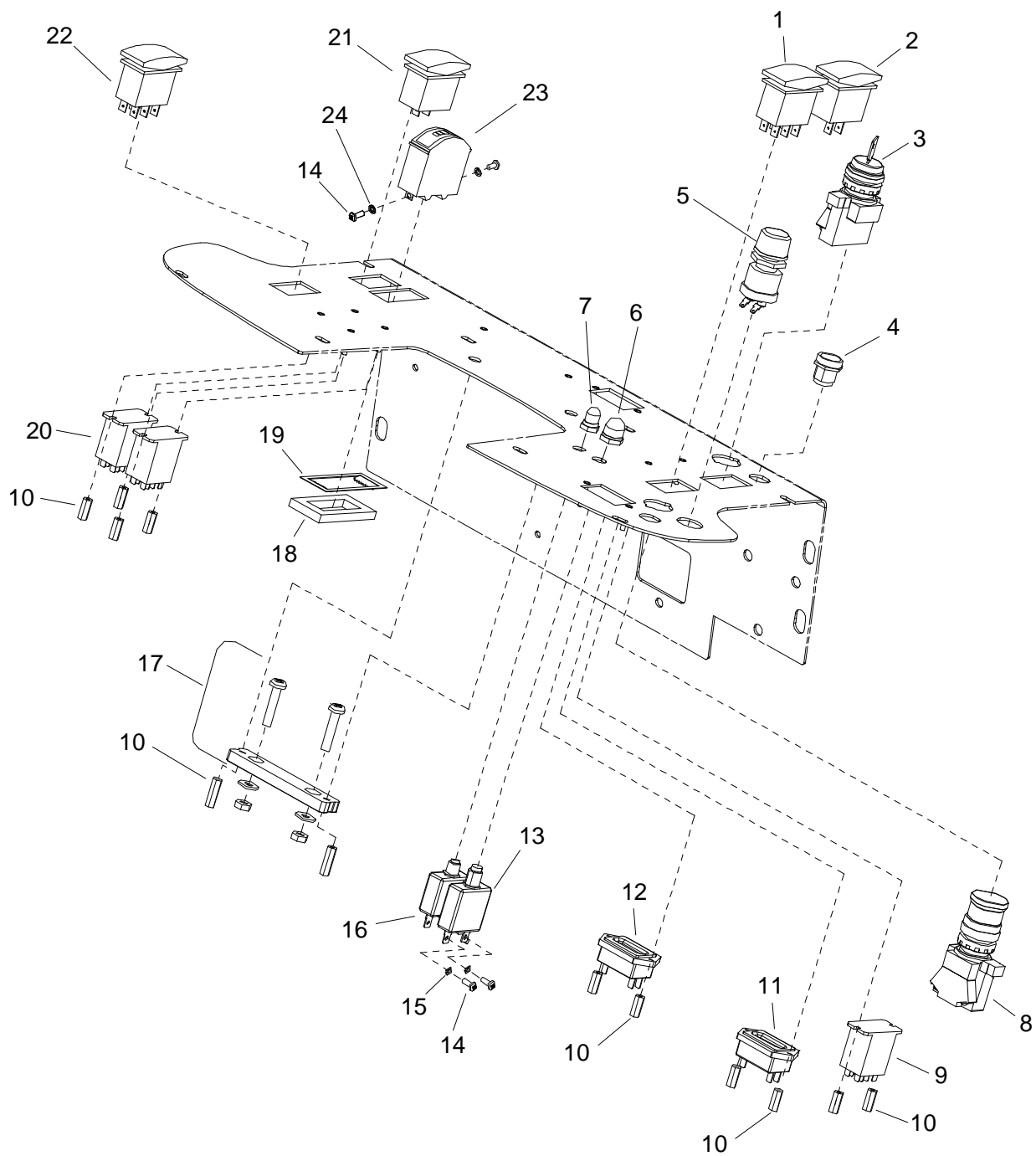
Control Panel 1



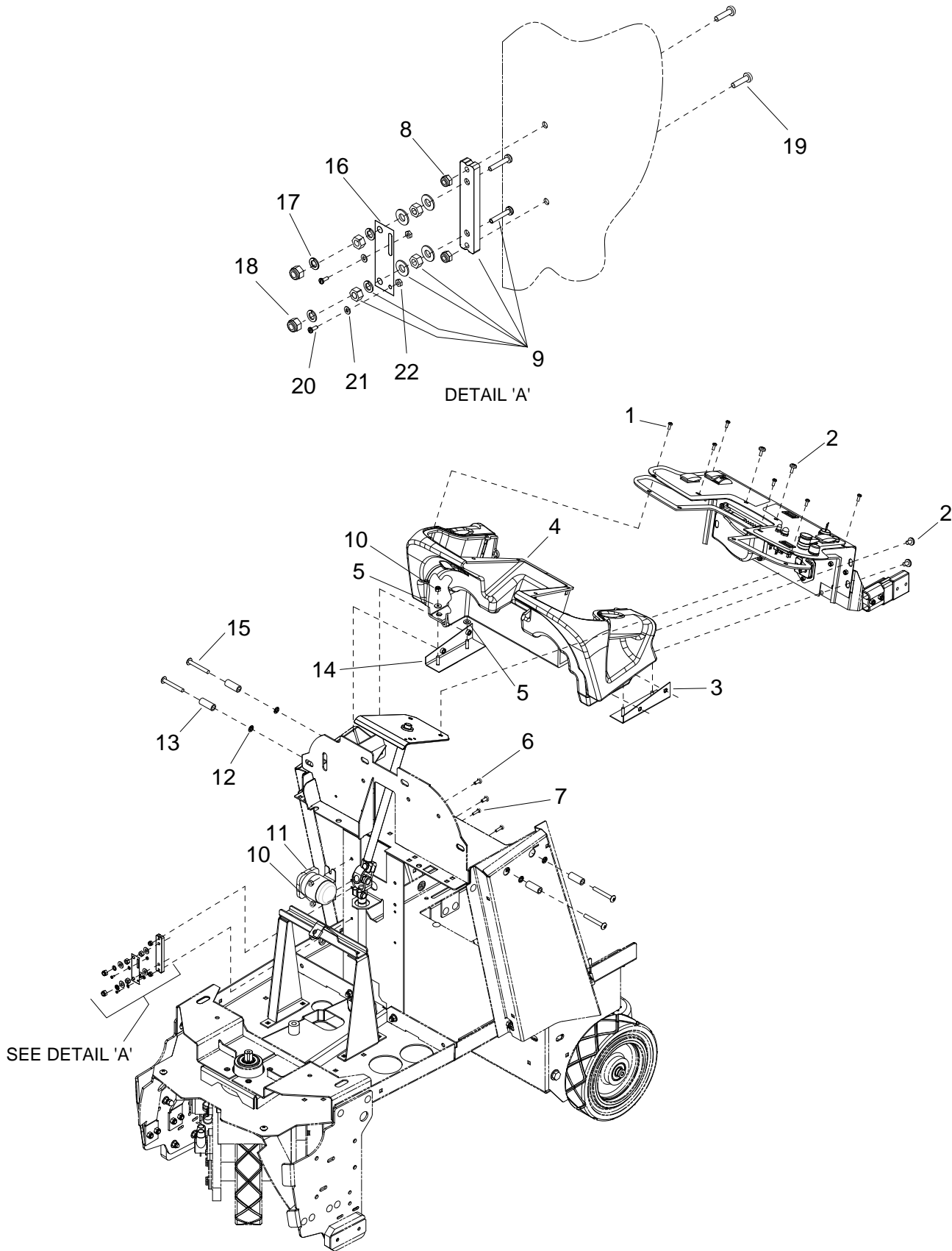
REF	PART NO.	PRV NO.	QTY	DESCRIPTION	SERIAL NO. FROM	NOTES:
1	86223740	70872	2	SCR, 1/4-20 X .59 PPHMS SS C		
2	86340020	-	1	COVER, PANEL MNT BREAKER		
3	86340030	-	1	BREAKER, 100A CIRCUIT		
4	86006530	70057	2	SCREW 1/4-20 X 1 PPHMS SS		
5	86273820	70019	2	SCREW 1/4-20 X 1.25 HHCS SS		
6	86277480	70850	3	SCREW 5/16-18X1/2 PTHMS SS		
7	86008760	80682	1	CONNECTOR 175 DCA GRY W/O TERMS		
8	86005810	80682	6	NUT 1/4-20 HEX NYLOCK SS		
9	86070720	140728	1	BRKT, BATT CONN, BASIC		
10	86271840	57285	3	NUT 5/16-18 HEX NYLOCK THIN SS		
11	86279130	87083	2	WASHER 5/16 SPLIT LOCK PLTD		
12	86271120	57125	2	NUT, 5/16-18 BRASS		
13	86010670	87029	2	WASHER 5/16 FLAT SS		
14	86005700	57104	1	NUT 10-32 W/STAR WASHER PLTD		
15	86371450	-	1	RELAY 36VDC 100A HD	(4)*	
16	86005700	57104	2	NUT 10-32 W/STAR WASHER PLTD		
17	86027740	27911	1	SP CONTROLLER, CE24 PROGRAMMED		
18	86273980	70066	2	SCREW 10-32 X 3/4 PPHMS SS		
19	86340880	-	1	PANEL, BURNISHER		

* SEE SERIAL NUMBER PAGE

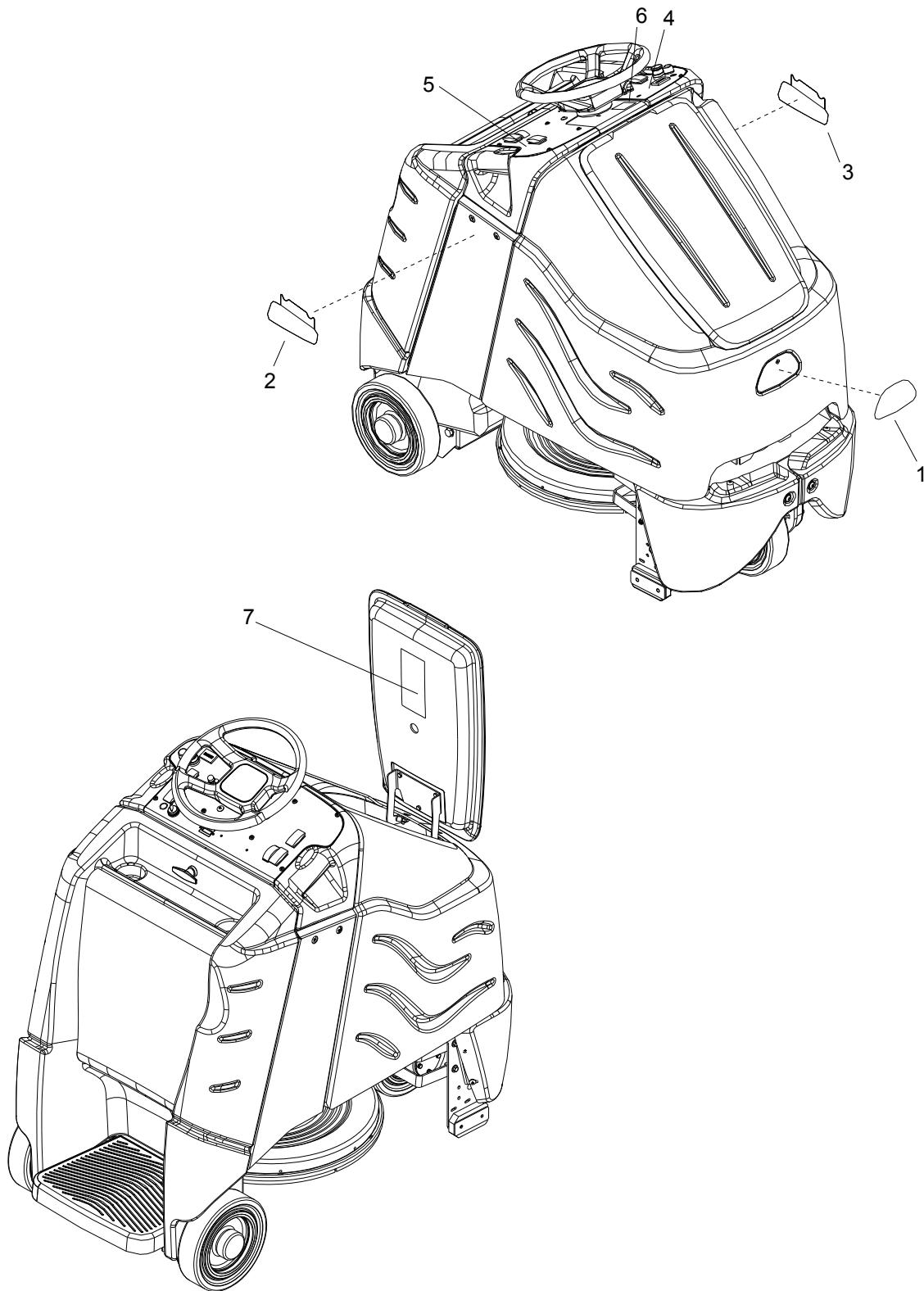
Control Panel 2



REF	PART NO.	PRV NO.	QTY	DESCRIPTION	SERIAL NO. FROM	NOTES:
1	86257110	72189	1	SWITCH 4P3T FIXED POS ROCKER		
2	86007140	72130	1	SWITCH SPST 2-POSITION ROCKER		
3	86007190	72161	1	SWITCH KEY DPST		
4	86257140	72196	1	SWITCH ASM, SEALED PB RND GRN		
5	86257280	81371	1	SWITCH, PUSH BUTTON		
6	86008900	80845	1	BOOT, SEAL-PUSH BUTTON 7/16-28		
7	86002010	14942	1	BOOT, 3/8 CIRCUIT BREAKER		
8	86007180	72160	1	SWITCH EMERGENCY STOP		
9	86251410	67506	1	RELAY 15A 36V MINI		
10	86255900	73538	10	STANDOFF, 6-32 X 5/8 HEX NYL		
11	86246930	54144	1	METER,36V BATTERY CHARGE LEVEL		
12	86005530	51454	1	METER, 12-48 VDC LED HOUR		
13	86001910	14606	1	BREAKER, 30A 50VDC CIRCUIT		
14	86273990	70067	4	SCREW 6-32 X 3/8 PPHMS SS		
15	86279300	87134	2	WASHER, #6 LOCK		
16	86002000	14717	1	BREAKER, 3 AMP 1681-090-300		
17	86229770	140805	1	BLOCK, SHUNT MOUNT		
18	86237830	35264	1	GASKET, AMP METER		
19	86249290	62283	1	PLATE, METER RETAINING		
20	86251410	67506	2	RELAY 15A 36V MINI		
21	86007210	72165	1	SWITCH DPDT 3-POSITION ROCKER		
22	86007130	72128	1	SWITCH DPDT 2-POSITION ROCKER		
23	86246920	54131	2	METER 0-70 AMP DC L2020B		
24	86007130	72128	1	SWITCH DPDT 2-POSITION ROCKER		

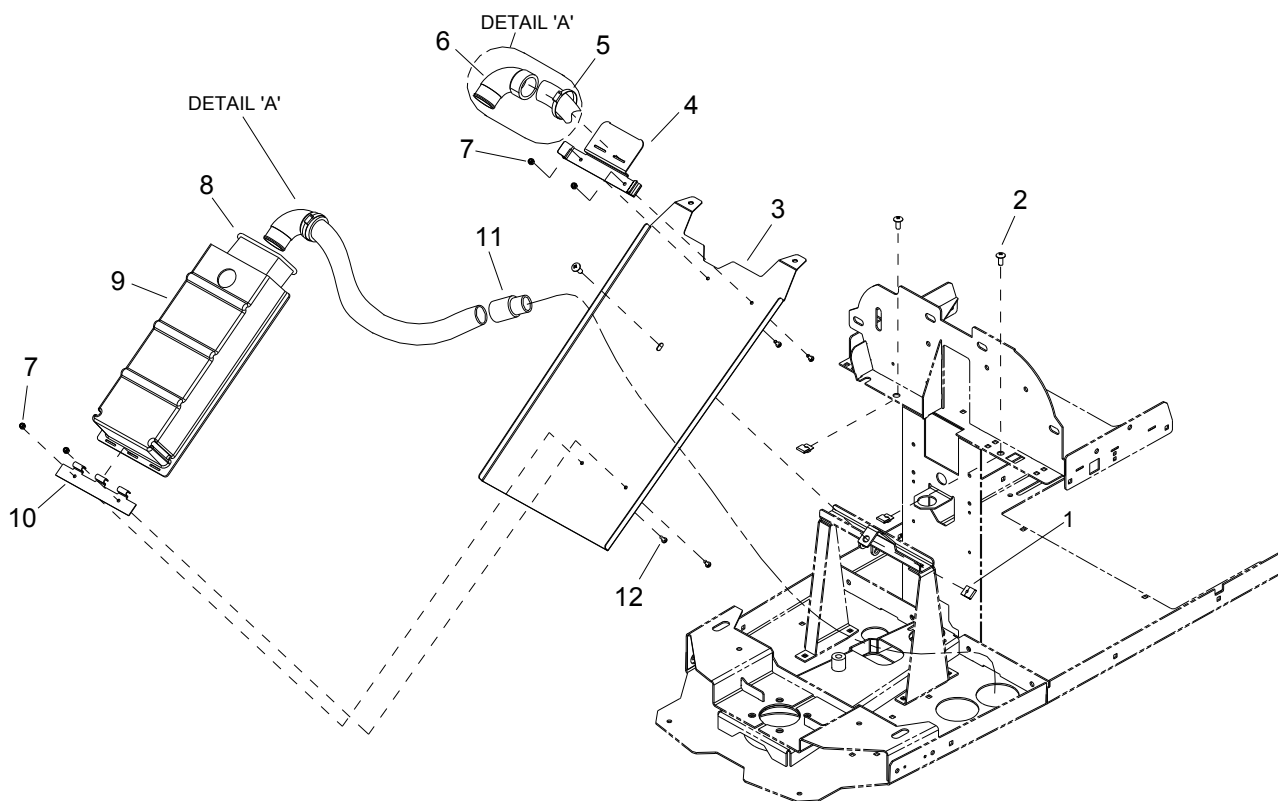


REF	PART NO.	PRV NO.	QTY	DESCRIPTION	SERIAL NO. FROM	NOTES:
1	86290540	-	6	SCREW, 10-32 X .5 TMS SS BLK TL		
2	86277480	70850	2	SCREW, 5/16-18 X .5 PHTRHMS SS		
3	86070710	140726	1	BRKT, LEFT CONSOLE MOUNT		
4	86062220	270117	1	CONSOLE, BURNISHER		
5	86010670	87029	1	WASHER 5/16 FLAT SS		
6	86223740	70872	2	SCR, 1/4-20 X .59 PPHMS SS C		
7	86273980	70066	2	SCREW, 10-32 X .75 PHPNHMS SS		
8	86270990	57090	2	NUT, 10-32 HEX NYLOCK SS		
9	86229770	140805	1	BLOCK, SHUNT MOUNT		
10	86005810	57245	2	NUT, 1/4-20 HEX NYLOCK SS		
11	86340270	-	1	RELAY, 200A		
12	86279750	87252	4	NUT, 5/16 PUSH STL ZNPLT		
13	86089650	78524	4	TUBE, 5/8 OD X .357 ID X 1.57		
14	86070700	140725	1	BRKT, RIGHT CONSOLE MOUNT		
15	86277420	70841	4	SCREW, 5/16-18 X 2.5 PHTRHMS SS		
16	86253600	73445	1	SHUNT, 50MV 70AMP		
17	86010780	87162	2	WASHER, 1/4 X .487 X .062 SPL STL ZNPLT		
18	86005710	57105	2	NUT, 1/4-20 HEXSTRW LK STL ZNPLT		
19	86273980	70066	2	SCREW, 10-32 X .75 PHPNHMS SS		
20	86276250	70615	2	SCREW, 6-32 X .375 SLTDPNHMS BRS		
21	86279600	87187	2	WASHER, 6 X .312 X .025 FLT BRS		
22	86271790	57256	2	NUT, 6-32 HEX BRS		

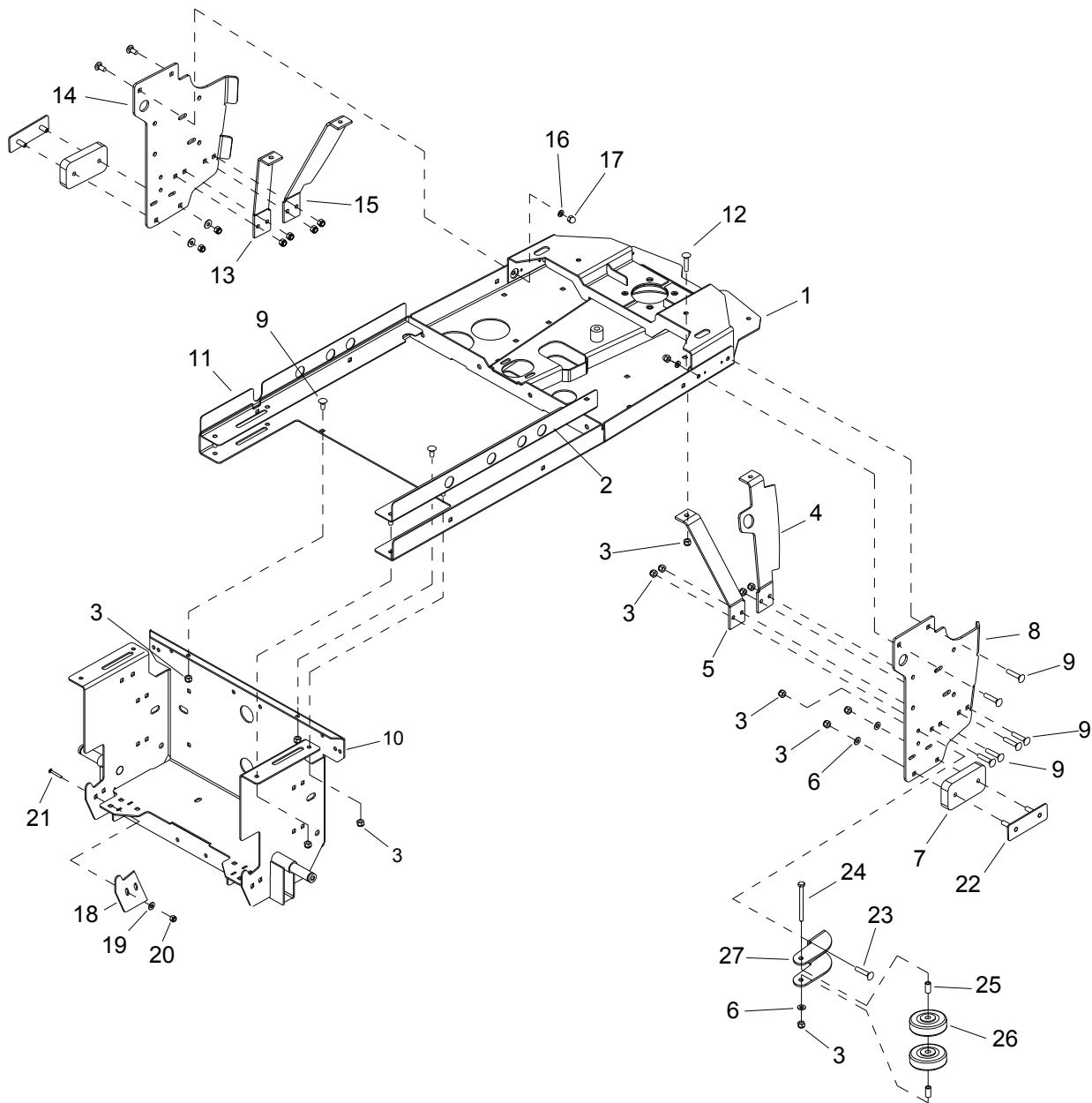


REF	PART NO.	PRV NO.	QTY	DESCRIPTION	SERIAL NO. FROM	NOTES:
1	86004970	50990	1	LABEL, WINDSOR LOGO DOMED		
2	86244760	501224	1	DECAL, CHARIOT SIDE IGLOSS RT		
3	86244770	501225	1	DECAL, CHARIOT, SIDE IGLOSS LT		
4	86244190	500882	1	LABEL, PANEL BASIC LEFT		
5	86340940	-	1	LABEL, PANEL DECAL , RH		
6	86243990	500780	1	LABEL, COVER PANEL		
7	86244350	501050	1	LABEL, PAD ALIGNMENT		

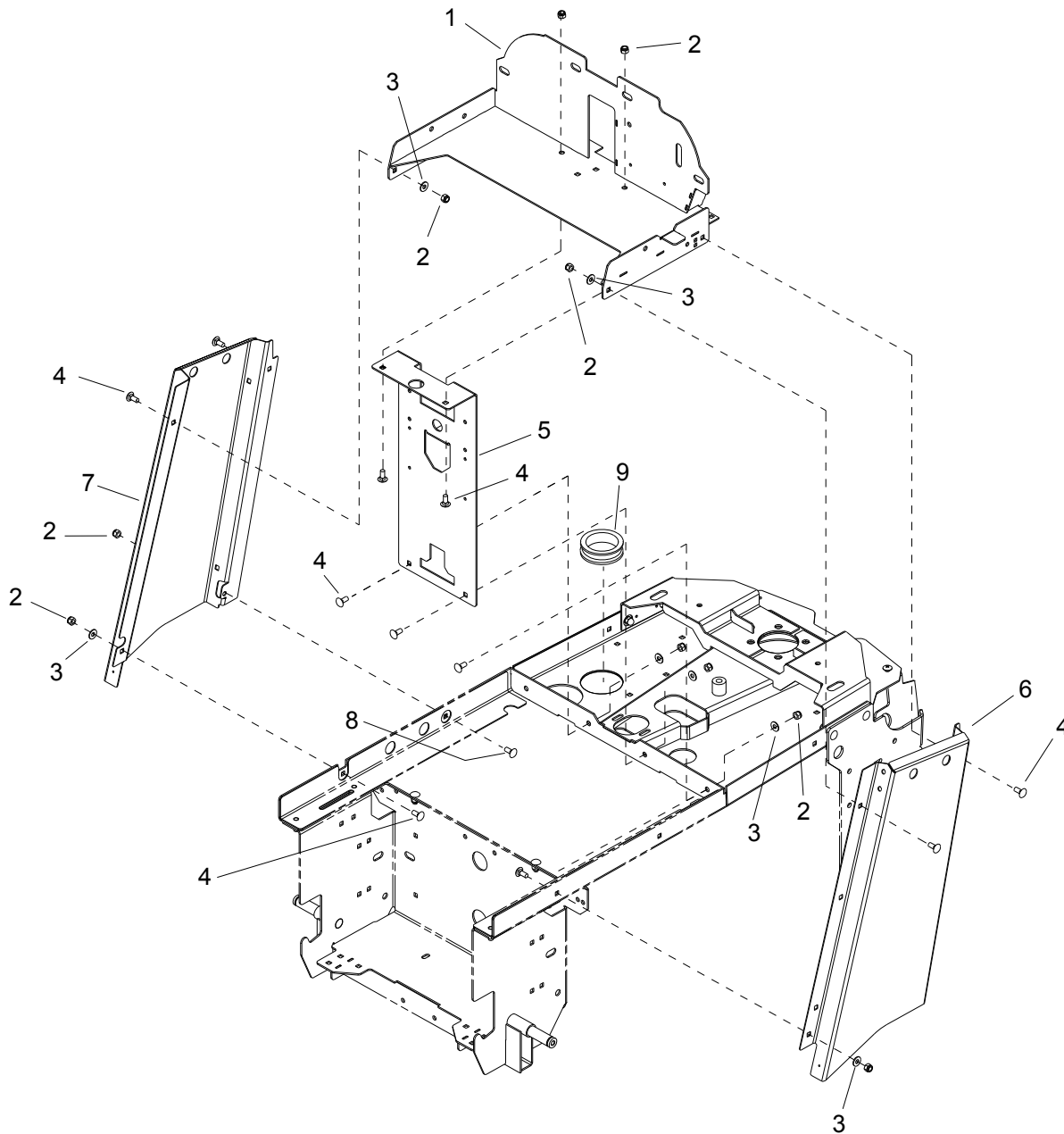
Note: See "Safety Label Location" page for safety label information.



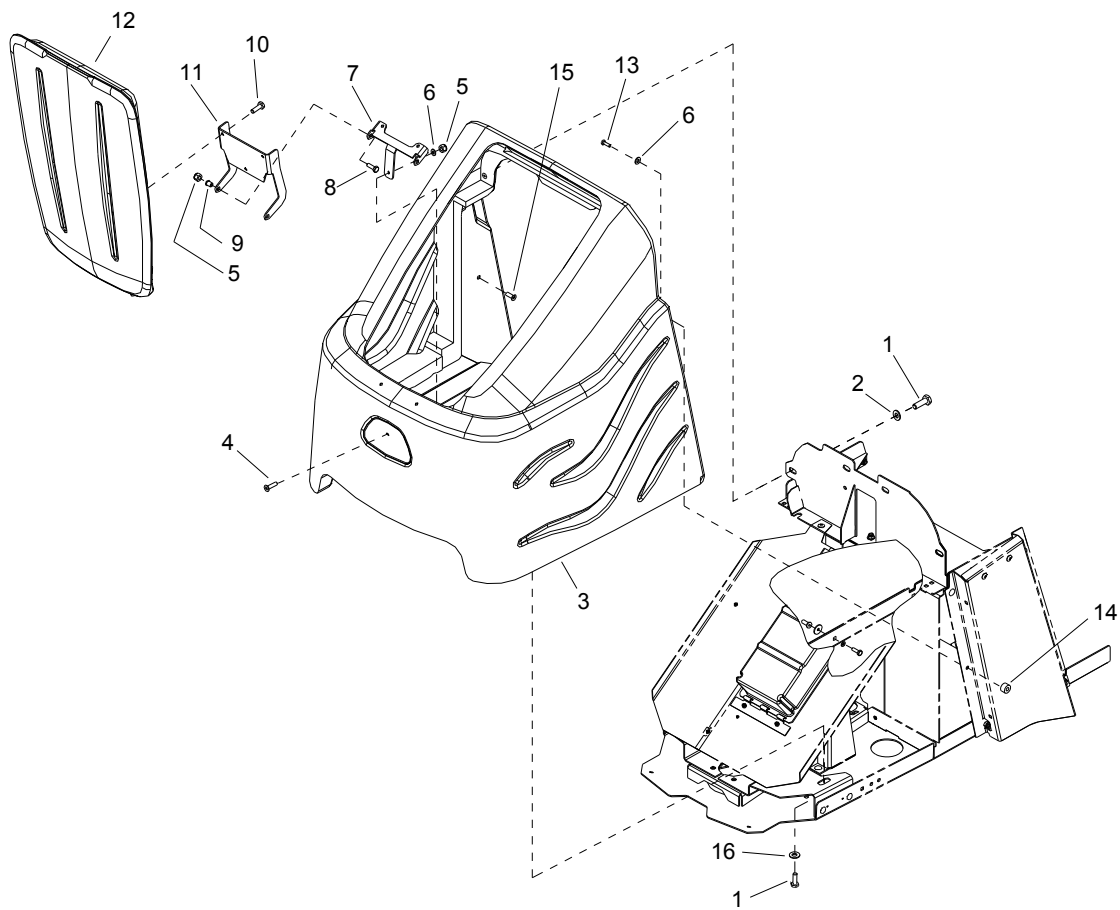
REF	PART NO.	PRV NO.	QTY	DESCRIPTION	SERIAL NO. FROM	NOTES:
1	86271820	57270	3	NUT 5/16-18 CAPTIVE "J" PLTD		
2	86276890	70752	2	SCREW 5/16-18X3/4 PTHMS SS		
3	86340170	-	1	PLATE, FILTER MOUNT		
4	86072500	14398	1	BRKT, FILTER COVER LATCH		
5	86002380	20046	1	CLAMP, 2.25" WORM GEAR		
6	86240320	39729	1	HOSE ASM, 1.5 BLK VAC X 3		
7	86270990	57090	2	NUT 10-32 HEX NYLOCK SS		
8	86284870	2003SM	1	SM FILTER BAG PACKS 10/PKG		
9	86063790	27880	1	COVER FILTER		
10	86072510	14399	1	BRKT, FILTER COVER HINGE		
11	86002840	27282	1	CUFF, 1.5 SLIP X 1.5 HOSE		
12	86006590	70088	1	SCREW 10-32 X 1/2 PPHMS SS NP		



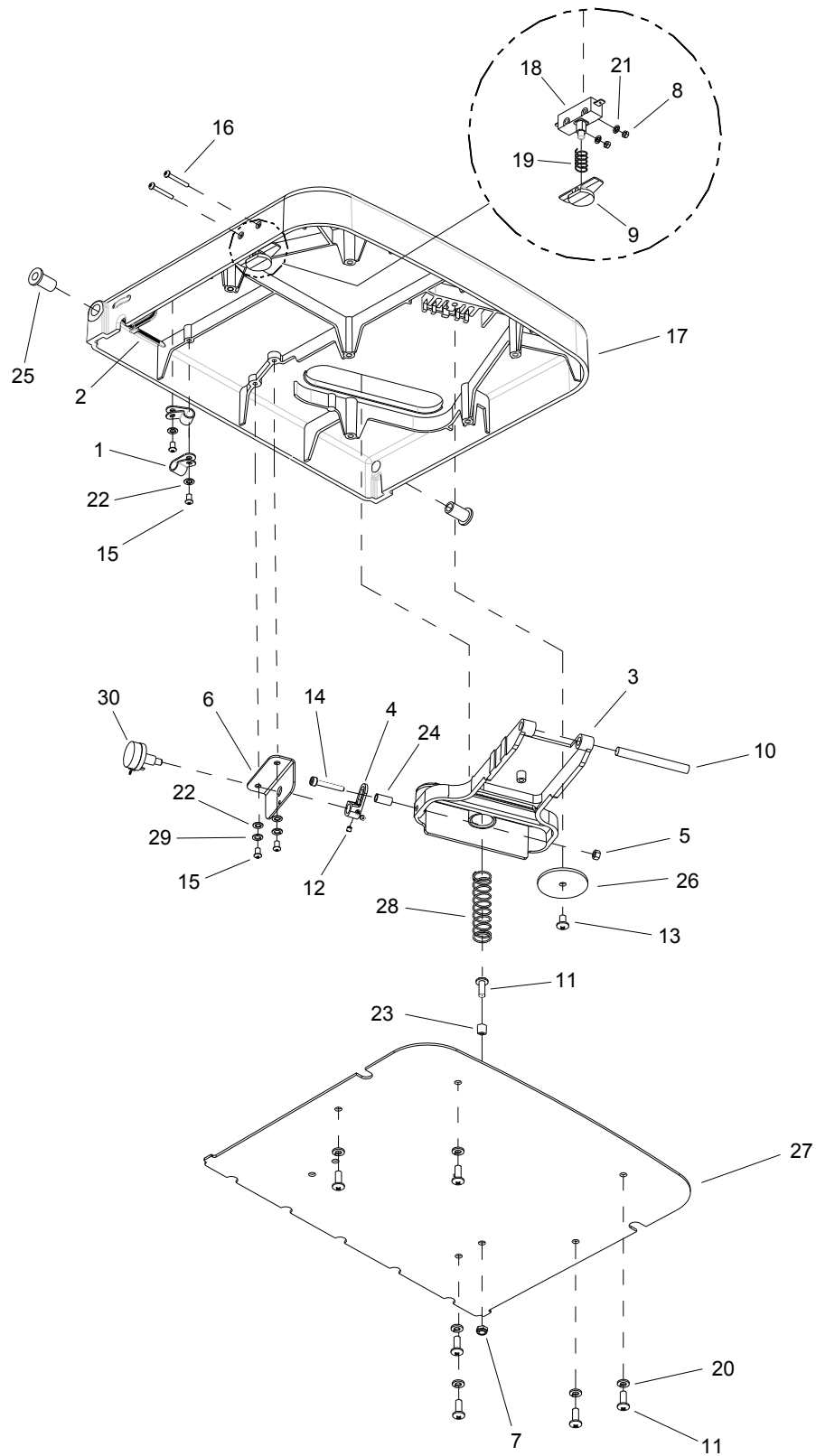
REF	PART NO.	PRV NO.	QTY	DESCRIPTION	SERIAL NO. FROM	NOTES:
1	86300060	-	1	FRAME, MAIN ASM		
2	86088760	75458	1	TRAY, SLIDE, RIGHT		
3	86270830	57023	21	NUT, 5/16-18 HEX NYLOCK SS		
4	86071430	140863	1	BRKT, BRACE, RGT FRONT		
5	86071120	140811	1	BRKT, TIP BRACE, RIGHT, REAR		
6	86010670	87029	5	WASHER, 5/16 FLAT SS		
7	86064300	140790	2	PAD, TIPPING BAR		
8	86070740	140730	1	BRKT, LINKAGE, RIGHT		
9	86276070	70593	16	SCR, 5/16-18 X 3/4 CARRIAGE SS		
10	86091420	05251	1	AXLE, REAR WELDMENT		
11	86088750	75457	1	TRAY, SLIDE, LEFT		
12	86277470	70848	6	SCR, 5/16-18 X 1.5 CARRIAGE SS		
13	86071130	140812	1	BRKT, TIP BRACE, LEFT, REAR		
14	86070750	140731	1	BRKT, LINKAGE, LEFT		
15	86070760	140733	1	BRKT, BRACE, LEFT FRONT		
16	86279130	87083	4	WASHER, 5/16 SPLIT LICK PLTD		
17	86197040	57264	4	NUT, 5/16-18 HEX ACORN PLTD		
18	86079290	620097	2	PLATE, REAR COVER ADJ.		
19	86010630	87013	4	WASHER, 1/4 ID X 5/8 OD SS		
20	86271870	57290	4	NUT, 1/4-20 HEX NYLOCK THIN SS		
21	86276950	70772	4	SCR, 1/4-20 X 3/4 CARRIAGE SS		
22	86079320	620101	2	PLATE, PAD RETAINER		
23	86277130	70795	2	SCR, 5/16-18 X 1.00 CARRIAGE SS		
24	86276910	70754	1	SCR, 5/16-18 X 3 HHCS SS NP		
25	86001350	140390	2	BUSHING, SPANNER .435 X 1.10		
26	86011020	89202	2	WHEEL, 3" DIA CUSHION RUBBER		
27	86300100	-	1	BRKT, WHEEL MOUNT		



REF	PART NO.	PRV NO.	QTY	DESCRIPTION	SERIAL NO. FROM	NOTES:
1	86071360	140855	1	BRKT, HORIZ ELECT, BURNISHER		
2	86270830	57023	10	NUT, 5/16-18 HEX NYLOCK SS		
3	86010670	87029	9	WASHER, 5/16 FLAT SS		
4	86276070	70593	9	SCR, 5/16-18 X 3/4 CARRIAGE SS		
5	86083080	66437	1	PLATE, VERT BEARING SUPPORT		
6	86074160	270101	1	CHANNEL, RIGHT DELUXE		
7	86073500	270090	1	BRKT, SIDE CHANNEL L		
8	86277460	70847	2	SCR, 5/16-18 X 5/8 BSHCS SS		
9	86238450	36245	1	GROMMET, 3.0 ID X 3.25 GROOVE		



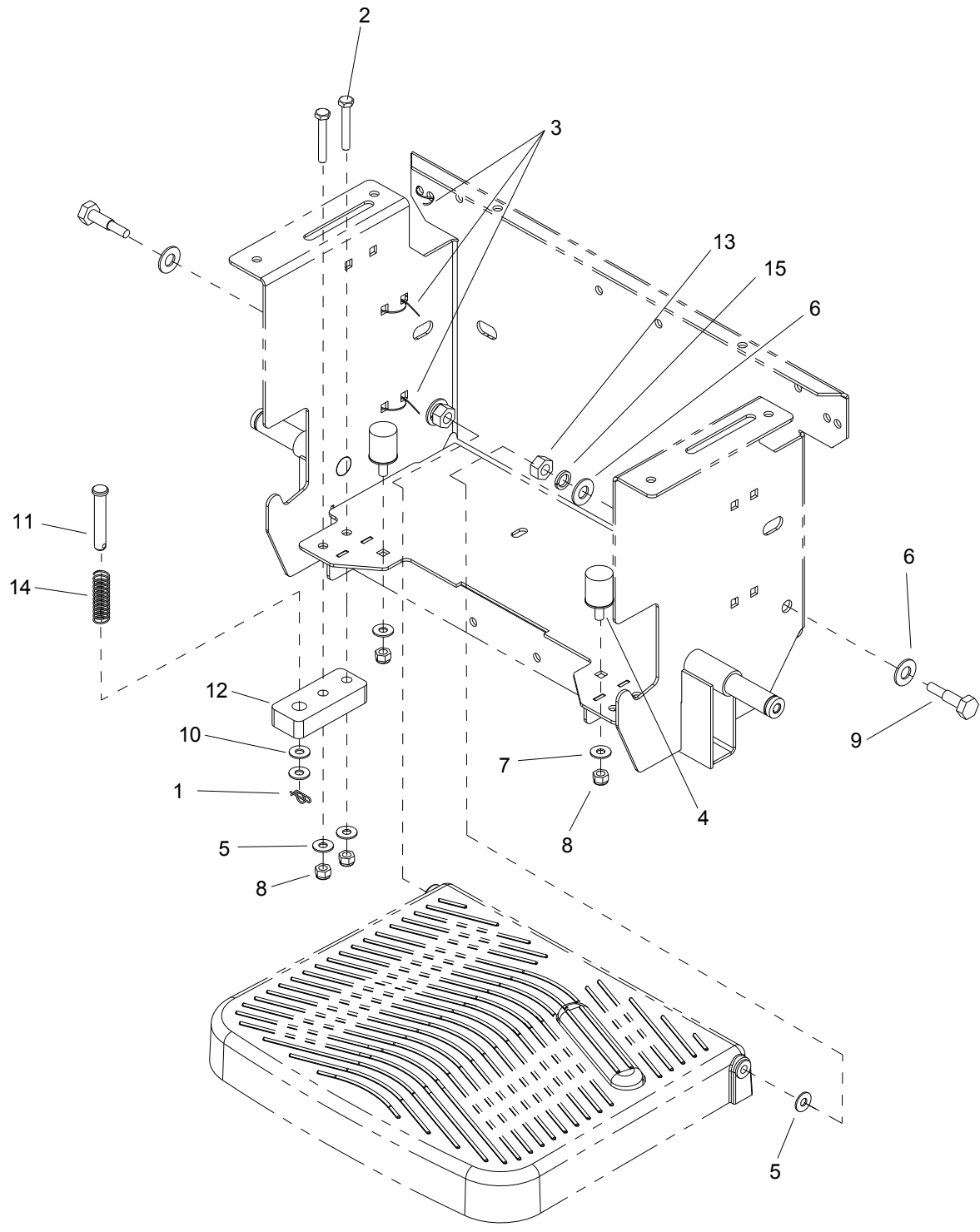
REF	PART NO.	PRV NO.	QTY	DESCRIPTION	SERIAL NO. FROM	NOTES:
1	86274460	70205	6	SCR, 1/4-20 X 3/8 HHCS PLT		
2	86279630	87212	6	WASHER, .344ID X 1.13OD X .09T PLT		
3	86032920	75482	1	TANK, VACUUM BODY COVER		
4	86006840	70390	3	SCR, 1/4-20 X 1 FHCS PLTD		
5	86005810	57245	5	NUT, 1/4-20 HEX NYLOCK SS		
6	86010630	87013	5	WASHER, 1/4 ID X 5/8 OD SS		
7	86076710	41533	1	HINGE, TANK		
8	86273780	70015	2	SCR, 1/4-20 X 3/4 HHCS SS NP		
9	86226370	14493	2	BUSH, BRZ FLG .25 X .38 X .38		
10	86273830	70020	3	SCR, 1/4-20 X 1/2 HHCS SS		
11	86076720	41534	1	HINGE, LID		
12	86031140	51408	1	LID, BURNISHER		
13	86275570	70505	2	SCR, 1/4-20 X 1 HHCS GR5 PLTD		
14	86254280	730331	2	SPACER, 1.00 OD X .321ID X .375		
15	86250250	66286	2	PLUSNUT, 1/4-20 FLATHEAD		
16	86279630	87212	6	WASHER, .344 ID X 1.13 OD X .09 T PLT		



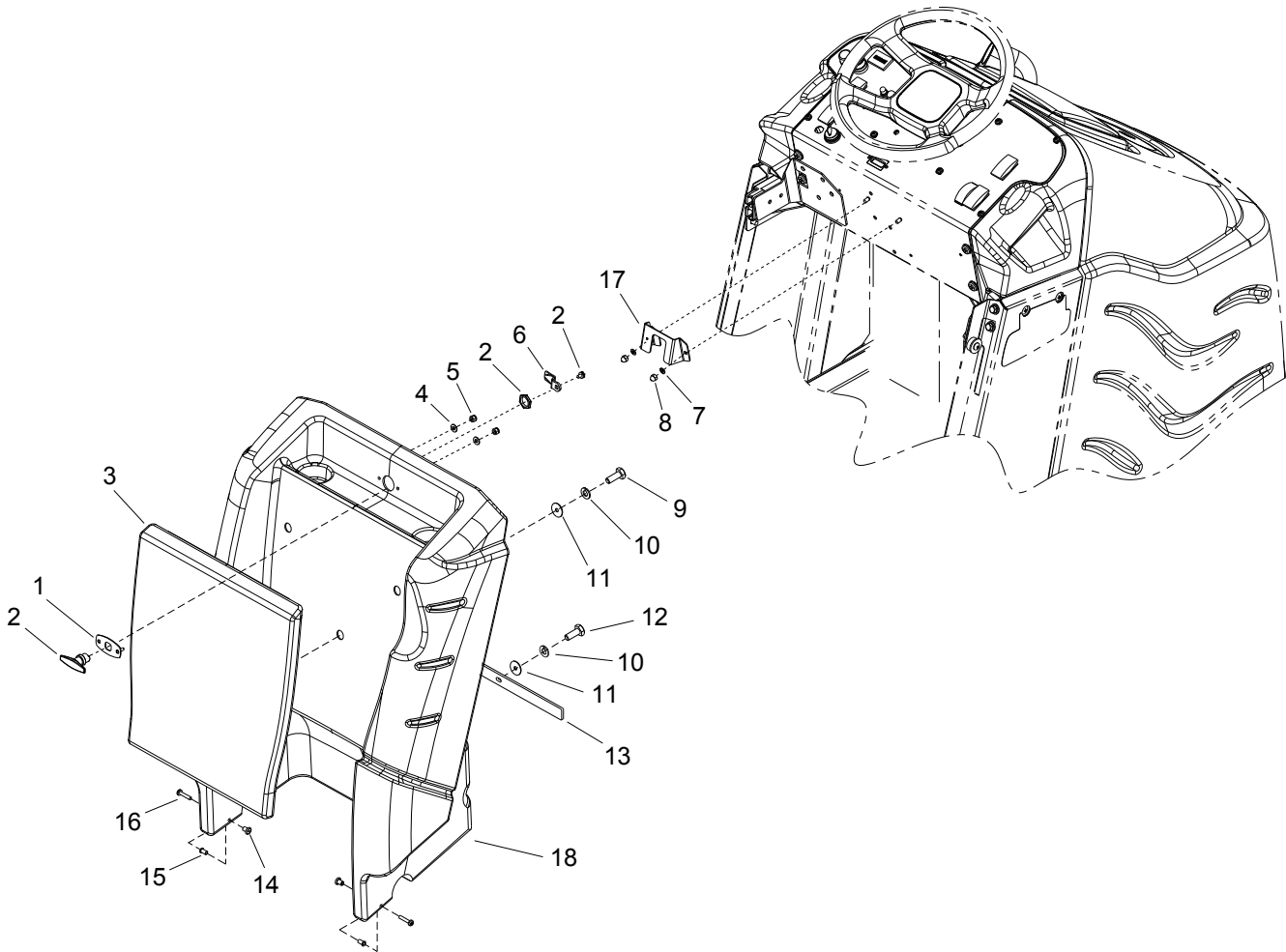
REF	PART NO.	PRV NO.	QTY	DESCRIPTION	SERIAL NO. FROM	NOTES
1	86233170	20054	2	CLAMP, 3/8 NYLON UL/CSA		
2	86264920	27049	1	CABLE TIE, .19 X 7 UL/CSA		
3	86222510	34430	1	PEDAL, THROTTLE		
4	86221850	34433	1	LINK, THROTTLE		
5	86136310	57086	1	NUT, M5 HEX		
6	86312820	-	1	BRACKET, POT, SPEED		
7	86288720	57277	1	NUT, M6 NYLOCK PLATED		
8	86272040	57503	2	NUT, M3.5 X 2.8 HEX		
9	86223260	66085	1	PLUNGER, PLATFORM SWITCH		
10	86223580	67502	1	ROD, PIVOT, 8.5MM X 77		
11	86274340	70179	7	SCR, M6 X 16 PH		
12	86278060	70759	2	SET SCR, M4 X 4MM NP		
13	86277360	70833	1	SCR, M6 X 10 PH		
14	86277370	70834	1	SCR, M5 X 30 SHCS		
15	86277380	70835	4	SCR, M4.8 X 16 PHTF		
16	86277390	70836	2	SCR, M3.5 X 38 PH		
17	86312770	-	1	PLATFORM		
18	86007110	72123	1	SWITCH, 25A SPST 125-250V SNAP		
19	86224750	73993	1	SPRING, COMP, .48OD X .91L		
20	86279140	87085	6	WASHER, M6 SPLIT LOCK DIN127B		
21	86279720	87248	2	WASHER, M4 INT STAR		
22	86279730	87249	4	WASHER, M5 INT STAR		
23	86224360	730325	1	SPACER 12.7MMOD X 2.78W X 6L		
24	86224350	730305	1	SPACER, 8MM X 16LG		
25	86333280	-	2	BUSHING, 8MM X 10 LG SS		
26	86222780	620047	1	PLATE, PIVOT		
27	86222810	620050	1	PLATE, COVER		
28	86254970	730304	1	SPRING, COMP 18MM OD X 83 X 2		
29	86137300	87084	2	WASHER, M5 SPLIT LOCK PLTD		
30	86250280	66135	1	POTENTIOMETER 5K OHMS		

NOTE: Complete platform assembly is available, Part No. 86028310.

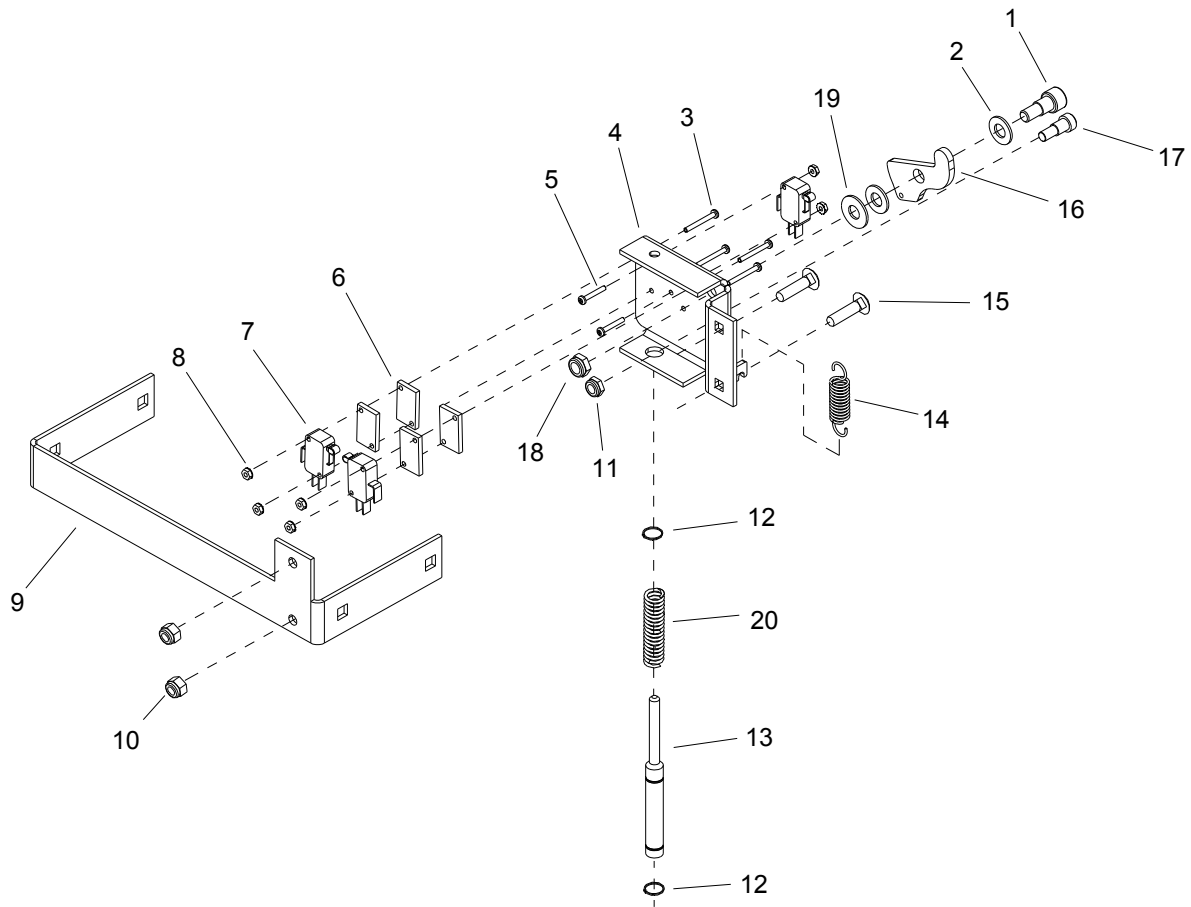
Pedal Platform-Mounting



REF	PART NO.	PRV NO.	QTY	DESCRIPTION	SERIAL NO. FROM	NOTES:
1	86008680	80607	1	COTTER, 1/2" RING		
2	86274690	70258	2	SCR, 5/16-18 X 1.5 HHCS GR5PLT		
3	86264920	27049	3	CABLE TIE, 7" UL/CSA		
4	86231070	730328	2	BUMPER, 1 X 1.375 RUBBER		
5	86010670	87029	5	WASHER, 5/16 FLAT SS		
6	86259430	87485	4	M12 FLAT WASHER		
7	86010770	87143	2	WASHER, 7/16ID X1D.08 FLT SS		
8	86270830	57023	4	NUT, 5/16-18 HEX NYLOCK SS		
9	86211280	70852	2	STUB AXLE, M12-1.75 X 45MM		
10	86278850	80613	2	WASHER, .506 ID X .94D X .064 NYL		
11	86248920	66487	1	PIN, CLEVIS 1/2 X 2.25		
12	86249560	629993	1	PLATE, SWITCH BASE		
13	86271190	57142	2	NUT, M12 X 1.75 HEX DIN934 PLT		
14	86007780	73576	1	SPRING, COMP .60D X2.0L X .045W		
15	86259440	87486	2	WASHER, M12 SPRING LOCK		

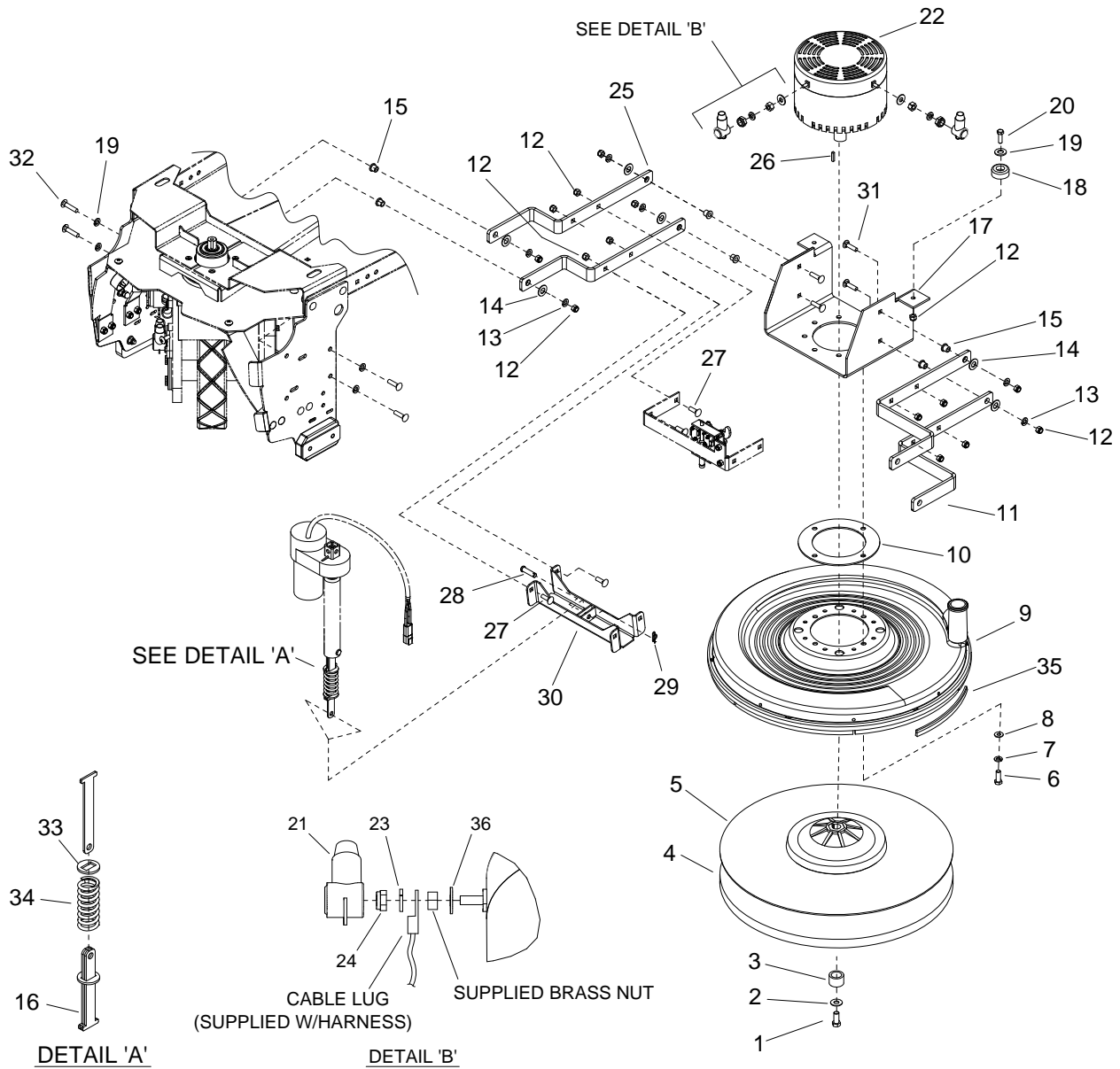


REF	PART NO.	PRV NO.	QTY	DESCRIPTION	SERIAL NO. FROM	NOTES:
1	86324760	-	1	PLATE, COVER LATCH		
2	86324640	-	1	HANDLE, CAM LATCH		
3	86248280	66433	1	PAD FLAT LEANING		
4	86010630	87013	2	WASHER 1/4 ID X 5/8 OD SS		
5	86005810	57245	2	NUT 1/4-20 HEX NYLOCK SS		
6	86324650	-	1	PAWL, HANDLE		
7	86010780	87162	2	WASHER 1/4 SPLIT LOCK PLTD		
8	86271940	57299	2	NUT, 1/4-20 ACORN SS		
9	86276780	70728	3	SCR, 5/16-18 X 3/4 HHCS SS		
10	86279130	87083	5	WASHER 5/16 SPLIT LOCK PLTD		
11	86010670	87029	5	WASHER 5/16 FLAT SS		
12	86006560	70083	2	SCREW 5/16-18 X 1 HHCS SS NP		
13	86066940	140891	1	BAR, COVER		
14	86005860	57273	2	NUT 1/4-20 X 12MM HEX BARREL		
15	86228980	09152	2	BEARING FLANGED .377IDX.505OD		
16	86275870	70556	2	SCR, 1/4-20 X 1.5" PPHMS SS		
17	86324340	-	1	BRKT, REAR COVER LATCH		
18	86324320	-	1	COVER REAR DELUXE		

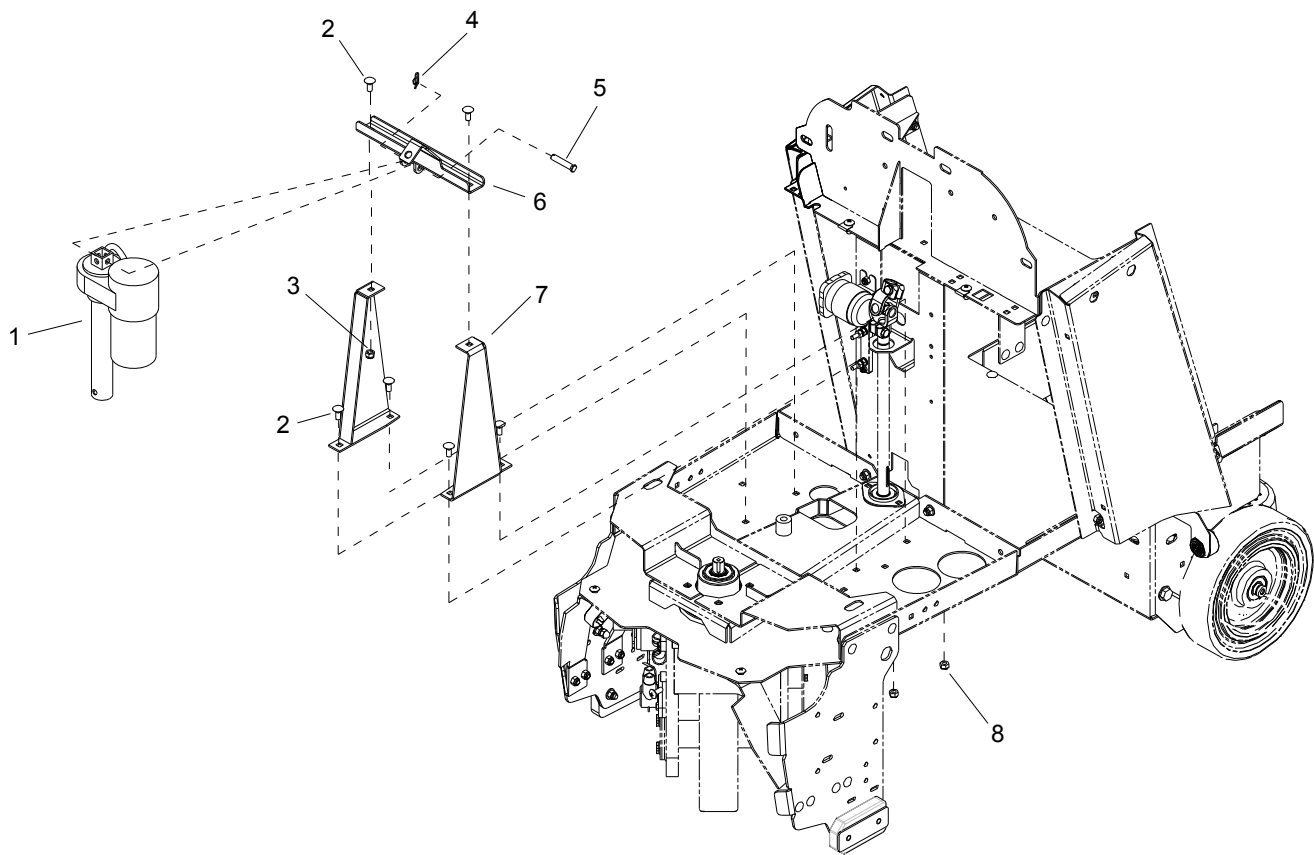


REF	PART NO.	PRV NO.	QTY	DESCRIPTION	SERIAL NO. FROM	NOTES:
1	86278130	70737	1	SHLDR BOLT, 3/8OD X 3/8L SS NP		
2	86010680	87030	2	WASHER 3/8 ID X 3/4 OD NYLON		
3	86276010	70580	4	SCR, 4-40 X 1.0 PPHMS		
4	86340180	-	1	BRKT, MICROSWITCH MOUNT		
5	86006720	70245	1	SCREW 4-40 X 3/4 PPHMS		
6	86087520	73456	4	SPACER, L2020B PLUNGER SWITCH		
7	86007160	72157	3	SWITCH 10A ROLLER MINI		
8	86271280	58163	6	NUT, 4-40 W/STAR WASHER		
9	86073440	14992	1	BRKT, SWITCH MOUNT		
10	86005810	57245	2	NUT 1/4-20 HEX NYLOCK SS		
11	86271870	57290	1	NUT, 1/4-20 HEX NYLCK THIN SS		
12	86270270	27721	2	CLIP, RETAINING 7/16		
13	86223270	66482	1	PLUNGER, MICRO SWITCH		
14	86255110	73450	1	SPRING, SAFETY SWITCH		
15	86276950	70772	2	SCREW 1/4-20 X 3/4 CARRIAGE SS		
16	86340190	-	4	PLATE, MICROSWITCH PIVOT		
17	86278260	70298	1	SHOULDER BOLT, 5/16 X 3/8 L NP		
18	86271840	57285	1	NUT 5/16-18 HEX NYLOCK THIN SS		
19	86278910	87003	1	WASHER,3/8IDX7/8ODSS		
20	86007780	73576	1	SPRING COMP .60D X2.0L X.045W		

Deck Lift Mechanism

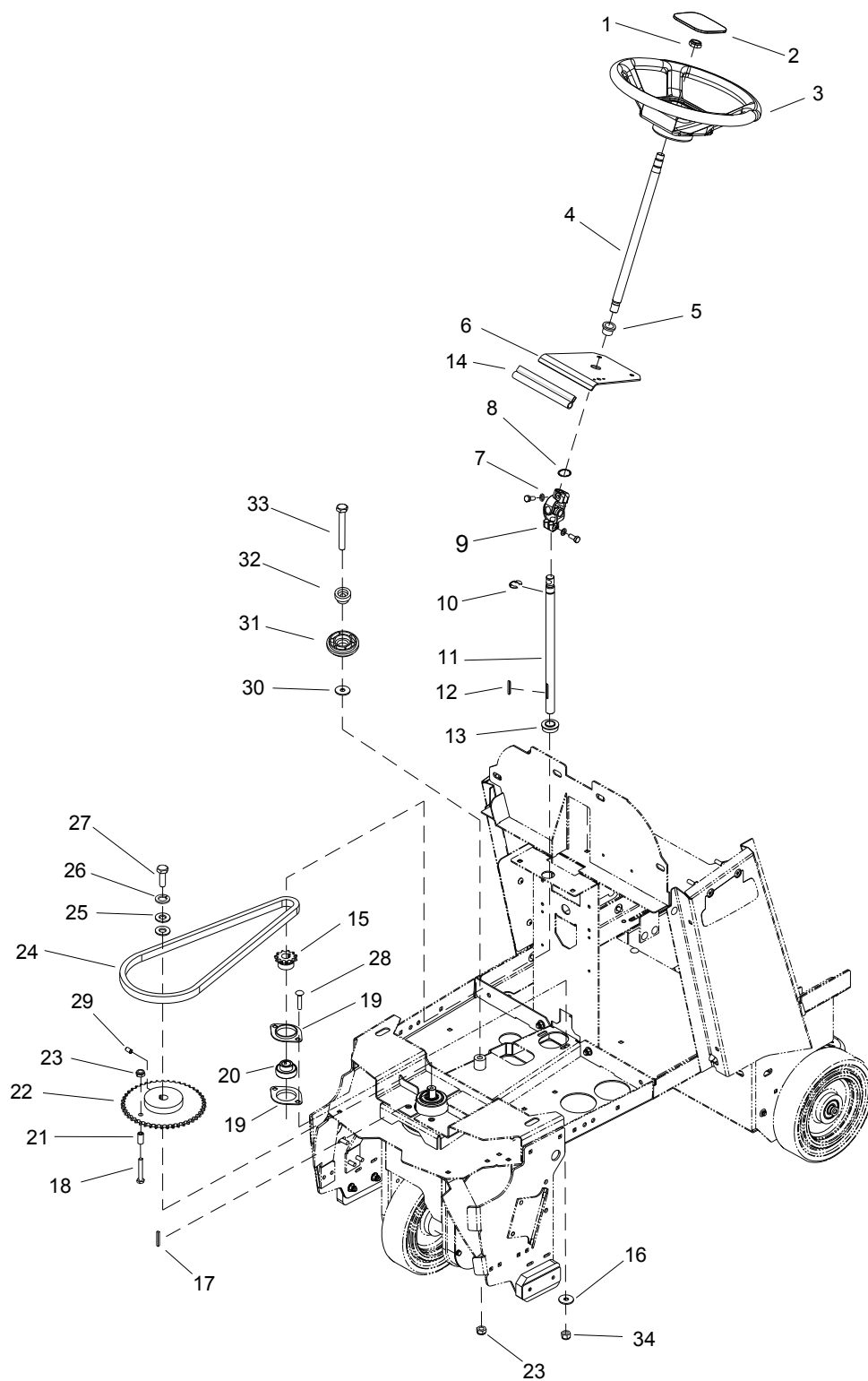


REF	PART NO.	PRV NO.	QTY	DESCRIPTION	SERIAL NO. FROM	NOTES:
1	86277540	70863	1	SCREW 7/16-20 X 1 HHCS PLTD		
2	86010710	87080	1	WASHER .5 X 1.25 FLAT GR8 PLT		
3	86254310	730355	1	SPACER, BURNISHER HUB		
4	86000100	02166	1	PAD 20" SPD BURN 3M		
5	86248280	64110	1	PAD DRIVER ASSEM 20", .88 BORE		
6	86276920	70755	4	SCREW 3/8-16X1		
7	86010790	87163	4	WASHER 3/8 SPLIT LOCK PLTD		
8	86278910	87003	4	WASHER,3/8IDX7/8ODSS		
9	86223660	730065	1	SHROUD, ASM. 20 IN BURNISHER		
10	86083510	66834	1	PLATE, MOTOR SPACER		
11	86300130	03025	2	BRKT, HEAD ATTACH LT		
12	86270830	57023	4	NUT 5/16-18 HEX NYLOCK SS		
13	86279650	87222	4	WASHER, SEAL 5/16X3/4OD SS		
14	86259400	87205	4	WASHER THRUST.51 ID X 1 ODBRO		
15	86228840	09124	2	BEARING FLANGED.314IDX.502OD		
16	86066980	149990	3	BAR, COMP.SPRING RETAINER		
17	86071480	140868	1	BRKT, MOTOR MOUNT		
18	86231090	80809	2	BUMPER, RUBBER 5/16" ID X 1.50		
19	86010670	89224	2	WASHER 5/16 FLAT SS		
20	86006560	70083	2	SCREW 5/16-18 X 1 HHCS SS NP		
21	86008920	80889	2	BOOT, RUBBER TERM. ISOLAT		
22	86342350	-	1	MOTOR, 36V 2600RPM		
-	86348010	-	-	BRUSH SET, 86342350 BURNISHER MOTOR		
23	86279130	87083	2	WASHER 5/16 SPLIT LOCK PLTD		
24	86271840	57285	2	NUT 5/16-18 HEX NYLOCK THIN SS		
25	86300120	-	2	BRKT, HEAD ATTACH RT		
26	86135970	48045	1	KEY, 3/16 SQ X 5/8 LONG		
27	86277130	70795	4	SCREW 5/16-18X1.00 CARRIAGE SS		
28	86272640	80806	1	PIN, CLEVIS 3/8 X 1.13 PLTD		
29	86008670	80606	1	COTTER 3/8" RING		
30	86071470	-	1	BRKT, HEAD ATTACH		
31	86277030	70780	4	SCR, 5/16-18X1.25 CARRIAGE SS		
32	86007020	70673	4	SCREW 5/16-18 X 1.25 HHCS SS NP		
33	86090360	87492	2	WASHER, SPRING RETAINER		
34	86255100	73443	1	SPRING, DIE COMP. 1.25ODX3.0LG		
35	86216230	730074	-	BRUSH, STRIP (PACKAGE OF 6)		
36	86010670	-	2	WASHER 5/16 FLAT SS		



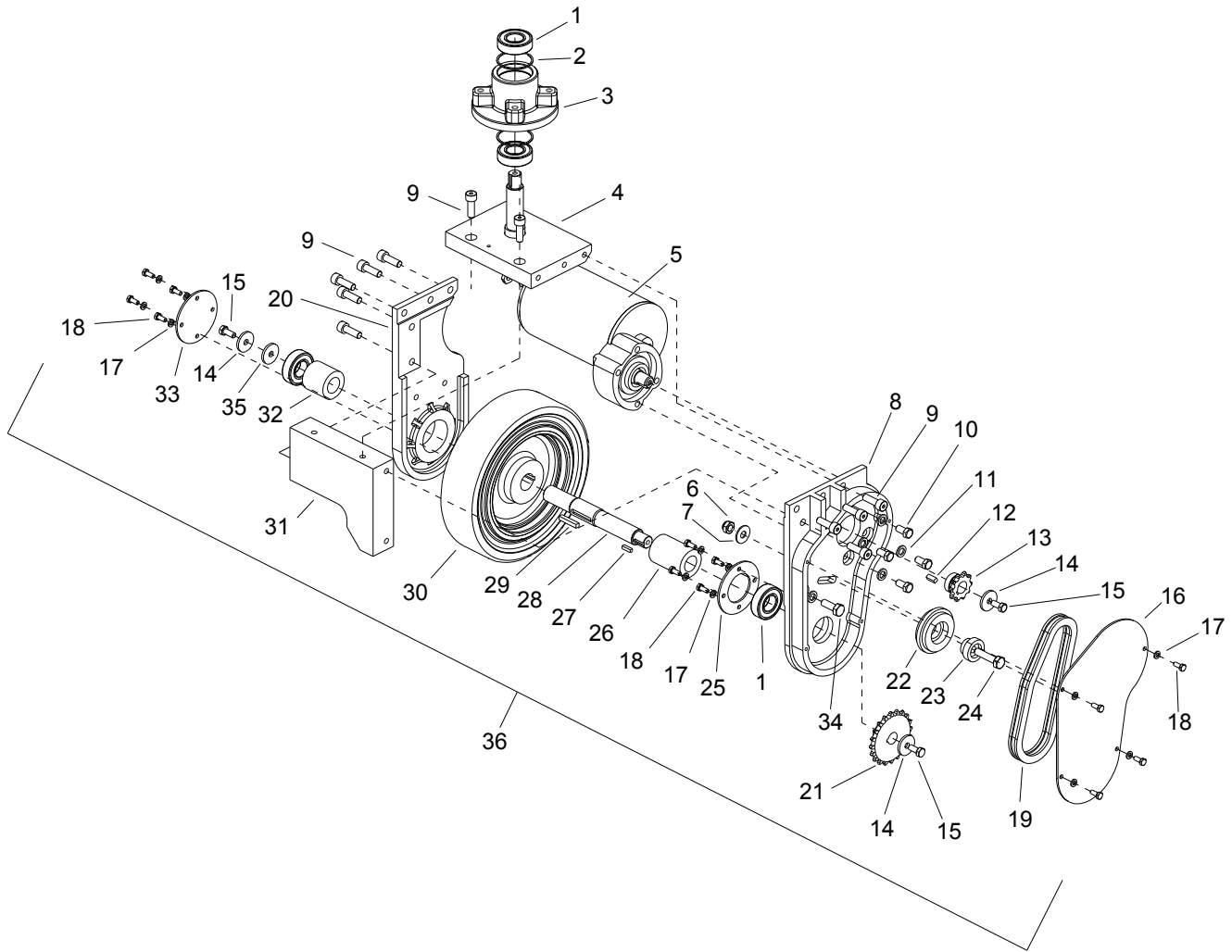
REF	PART NO.	PRV NO.	QTY	DESCRIPTION	SERIAL NO. FROM	NOTES:
1	86352960	-	1	ACTUATOR, 36V 4" STROKE	*(2)	
2	86276070	70593	6	SCR, 5/16-18 X 3/4 CARRIAGE SS		
3	86270830	57023	2	NUT 5/16-18 HEX NYLOCK SS		
4	86008670	80606	1	COTTER 3/8" RING		
5	86248980	81438	1	PIN, CLEVIS 3/8 X 1.75 PLTD		
6	86340150	-	1	BRKT ASM, ACTUATOR CHANNEL		
7	86340160	-	2	BRKT, ACTUATOR CHANNEL SUPPORT		
8	86270830	57023	4	NUT 5/16-18 HEX NYLOCK SS		

*SEE SERIAL NUMBER PAGE

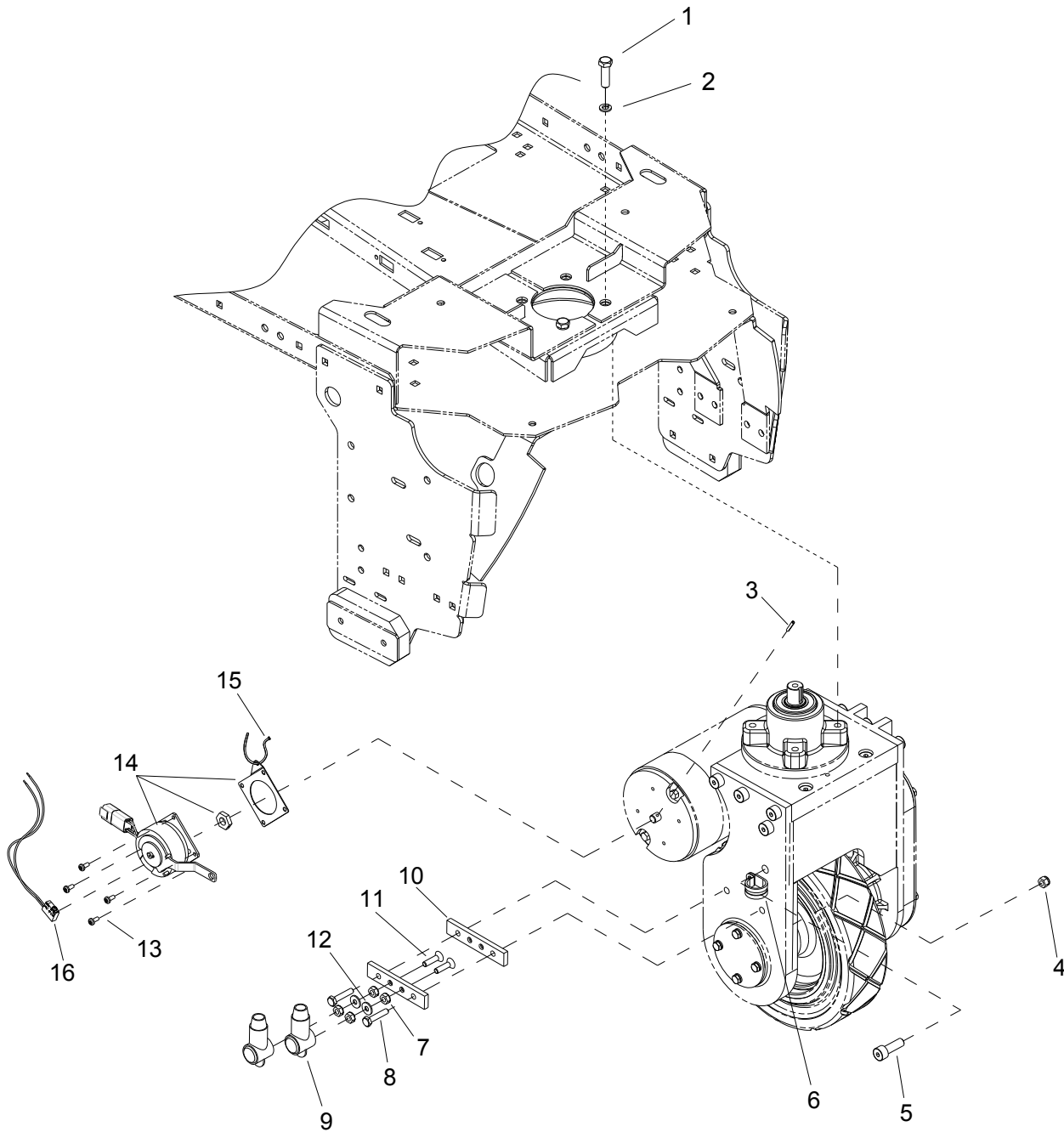


REF	PART NO.	PRV NO.	QTY	DESCRIPTION	SERIAL NO. FROM	NOTES:
1	86271610	57228	1	NUT, 5/8-16 HEX NYLOCK THN		
2	86234810	27945	1	COVER, STEERING WHEEL		
3	86259610	730117	1	WHEEL, STEERING 40 SPLINE HUB		
4	86224050	730318	1	SHAFT, UPPER STEERING		
5	86228790	09111	1	BEARING, FLANGE .88ODX.75IDX.75		
6	86314830	-	1	BRKT, UPPER STEERING SUPPORT		
7	86279130	87083	2	WASHER, 5/16 SPLIT LOCK		
8	86005610	57016	1	NUT, 7/8 DIA PUSHLOCK		
9	86219600	45012	1	JOINT, UNIVERSAL FEMALE		
10	86272900	67416	1	RING, 3/4" KLIP		
11	86224060	730319	1	SHAFT, LOWER STEERING		
12	86219650	48110	1	KEY, 5MM SQ X 39MM L		
13	86228670	09072	1	BEARING, 3/4" BORE FLANGED		
14	86321430	-	1	TRIM, SEAL, 5/8" BULB X 6.8"		
15	86224800	730315	1	SPROCKET, STEERING SHAFT		
16	86010670	87029	2	WASHER, 5/16 FLAT SS		
17	86135970	48045	1	KEY, 3/16 SQ X 5/8 LONG		
18	86275190	70377	1	SCR, 3/8-16 X 1.25 HHCS SS		
19	86008610	80595	2	FLANGE, BEARING PRESS STEEL		
20	86001030	09148	1	BEARING, BALL 3/4 BORE SPHERED		
21	86224320	730221	1	SPACER, .63 OD X .385ID X .64L		
22	86224810	730316	1	SPROCKET, DRIVE WHEEL STEERING		
23	86005630	57022	2	NUT, 3/8-16 HEX NYLOCK THIN SS		
24	86300190	-	1	CHAIN, 12.7MM PITCH		
-	86232780	279001	-	CHAIN, MASTERLINK 12.7MM		NOT SHOWN
-	86232770	279000	-	CHAIN, OFF-SET LINK 12.7MM		NOT SHOWN
25	86278940	87008	2	WASHER, 1/4 ID X 1-1/4OD		
26	86010780	87162	1	WASHER, 1/4 SPLIT LOCK PLTD		
27	86274330	70175	1	SCR, M6 X 20HHMS PLTD		
28	86276070	70593	2	SCR, 5/16-18 X 3/4 CARRIAGE SS		
29	86253200	70806	1	SET SCR, M6 X 25 NP		
30	86279620	87200	1	WASHER, .4 ID X 1.3 OD NYLON		
31	86002710	270076	1	CHANIN TENSIONER		
32	86224270	730293	1	SLEEVE, CHAIN TENSIONER		
33	86275990	70577	1	SCR, 3/8-16 X 3.5 SHCS PLTD		
34	86270860	57023	2	NUT, 5/16-18 HEX NYLOCK SS		

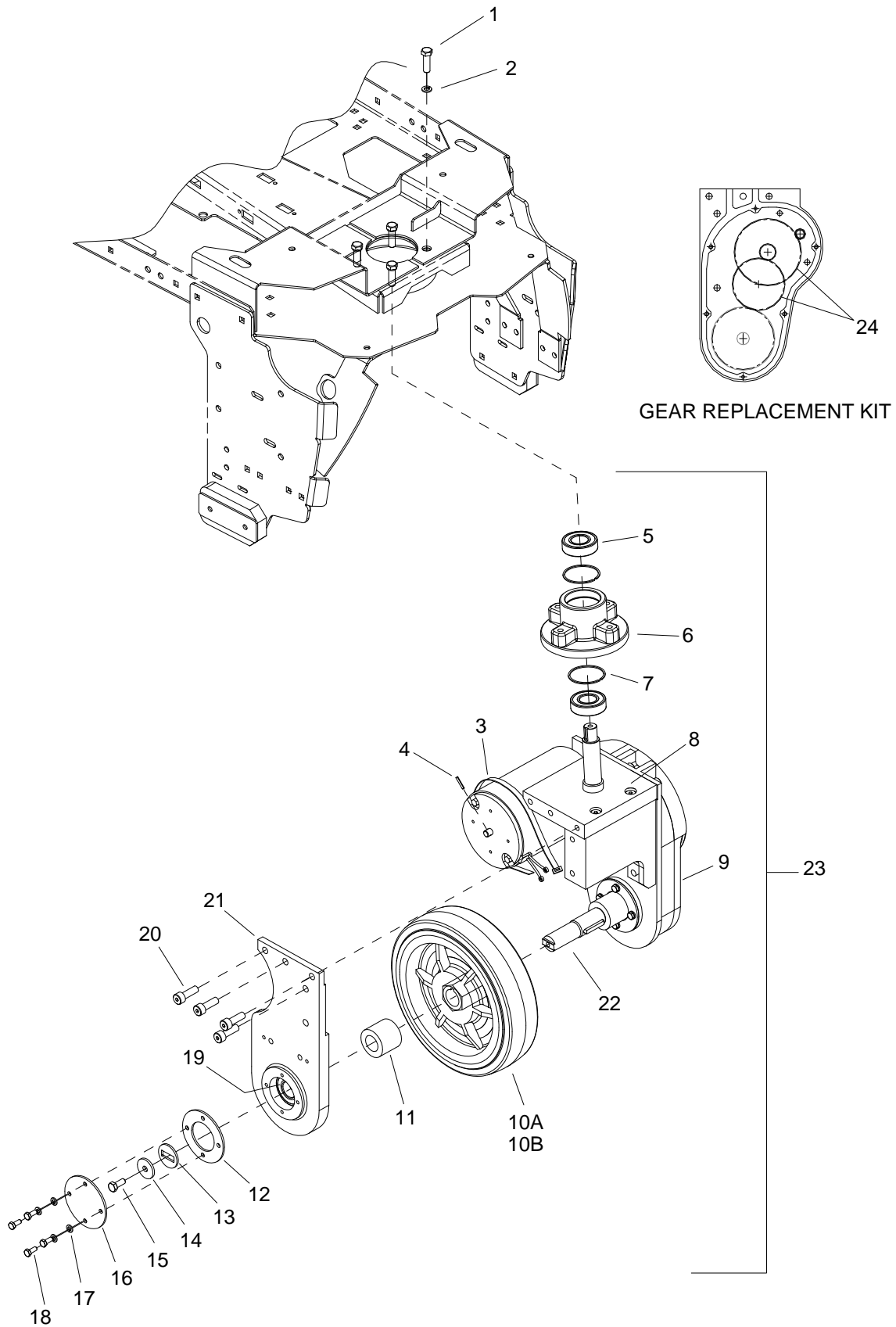
Wheel-Front Drive-Chain



REF	PART NO.	PRV NO.	QTY	DESCRIPTION	SERIAL NO.FROM	NOTES:
1	86223980	09134	4	SEALED BALL BRNG, 25MM X 52MM		
2	86223480	67450	2	RING, 52MM INTERNAL SNAP		
3	86219420	41510	1	STEERING, HUB		
4	86224040	730306	1	SHAFT, ASM, DRIVE PIVOT		
5	86005510	53810	1	MOTOR, 36V 180RPM GEAR		
-	86216210	53820	-	BRUSH SET MOTOR 53810		
-	86227440	05261	1	ARMATURE 53810 MOTOR		
6	86136360	57275	1	NUT, M10X1.5 HEX NYLOCK PLTD		
7	86010720	87086	1	WASHER, M10 X 30 PLTD		
8	86222730	620038	1	PLATE, DRIVE WHEEL YOKE		
9	86318830	70262	11	SCR, M10 X 30 SHCS		
10	86275640	70515	4	SCR, 3/8-24 X 3/4 HHCS GR5 PLTD		
11	86279700	87244	5	WASHER, M10 X 18 FLAT		
12	86219620	48106	1	KEY, 1/4 SQ. X .63		
13	86007620	730310	1	SPROCKET, MOTOR SHAFT		
14	86279710	87245	3	WASHER, M8 X 32 FLAT		
15	86136710	70698	2	SCR,5/16-18 X 3/4 HHCS GR5 BLK		
16	86222710	620036	1	PLATE, CHAIN COVER		
17	86279690	87243	12	WASHER, M6 SPLIT LOCK		
18	86277340	70830	12	SCR, M6 X 15 HHCS		
19	86002730	270085	1	CHAIN, ISO 08B 12.7MM PITCH/LINK		
-	86232770	279000	-	CHAIN, OFF-SET LINK 12.7MM		SERVICE ONLY
-	86232780	279001	-	CHAIN, MASTERLINK 12.7MM		SERVICE ONLY
20	86222760	620041	1	PLATE, DRIVE YOKE RH		
21	86007630	730311	1	SPROCKET, DRIVE WHEEL		
22	86330720	-	1	CHAIN TENSIONER		
23	86224270	730293	1	SLEEVE, CHAIN TENSIONER		
24	86277330	70829	1	SCR, M10 X 45 HHCS		
25	86222720	620037	1	PLATE, BEARING RETAINER		
26	86224330	730294	1	SPACER, 25.5ID X 45OD X 65L		
27	86219630	48107	1	KEY, 3/16 SQ X .67		
28	86000850	05231	1	AXLE, DRIVE		
29	86219640	48108	1	KEY, 1/4 SQ X 1.5		
30	86259940	89275	1	WHEEL, 10X2, W/KEYWY, GRY, NT		
31	86222750	620040	1	PLATE, DRIVE YOKE FRONT		
32	86224340	730295	1	SPACER, 25.5ID X 45OD X 43L		
33	86222770	620042	1	PLATE, BEARING COVER		
34	86277320	70828	1	SCR, M10 X 30 HHCS		
35	86311040	-	1	SPACER, CAHIN DRIVE AXLE		
36	86217720	29269	-	DRIVE ASM, MOTOR		WHEEL NOT INCLUDED

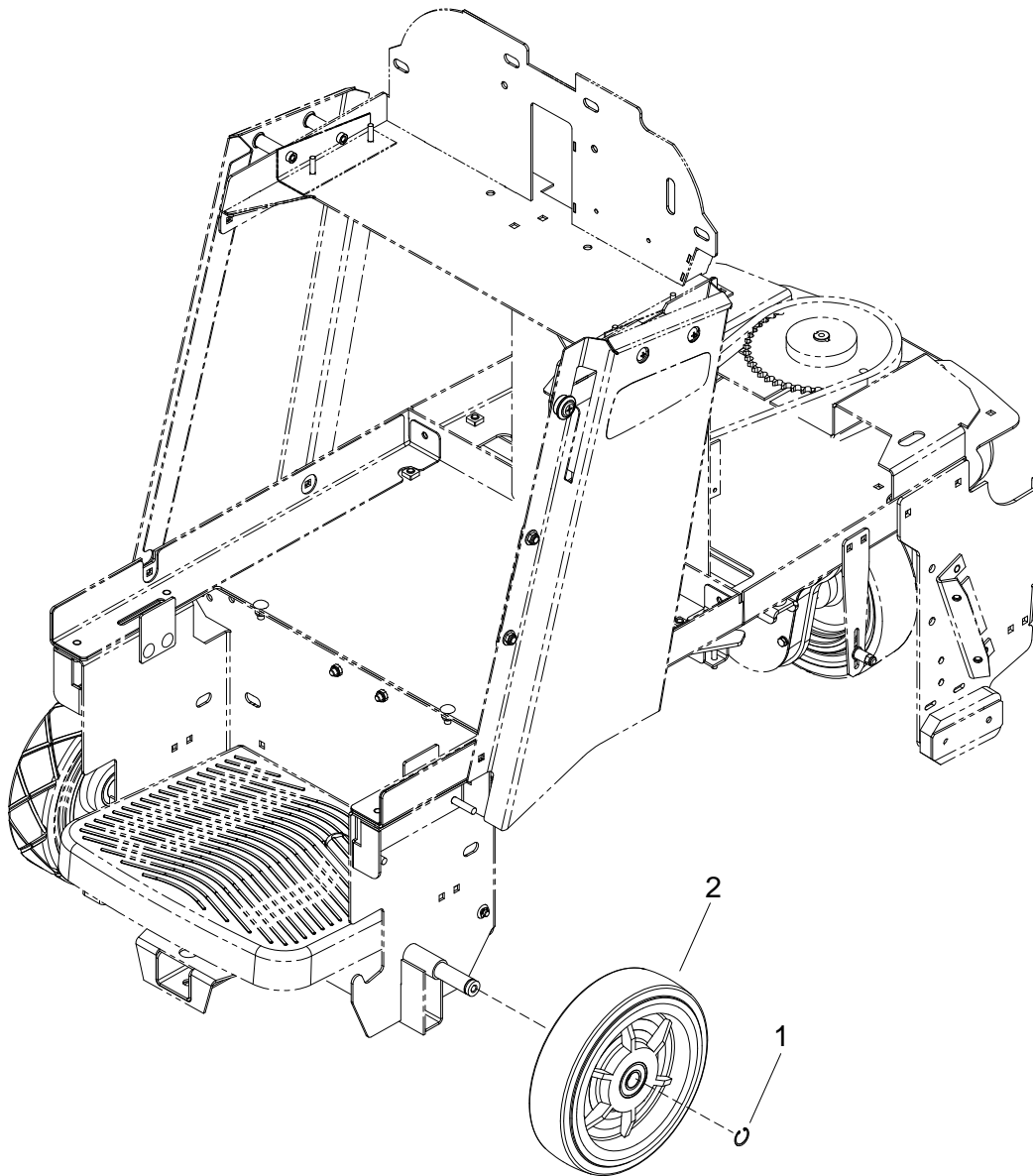


REF	PART NO.	PRV NO.	QTY	DESCRIPTION	SERIAL NO. FROM	NOTES:
1	86010790	87163	4	WASHER, 3/8 SPLIT LOCK PLTD		
2	86275190	70377	4	SCR, 3/8-16 X 1.25 HHCS SS		
3	86006170	66031	1	PIN, ROLL 1/8" X 3/4"L SS		
4	86005810	57245	2	NUT, 1/4-20 HEX NYLOCK SS		
5	86318830	-	1	SCR, M10 X 30 SHCS		
6	86233410	81270	1	CLAMP, 3/4 DIA CUSHION .406DIA		
7	86005710	57105	4	NUT, 1/4-20 HEX W/STAR WASHER		
8	86273740	70010	2	SCR, 1/4-20 X 1.50 HHCS		
9	86008920	80889	2	BOOT, RUBBER TERM. ISOLATOR		
10	86257490	76155	2	TERMINAL MOUNT		
11	86006840	70390	2	SCR, 1/4-20 X 1 FHCS PLTD		
12	86010630	87013	2	WASHER, 1/4 ID X 5/8 OD SS		
13	86273340	00-000289	4	SCR, 8-32 X 3/8 SHCS SS		
14	86001740	140816	1	BRAKE, 36VDC W/CONNECTOR		
15	86264930	27050	1	CABLE TIE, 3.5" UL/CSA		
16	86320870	-	1	SWITCH, 36V BRAKE		

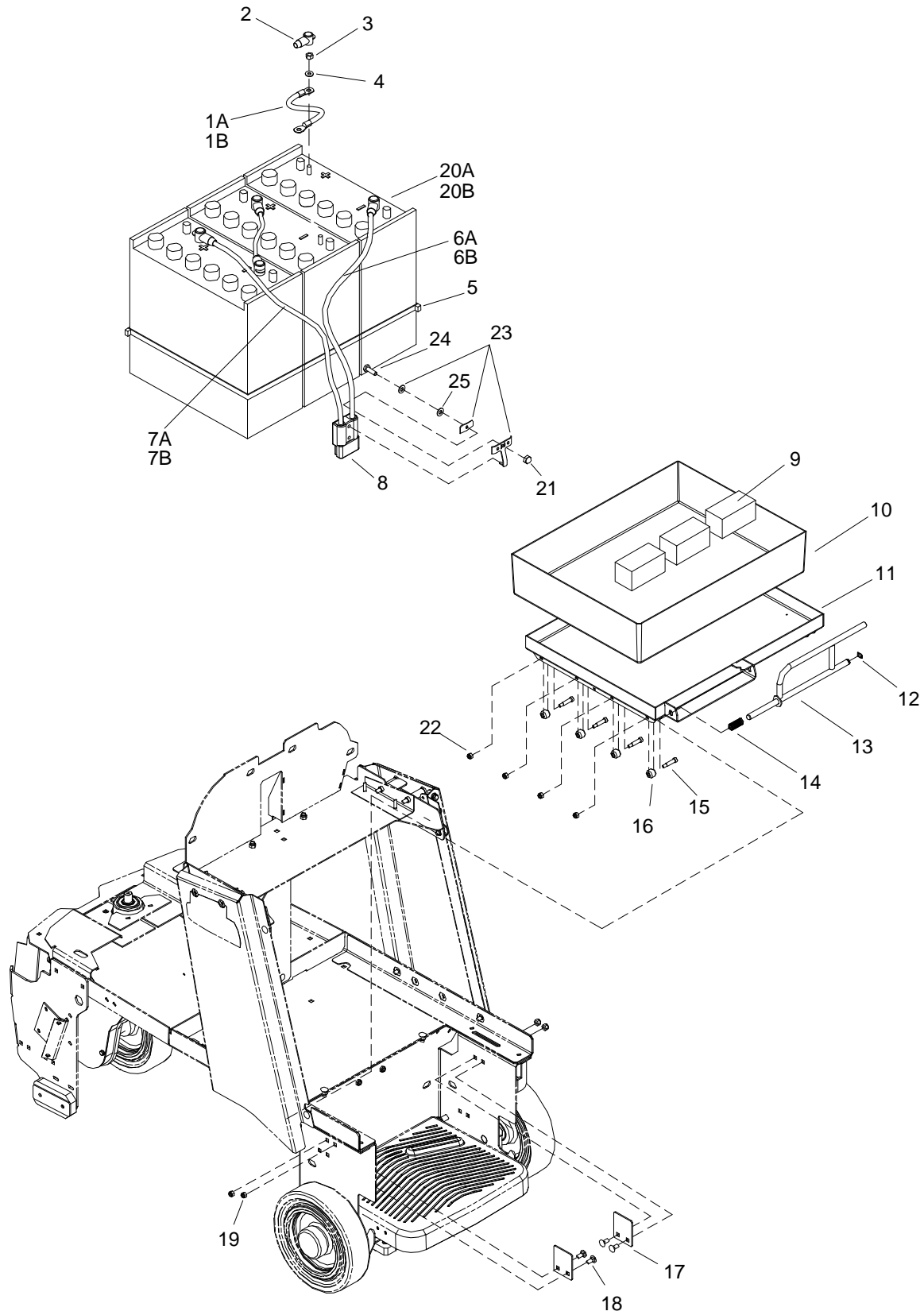


Wheel-Front Drive-Gear

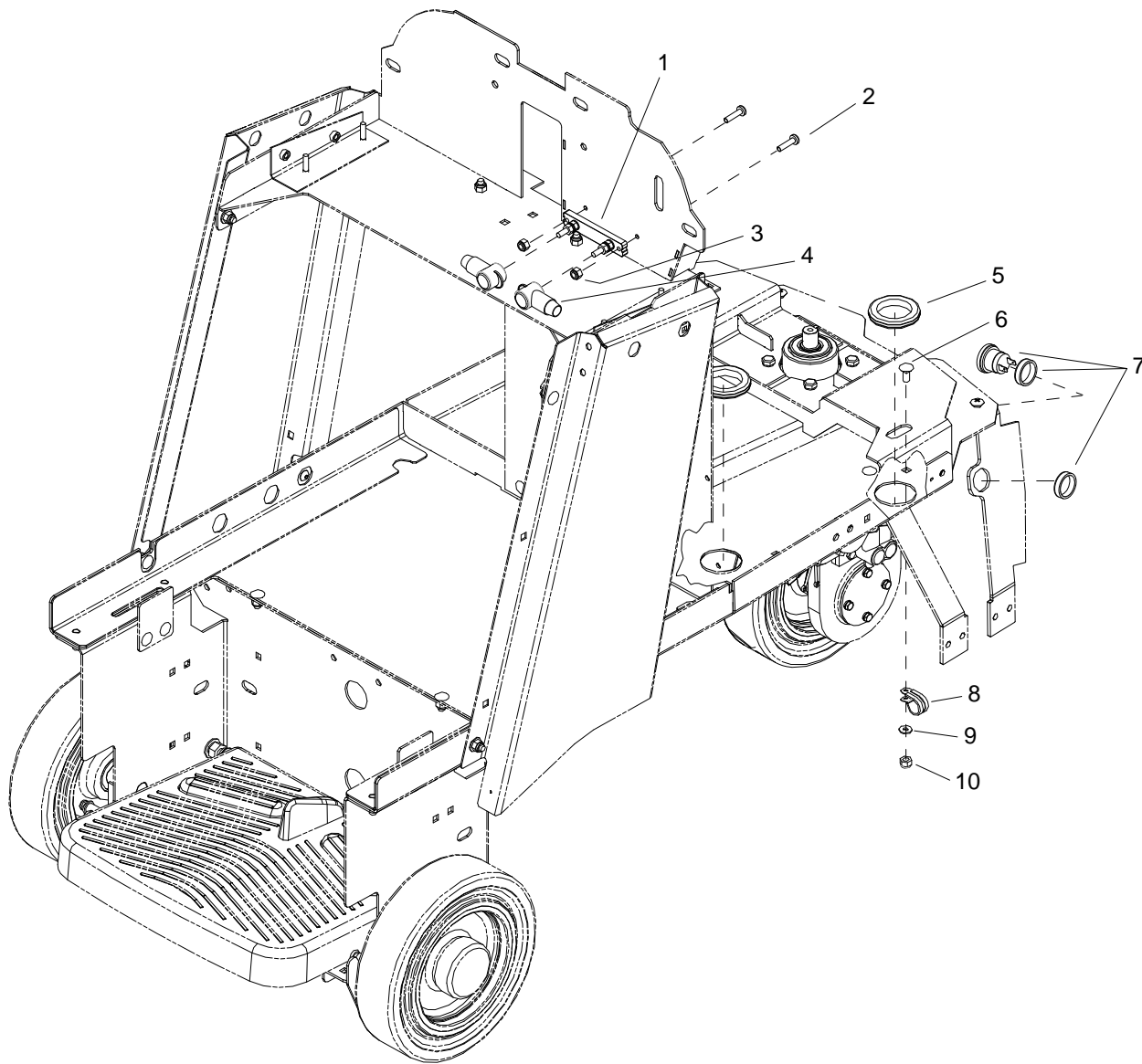
REF	PART NO.	PRV NO.	QTY	DESCRIPTION	SERIAL NO. FROM	NOTES:
1	86275190	70377	4	SCR, 3/8-16 X 1.25 HHCS SS		
2	86010790	87163	4	WASHER, 3/8 SPLIT LOCK PLTD		
3	86002830	27196	1	CABLE TIE, .375 X 24.7		
4	86006170	66031	1	PIN, ROLL 1/8" X 3/4"L		
5	86223980	09134	3	SEALED BALL BRNG, 25MM X 52MM		
6	86219420	41510	1	HUB STEERING		
7	86223480	67450	2	RING, 52MM INTERNAL SNAP		
8	86224020	730233	1	SHAFT ASM, DRIVE PIVOT		
9	86317190	-	1	DRIVE MOTOR ASSEMBLY HELICAL		
10A	86351970	-	1	WHEEL 10X2.5 PLSTC HUB W/ KEYWY,GRY,NT	(3*)	
10B	86259920	89273	1	WHEEL, 10 X 2.5 W/KEYWAY, GRY		OPTION
11	86224440	730387	1	SPACER, 25.51 ID X 45 OD X 39.1 L		
12	86222720	620037	1	PLATE, BEARING RETAINER		
13	86225810	87506	1	WASHER, ANTI-ROTATION		
14	86279710	87245	1	WASHER, M8 (2THK X 26 OD)		
15	86136640	70262	1	SCR, M8-1.25 X 20 HHMS PLTD		
16	86222770	620042	1	PLATE, BEARING COVER		
17	86279690	87243	4	WASHER, M6 SPLIT LOCK BLK		
18	86277340	70830	4	SCR, M6 X 15 HHCS BLK		
19	86223980	09134	3	SEALED BALL BRNG, .25MM X 52MM		
20	86318830	-	10	SCR, M10 X 30 SHCS		
21	86222760	620041	1	PLATE, DRIVE YOKE RH		
22	86214990	03126	1	AXLE, DRIVE		
23	86317200	-	1	GEAR BOX DRIVE UNIT HELICAL		WHEEL NOT INCLUDED
24	86374290	-	1	KIT, DRIVE GEAR		
-	86216210	53820	-	BRUSH SET MOTOR, 53810 86005510		



REF	PART NO.	PRV NO.	QTY	DESCRIPTION	SERIAL NO. FROM	NOTES:
1	86008710	80623	2	RING, 3/4" EXT SNAP H-D		
2	86322590	-	2	WHEEL, 10X2.5 W/BRNGS, GRY, NT		

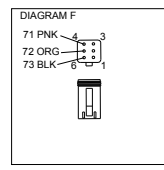
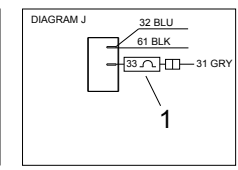
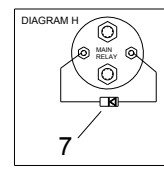
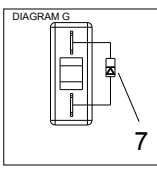
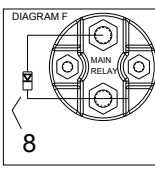
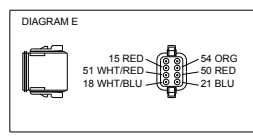
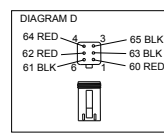
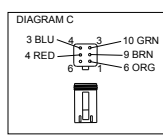
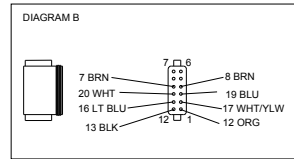
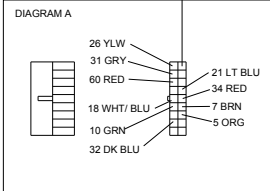
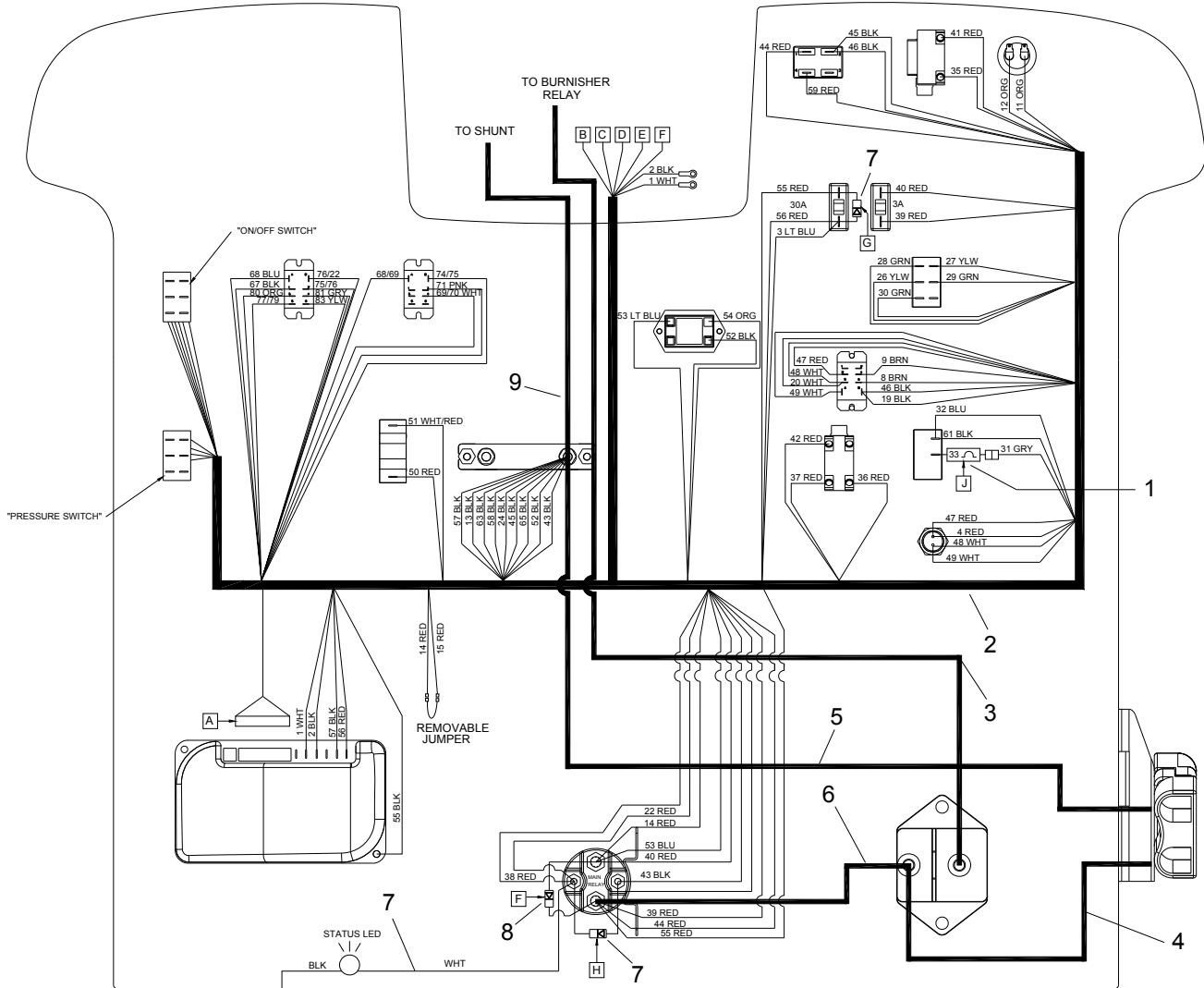


REF	PART NO.	PRV NO.	QTY	DESCRIPTION	SERIAL NO. FROM	NOTES:
1A	86260200	80872	2	WIRE, 4X14.5BK 5/16RINGX5/16RING		
1B	86002510	23125	2	WIRE, 4X15 BCLAMPXBCLAMP		
2	86008920	80889	6	BOOT, RUBBER TERM. ISOLATOR		
3	86271910	57295	6	NUT, 5/16-18 FLEXLOCK		
4	86010670	87029	6	WASHER, 5/16 FLAT SS		
5	86264960	27915	2	CABLE TIE, .375 X 43"		
6A	86260610	880836	1	WIRE, 4X25RD CTERM X 3/8RING		
6B	86002570	23190	1	WIRE, 4X27 RD BCLAMP X CTERM		
7A	86260230	80876	1	WIRE, 4X30 BK CTERM X 3/8RING		
7B	86002580	23191	1	WIRE, 4X27 BK BCLAMP X CTERM		
8	86008760	80682	1	CONN, 175 DCA GRY W/O TERMS		
9	86229700	08071	3	BLOCK, 3.0 X 1.5 X 1.5		
10	86008300	78242	1	TRAY, BATTERY LINEAR		
11	86008410	78568	1	TRAY, BATTERY		
12	86272810	67132	1	RING, 1/2 EXT. SNAP H-D		
13	86092910	51396	1	LATCH ROD, BATTERY TRAY		
14	86254990	730313	1	SPRING, COMP, 63ODX3.5LX.074W		
15	86278150	70117	8	SHOULDER BOLT, 5/16 OD X 1.0 L		
16	86259910	89265	8	WHEEL, BATTERY TRAY		
17	86088790	78571	2	TRAY, STANDARD STOP		
18	86276070	70593	4	SCR, 5/16-18 X 3/4 CARRIAGE SS		
19	86270830	57023	4	NUT, 5/16-18 HEX NYLOCK SS		
20A	86228410	10023	3	BATTERY, 12V, 205AH		
20B	86283410	10030	3	BATTERY, 12V, 225AH		
21	86270890	57034	1	NUT, ACORN 10-32		
22	86005810	57245	8	NUT, 1/4-20 HEX NYLOCK, SS		
23	86233360	28038	1	CLAMP, CABLE KIT SY945		
24	86273980	70066	1	SCREW, 10-32 X 3/4 PPHMS SS		
25	86010650	87018	1	WASHER, #10 X 9/16 OD		
-	86284090	02456	1	CHARGER, 36V, 20A, 115V, C175		NOT SHOWN

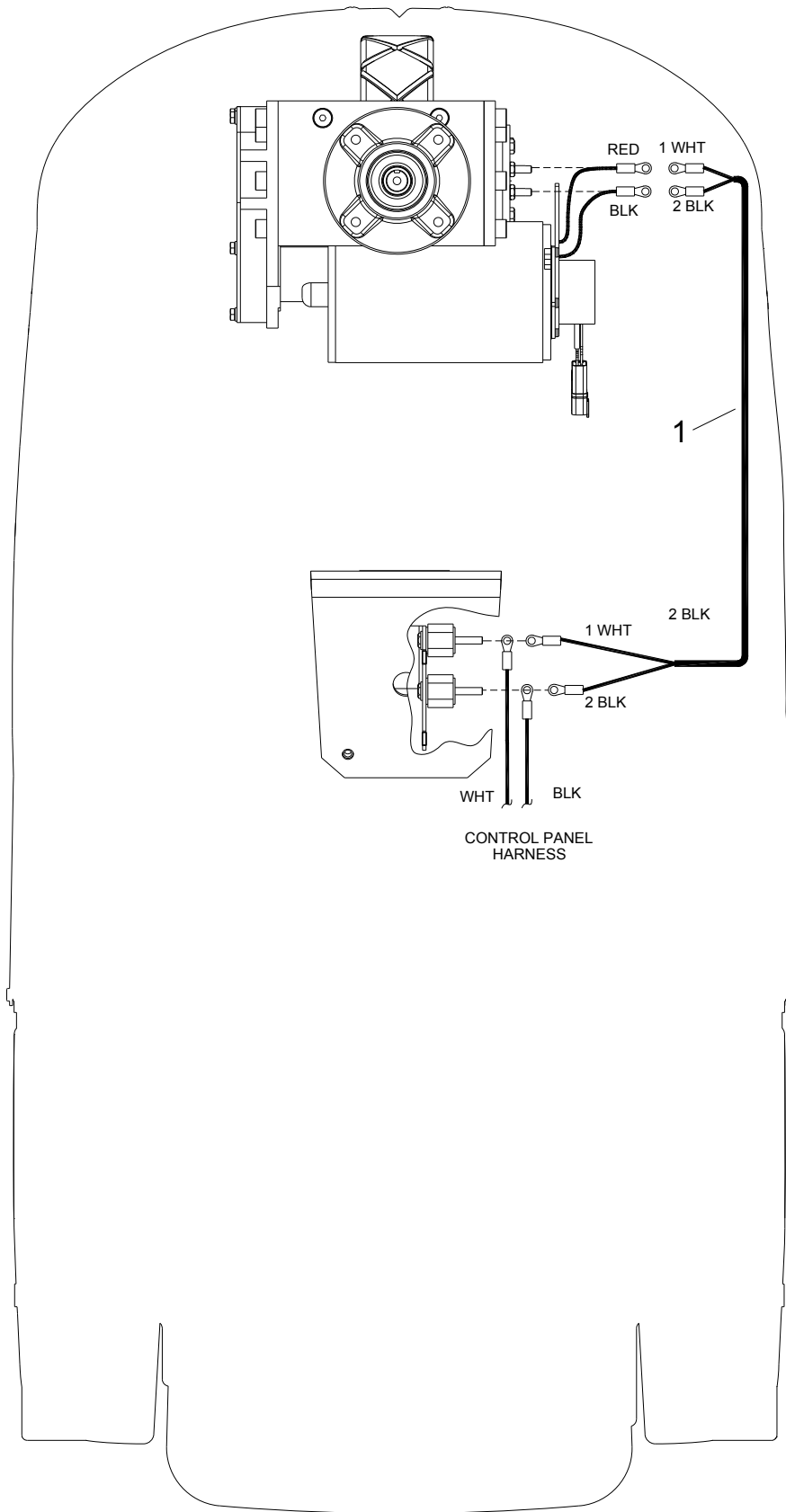


REF	PART NO.	PRV NO.	QTY	DESCRIPTION	SERIAL NO. FROM	NOTES:
1	86229770	140805	1	BLOCK, SHUNT MOUNT		
2	86273980	70066	2	SCREW 10-32 X 3/4 PPHMS SS		
3	86270830	57023	2	NUT 5/16-18 HEX NYLOCK SS		
4	86008920	80889	2	BOOT, RUBBER TERM. ISOLATOR		
5	86238500	81427	2	GROMMET,1.7031DX2.5.ODX.125GRV		
6	86276070	70593	1	SCR, 5/16-18 X 3/4 CARRIAGE SS		
7	86239720	41520	1	HORN, 108DB MINATURE W/RING		
8	86233410	81270	1	CLAMP, 3/4 DIA CUSHION .406DIA		
9	86010670	87029	1	WASHER 5/16 FLAT SS		
10	86270830	57023	1	NUT 5/16-18 HEX NYLOCK SS		

Wiring-Control Panel

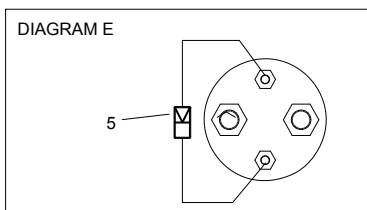
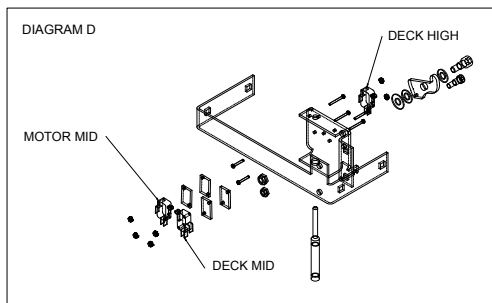
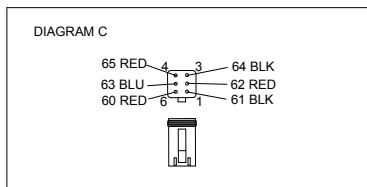
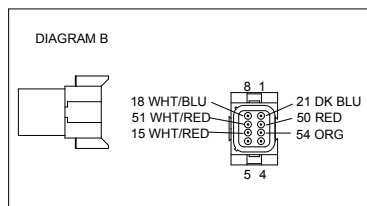
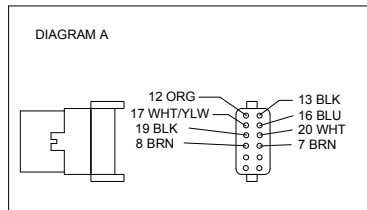
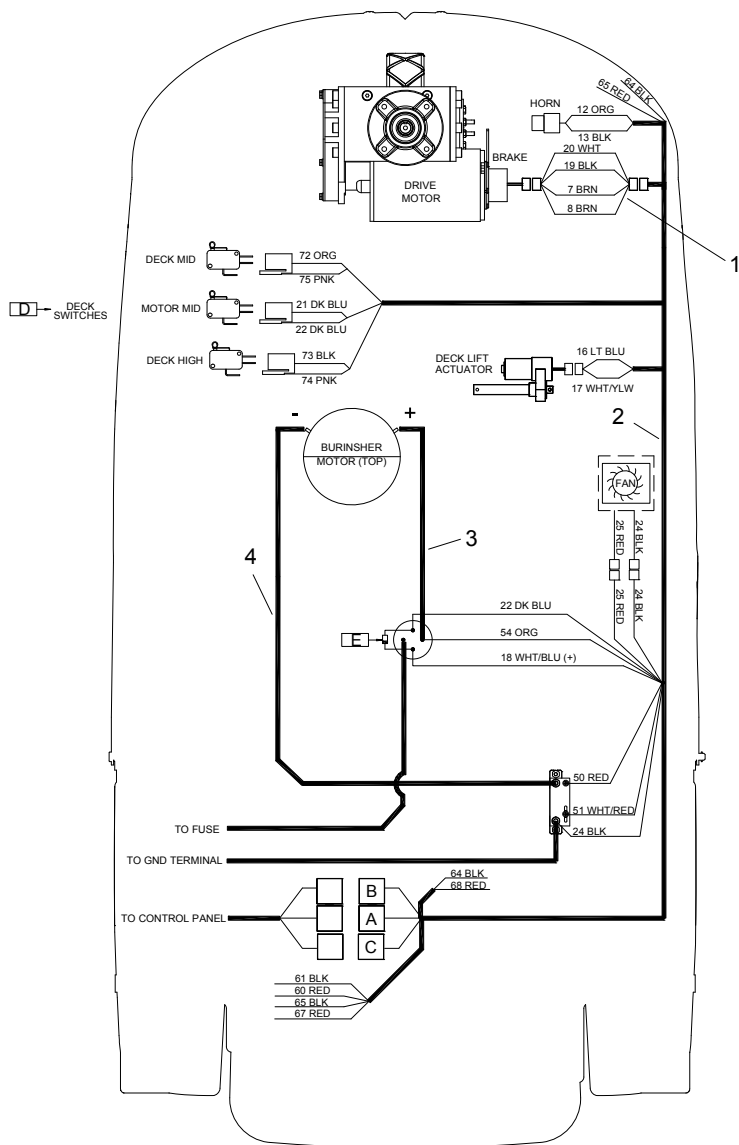


REF	PART NO.	PRV NO.	QTY	DESCRIPTION	SERIAL NO. FROM	NOTES:
1	86251490	67619	1	RESISTOR ASM, 1/2 WATT 33 OHM		
2	86341890	-	1	HARNESS, CONTROL PANEL BRSHR		
3	86260600	880445	1	WIRE, 4X36 RD 5/16 RING		
4	86260540	880426	1	WIRE,4X13 RD C.TERM X 5/16RING		
5	86010860	880353	1	WIRE, 4X20 BK CTERM X 5/16 RING		
6	86260560	880428	1	WIRE, 4X10RD 5/16RING X 5/16RING		
7	86311210	-	1	LIGHT ASM, INDICATOR, CODE		
8	86261250	29273	1	DIODE ASM, FAST RECOVERY		
9	86260590	800044		WIRE, 4X36 BLK 5/16 RING		



REF	PART NO.	PRV NO.	QTY	DESCRIPTION	SERIAL NO. FROM	NOTES:
1	86239120	41522	1	HARNESS, CHARIOT PROPEL		

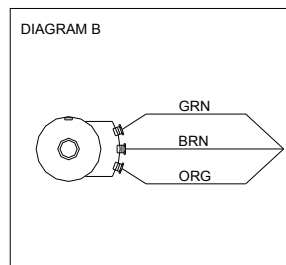
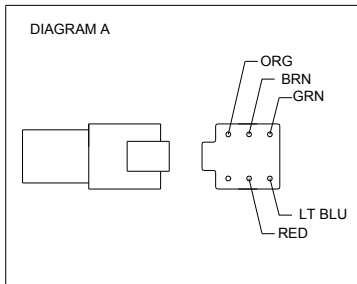
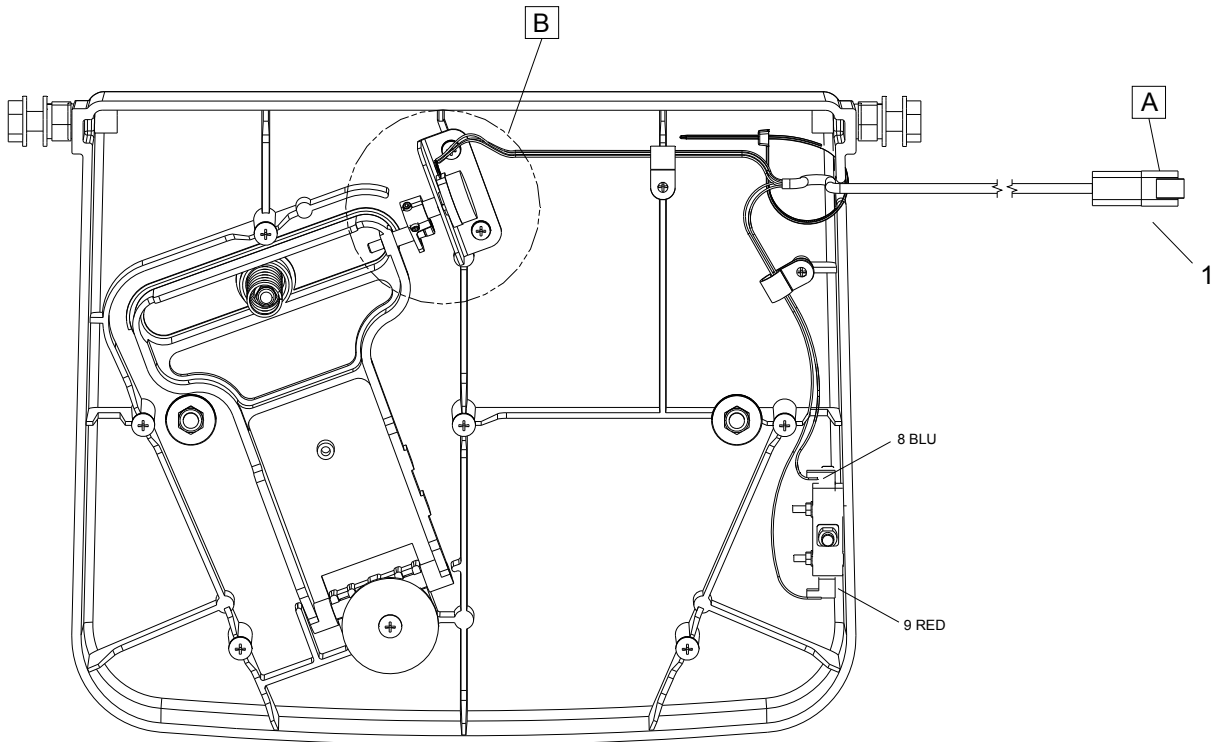
Wiring-Main Harness



SHOWS OPTIONAL EQUIPMENT

REF	PART NO.	PRV NO.	QTY	DESCRIPTION	SERIAL NO. FROM	NOTES:
1	86239170	41528	1	HARNESS, BRAKE		
2	86239190	41538	1	HARNESS, MAIN BRSHR		
3	86344970	-	1	WIRE, 4X30RD 5/16 RINGX 5/16 RING		
4	86260220	80875	1	WIRE4X30BK 5/16RINGX5/16RING		
5	86261210	29204	1	DIODE ASM, 76008 X 76008		

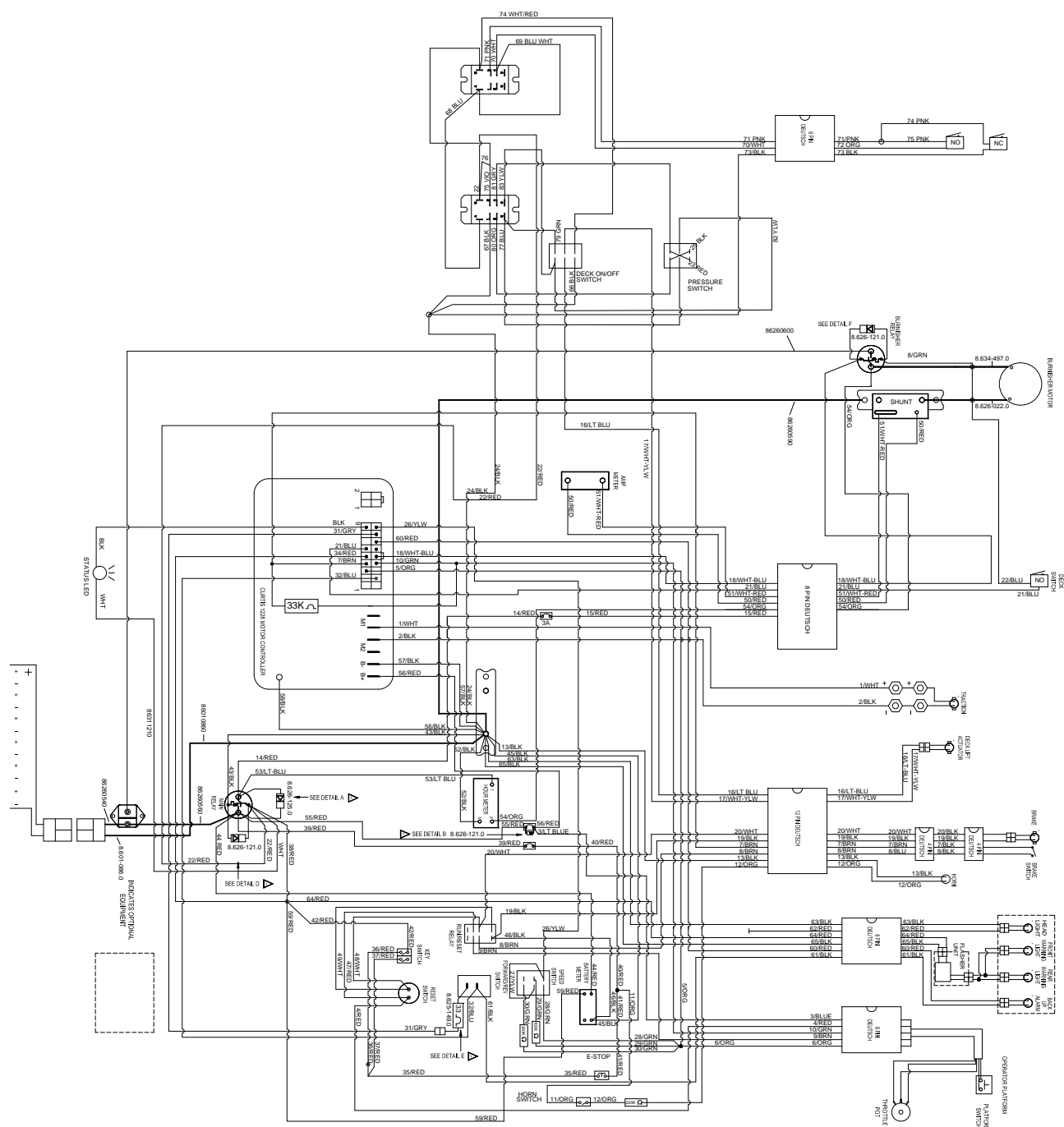
Wiring-Pedal Platform



REF	PART NO.	PRV NO.	QTY	DESCRIPTION	SERIAL NO. FROM	NOTES:
1	86315100	-	1	HARNESS, PEDAL		

Wiring Diagram - From Serial Number *(5)

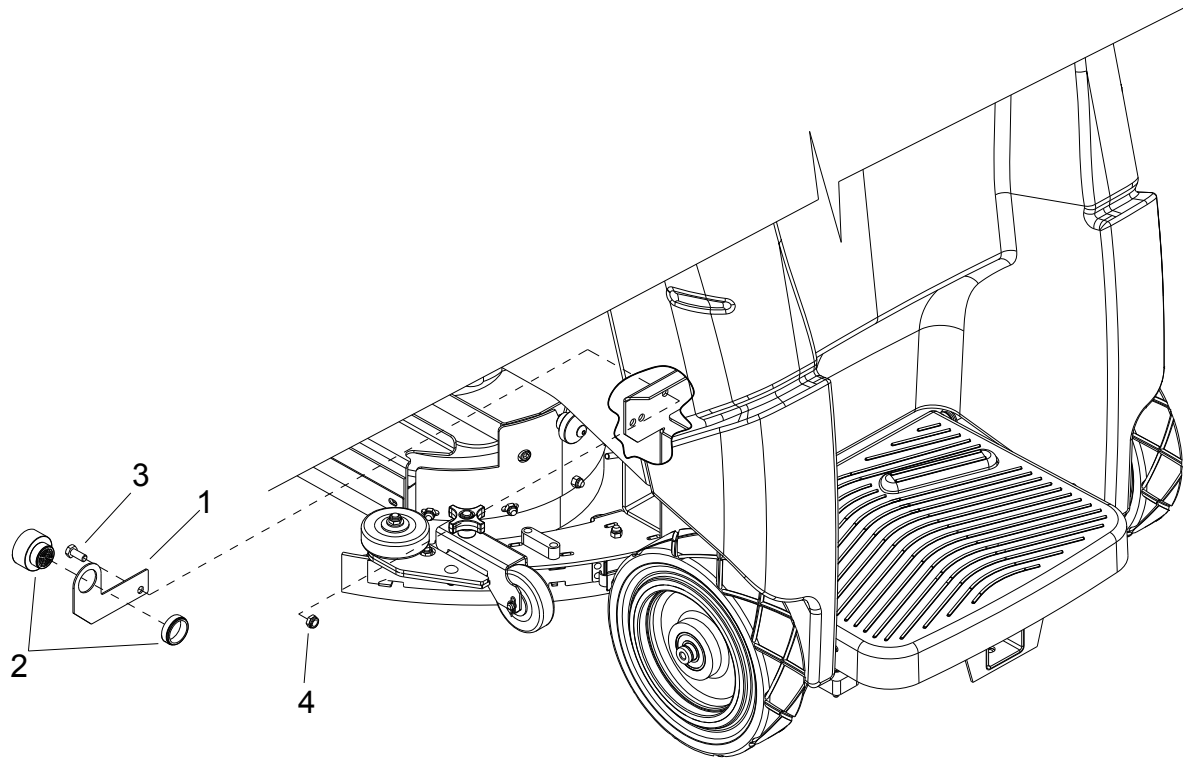
* SEE SERIAL NUMBER PAGE



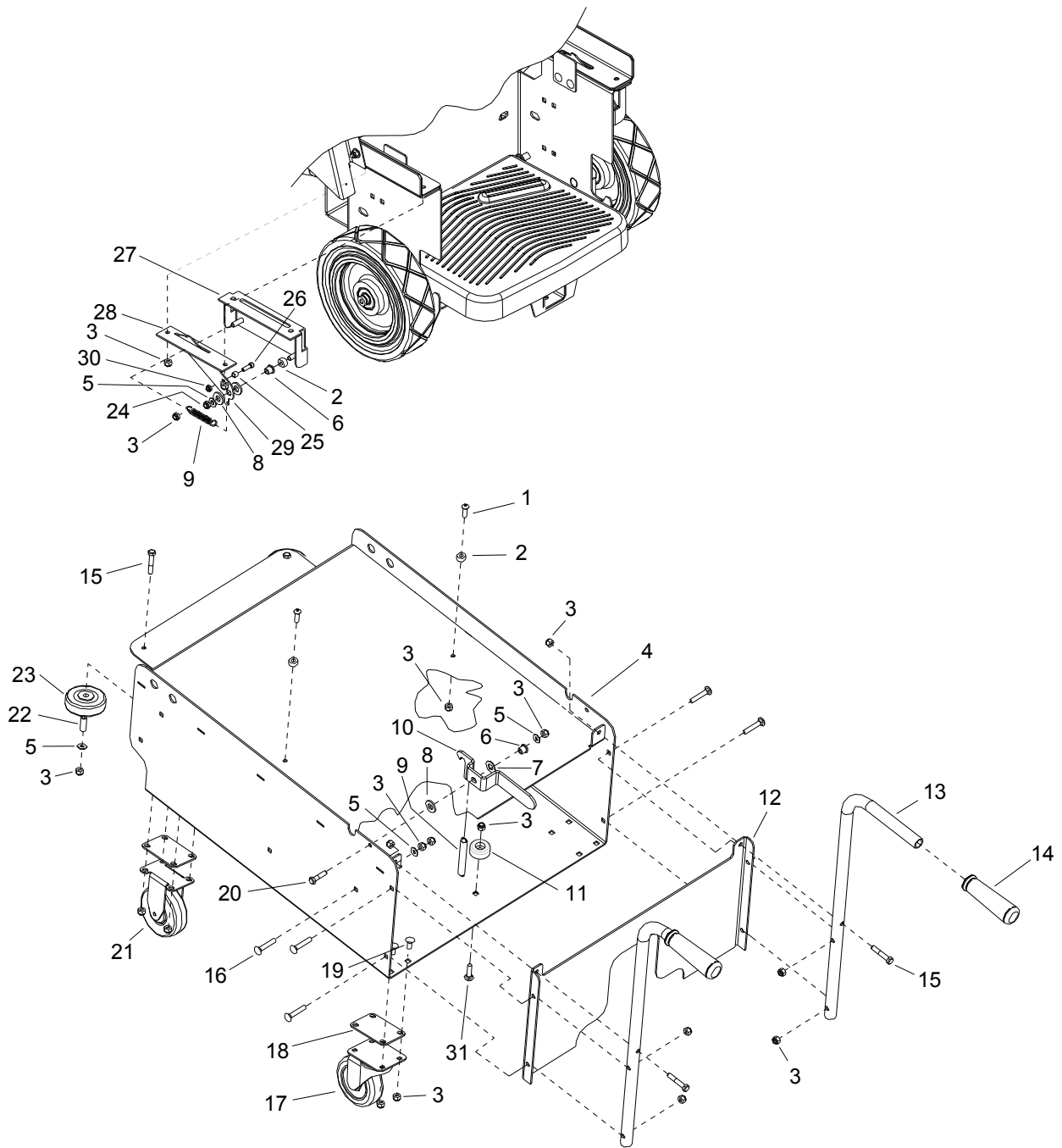
PART NO.	PRV NO.	DESCRIPTION	SERIAL NO. FROM	NOTES:
86284870	2003SM	SM FILTER BAG PACKS 10/PKG		
86001910	14606	BREAKER, 30A 50VDC CIRCUIT		
86002000	14717	BREAKER, 3 AMP 1681-090-300		
86002010	14942	BOOT, 3/8 CIRCUIT BREAKER		
86004870	48077	KNOB, 3.50 ODX3/8-16 THRU HOLE		
86248280	64110	PAD DRIVER ASSEM 20", .88 BORE		
86251410	67506	RELAY 15A 36V MINI		
86007140	72130	SWITCH SPST 2-POSITION ROCKER		
86007170	72159	SWITCH KEY TWO POSITION		
86007190	72161	SWITCH KEY DPST		
86007240	72190	SWITCH SEALED PB ROUND		
86237000	80688	FUSE 80A		
86001740	140816	BRAKE 36VDC W/CONNECTOR		
86002730	270085	CHAIN ISO 08B, 12.7MM PITCH		
86216230	730074	BRUSH, STRIP (PACKAGE OF 6)		
86026450	730352	SHROUD, 20 IN BURNISHER		
86064370	66829	PAN, BURNISHER PAD		PAD INSTALLATION TOOL
86226930	51419	LOCK, PAD DRIVER R/H BIG MOUTH II		

Notes:

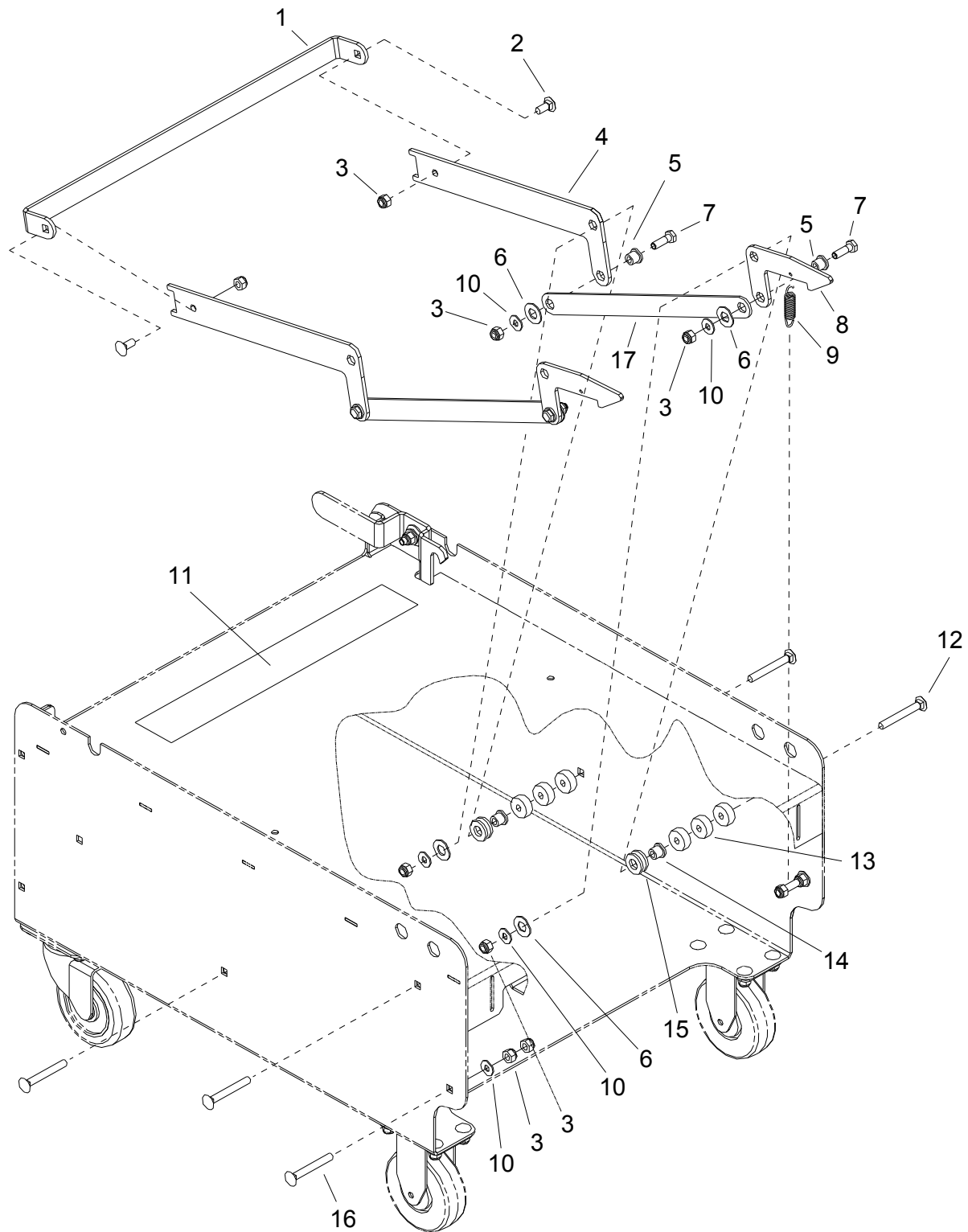
Options



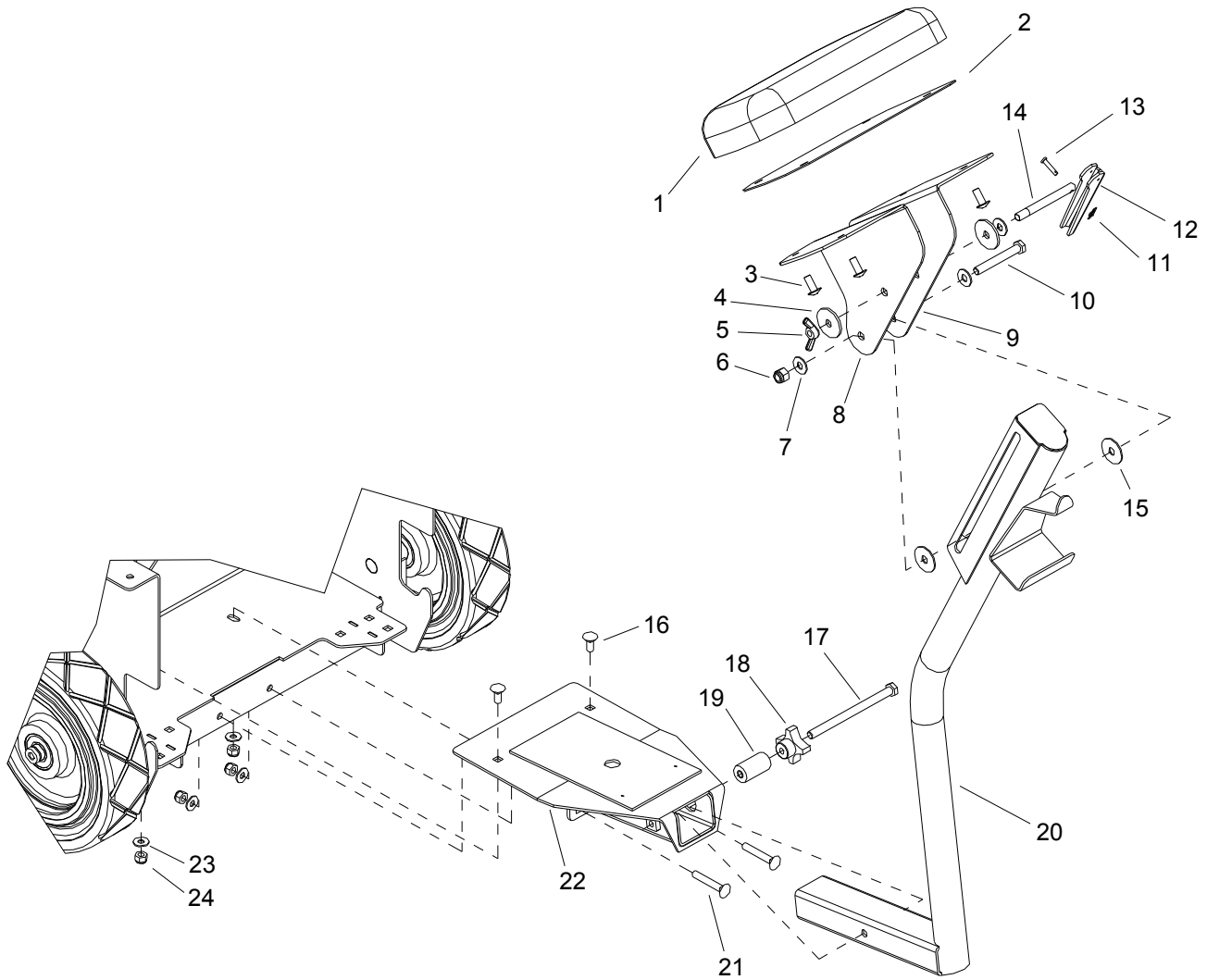
REF	PART NO.	PRV NO.	QTY	DESCRIPTION	SERIAL NO. FROM	NOTES:
1	86071140	140817	1	BRKT, BACK UP ALARM		
2	86231500	80882	1	BUZZER, PIEZO 6-28VCD		
3	86276780	70728	1	SCR, 5/16-18 X 3/4 HHCS SS		
4	86271840	57285	1	NUT, 5/16-18 HEX NYLOCK THIN		



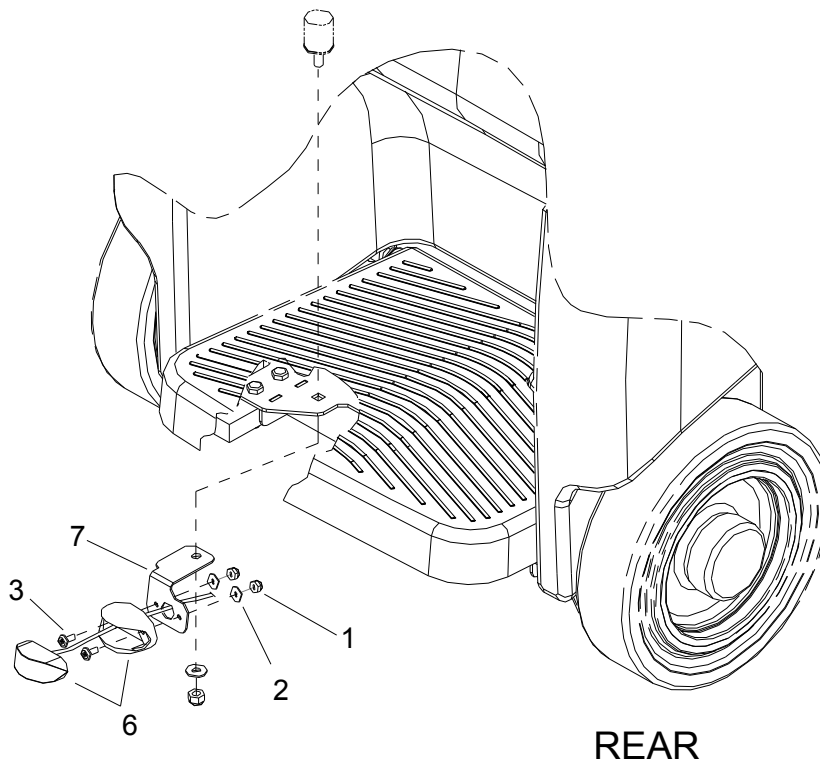
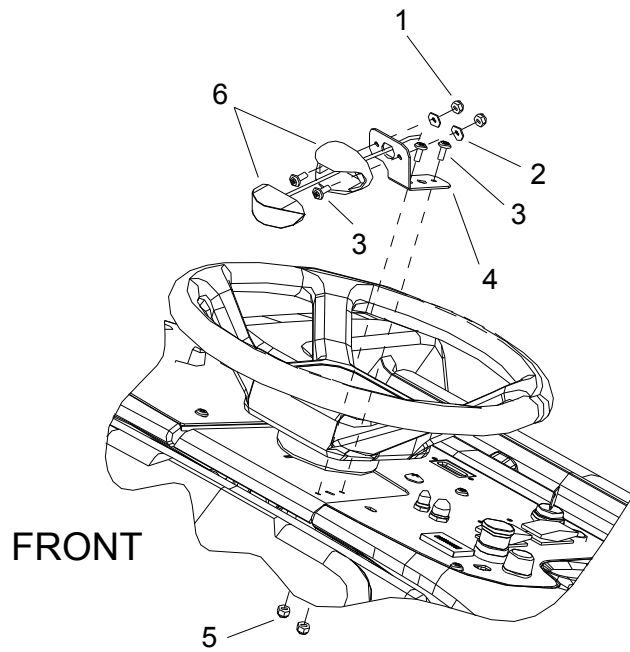
REF	PART NO.	PRV NO.	QTY	DESCRIPTION	SERIAL NO. FROM	NOTES:
1	86006930	70514	2	SCR, 5/16-18 X 1.00 BSHCS SS		
2	86254290	730338	4	SPACER, 10D X .343ID, .5 LG		
3	86270830	57023	33	NUT, 5/16-18 HEX NYLOCK SS		
4	86077010	41517	1	HOUSING, BATTERY CART		
5	86010670	87029	7	WASHER, 5/16 FLAT SS		
6	86228840	09124	3	BEARING, FLANGED .314D X .502OD		
7	86259410	87206	1	WASHER, THRUST, .51 ID X 1 OD X .063		
8	86259400	730331	4	WASHER, THRUST .51 ID X 1 OD		
9	86254890	730018	3	SPRING, EXT, .50D X 4.0L		
10	86068490	140019	1	BRKT, TRAY CATCH		
11	86231090	80809	1	BUMPER, RUBBER 5/16" ID X 1.50		
12	86083120	66442	1	PLATE, BATTERY CART BACK		
13	86076600	38318	2	HANDLE, BATTERY CART		
14	86004070	36196	2	GRIP, POLISHER HANDLE		
15	86276790	70732	4	SCR, 5/16-18 X 1.75 HHCS SS		
16	86276690	70715	7	SCR, 5/16-18 X 1.75 CARR SS		
17	86199430	040-03	2	CASTER SWIVEL 4" 250# CPCTY		
18	86078890	620020	8	PLATE, CASTER SPACER		
19	86277130	70795	16	SCR, 5/16-18 X 1.00 CARRIAGE SS		
20	86274910	70325	1	SCR, 5/16-18 X 1.25HHCS GR5PLT		
21	86232590	18032	2	CASTER, 4" HARD RUBBER RIGID		
22	86001350	140390	2	BUSHING, SPANNER .435 X 1.10		
23	86011020	89202	2	WHEEL, 3" DIA CUSHION RUBBER		
24	86271840	57285	2	NUT, 5/16-18 HEX NYLOCK THIN SS		
25	86008130	73958	2	SPACER, 3/8OD X .62W X .312L, AL		
26	86274730	70265	2	SCR, 1/4-20 X 3/4 SHCS PLTD		
27	86070790	140737	2	BRKT, BATTERY LOCK MOUNT		
28	86087340	730339	2	SPACER, LATCH GUIDE		
29	86070800	140738	2	BRKT, BATTERY TRAY LOCK		
30	86271870	57290	2	NUT, 1/4-20 HEX NYLOCK THIN SS		
31	86276070	70593	1	SCR, 5/16-18 X 3/4 CARRIAGE SS		



REF	PART NO.	PRV NO.	QTY	DESCRIPTION	SERIAL NO. FROM	NOTES:
1	86078330	66478	1	PEDAL, BATTERY CART		
2	86276070	70593	2	SCR, 5/16-18 X 3/4 CARRIAGE SS		
3	86270830	57023	12	NUT, 5/16-18 HEX NYLOCK SS		
4	86087800	730307	2	STIFFENER, PEDAL, BATTERY CART		
5	86228840	09124	4	BEARING, FLANGED .314ID X .502OD		
6	86259410	87206	6	WASHER, THRUST .51 ID X 1 OD X .063		
7	86275760	70540	4	SCR, 5/16-18 X 1 HHCS GR8 PLTD		
8	86077140	51404	2	LATCH, BATTERY CART		
9	86226830	73268	2	SPRING, EXT .68D X 3.00L X .098W		
10	86010670	87029	10	WASHER, 5/16 FLAT SS		
11	86244280	500934	1	LABEL, BATTERY CAR OPERATION		
12	86276060	70590	4	SCR, 5/16-18 X 2.5 CARR GR5		
13	86254280	730331	12	SPACER, 1.00 ODX .32ID X .375		
14	86231150	09151	4	BUSHING FLANGE, .314 X .502 OD		
15	86259400	87205	8	WASHER, THRUST .51 ID X 1 OD BRO		
16	86276690	70715	16	SCR, 5/16-18 X 1.75 CARR SS		
17	86077530	51403	2	LINKAGE, LATCH, BATT CART		



REF	PART NO.	PRV NO.	QTY	DESCRIPTION	SERIAL NO. FROM	NOTES:
1	86248390	730324	1	PAD, REAR REST		
2	86082640	629995	1	PLATE, SEAT COVER		
3	86276890	70752	4	SCR, 5/16-18 X 3/4 PTHMS SS		
4	86279460	87164	2	WASHER, 1/2 SPLIT LOCK PLTD		
5	86270710	01-000277	1	NUT, WING 3/8-16		
6	86271930	57297	1	NUT, 3/8-16 HEX NYLOCK SS		
7	86278910	87003	3	WASHER, 3/8 ID X 7/8 OD SS		
8	86070830	140742	1	BRKT, LEFT REAR SEAT		
9	86070840	140743	1	BRKT, RIGHT REAR SEAT		
10	86277710	730347	1	SCR, 3/8-16 X 2.75 HHCS SS		
11	86008650	80604	1	COTTER, 1/4" RING		
12	86246320	51142	1	LEVER, HANDLE LOCK		
13	86272300	66133	1	PIN, CLEVIS 3/16 X .88 PLTD		
14	86251860	66481	1	ROD, ARM HANDLE LOCK 4" LG		
15	86279620	87200	2	WASHER, .41D X 1.3OD NYLON		
16	86276070	70593	2	SCR, 5/16-18 X 3/4 CARRIAGE SS		
17	86277510	70857	1	SCR, 3/8-16 X 5.0 HHCS SS FT		
18	86009200	81535	1	KNOB, 3/8-16 4 PRONG ALUM		
19	86254300	730350	1	SPACER, SEAT LOCK		
20	86094000	05246	1	SEAT MOUNT POST		
21	86276710	70717	2	SCR, 5/16-18 X 2.0 CARRIAGE SS		
22	86093790	05247	1	RECEIVER ASSY, SEAT MOUNT		
23	86010670	87029	4	WASHER, 5/16 FLAT SS		
24	86270830	57023	4	NUT, 5/16-18 HEX NYLOCK SS		



REF	PART NO.	PRV NO.	QTY	DESCRIPTION	SERIAL NO.FROM	NOTES:
1	86270990	57090	4	NUT, 10-32 HEX NYLOCK SS		
2	86010650	87018	4	WASHER, #10 X 9/16 OD		
3	86276820	70740	4	SCR, 10-32 X 1/2 PTHMS BLK NP		
4	86071490	140871	1	BRKT, UPPER WARNING LIGHT		
5	86270990	57090	2	NUT, 10-32 HEX NYLOCK SS		
6	86246200	51454	2	LED AMBER LIGHT, 12V		
7	86071500	140872	1	BRKT, LOWER WARNING LIGHT		



Manufacturers of Innovative Building Maintenance Equipment

Windsor Industries, Inc.
1351 West Stanford Avenue
Englewood, CO 80110 USA

Phone: 303.762.1800
FAX: 303.762.0817
<http://www.windsorind.com>

EC Declaration of Conformity

We herewith declare, Windsor Industries, Inc.
1351 W. Stanford Ave.
Englewood, CO 80110-5545 USA

that the following product complies with the appropriate essential health and safety requirements of the relevant EC Directives listed below, based on the relevant sections of the applicable EC standards and other normative documents.

Product: Chariot Burnisher 20 - Euro

Product Identification: Rated 36 VDC 95 A

Trademark:



Model/Type Ref.: CBE20

Product Description: This product is a battery powered, self-propelled, wet floor scrubber intended for commercial use.

Applicable EC Directives: EC Machinery Directive
(89/392/EEC & 91/368/EEC & 93/44/EEC & 93/68/EEC)
EC Low Voltage Directive
(73/23/EEC & 93/68/EEC)
EC Directive of Electromagnetic Compatibility
(89/336/EEC & 93/68/EEC)

Applicable Harmonized Standards: EN 60335-1: 1991
EN 60335-2-67: 1992
EN 60335-2-72: 1995
EN 55022: 1998-09
EN 55011: 1998-05
EN 61000-6-2: 1999
EN 61000-4-2: 1995
EN 61000-4-3: 1997

Authorized Signature _____ Date 7-5-05

Title of Signature: Vice President, Windsor Industries, Inc.



REF. NO.	MODEL: SERIAL #
1	10020080000650, 10020090000146, 10020100000016, 10020169000004, 10020210000025
2	10020080000775, 10020090000159, 10020100000019, 10020160000004, 10020210000028
3	10020080000805, 10020090000162, 10020100000019, 10020160000004, 10020210000030
4	10020080001132, 10020090000202, 10020100000060, 10020160000004, 10020210000043
5	10020080001178, 10020090000220, 10020100000071, 10020160000004, 10020210000043

Notes:
