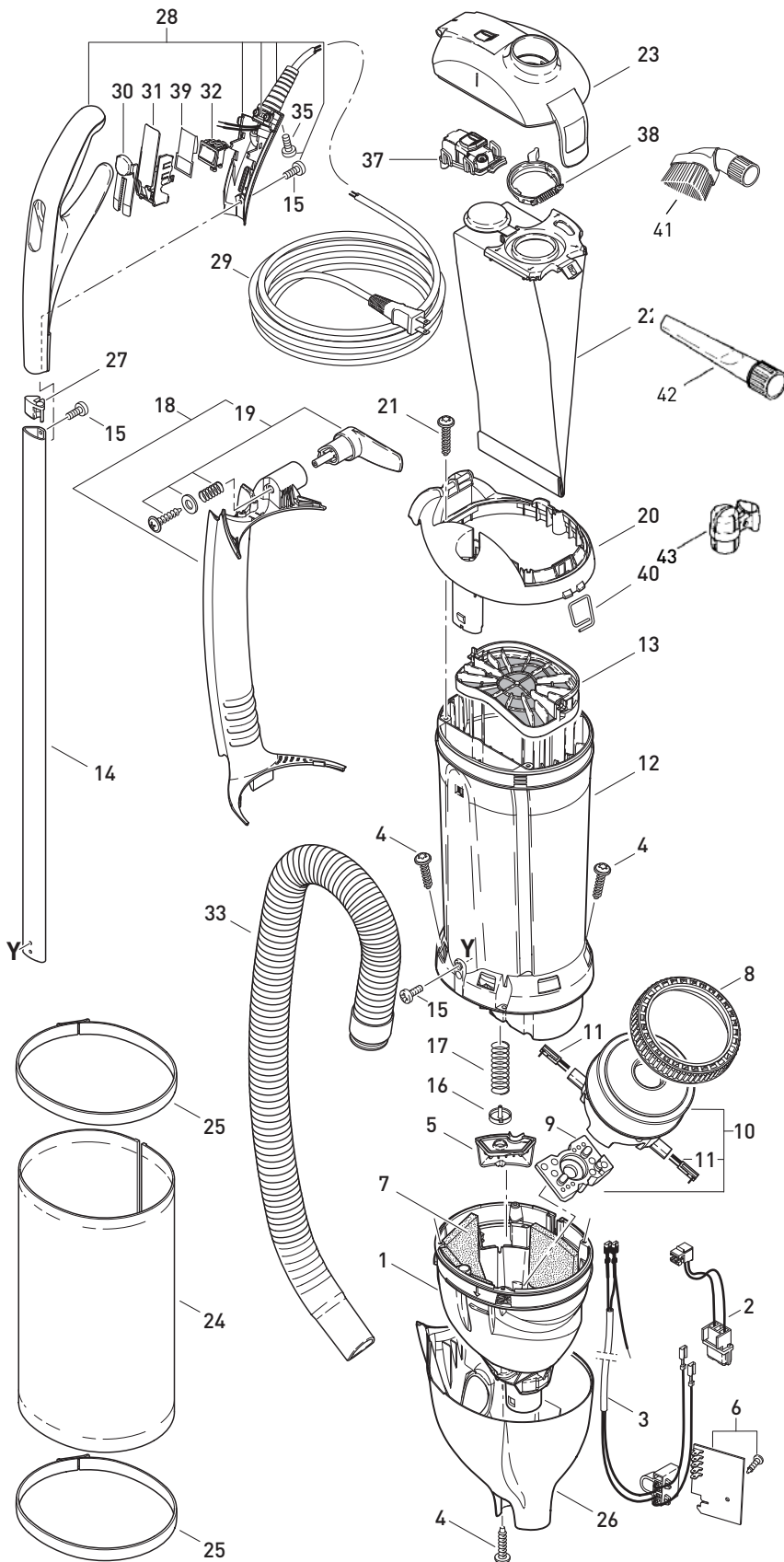


DART SCHEMATIC AND PARTS LIST

#9855AM DART Arctic White (White/Dark Blue)



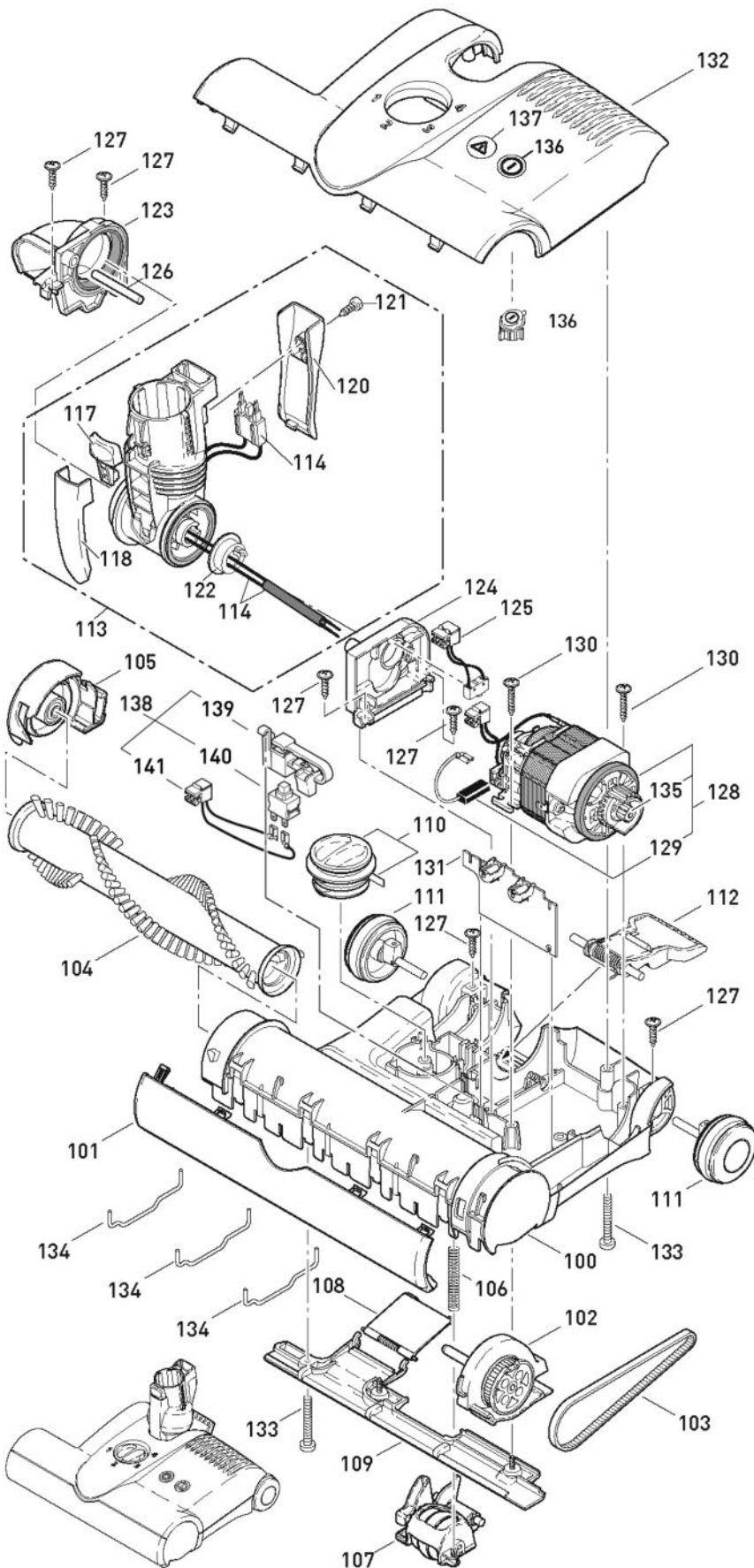
Bag Housing and Handle

9855AM DART Arctic White Machine (White/Dark Blue)

Pos.	Part #	Description
1	7002GS	Air duct
2	7064	Internal wiring ET
3	7070	Internal cable
4	01016	Screw STS 4x16 - T20
5	7057HG	Valve cover
6	7102ER	Printed circuit board 120V
7	7098	Sound insulation
8	1047	VAC motor seal
9	7009	Motor mount
10	7041ER	VAC motor 120V
11	05140S	Carbon brush set
12	7143ER	Bag housing
13	7012ER	Motor Protection filter
14	7080ER	Handle tube
15	0127	Screw M 4x10K
16	7025	Valve disc
17	7028ER	Valve spring set
18	7090WE	Hose duct - arctic white
19	7027WE	Cable hook
20	7092WE	Cover, bag housing
21	01017	Screw STS 4x20 - T20
22	7029ER	Ultra filter bag
23	7091WE	Filter cover - white
24	7095ER08	Exhaust filter - marine blue
25	7017GS	Exhaust filter clamp - gray black
26	7169AM	Lower housing
27	7076GS	Tube plug
28	7163WE	Handle complete w/screws
29	7127DG	Cable, two wire
30	7035GS	Sliding button
31	7178WE	Handle frame
32	05138	Rocker switch, 2-pol.
33	7050SB	Hose
35	01036	Screw 4 x 14
37	7094ER	Filter Indicator, cpl.
38	7018OR	Retaining ring w/spring
39	7142	Protection film
40	7024ER	Spring
41	1387GS	Dusting Brush
42	1092GS	Crevice nozzle
43	7097GS	Double attachment clip - gray black

DART SCHEMATIC AND PARTS LIST

#9855AM DART Arctic White (White/Dark Blue)



Power Head

9855AM DART Arctic White Machine (White/Dark Blue)

Pos.	Part #	Description
100	2324GS	Chassis ET-1
101	2302GS	Bumper, cpl.
102	2314GS	Bearing block, left cpl.
103	2923	Belt 333 3M HTDII-6
104	5010AM	Brush roller, cpl.
105	2313GS	Bearing block, right cpl.
106	2929	Spring
107	2316GS	Pile adjustment assembly, cpl.
108	2909VO	Access door w/axle & spring
109	2304GS	Rear bottom plate, cpl.
110	2931GS	Pile adjustment button
111	2306GS	Wheel, cpl.
112	2937OR	Foot pedal w/axle & spring
113	2309GS	Neck assembly, cpl. - DART
114	0876ER	Wiring neck
117	1737GS	Release button w/leaf spring
118	2962GS	Button cover
120	2961GS	Socket cover, TS-neck
121	01027	Screw F 3.9x9.5
122	2954	Swivel neck bearing
123	2311	Swivel neck support, right
124	2312	Swivel neck support, left
125	0880	Wiring swivel neck switch
126	2928	Axle
127	01021	Screw F 3.9x13
128	2973ER	Brush motor 120V 175W w/pulley
129	05141S	Carbon brush set
130	01020	Screw F 3.9x21
131	2684ER	Controller board ET1, 120V, 175W
132	2331WEAM	Power head cover DART
133	0176TL	Screw AM 4x30
134	5402	Wire tie
135	2319	Motor pulley
136	2957	On/off button/lens
137	2956	Lens right
138	2959ER	Switch cpl. (incl. 139-141)
139	2958ER	Lever w/leaf spring
140	05114	Switch 2 - pole
141	0881	Wire