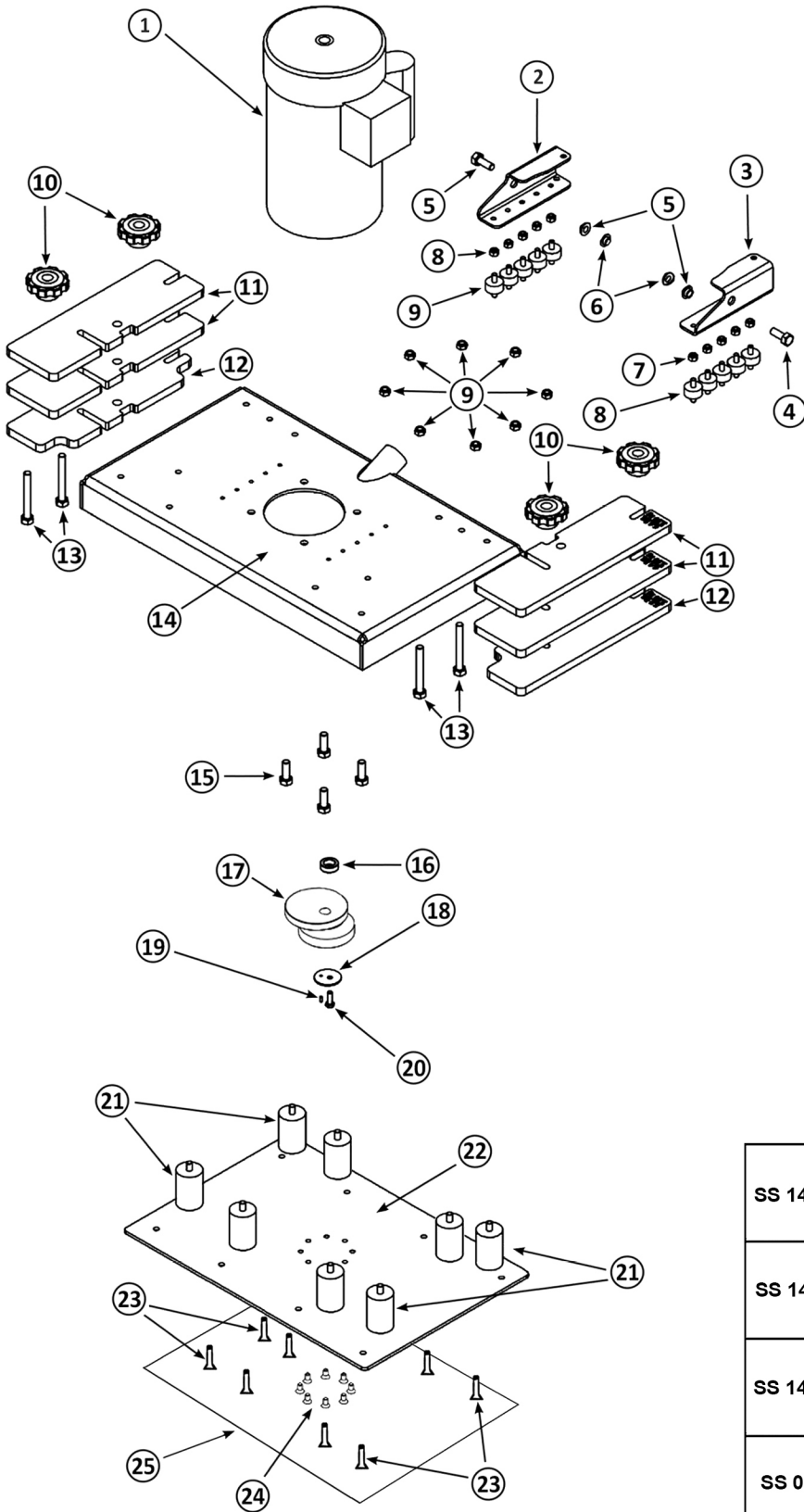


EBG - 28 Pivot

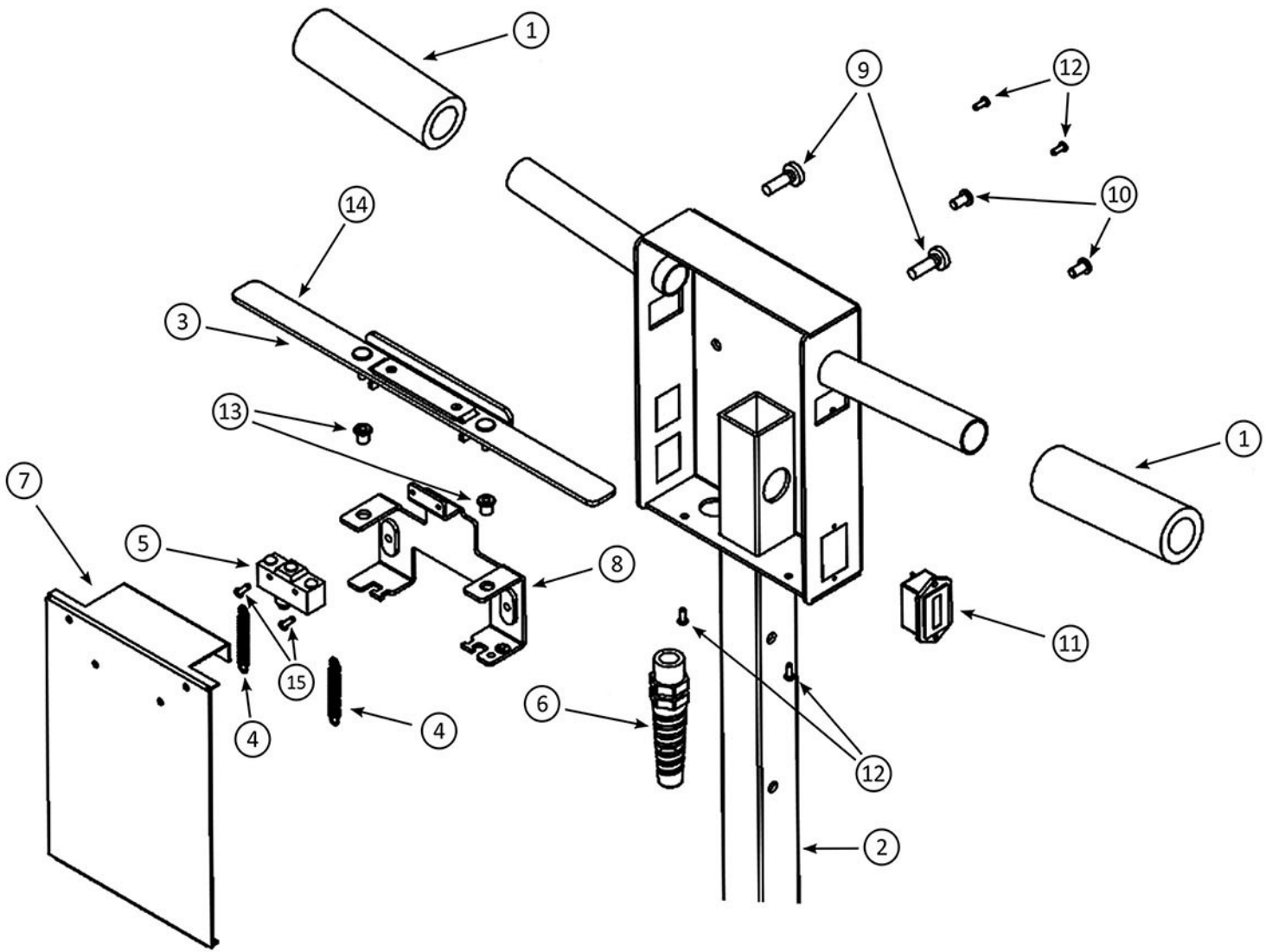


Item No.	Part No.	Part Description
1	SS 142006	Motor Assembly - 3450 RPM
2	SS 01073 PVTR	Right Pivot Bracket
3	SS 01073 PVTL	Left Pivot Bracket
4	SS 01067 PVT	3/8 Pivot Point Bolt
5	SS 01066 PVT	Plastic Flange Bushing
6	SS 01071 PVT	3/8 Lock Nut
7	SS 01074 PVT	1/4 Lock Nut
8	SS 01075 PVT	1/2 Tall Isolator
9	SS 01076 PVT	5/16 Lock Nut
10	SS 142014 PVT	Removable Weight Knob
11	SS 01081 PVT	Top Weight 28"
12	SS 01080 PVT	Bottom Weight 28"
13	SS 01082 PVT	4" Weight Bolts
14	SS 01084 PVT	28" Base
15	SS 01085 PVT	3/8 Motor Mount Bolts
16	SS 01087 PVT	Motor Shaft Spacer 28.213
17	SS 01089 PVT	Eccentric Assembly 28"
18	SS 01030Z	Motor Shaft Crush Washer
19	SS 142031	Key
20	SS 01031ZB	Motor Shaft Bolt
21	SS 01090 PVT	2 1/4" Isolator (8)
22	SS 01091 PVT	Aluminum Driver Plate 28"
23	SS 01036Z	Isolator Bolt
24	SS 01035Z	Eccentric Bearing Cup Bolt
25	SS 142803V	Grip Face 28"
NOT SHOWN	SS 01014Z	Power Cord Assembly
NOT SHOWN	SS 142805	Skirt/Velcro 28"

KITS

SS 142801 PVT	Isolator Replacement Kit (includes: 9, 18, 19, 20, 21, 23, 24, 25)
SS 142819 PVT	Pivot Weight Bolt Kit (includes: 9, 13, 18, 19, 20, 21, 23, 24, 25)
SS 142816 PVT	Pivot Base Plate Assembly (includes: 9, 16, 17, 18, 19, 20, 21, 22, 23, 24, 25)
SS 01075PVT	1/2" Isolator Kit (includes: 7, 8)

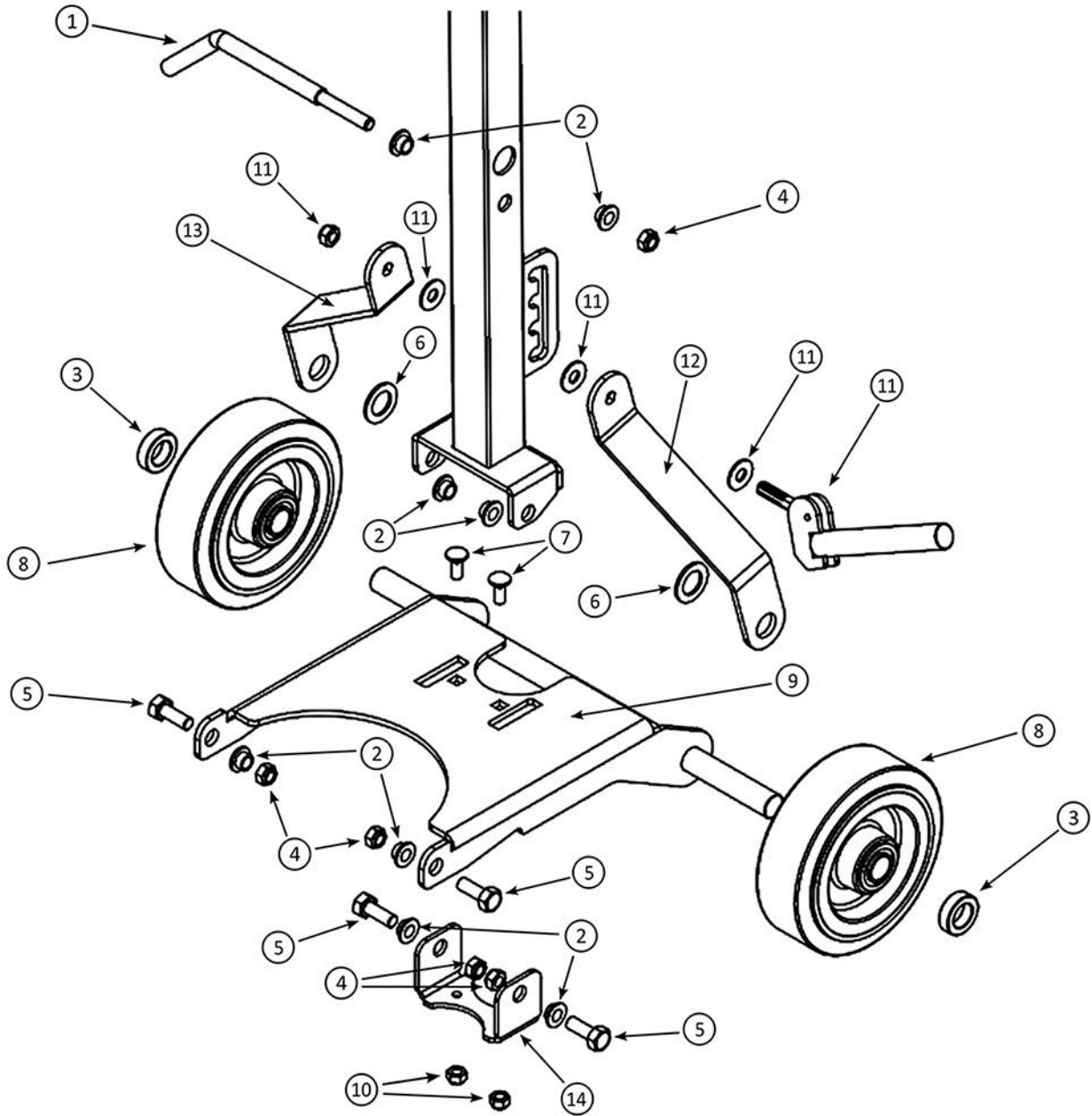
Pivot Upper Handle



Please provide machine serial number when ordering parts.

Item No.	Part No.	Part Description	Item No.	Part No.	Part Description
1	SS 0101Z	Foam Hand Grip	9	SS 01061PVT	Rubber Bumper x2
2	SS 01015PVT	Handle	10	SS 01062PVT	Switch Box Bracket Screws
3	SS 0103Z	Trigger	11	SS 142008	Hour Meter Kit
4	SS 0104Z	Switch Spring	12	SS 01011Z	Box Cover Screws
5	SS 142004	Micro Switch	13	SS 01063PVT	Trigger Guides
6	SS 0106Z	Cord Strain Relief	14	SS 142034	Trigger End Cap
7	SS 0107PVT	Box Cover	15	SS 101064Z	Micro Switch Screw
8	SS 0108PVT	Switch Box Bracket			

Pivot Lower Handle



Please provide machine serial number when ordering parts.

Item No.	Part No.	Part Description	Item No.	Part No.	Part Description
1	SS 01065 PVT	Cord Wrap	11	SS 01022Z	Tension Handle Assembly
2	SS 01066 PVT	Plastic Flange Bushing	12	SS 01021 PVTL	Handle Adjustment Bar (left)
3	SS 01026Z	Axle Collar	13	SS 01021 PVTR	Handle Adjustment Bar (right)
4	SS 01071 PVT	3/8 Lock Nut	14	SS 01072 PVT	Handle Yoke
5	SS 010167 PVT	3/8 Pivot Point Bolts			
6	SS 01024Z	Axle Wave Washer			
7	SS 01068 PVT	Handle Yoke Bolt			
8	SS 01025ZA	Wheel			
9	SS 01069 PVT	1 pc Axle Attachment BRKT			
10	SS 01070 PVT	Handle Yoke Nut			