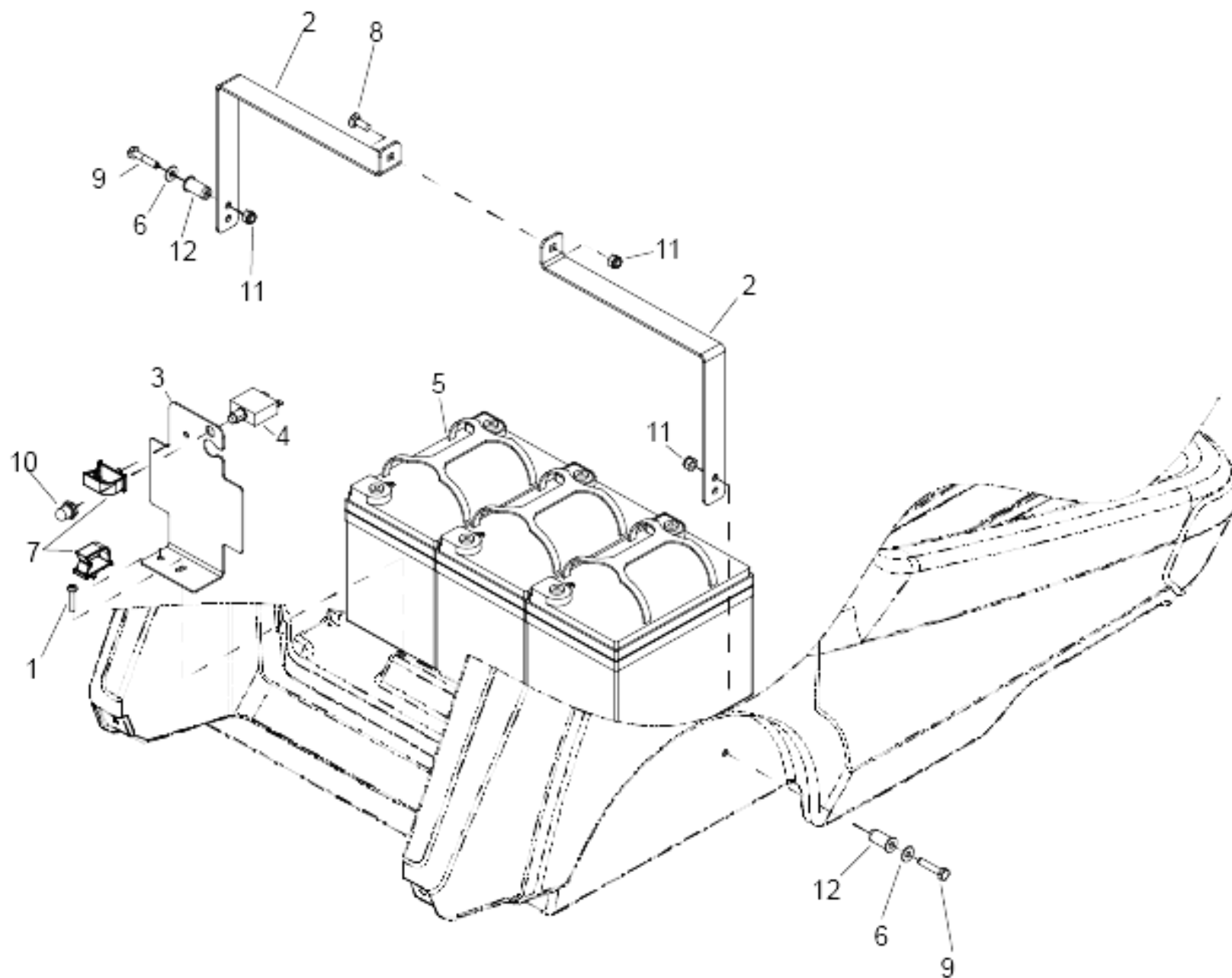


Table of contents

ECO! T11 BP LINER DELUXE (1.013-101.0)	2
1 BATTERIES	3
2 BODY	5
3 CHARGER	7
4 LABELS	9
5 VACUUM	11
6 WAND	13
7 WHEELS	15
8 TRASH ACCESSORIES	17
100 ECO! CART SERIAL NUMBER	19

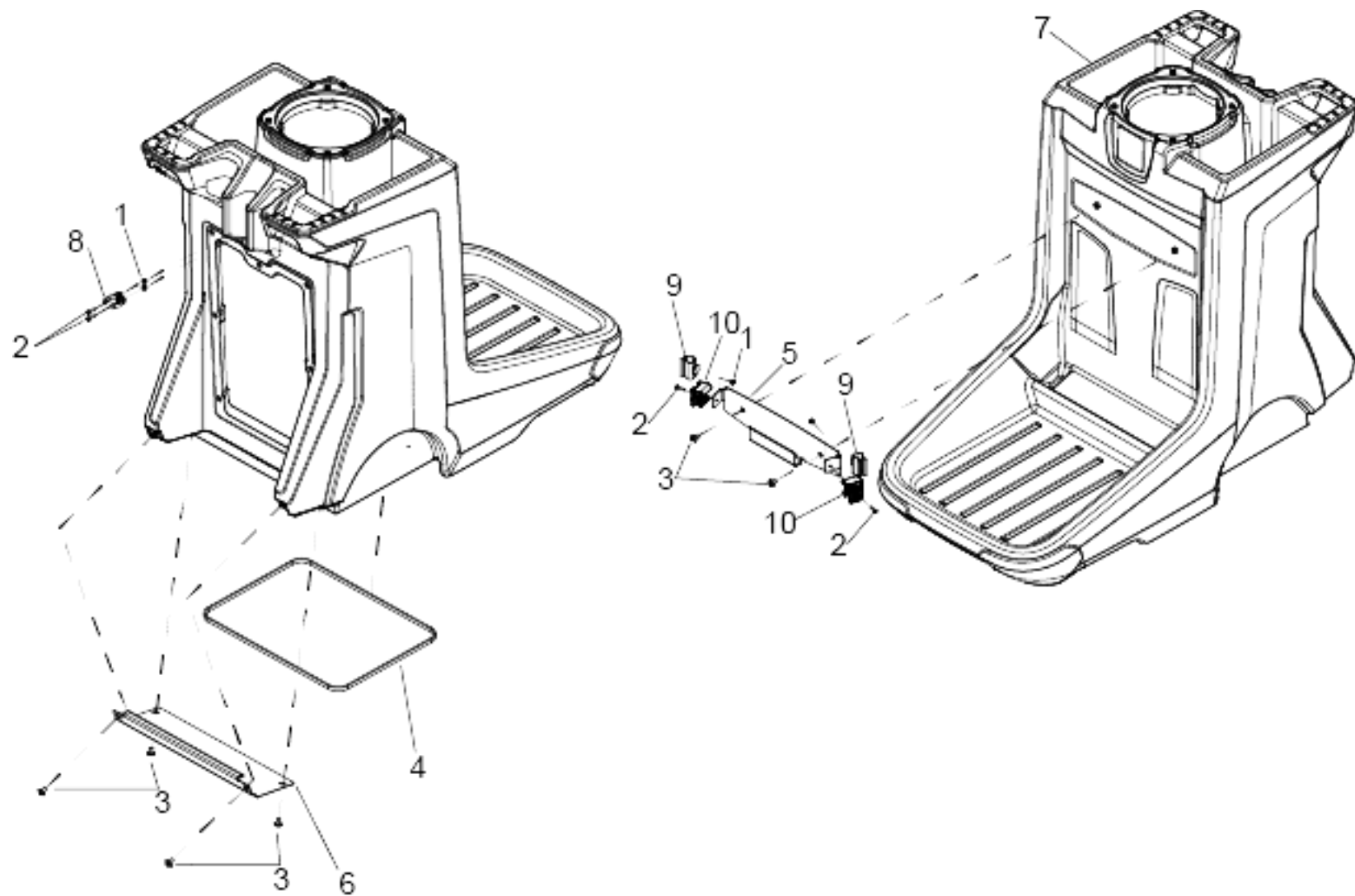
ECO! T11 BP LINER DELUXE (1.013-101.0)

POS	Description	Quantity	Unit
1	BATTERIES	1	PC
2	BODY	1	PC
3	CHARGER	1	PC
4	LABELS	1	PC
5	VACUUM	1	PC
6	WAND	1	PC
7	WHEELS	1	PC
8	TRASH ACCESSORIES	1	PC
100	ECO! CART SERIAL NUMBER	1	PC



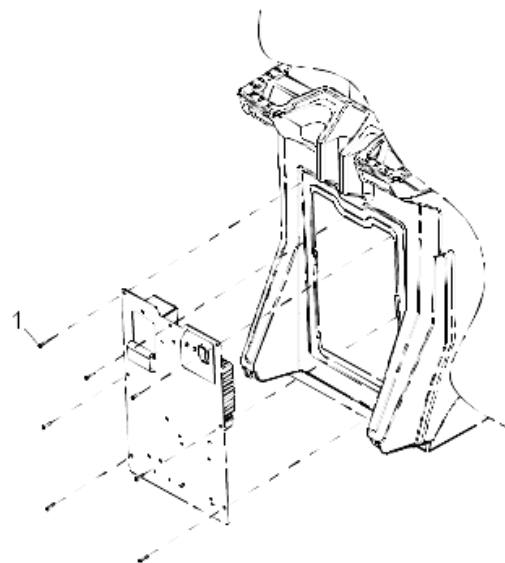
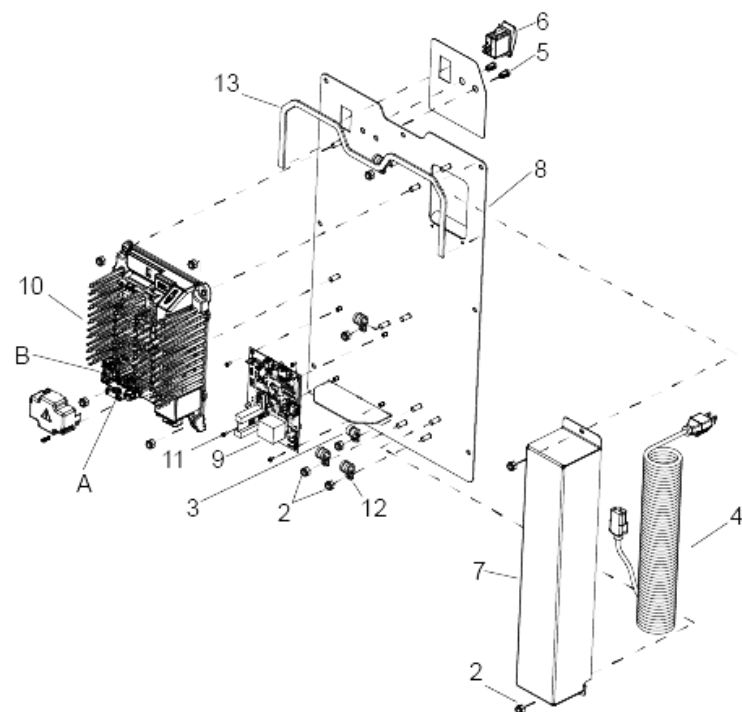
1 BATTERIES

POS	Article no.	Description	Quantity	Unit
1	8.640-858.0	Screw 10-32 X 1 TPNHMS SS BLK ZNPLT	1	PC
2	8.640-395.0	Bracket battery strap	2	PC
3	8.640-240.0	Bracket battery harness	1	PC
4	8.640-214.0	BREAKER, 30A, 250VAC, 50VDC	1	PC
5	8.637-463.0	Battery 12V 33AH	3	PC
6	8.636-177.0	WASHER, 1/4 FLT SS	3	PC
7	8.636-152.0	CLIP, CABLE ENTRY	2	PC
8	8.627-695.0	SCREW, 1/4-20 X .75 CARR SS	1	PC
9	8.627-382.0	SCREW, 1/4-20 X 1.25 HHMS SS	2	PC
10	8.600-890.0	Protecting cap motor protecting switch	1	PC
11	8.627-187.0	NUT, 1/4-20 HEXTHIN NYLOCK SS	3	PC
12	8.600-562.0	NUT, 1/4-20 WELL	2	PC



2 BODY

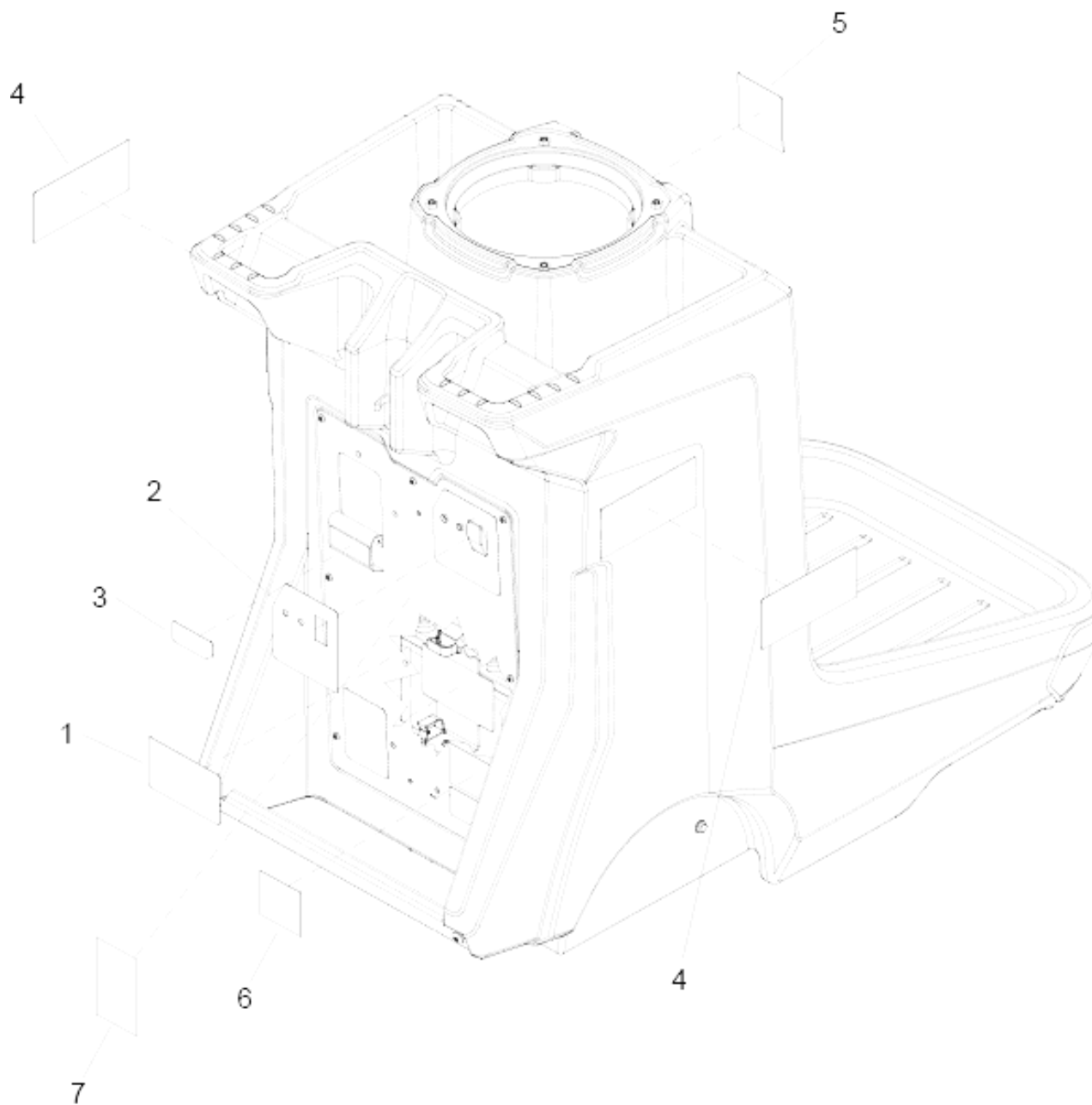
POS	Article no.	Description	Quantity	Unit
1	8.640-279.0	Nut 8-32 HEX NYLOCK ST BLKZINC	4	PC
2	8.640-278.0	Screw 8-32 X.75 TPNHMS SS BLK ZNPLT	4	PC
3	8.640-276.0	Screw 5/16-18 X 1/2 TTRHMS SS BLK ZNPLT	6	PC
4	8.640-186.0	GASKET, .188 x .37 x 61	1	PC
5	8.640-185.0	Bracket trash home base	1	PC
6	8.640-184.0	Bracket wand shelf	1	PC
7	8.759-598.0	Tank Cart T11BPB	1	PC
8	8.600-299.0	CLIP, C 1 1/2" PLASTIC	1	PC
9	6.980-078.0	Holder handhold grey	2	PC
10	5.035-488.0	Adapter Homebase	2	PC



A: TORQUE TO 85±5 OZ-IN
B: TORQUE TO 40±2 LB-IN

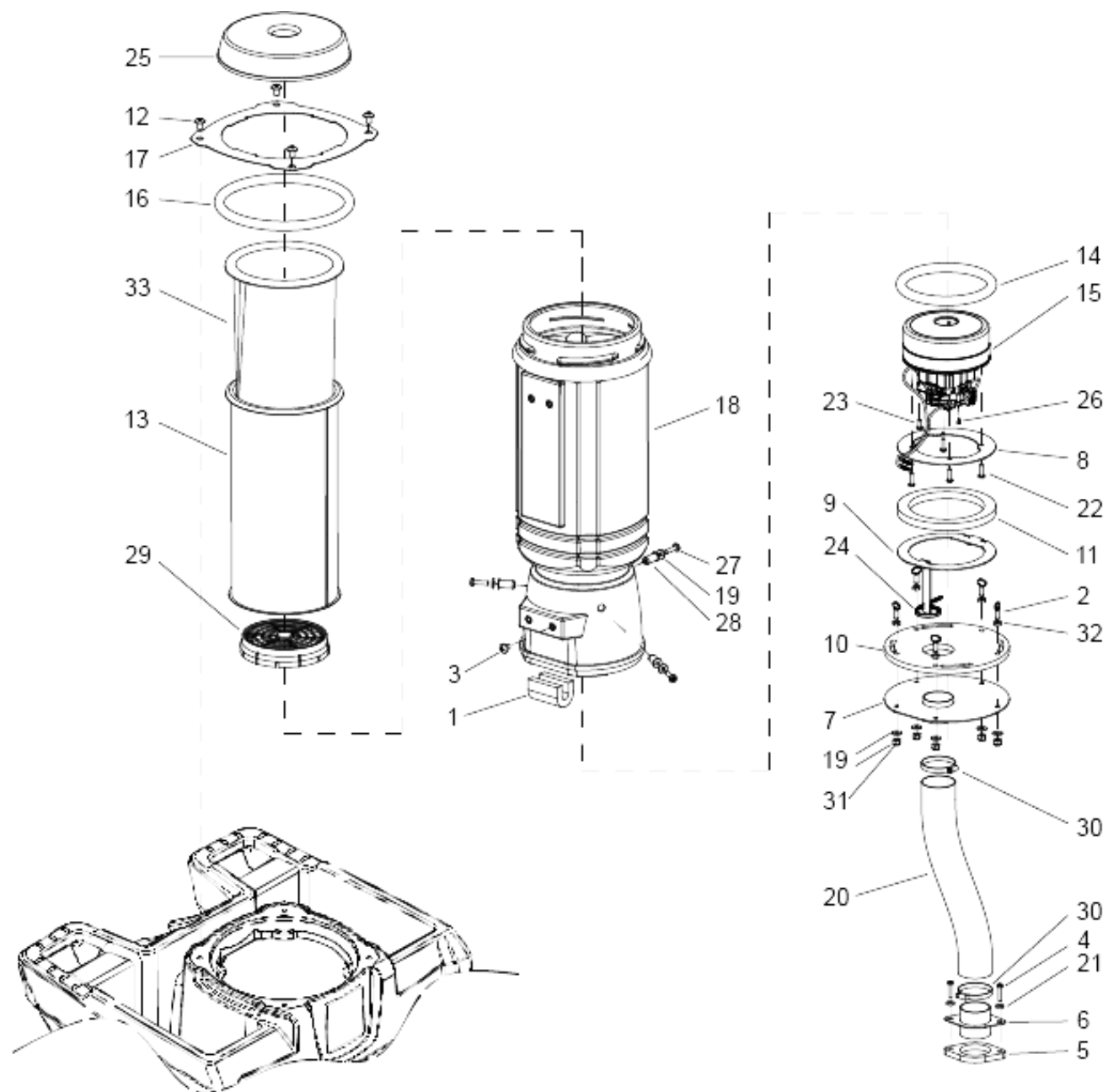
3 CHARGER

POS	Article no.	Description	Quantity	Unit
1	8.640-858.0	Screw 10-32 X 1 TPNHMS SS BLK ZNPLT	7	PC
2	8.627-187.0	NUT, 1/4-20 HEXTHIN NYLOCK SS	11	PC
3	8.640-222.0	Clamp 1/4 cushioned .265 MTG	1	PC
4	8.640-203.0	Cord set 18/3 SVEO coil 20 foot	1	PC
5	8.640-202.0	Bezel LED	2	PC
6	8.640-201.0	Switch SPST 2-POS MOM ROCKER	1	PC
7	8.640-193.0	Bracket cord housing	1	PC
8	8.640-191.0	Panel control T11BPB	1	PC
9	8.639-530.0	PCB ASSEMBLY, T11BPB	1	PC
10	8.637-201.0	CHRGR, 36V 18A IC650 OBC ALG 42	1	PC
10	8.638-816.0	CHRGR, 36V 18A IC650 OBC ALG 196	1	PC
11	8.627-457.0	SCREW, 4-40 X .25 PHPNHMS STL ZNPLT	4	PC
12	8.617-709.0	CLAMP, CABLE 1/2I.D. 1/4BLT	4	PC
13	8.623-790.0	GASKET, .125T X .37W X 23L	1	PC



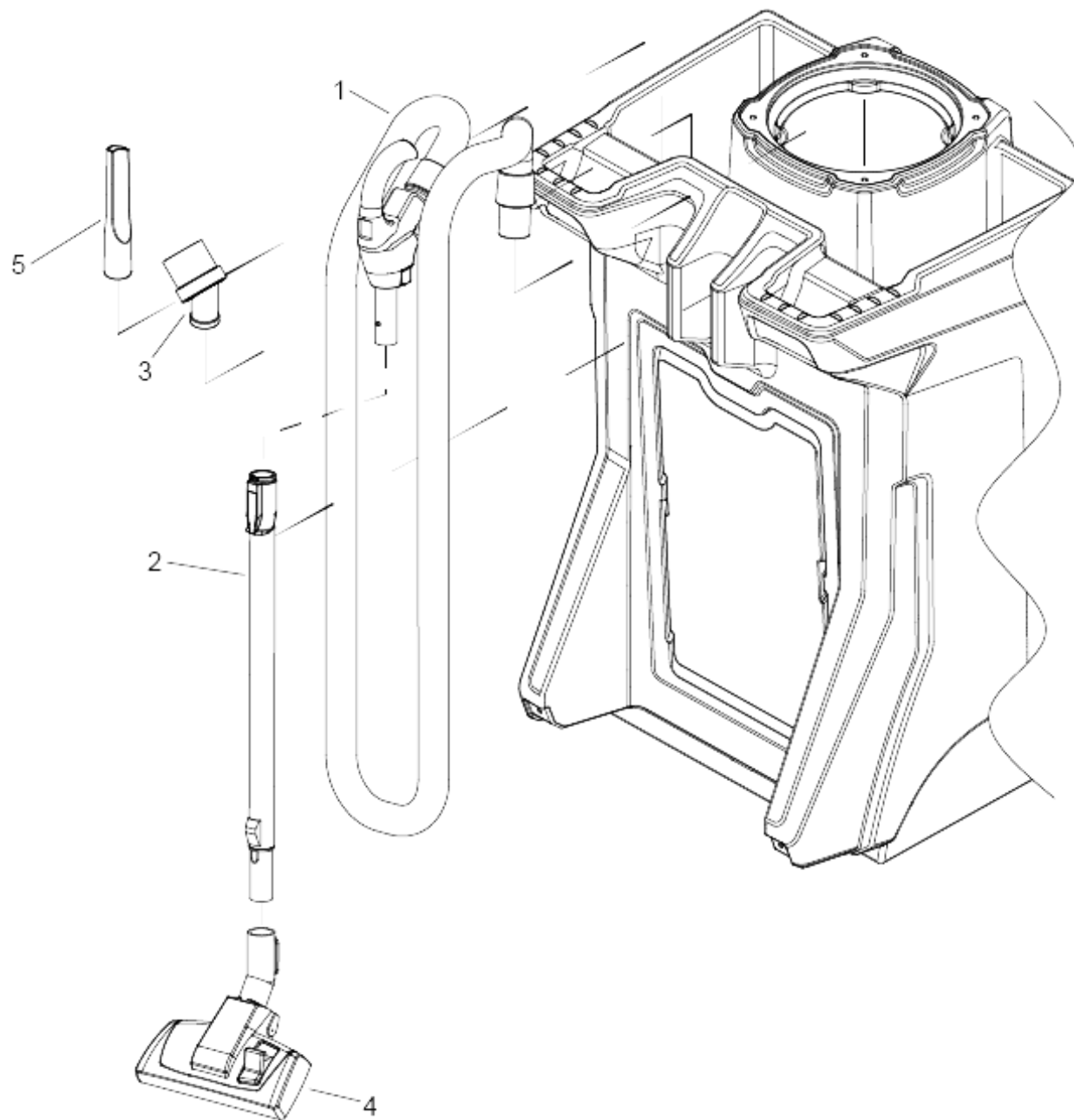
4 LABELS

POS	Article no.	Description	Quantity	Unit	Remark
1	8.640-275.0	Label battery cabling	1	PC	
2	8.640-236.0	Label control panel T11BPB	1	PC	
3	8.640-238.0	Label cord	1	PC	
4	8.640-237.0	Label side	2	PC	
5	8.633-500.0	Label AKW domed logo	1	PC	
6	8.641-535.0	LABEL, CRI, BRONZE	1	PC	
7		Label QR code Morph Eco T11 BP Liner Bas	1	PC	10131000
7		Label QR code Morph Eco T11 BP Liner Del	1	PC	10131010



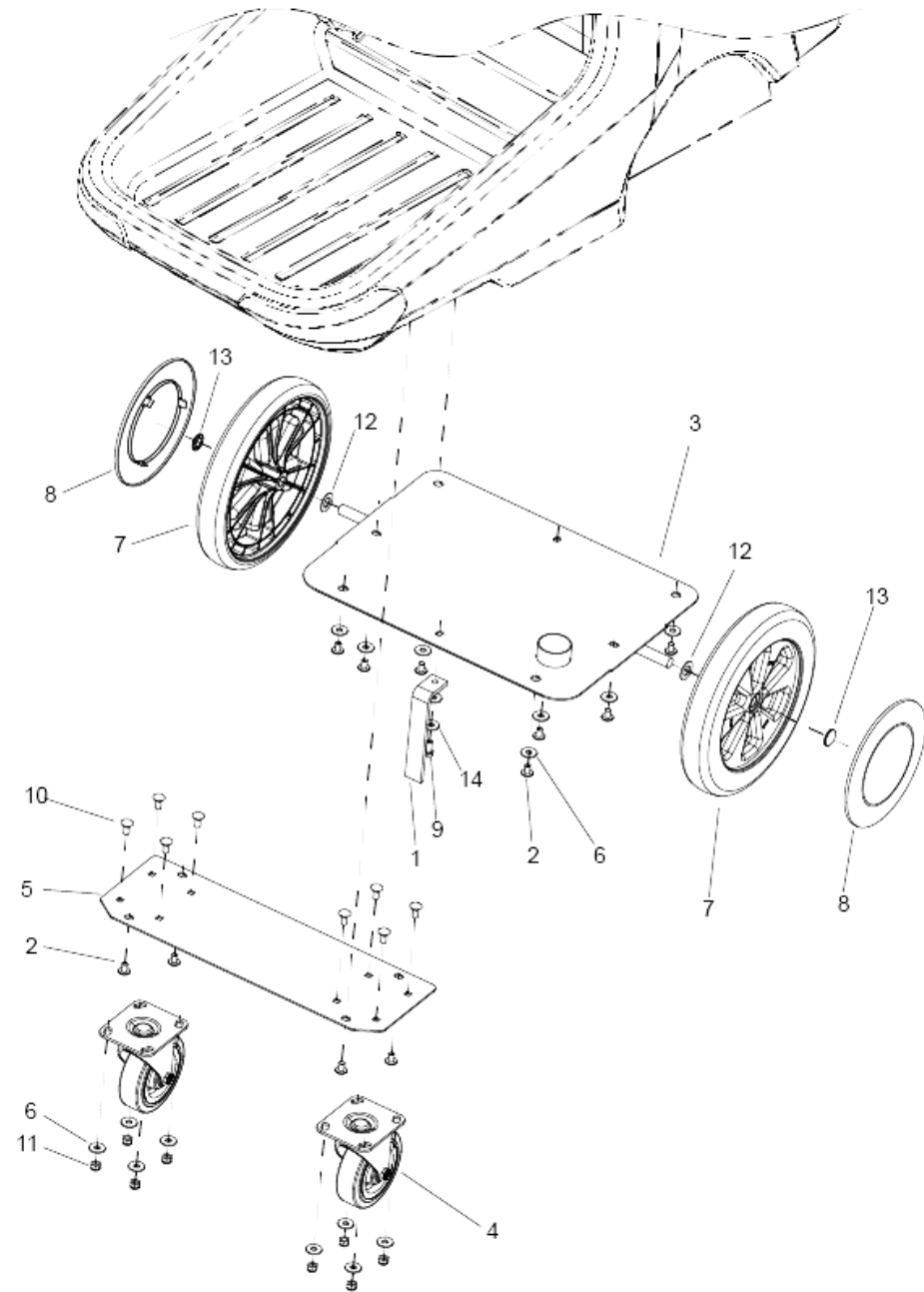
5 VACUUM

POS	Article no.	Description	Quantity	Unit
1	8.640-935.0	GASKET, HARNESS SEAL	1	PC
2	8.637-188.0	SCREW, 1/4-20 x .75 THUMB SS	5	PC
3	8.640-904.0	Screw M8-1.25 X 10 PHPNHMS SS	1	PC
4	8.640-858.0	Screw 10-32 X 1 TPNHMS SS BLK ZNPLT	2	PC
5	8.640-414.0	Gasket muffler bracket	1	PC
6	8.640-388.0	Bracket silencer hose	1	PC
7	8.640-374.0	BRKT, VAC EXHAUST, WELDMENT	1	PC
8	8.640-358.0	Bracket vac motor mount upper	1	PC
9	8.640-357.0	Bracket vac motor mount lower	1	PC
10	8.640-355.0	GASKET, MOTOR CAP	1	PC
11	8.640-354.0	GASKET, MOTOR ISOLATOR	1	PC
12	8.640-276.0	Screw 5/16-18 X 1/2 TTRHMS SS BLK ZNPLT	4	PC
13	8.640-211.0	Bag cloth vacuum 10 QT	1	PC
14	8.640-198.0	GASKET, VACUUM MOTOR	1	PC
15	8.641-303.0	Assembly vac motor 36VDC 2ST FT	1	PC
16	8.640-196.0	GASKET, BAG HOUSING MOUNT	1	PC
17	8.640-195.0	Plate bag housing mount	1	PC
18	8.638-841.0	Housing vacuum bag trimmed	1	PC
19	8.636-177.0	WASHER, 1/4 FLT SS	8	PC
20	8.628-118.0	Hose 2.0 x 17"	1	PC
21	8.627-929.0	Washer #10 FLAT W/NEOPRENE	2	PC
22	8.627-629.0	SCREW, 10 X .75 PPNHMS HI LOW ST BLK ZN	4	PC
23	8.627-435.0	SCREW, 10-24 X .5 PHPNHMC	1	PC
24	8.626-492.0	CABLE TIE, 7" UL/CSA	1	PC
25	8.619-874.0	Cap black	1	PC
26	8.617-310.0	SCREW, M3 X 6 BTNHSCCHCS SS ISO7380	1	PC
27	8.600-653.0	SCREW, 1/4-20 X 1 PHPNHMS SS	3	PC
28	8.600-562.0	NUT, 1/4-20 WELL	3	PC
29	8.600-351.0	FILTER VAC MOTOR	1	PC
30	8.600-238.0	Clamp 2.25" WORM GEAR	2	PC
31	8.627-187.0	NUT, 1/4-20 HEXTHIN NYLOCK SS	5	PC
32	8.627-093.0	NUT, 1/4-20 HEXTHIN SS	5	PC
33	8.619-885.0	FILTER BAG, VP10 PAPER **(PKG/10)**	1	PAC



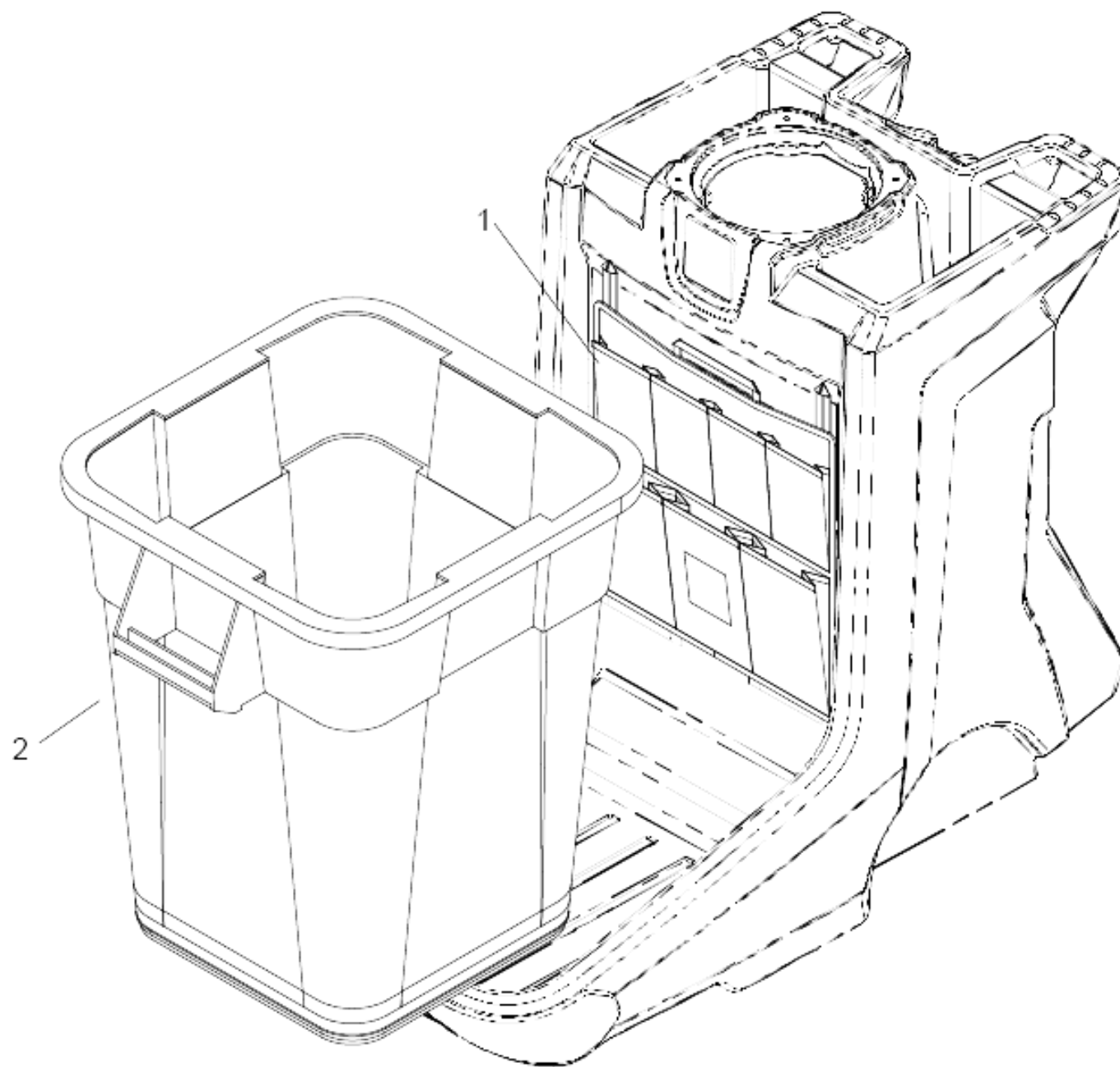
6 WAND

POS	Article no.	Description	Quantity	Unit
1	8.640-361.0	Assembly handle hose 20 FT	1	PC
2	8.640-204.0	WAND, TELESCOPIC, ALUM	1	PC
3	8.634-487.0	BRUSH, DUST	1	PC
4	6.907-410.0	Combination nozzle packaged basalt grey	1	PC
5	6.903-403.0	Crevice nozzle DN32	1	PC



7 WHEELS

POS	Article no.	Description	Quantity	Unit
1	8.640-877.0	Strap static .25T X 1.12W X 8L	1	PC
2	8.640-276.0	Screw 5/16-18 X 1/2 TTRHMS SS BLK ZNPLT	11	PC
3	8.640-181.0	Bracket rear wheel mount	1	PC
4	8.640-180.0	CASTER, 5" DIA SWIVEL	2	PC
5	8.640-179.0	Plate caster mount	1	PC
7	8.630-979.0	Wheel 12" x 2.25"	2	PC
8	8.630-007.0	HUBCAP, 9.75" WHEEL, BLACK	2	PC
9	8.718-618.0	Bolt 5/16-18 X 3/4" HH GR 5 CS ZINC	1	PC
10	8.718-625.0	Bolt 5/16"-18X3/4",NC CRRGE ZNC(615951)	8	PC
11	9.802-776.0	NUT, 5/16-18, ESNA	8	PC
12	8.601-073.0	WASHER, 5/8 X .64 X 1.188 SS	2	PC
13	8.600-166.0	HUBCAP, 5/8" SHAFT	2	PC



8 TRASH ACCESSORIES

POS	Description	Quantity	Unit
1	POUCH, CART SUPPLIES	1	PC
2	CAN, TRASH, 40 GAL, BLK	1	PC

100 ECO! CART SERIAL NUMBER

POS	Description	Quantity	Unit
10	SERIAL NUMBER PAGE	1	PC
