

Spare parts list

(2.640-355.0) FR 30 Me

Table of contents

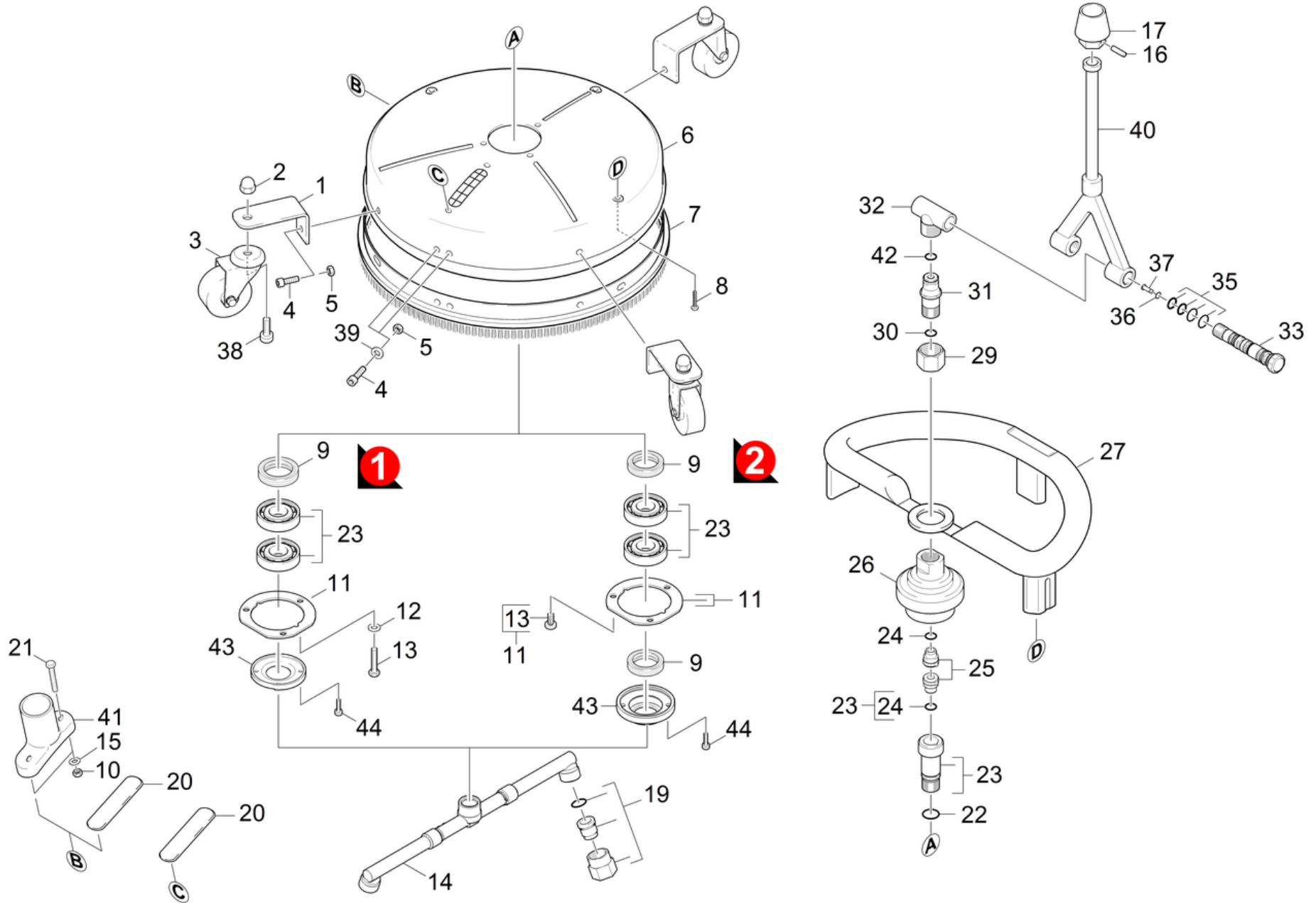
FR 30 Me (2.640-355.0)	3
Spare parts list FR 30 (5.970-105.0)	4
10 Surface cleaner	5
11 Spare part set flange (4.880-002.0)	8
19 Nozzle pack 025 (2.639-187.0)	9
19 Nozzle pack 04-1100-1300 l/h (2.639-188.0)	11
19 Nozzle pack 020-500-650 l/h (2.640-401.0)	13
19 Nozzle pack 032 (2.640-442.0)	15
19 Nozzle pack 018 (2.640-482.0)	17
23 Bearing complete (4.250-078.0)	19

FR 30 Me (2.640-355.0)

POS	Article no.	Description	Quantity	Unit
0	5.970-105.0	Spare parts list FR 30	1.000	ST

Spare parts list FR 30 (5.970-105.0)

POS	Description	Quantity	Unit
10	Surface cleaner	1.000	ST



10 Surface cleaner

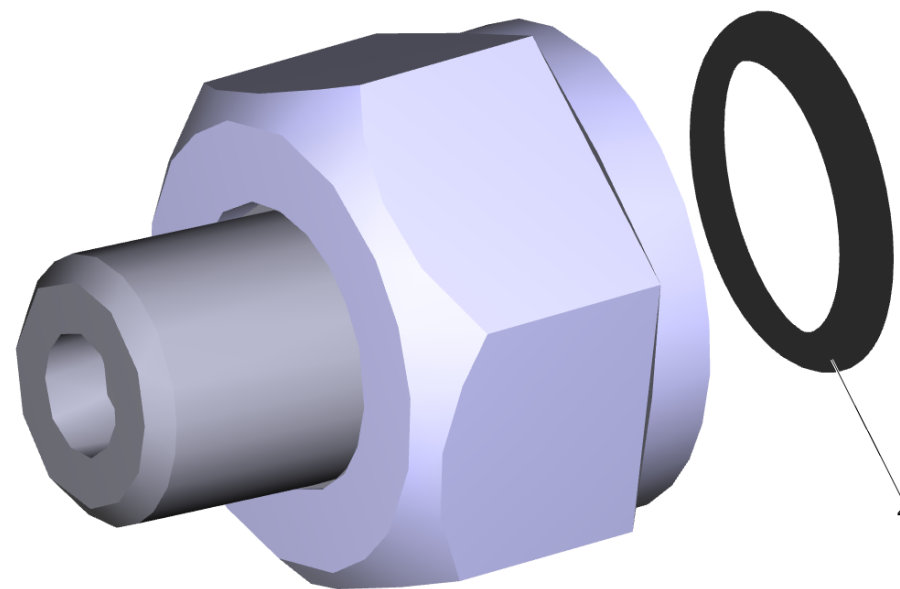
POS	Article no.	Description	Quantity	Unit	Foot note text
1	5.058-584.0	Holder	3.000	ST	
2	7.311-402.0	Cap nut M10-A1-50 DIN 1587	3.000	ST	
3	6.435-694.0	Castor	3.000	ST	
4	7.306-192.0	Screw M 6x 12-A2-70 (In6Rd)	7.000	ST	
5	7.311-422.0	Hexagon nut M 6-1.4305 ISO 10511	7.000	ST	
5	7.311-128.0	Hexagon nut M6 -A4 DIN 985	7.000	ST	
	Item text1: 2.640-437.0				
6	5.058-555.0	Cover	1.000	ST	
7	6.369-831.0	Brush-corona FR 30	1.000	ST	
8	7.303-117.0	Screw 4x20 -A2-70 (In6Rd)	3.000	ST	
9	7.367-000.0	Radial shaft seal ring A20x30x7-NBR DIN	2.000	ST	
10	7.311-028.0	Hexagon nut M 4-04-A2E ISO 4035	2.000	ST	
11	5.122-003.0	Flange	1.000	ST	VERSION 1
11	4.880-002.0	Spare part set flange	1.000	ST	VERSION 2
12	7.312-052.0	Washer 5 -A2 ISO 7089	1.000	ST	VERSION 1
13	7.306-180.0	Screw M5x10-A2-70 (In6Rd)	3.000	ST	
14	4.764-154.0	Nozzle holder	1.000	ST	
15	7.312-067.0	Washer 4-A2 ISO 7089	2.000	ST	
16	6.343-150.0	Pin 03	1.000	ST	
17	5.394-530.0	Protection part complete	1.000	ST	
19	2.640-482.0	Nozzle pack 018	1.000	ST	
19	2.640-442.0	Nozzle pack 032	1.000	ST	
19	2.640-401.0	Nozzle pack 020-500-650 l/h	1.000	ST	
19	2.639-188.0	Nozzle pack 04-1100-1300 l/h	1.000	ST	
19	2.639-187.0	Nozzle pack 025	1.000	ST	
20	5.064-128.0	Cover	2.000	ST	
21	7.306-209.0	Screw M 4X 20-A2-70 (In6Rd)	2.000	ST	
22	6.362-388.0	O-Ring seal 8,0x1,5 -EPDM 70	1.000	ST	
23	4.250-078.0	Bearing complete	1.000	ST	
24	6.362-658.0	O-Ring seal 7 X 1,5-NBR 90	2.000	ST	
25	5.111-322.0	Sleeve	2.000	ST	
26	5.108-267.0	Turned part	1.000	ST	
27	5.321-752.0	Handhold	1.000	ST	

10 Surface cleaner

POS	Article no.	Description	Quantity	Unit	Foot note text
	Item text1: 2.641-962.0				
27	5.321-716.0	Handhold	1.000	ST	
	Item text1: 2.640-355.0 /-437.0 /-447.0 /-448.0 /				
	Item text2: -449.0 /				
29	7.383-004.0	Union nut B1 LL15 -Ms DIN3870	1.000	ST	
30	6.362-384.0	O-Ring seal 9x1,5 - NBR 70	2.000	ST	
31	5.424-130.0	Sealing cone	1.000	ST	
32	5.427-314.0	T-Piece	1.000	ST	
33	5.100-428.0	Shaft	1.000	ST	
35	2.883-982.0	Spare part set O-Ring seal	1.000	ST	
36	6.362-360.0	O-Ring seal 4,0 X 1,0-EPDM 77	1.000	ST	
37	5.317-098.0	Bolt	1.000	ST	
38	7.306-234.0	Cylinder head screw M10x20-A4-70 ISO 47	3.000	ST	
39	7.312-026.0	Washer 6 -A2 ISO 7089	7.000	ST	
40	4.481-207.0	Joint	1.000	ST	
41	5.032-474.0	Suction connection	1.000	ST	
42	2.880-154.0	O-Ring kit	1.000	ST	
43	5.122-443.0	Flange	1.000	ST	VERSION 2
43	5.122-478.0	Flange	1.000	ST	VERSION 1
44	7.306-204.0	Screw M 3X 10-A2-70 (IN6RD)	4.000	ST	

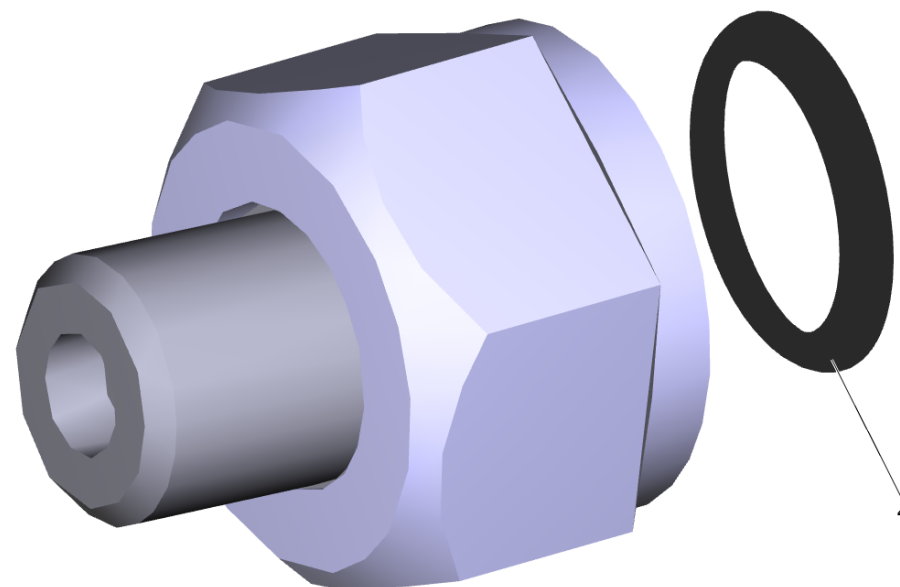
11 Spare part set flange (4.880-002.0)

POS	Article no.	Description	Quantity	Unit
2	7.306-180.0	Screw M5x10-A2-70 (In6Rd)	3.000	ST



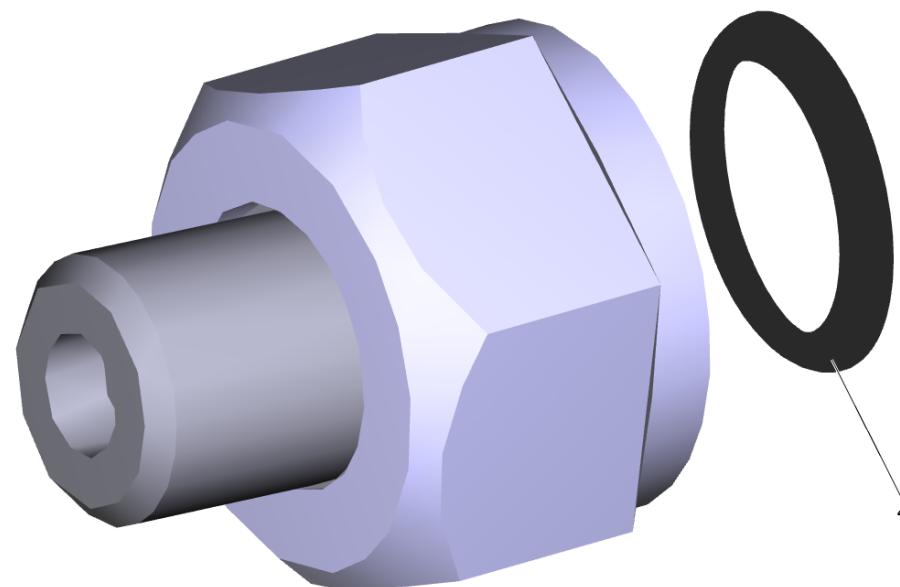
19 Nozzle pack 025 (2.639-187.0)

POS	Article no.	Description	Quantity	Unit
4	2.880-154.0	O-Ring kit	1.000	ST



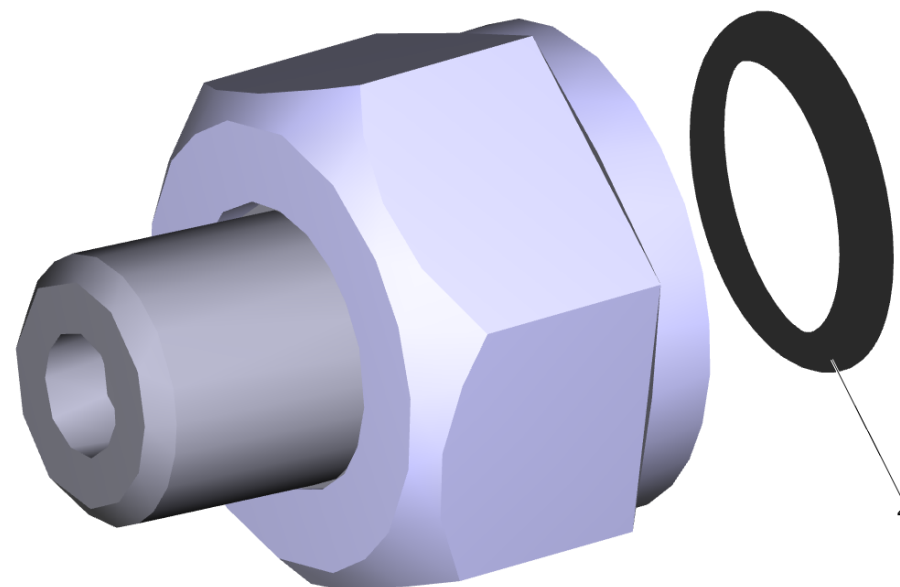
19 Nozzle pack 04-1100-1300 l/h (2.639-188.0)

POS	Article no.	Description	Quantity	Unit
4	7.362-501.0	O-Ring seal 10x2 EPDM 70 DIN 3770	2.000	ST



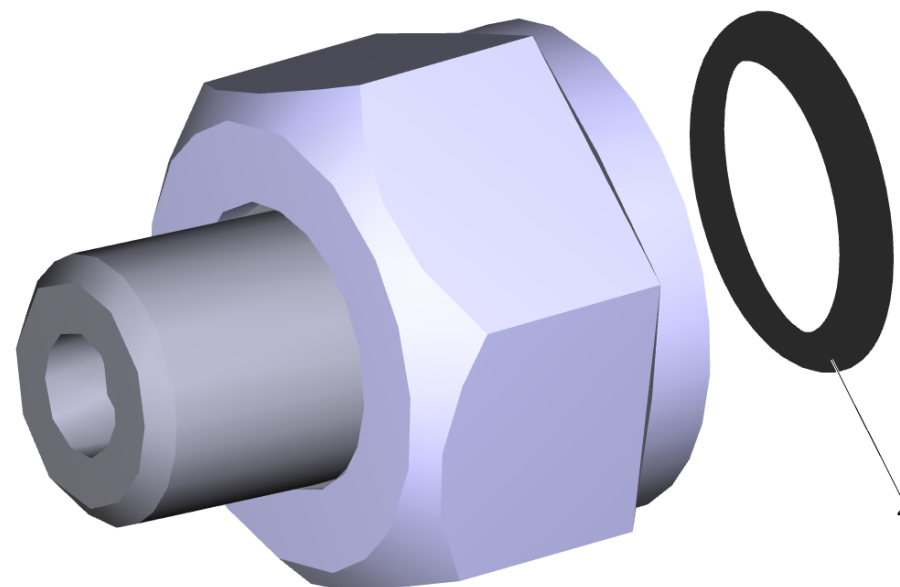
19 Nozzle pack 020-500-650 l/h (2.640-401.0)

POS	Article no.	Description	Quantity	Unit
4	2.880-154.0	O-Ring kit	1.000	ST



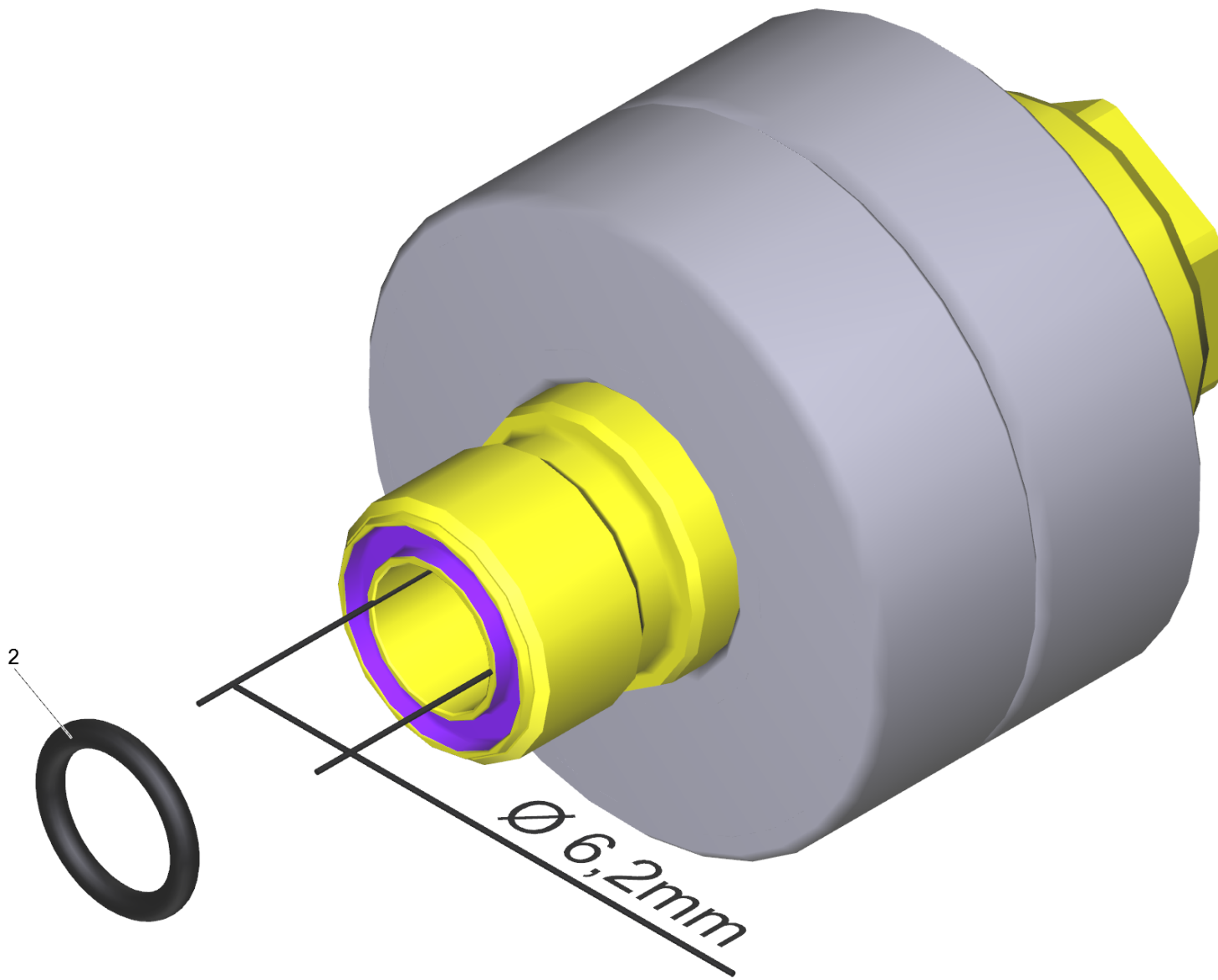
19 Nozzle pack 032 (2.640-442.0)

POS	Article no.	Description	Quantity	Unit
4	7.362-501.0	O-Ring seal 10x2 EPDM 70 DIN 3770	2.000	ST



19 Nozzle pack 018 (2.640-482.0)

POS	Article no.	Description	Quantity	Unit
4	2.880-154.0	O-Ring kit	1.000	ST



23 Bearing complete (4.250-078.0)

POS	Article no.	Description	Quantity	Unit
2	6.362-658.0	O-Ring seal 7 X 1,5-NBR 90	1.000	ST