

Spare parts list (2.642-999.0) FRV 30

Table of contents

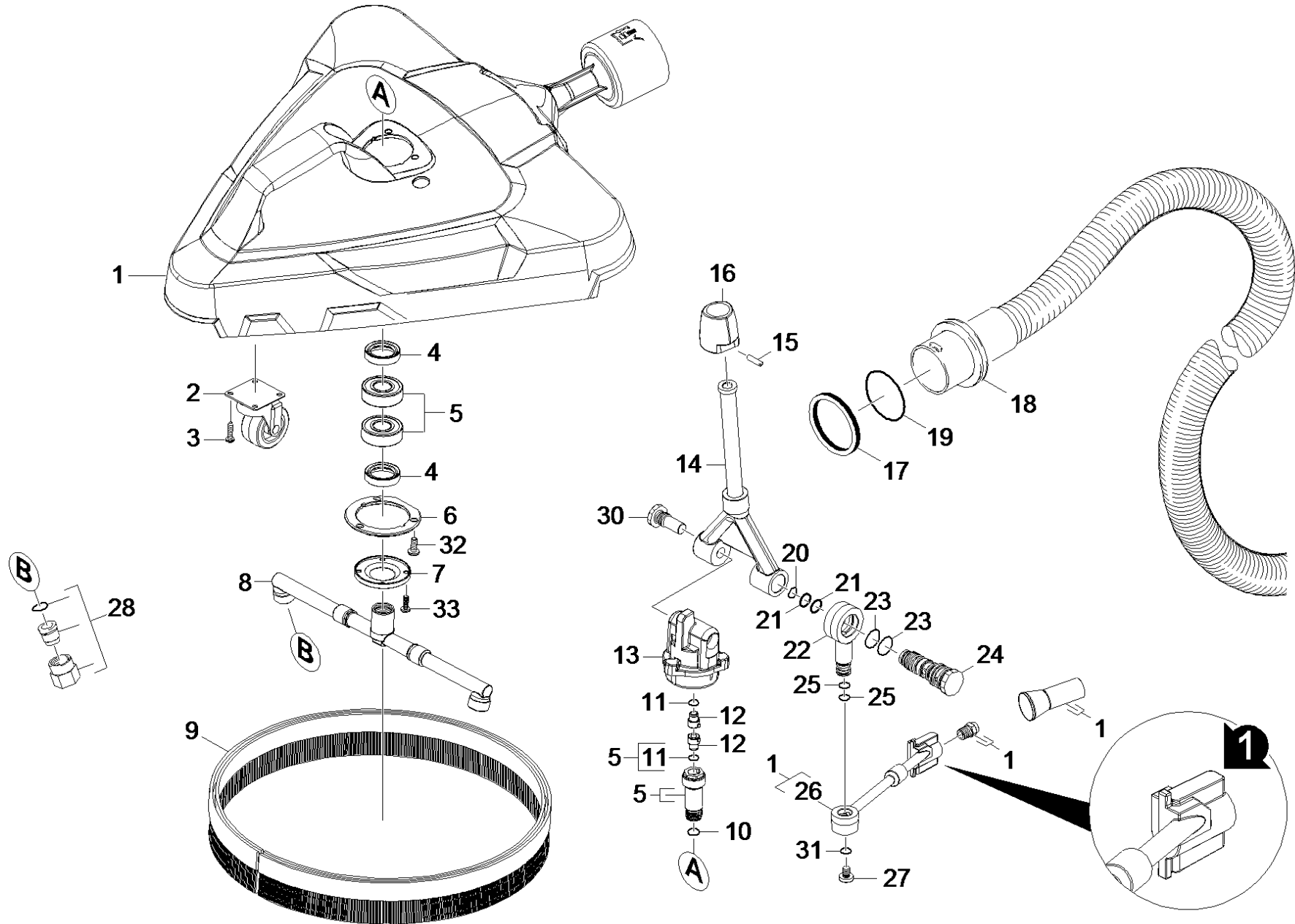
FRV 30 (2.642-999.0)	3
35 Spare parts list Venturion FRV 30 (5.972-035.0)	4
10 Surface cleaner	5
1 Spare part set cover manifold (2.885-373.0)	8
5 Bearing complete (4.250-078.0)	9
18 FRV 30 suction hose DN 32 (4.440-938.0)	11
26 Spare part set cover manifold (2.885-373.0)	13
20 Surface cleaner	14
5 Bearing complete (4.250-078.0)	17
18 FRV 30 suction hose DN 32 (4.440-938.0)	19

FRV 30 (2.642-999.0)

POS	Article no.	Description	Quantity	Unit
35	5.972-035.0	Spare parts list Venturion FRV 30	1.000	ST
Item text2: 3E0012B60D326654E1000000C34F56CF26404370				

35 Spare parts list Venturion FRV 30 (5.972-035.0)

POS	Description	Quantity	Unit	Foot note text
10	Surface cleaner	1.000	ST	VERSION 1
20	Surface cleaner	1.000	ST	VERSION 2



10 Surface cleaner

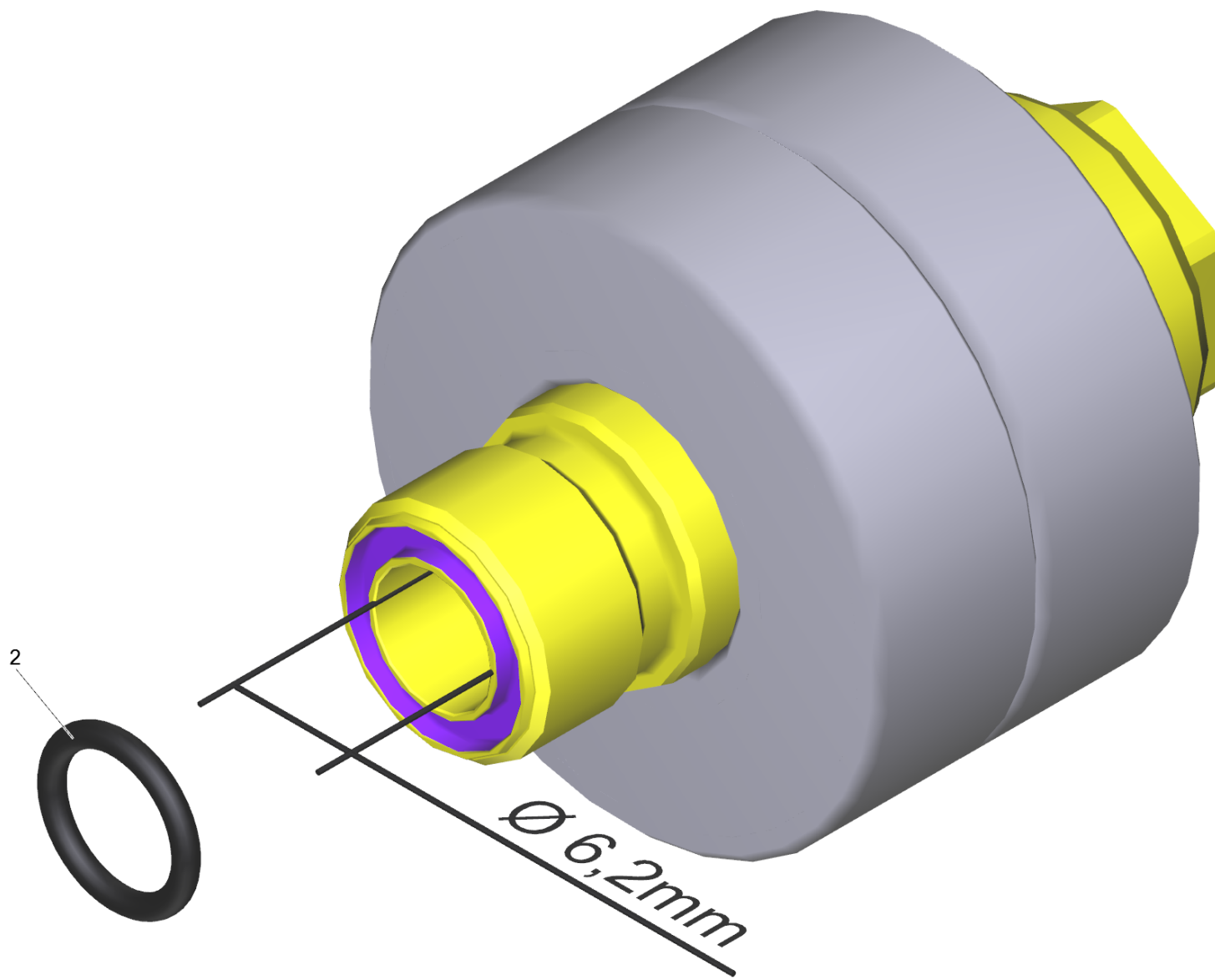
POS	Article no.	Description	Quantity	Unit
1	2.885-373.0	Spare part set cover manifold	1.000	ST
2	6.435-842.0	Castor	3.000	ST
3	7.303-274.0	Screw 5x12 -A2-70 (In6Rd)	12.000	ST
4	7.367-000.0	Radial shaft seal ring A20x30x7-NBR DIN	2.000	ST
5	4.250-078.0	Bearing complete	1.000	ST
6	5.122-003.0	Flange	1.000	ST
7	5.122-443.0	Flange	1.000	ST
8	4.764-205.0	Nozzle holder	1.000	ST
9	6.371-203.0	Brush-corona FRV 30	1.000	ST
10	6.362-388.0	O-Ring seal 8,0x1,5 -EPDM 70	1.000	ST
11	6.362-658.0	O-Ring seal 7 X 1,5-NBR 90	2.000	ST
12	5.111-322.0	Sleeve	2.000	ST
13	5.481-405.0	Base body FR 30	1.000	ST
14	4.802-032.0	Angle joint FR 30	1.000	ST
15	6.343-150.0	Pin 03	1.000	ST
16	5.394-530.0	Protection part complete	1.000	ST
17	6.273-009.0	Joint ring EPDM	1.000	ST
18	4.440-938.0	FRV 30 suction hose DN 32	1.000	ST
19	6.362-979.0	O-Ring 50x2,2 NBR 70	1.000	ST
20	6.363-142.0	O-Ring 10x1.5N BR 90	1.000	ST
21	6.363-280.0	O-Ring seal 12,0 x 2,0-NBR 90	2.000	ST
22	5.427-444.0	Manifold	1.000	ST
23	6.362-524.0	O-Ring seal 17,0 X 1,5	2.000	ST
24	5.100-624.0	Shaft	1.000	ST
25	6.419-059.0	O-Ring seal 9,0 X 1,5 -NBR 70	2.000	ST
26	2.885-373.0	Spare part set cover manifold	1.000	ST
27	7.306-190.0	Screw M6x8 -A2-70 (In6Rd)	1.000	ST
28	2.642-430.0	Nozzle pack 035	1.000	ST
28	2.642-433.0	Nozzle pack 050	1.000	ST
28	2.642-982.0	Nozzle pack 080	1.000	ST
28	2.642-431.0	Nozzle pack 040	1.000	ST
28	2.642-432.0	Nozzle pack 045	1.000	ST
30	5.100-501.0	Shaft	1.000	ST

10 Surface cleaner

POS	Article no.	Description	Quantity	Unit
31	6.362-703.0	O-Ring seal 6,0x1,5-NBR 70	1.000	ST
32	7.306-181.0	Screw M 5x 12-A2-70 (In6Rd)	3.000	ST
33	7.306-204.0	Screw M 3X 10-A2-70 (IN6RD)	4.000	ST

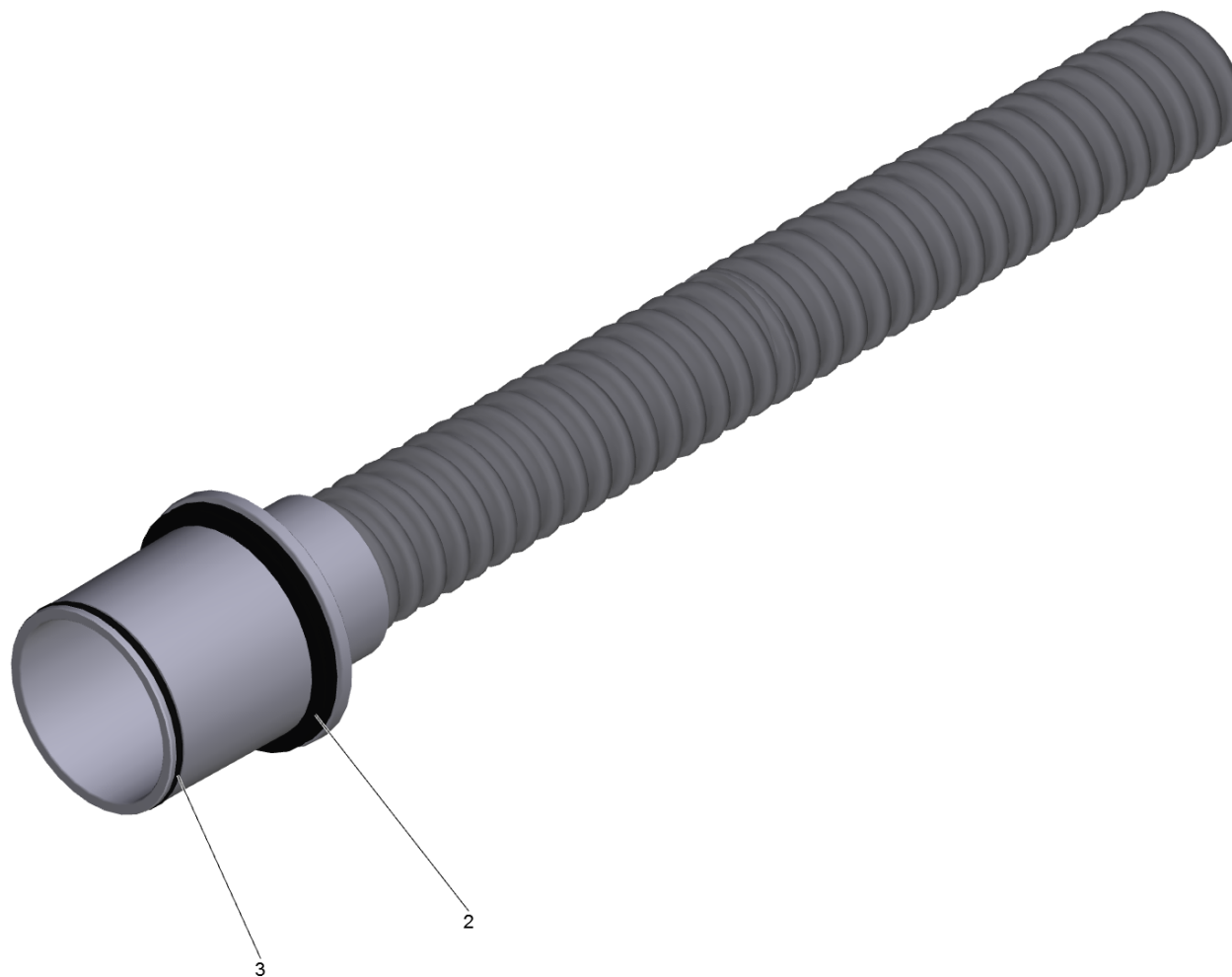
1 Spare part set cover manifold (2.885-373.0)

POS	Article no.	Description	Quantity	Unit
1	4.427-364.0	Manifold complete	1.000	ST
2	5.062-448.0	Cover FRV 30	1.000	ST
3	5.111-376.0	Sleeve FRV	1.000	ST



5 Bearing complete (4.250-078.0)

POS	Article no.	Description	Quantity	Unit
2	6.362-658.0	O-Ring seal 7 X 1,5-NBR 90	1.000	ST

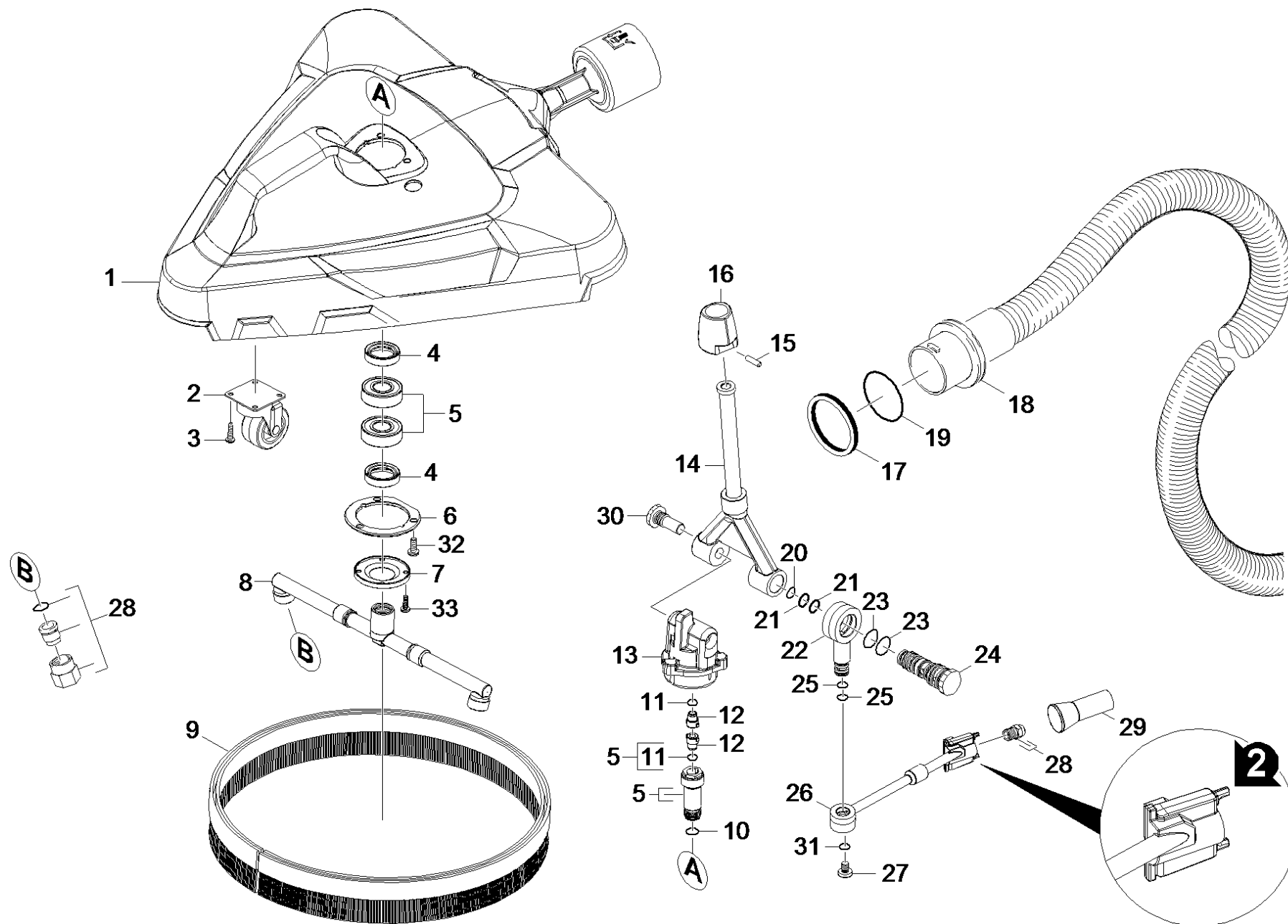


18 FRV 30 suction hose DN 32 (4.440-938.0)

POS	Article no.	Description	Quantity	Unit
2	6.273-009.0	Joint ring EPDM	1.000	ST
3	6.363-340.0	O-Ring 50 x 2,2 NBR 80	1.000	ST

26 Spare part set cover manifold (2.885-373.0)

POS	Article no.	Description	Quantity	Unit
1	4.427-364.0	Manifold complete	1.000	ST
2	5.062-448.0	Cover FRV 30	1.000	ST
3	5.111-376.0	Sleeve FRV	1.000	ST

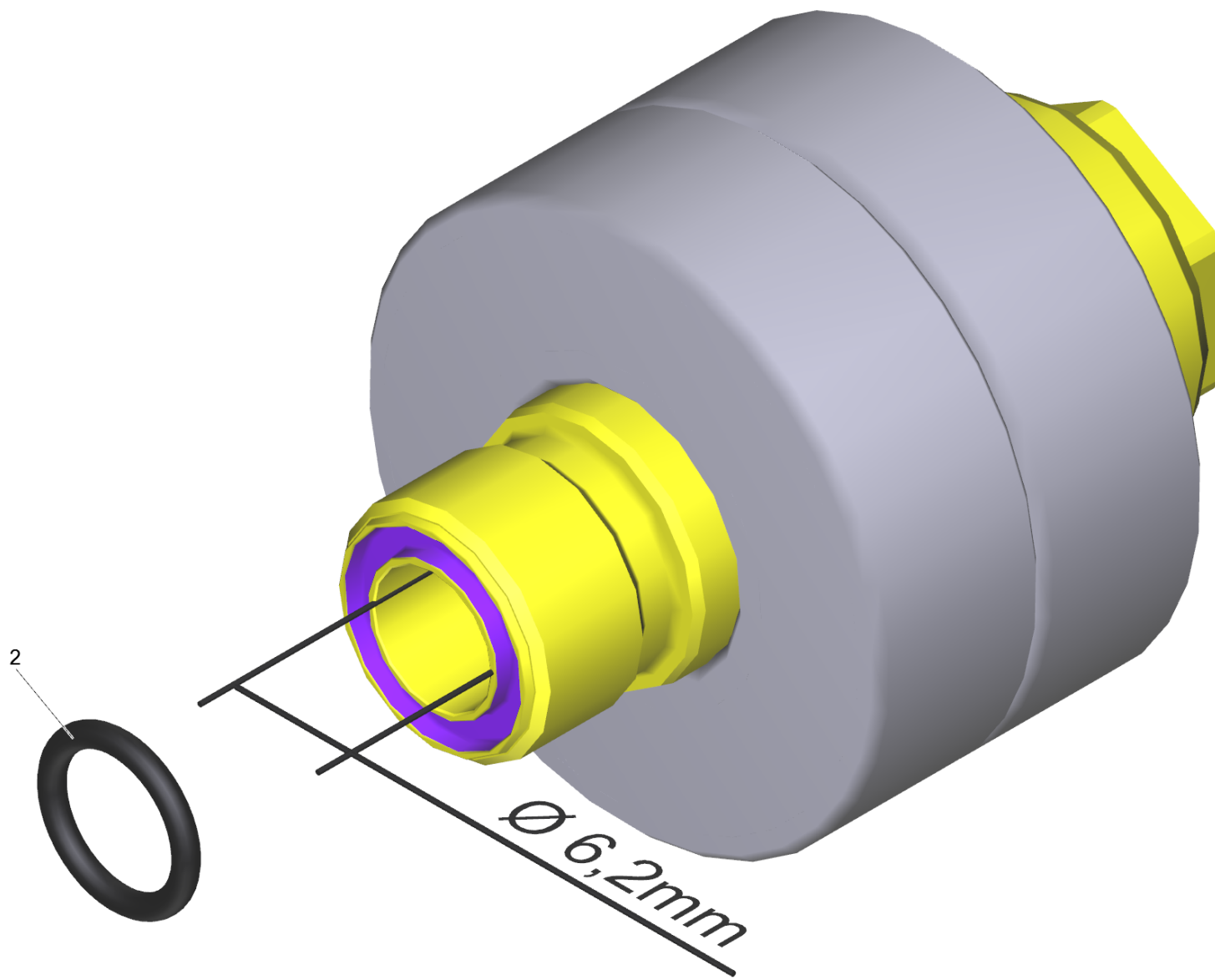


20 Surface cleaner

POS	Article no.	Description	Quantity	Unit
1	5.062-448.0	Cover FRV 30	1.000	ST
2	6.435-842.0	Castor	3.000	ST
3	7.303-274.0	Screw 5x12 -A2-70 (In6Rd)	12.000	ST
4	7.367-000.0	Radial shaft seal ring A20x30x7-NBR DIN	2.000	ST
5	4.250-078.0	Bearing complete	1.000	ST
6	5.122-003.0	Flange	1.000	ST
7	5.122-443.0	Flange	1.000	ST
8	4.764-205.0	Nozzle holder	1.000	ST
9	6.371-203.0	Brush-corona FRV 30	1.000	ST
10	6.362-388.0	O-Ring seal 8,0x1,5 -EPDM 70	1.000	ST
11	6.362-658.0	O-Ring seal 7 X 1,5-NBR 90	2.000	ST
12	5.111-322.0	Sleeve	2.000	ST
13	5.481-405.0	Base body FR 30	1.000	ST
14	4.802-032.0	Angle joint FR 30	1.000	ST
15	6.343-150.0	Pin 03	1.000	ST
16	5.394-530.0	Protection part complete	1.000	ST
17	6.273-009.0	Joint ring EPDM	1.000	ST
18	4.440-938.0	FRV 30 suction hose DN 32	1.000	ST
19	6.362-979.0	O-Ring 50x2,2 NBR 70	1.000	ST
20	6.363-142.0	O-Ring 10x1.5N BR 90	1.000	ST
21	6.363-280.0	O-Ring seal 12,0 x 2,0-NBR 90	2.000	ST
22	4.427-364.0	Manifold complete	1.000	ST
23	6.362-524.0	O-Ring seal 17,0 X 1,5	2.000	ST
24	5.100-624.0	Shaft	1.000	ST
25	6.419-059.0	O-Ring seal 9,0 X 1,5 -NBR 70	2.000	ST
26	4.427-364.0	Manifold complete	1.000	ST
27	7.306-190.0	Screw M6x8 -A2-70 (In6Rd)	1.000	ST
28	2.642-982.0	Nozzle pack 080	1.000	ST
28	2.642-433.0	Nozzle pack 050	1.000	ST
28	2.642-430.0	Nozzle pack 035	1.000	ST
28	2.642-432.0	Nozzle pack 045	1.000	ST
28	2.642-431.0	Nozzle pack 040	1.000	ST
29	5.111-376.0	Sleeve FRV	1.000	ST

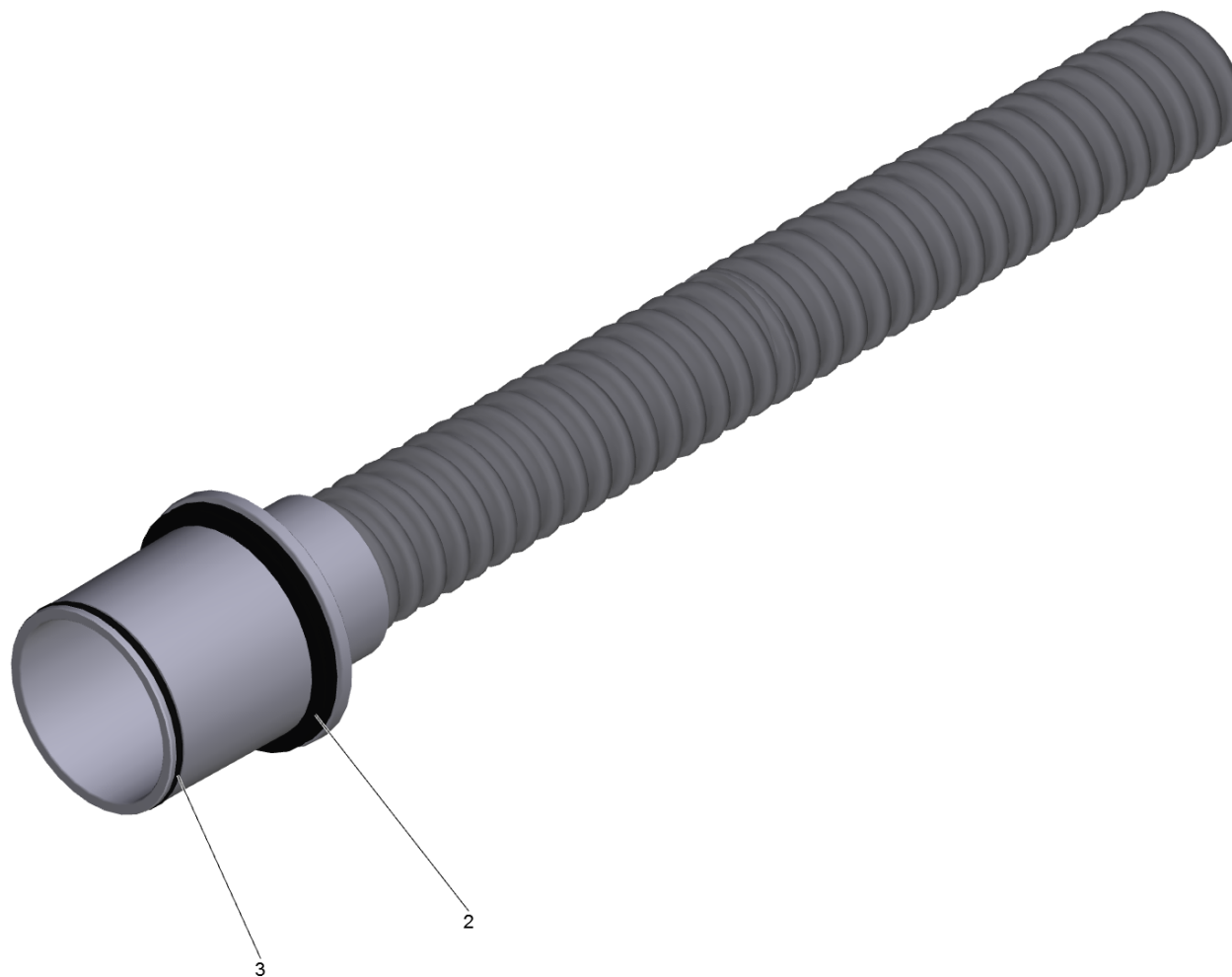
20 Surface cleaner

POS	Article no.	Description	Quantity	Unit
30	5.100-501.0	Shaft	1.000	ST
31	6.362-703.0	O-Ring seal 6,0x1,5-NBR 70	1.000	ST
32	7.306-181.0	Screw M 5x 12-A2-70 (In6Rd)	3.000	ST
33	7.306-204.0	Screw M 3X 10-A2-70 (IN6RD)	4.000	ST



5 Bearing complete (4.250-078.0)

POS	Article no.	Description	Quantity	Unit
2	6.362-658.0	O-Ring seal 7 X 1,5-NBR 90	1.000	ST



18 FRV 30 suction hose DN 32 (4.440-938.0)

POS	Article no.	Description	Quantity	Unit
2	6.273-009.0	Joint ring EPDM	1.000	ST
3	6.363-340.0	O-Ring 50 x 2,2 NBR 80	1.000	ST