

## **Spare parts list**

(2.643-598.0) FRV 50 ME

## Table of contents

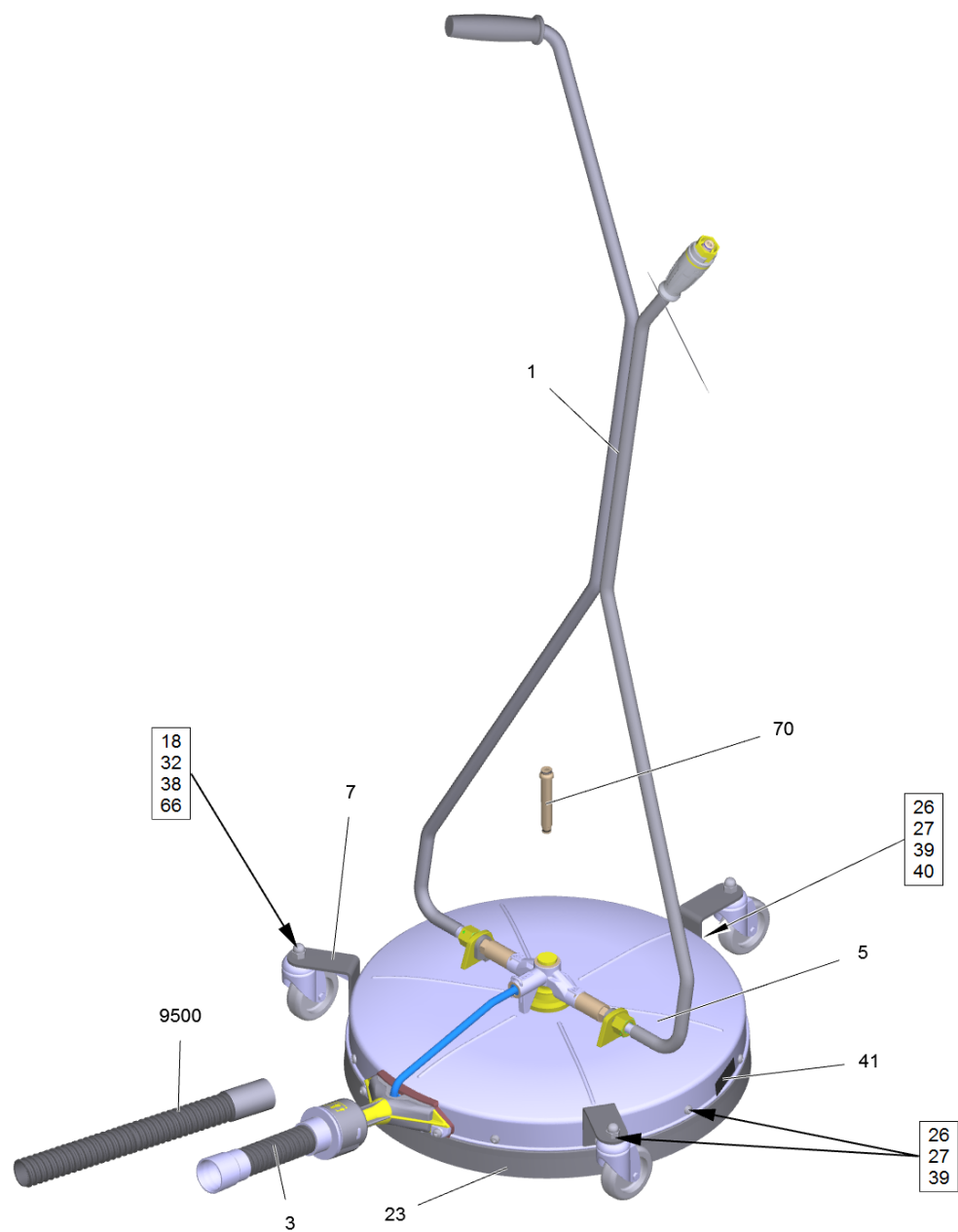
---

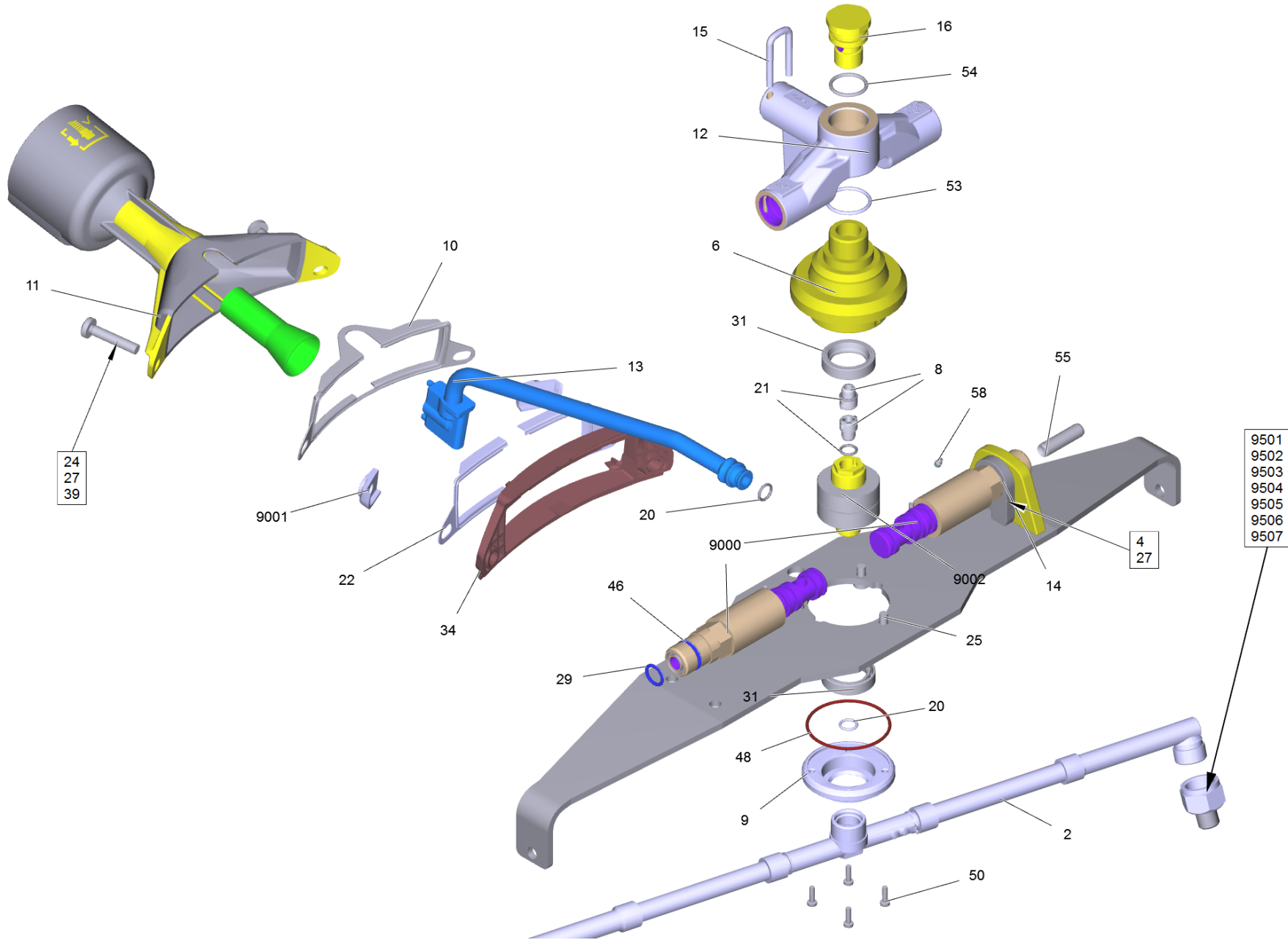
FRV 50 ME (2.643-598.0)	3
Spare parts list FRV 50 me (5.973-819.0)	4
1 Handhold complete (4.321-366.0)	8
70 Accessories FRV50me (4.862-037.0)	10
1 Nipple complete (4.443-034.3)	12
100 Suction hose FRV50me (4.441-078.3)	14
9000 Spare part set shaft (2.884-340.0)	15
9002 Bearing complete only for replacement (4.250-000.0)	17

FRV 50 ME (2.643-598.0)

---

<b>POS</b>	<b>Article no.</b>	<b>Description</b>	<b>Quantity</b>	<b>Unit</b>
0		PAIS FRV 30 / FRV 30 ME / FRV 50 ME	1.000	ST
0	5.973-819.0	Spare parts list FRV 50 me	1.000	ST



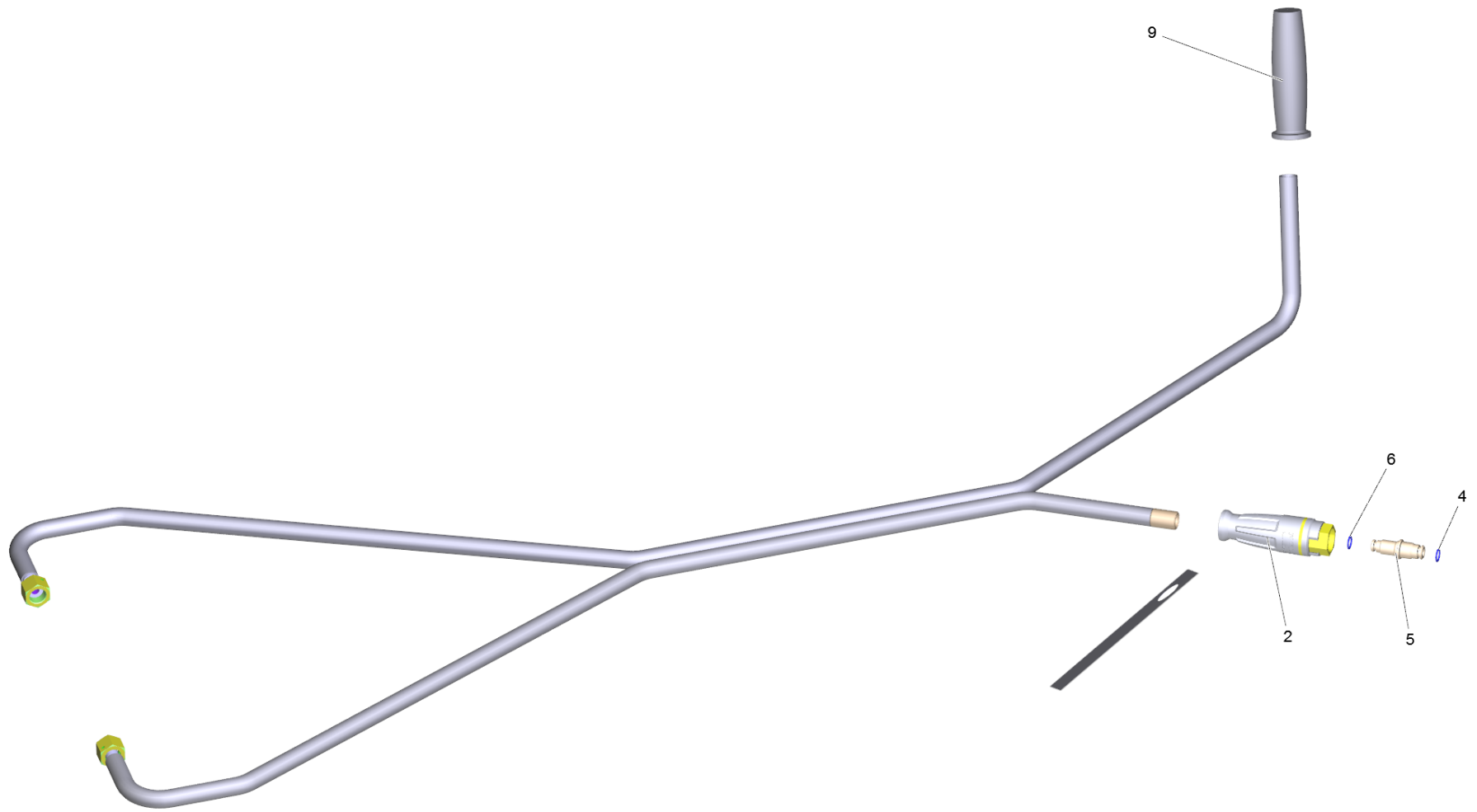


## Spare parts list FRV 50 me (5.973-819.0)

POS	Article no.	Description	Quantity	Unit
1	4.321-366.0	Handhold complete	1.000	ST
2	4.764-076.0	Nozzle holder	1.000	ST
3	5.058-415.0	Cover FRV50me	1.000	ST
4	5.006-828.0	Holder	2.000	ST
5	4.007-170.0	Sheet steel angle castor	1.000	ST
6	5.108-267.0	Turned part	1.000	ST
8	5.111-322.0	Sleeve	2.000	ST
9	5.122-443.0	Flange	1.000	ST
10	5.363-011.0	Seal	1.000	ST
11	5.033-873.0	Moulded part diffusor	1.000	ST
12	5.481-045.0	Manifold FRV 50 me	1.000	ST
13	4.427-017.0	Manifold complete	1.000	ST
14	5.317-124.0	Stop	2.000	ST
15	5.037-109.0	HOOK	1.000	ST
16	5.108-011.3	Turned part FRV50me	1.000	ST
17	6.288-044.0	Silicon grease 100 G	1.000	ST
18	6.435-721.0	Castor D60	3.000	ST
19	6.869-072.0	Metal bonding agent	0.001	ZST
20	6.362-388.0	O-Ring seal 8,0x1,5 -EPDM 70	2.000	ST
21	6.362-658.0	O-Ring seal 7 X 1,5-NBR 90	2.000	ST
22	5.363-231.3	Seal tailored	1.000	ST
23	6.371-011.3	Brush FRV 50 Me	1.000	ST
24	7.306-196.0	Screw M 6x30-A2-70 (IN6RD)	2.000	ST
25	7.306-180.0	Screw M5x10-A2-70 (In6Rd)	3.000	ST
26	7.306-192.0	Screw M 6x 12-A2-70 (In6Rd)	16.000	ST
27	7.311-128.0	Hexagon nut M6 -A4 DIN 985	17.000	ST
29	7.362-501.0	O-Ring seal 10x2 EPDM 70 DIN 3770	1.000	ST
31	7.367-000.0	Radial shaft seal ring A20x30x7-NBR DIN	2.000	ST
32	7.311-402.0	Cap nut M10-A1-50 DIN 1587	3.000	ST
34	5.363-197.0	Connection piece FRV 50 Me	1.000	ST
38	7.306-234.0	Cylinder head screw M10x20-A4-70 ISO 47	3.000	ST
39	7.312-026.0	Washer 6 -A2 ISO 7089	17.000	ST
40	7.312-292.0	Washer 6 -A2 ISO 7093-1	1.000	ST

## Spare parts list FRV 50 me (5.973-819.0)

POS	Article no.	Description	Quantity	Unit
41	5.391-167.0	Adhesive label	1.000	ST
46	6.362-883.0	O-Ring seal 18,0 X 2,5-EPDM	2.000	ST
48	6.362-475.0	O-Ring seal 44,17X 1,78-NBR 70	1.000	ST
50	7.306-204.0	Screw M 3X 10-A2-70 (IN6RD)	4.000	ST
53	6.363-612.0	O-Ring seal 22 x 2 -NBR90	1.000	ST
54	6.362-534.0	O-Ring seal 18,0 X 2,0-NBR 70	1.000	ST
55	7.314-359.0	Straight pin 8x30-A -St ISO 8734	1.000	ST
58	7.307-304.0	Threaded pin M4x6 -A2-21H ISO 4028	2.000	ST
66	7.312-066.0	Washer 10 -A2 ISO 7089	3.000	ST
70	4.862-037.0	Accessories FRV50me	1.000	ST
100	4.441-078.3	Suction hose FRV50me	1.000	ST
9000	2.884-340.0	Spare part set shaft	1.000	ST
9001	2.884-341.0	Spare part set wedge	1.000	ST
9002	4.250-000.0	Bearing complete only for replacement	1.000	ST
9500	4.441-040.0	Suction hose extended FRV Metall	1.000	ST
9501	2.642-430.0	Nozzle pack 035	1.000	ST
9502	2.642-431.0	Nozzle pack 040	1.000	ST
9503	2.642-432.0	Nozzle pack 045	1.000	ST
9504	2.642-433.0	Nozzle pack 050	1.000	ST
9505	2.642-982.0	Nozzle pack 080	1.000	ST
9506	2.643-769.0	Nozzle pack 100	1.000	ST
9507	2.643-768.0	Nozzle pack 126	1.000	ST

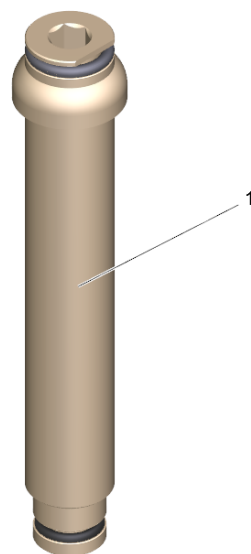




## 1 Handhold complete (4.321-366.0)

---

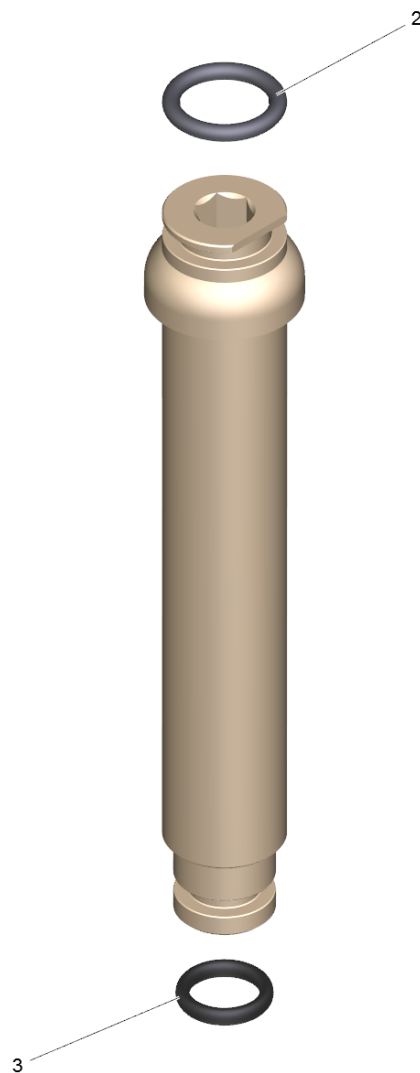
<b>POS</b>	<b>Article no.</b>	<b>Description</b>	<b>Quantity</b>	<b>Unit</b>
2	2.884-342.0	Spare part set protection part	1.000	ST
4	7.362-501.0	O-Ring seal 10x2 EPDM 70 DIN 3770	1.000	ST
5	5.108-293.0	Nipple	1.000	ST
6	6.362-690.0	O-Ring seal 7x2 - NBR 70	1.000	ST
9	5.321-000.0	Handhold	1.000	ST



70 Accessories FRV50me (4.862-037.0)

---

<b>POS</b>	<b>Article no.</b>	<b>Description</b>	<b>Quantity</b>	<b>Unit</b>
1	4.443-034.3	Nipple complete	1.000	ST
2	6.371-223.0	Velcro strip	1.000	M
7	7.815-132.0	Cranked wrench key 6,0-St ISO 2936	1.000	ST



1 Nipple complete (4.443-034.3)

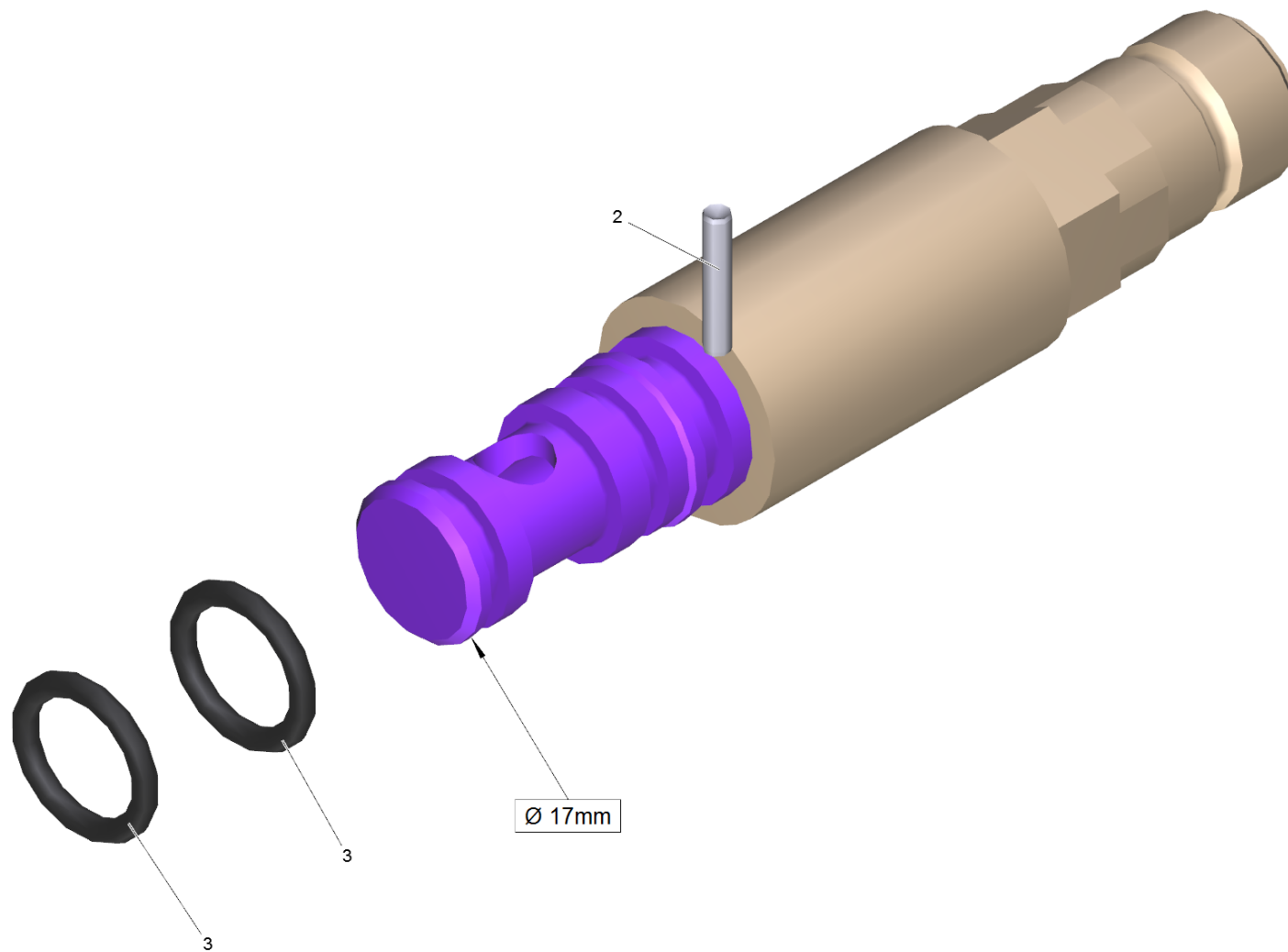
---

<b>POS</b>	<b>Article no.</b>	<b>Description</b>	<b>Quantity</b>	<b>Unit</b>
2	7.362-501.0	O-Ring seal 10x2 EPDM 70 DIN 3770	1.000	ST
3	6.362-690.0	O-Ring seal 7x2 - NBR 70	1.000	ST

100 Suction hose FRV50me (4.441-078.3)

---

<b>POS</b>	<b>Article no.</b>	<b>Description</b>	<b>Quantity</b>	<b>Unit</b>
3	6.273-009.0	Joint ring EPDM	1.000	ST
4	6.363-340.0	O-Ring 50 x 2,2 NBR 80	1.000	ST

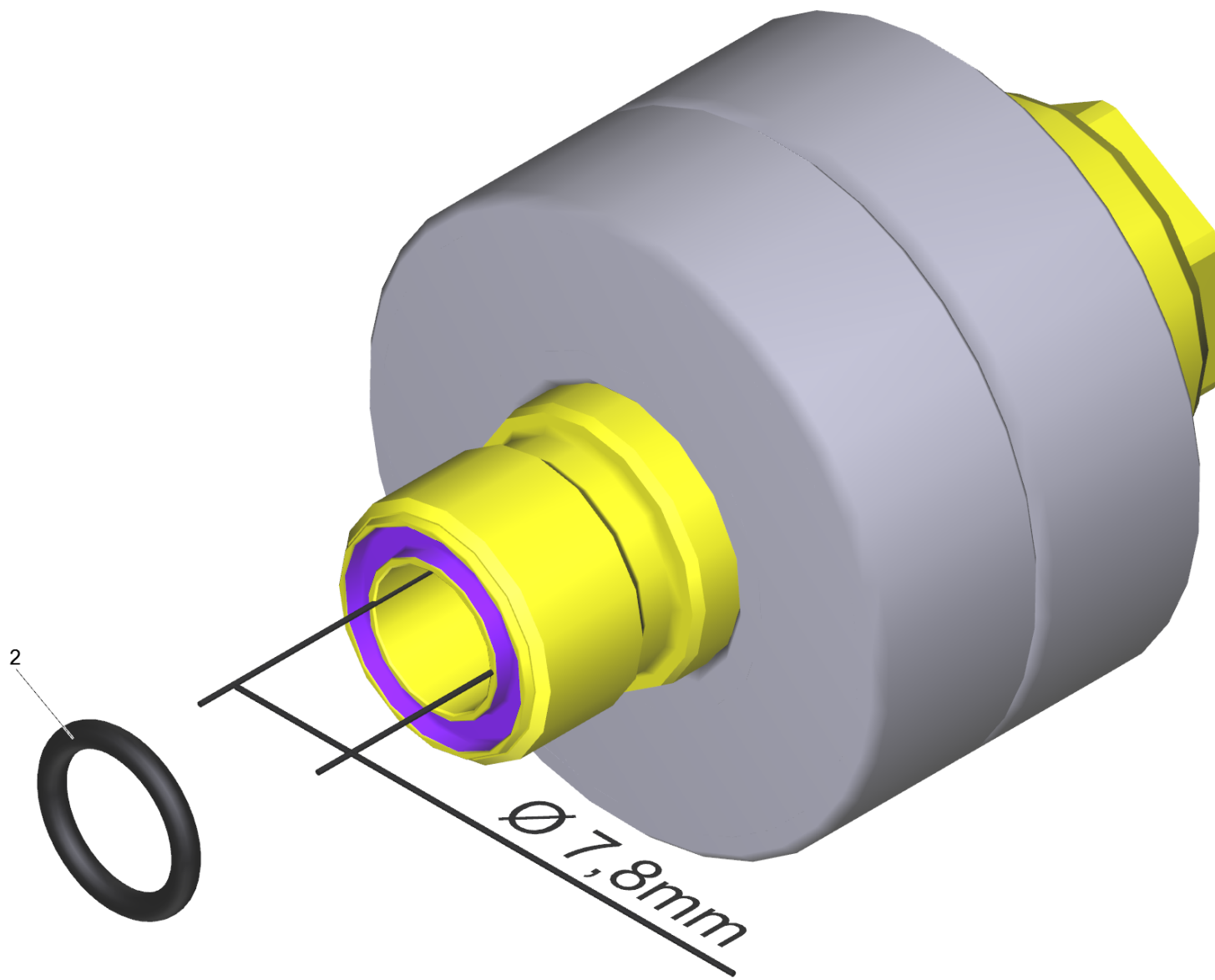


9000 Spare part set shaft (2.884-340.0)

---

<b>POS</b>	<b>Article no.</b>	<b>Description</b>	<b>Quantity</b>	<b>Unit</b>
2	7.314-374.0	Straight pin 3x16-A-St ISO 8734	1.000	ST
3	6.363-280.0	O-Ring seal 12,0 x 2,0-NBR 90	2.000	ST





9002 Bearing complete only for replacement (4.250-000.0)

---

<b>POS</b>	<b>Article no.</b>	<b>Description</b>	<b>Quantity</b>	<b>Unit</b>
2	6.362-658.0	O-Ring seal 7 X 1,5-NBR 90	1.000	ST

---