

Spare parts list

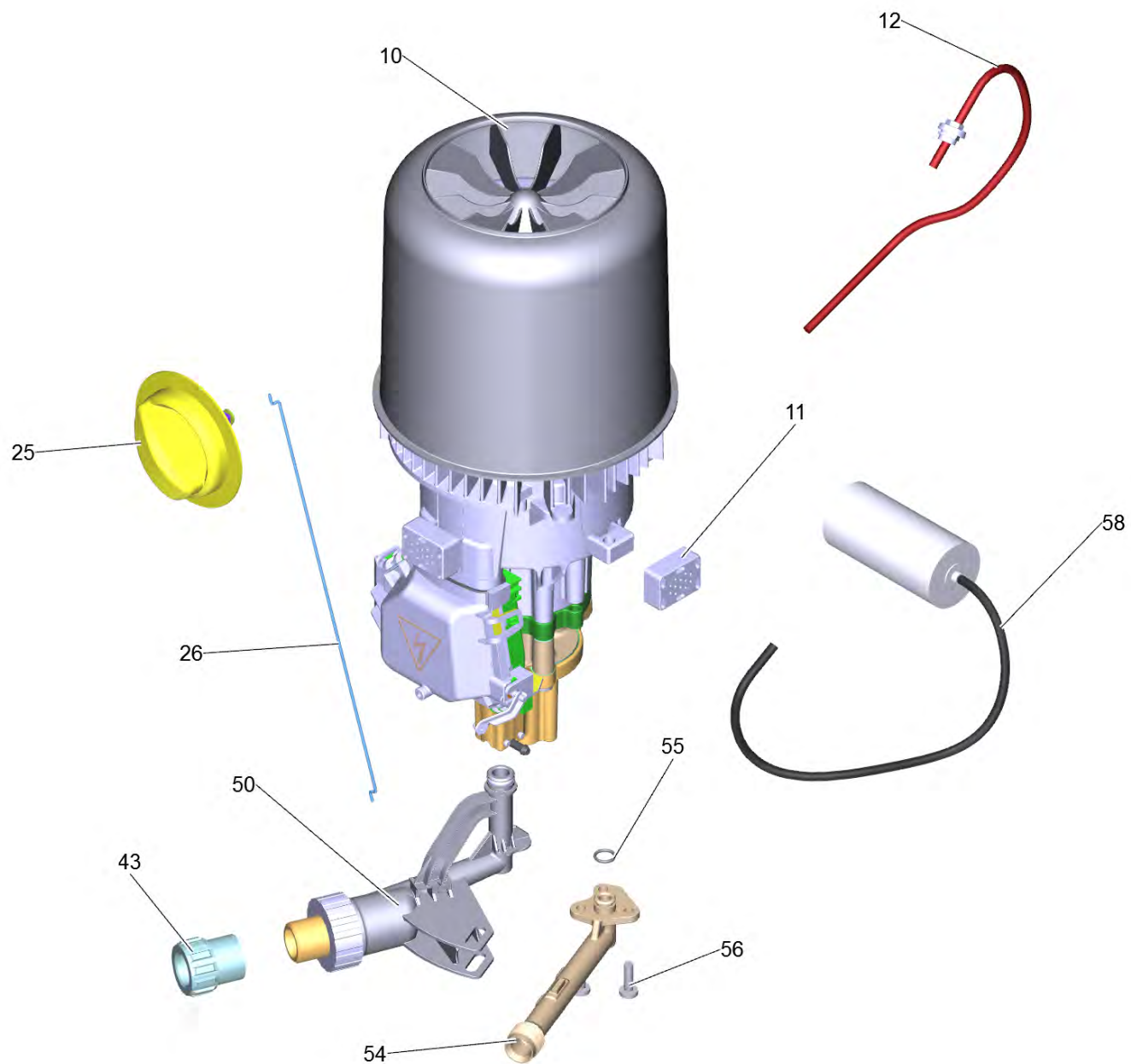
(1.520-916.0) HD 1.8/13 C Ed

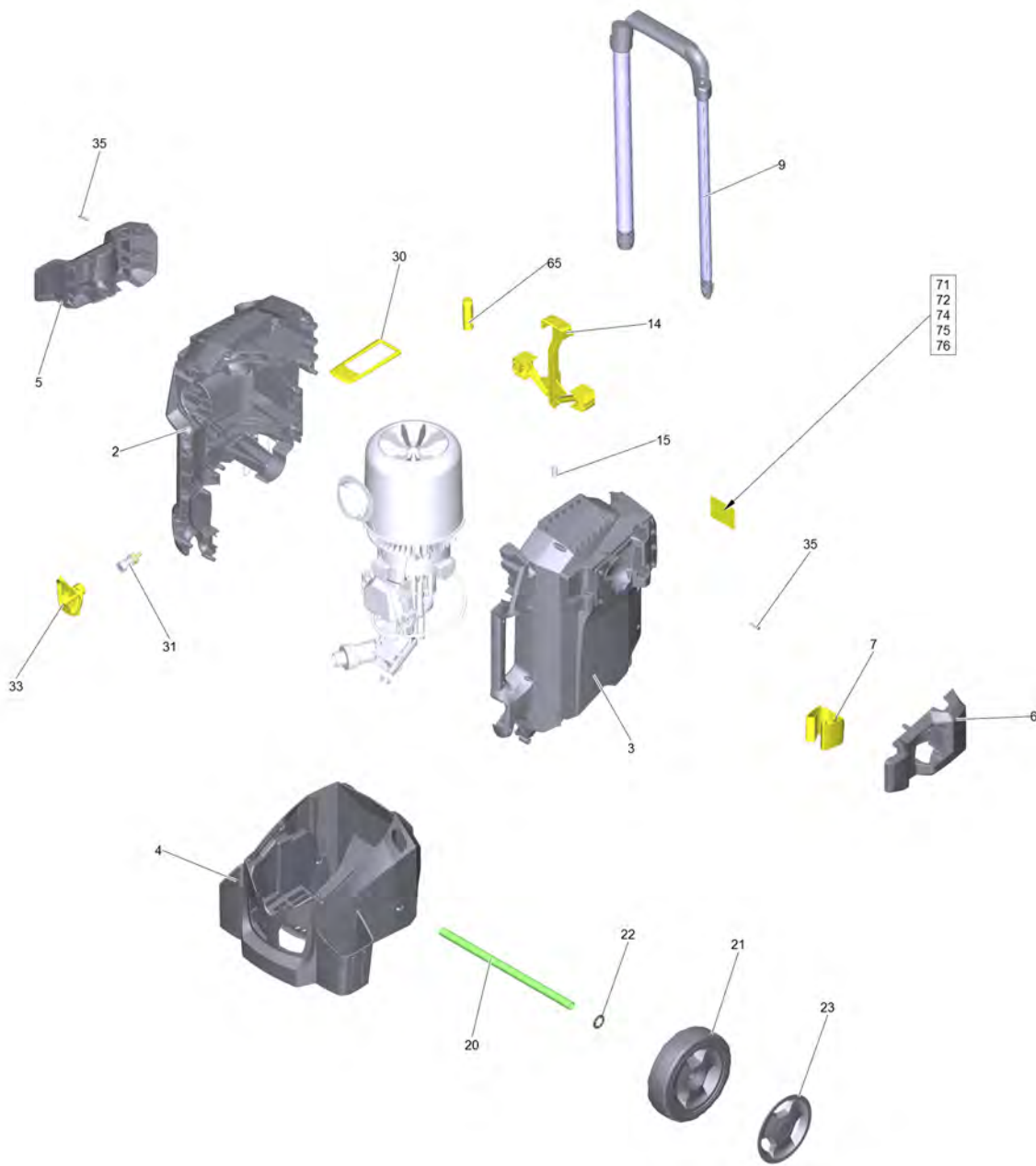
Table of contents

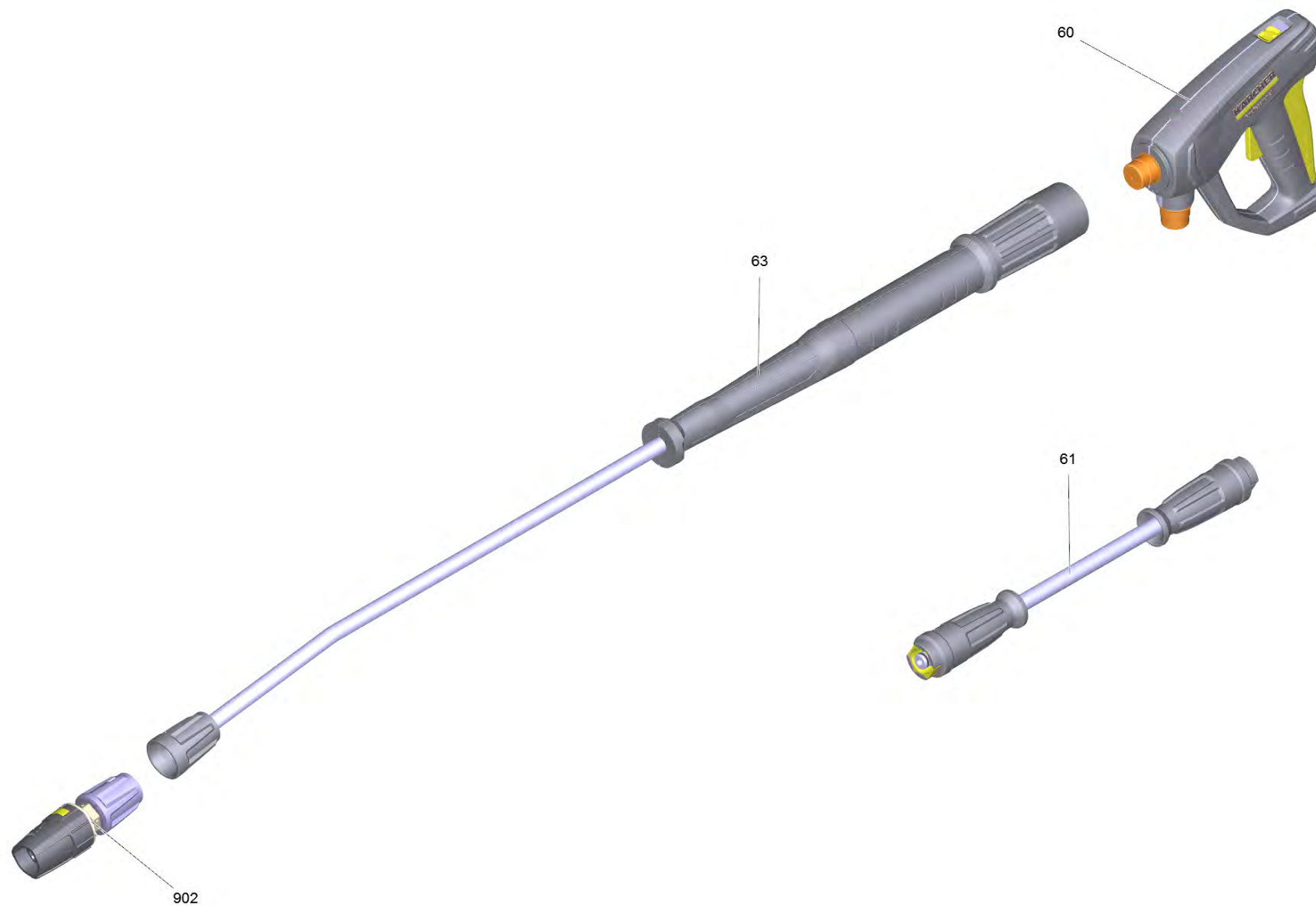
HD 1.8/13 C Ed (1.520-916.0)	3
Spare parts list high-pressure 1.8/13 C (5.974-216.0)	4
9 Handhold complete	9
10 Pump set HD 5/12 C *Ed / *CA	11
50 Transmission 1.8/13 Ed	13
999 Motor replacement (4.624-272.0)	15
51 Pump head high-pressure 5/12 KAP	17
100 Pump set HDC (2.885-377.0)	19
11 Valve pin complete (4.584-022.0)	21
101 Piston guidance	23
999 Piston guidance for replacement (2.060-000.0)	25
102 Cylinder head complete brass (4.550-942.0)	27
103 Control piston complete replacement (2.885-408.0)	29
104 Valve pin complete (4.584-022.0)	31
105 Plug complete (4.580-702.0)	33
114 Nozzle insert (4.769-035.0)	35
53 Electric box complete HD-C *Ed	37
999 Tool (2.901-048.0)	39
31 Filter with hose RM 1,05	41
43 Screw connector part (4.401-059.0)	43
50 Water intake complete	45
60 EASY!Force Advanced (4.118-005.0)	47
1 Hand trigger gun TR EH 155	48
9000 Spare part set lever (2.885-483.0)	50
61 Hose assembly TR DN6 25MPa 10m (6.110-034.0)	52
63 Jet pipe TR 840 mm (4.112-006.0)	54
1 Jet pipe TR 840 mm	55
902 Triple jet nozzle TR 032 (4.117-027.0)	57
1 Triple jet nozzle TR 032	58
50 Short spare parts list	60

HD 1.8/13 C Ed (1.520-916.0)

POS	Article no.	Description	Quantity	Unit
0	5.974-216.0	Spare parts list high-pressure 1.8/13 C	1.000	ST
50		Short spare parts list	1.000	ST







Spare parts list high-pressure 1.8/13 C (5.974-216.0)

POS	Article no.	Description	Quantity	Unit	Remark
2	5.646-048.3	Housing left for replacement	1.000	ST	
3	5.646-049.3	Housing right for replacement	1.000	ST	
4	5.645-654.0	Housing bottom	1.000	ST	
5	5.646-025.0	Holder left	1.000	ST	
6	5.646-024.0	Holder right	1.000	ST	
7	5.645-938.0	Holder jet pipe	1.000	ST	
9		Handhold complete	1.000	ST	
10		Pump set HD 5/12 C *Ed / *CA	1.000	ST	
11	5.767-029.0	Rubber buffer	4.000	ST	
12	6.650-398.0	Cable with plug *Ed	1.000	ST	
14	5.645-675.0	Locking part	1.000	ST	
15	5.332-001.0	Helical spring	1.000	ST	
20	5.105-399.0	Axle	1.000	ST	
21	5.515-395.0	Wheel D180	2.000	ST	
22	6.343-168.0	Lock washer	2.000	ST	
23	5.515-386.0	Wheel cap large RAL 7012	2.000	ST	
25	4.324-057.0	Handle complete	1.000	ST	
26	5.107-313.0	Switch rod	1.000	ST	
30	5.379-043.0	Strap	1.000	ST	
31		Filter with hose RM 1,05	1.000	ST	
33	5.645-841.0	Cover cleaning agents	1.000	ST	
35	6.303-566.0	Screw 4,2x22 R2R	24.000	ST	
43	4.401-059.0	Screw connector part	1.000	ST	
50		Water intake complete	1.000	ST	
54	5.789-071.3	High-pressure outlet packaged for replac	1.000	ST	
55	6.362-151.0	O-Ring d. 10 x 2 NBR 70	1.000	ST	
56	7.306-092.0	Screw M6x20-ST- 8.8-R3R (IN6RD)	2.000	ST	
58	6.661-003.0	Capacitor 70 µF mit Kabel *CA *Ed	1.000	ST	
60	4.118-005.0	EASY!Force Advanced	1.000	ST	
61	6.110-034.0	Hose assembly TR DN6 25MPa 10m	1.000	ST	
63	4.112-006.0	Jet pipe TR 840 mm	1.000	ST	
65	5.646-026.0	Retainer accessories	1.000	ST	
71	5.386-818.0	Label	1.000	ST	DO NOT SPRAY AT PERSONS

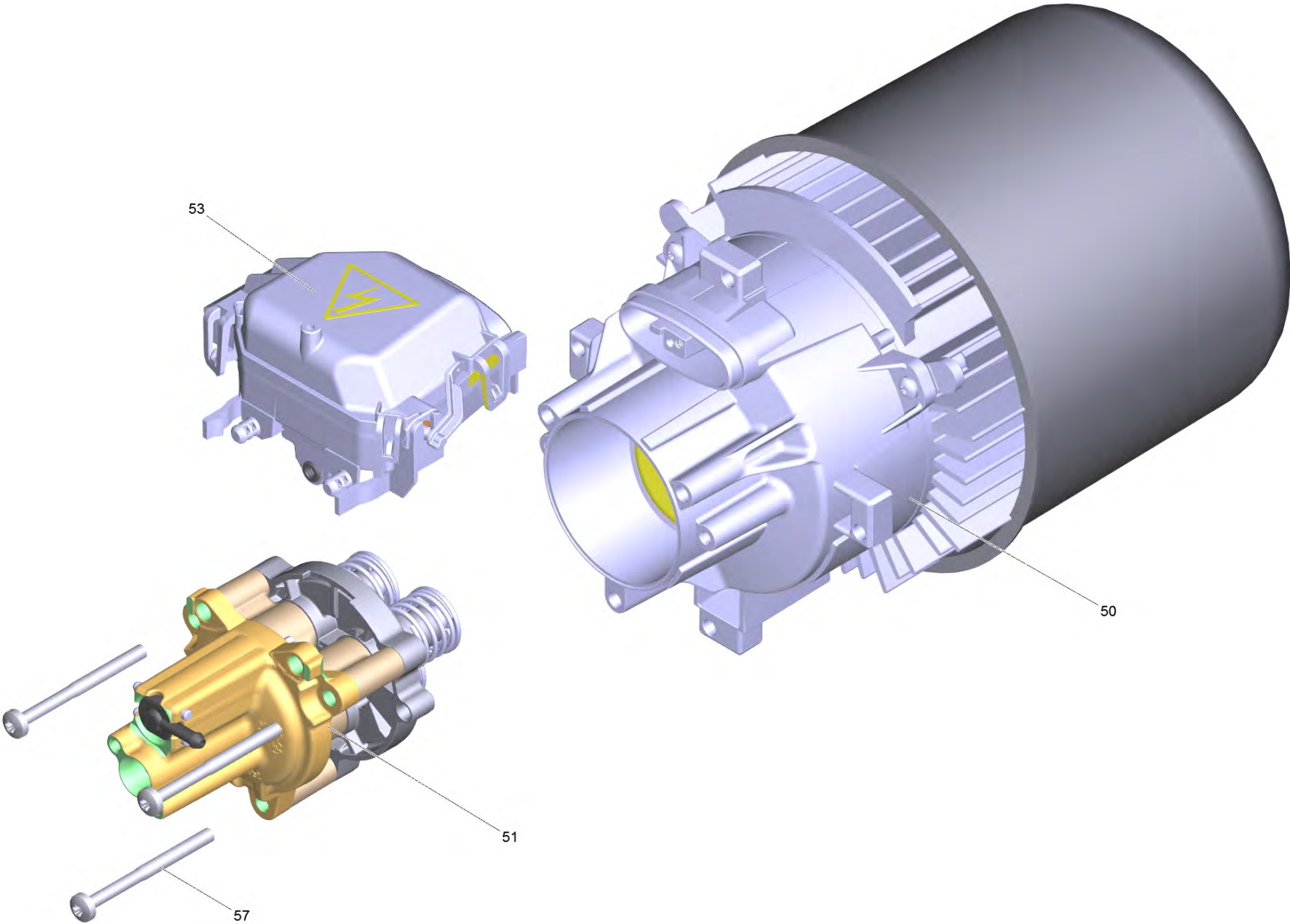
Spare parts list high-pressure 1.8/13 C (5.974-216.0)

POS	Article no.	Description	Quantity	Unit	Remark
72	5.388-091.0	Warning sign	1.000	ST	WARNING SIGN
74	5.386-349.0	Label	1.000	ST	KEEP FROM FREEZING
75	5.386-350.0	Label	1.000	ST	KAERCHER LABEL
76	5.391-816.0	Warning sign - safety instructions -	1.000	ST	IMPORTANT SAFETY INSTRUCTIONS
902	4.117-027.0	Triple jet nozzle TR 032	1.000	ST	



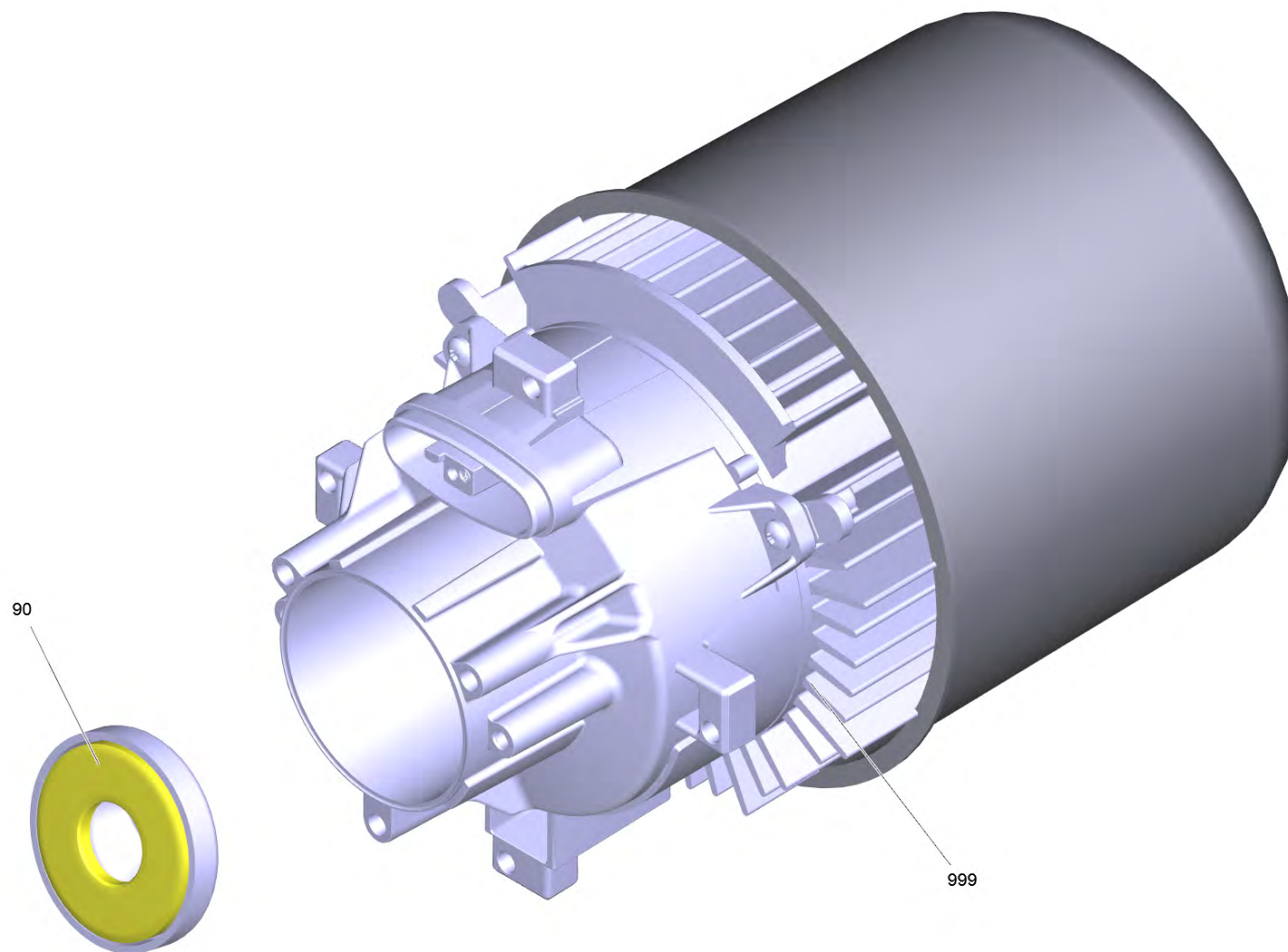
9 Handhold complete

POS	Article no.	Description	Quantity	Unit
1	5.324-161.0	Hand grip	1.000	ST
2	5.645-674.0	Tube left Trolley	1.000	ST
3	5.645-853.0	Tube right Trolley	1.000	ST
4	5.645-676.0	End piece locking part	2.000	ST
5	6.303-562.0	Saucer-head screw D4x55	4.000	ST



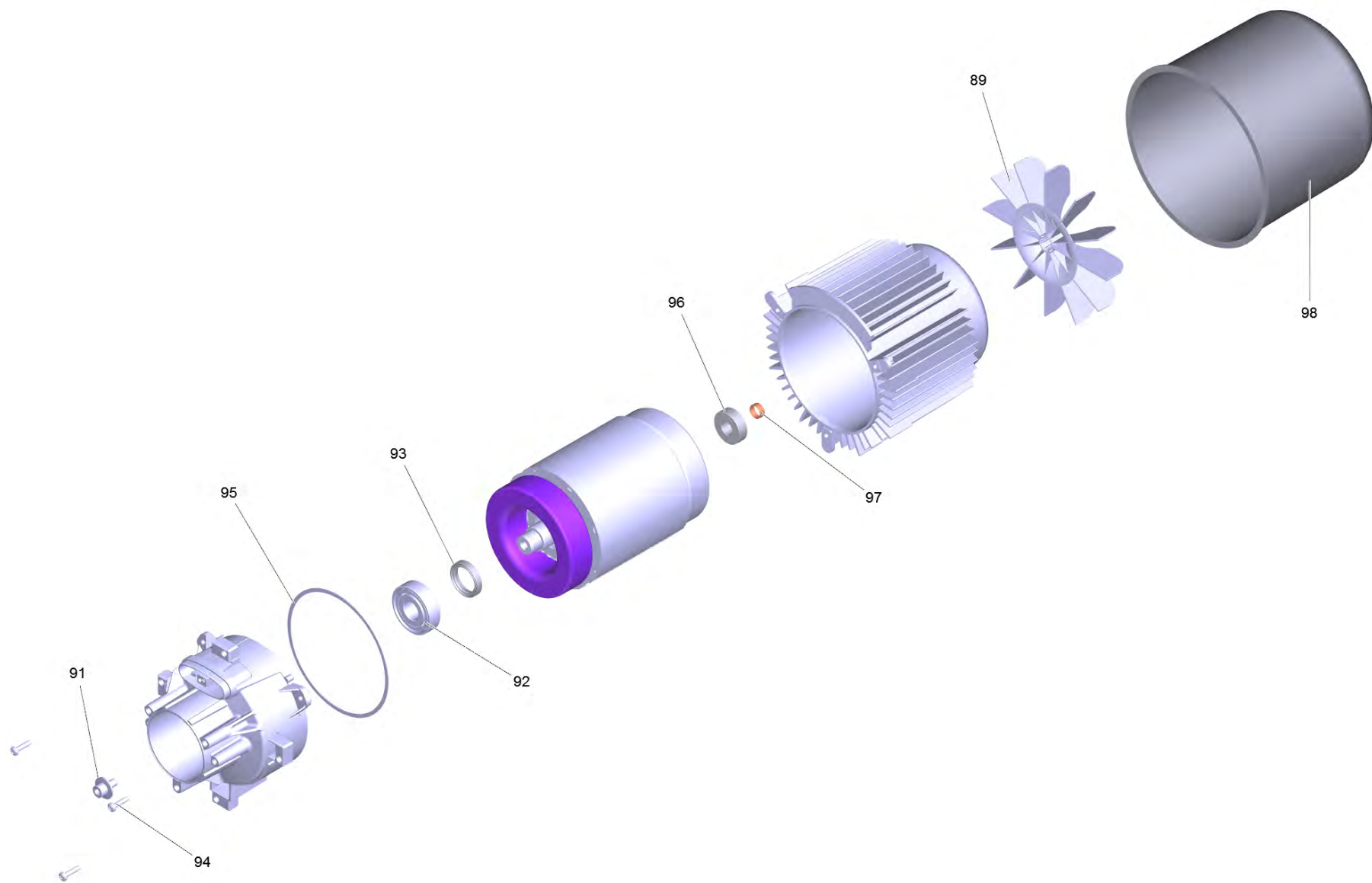
10 Pump set HD 5/12 C *Ed / *CA

POS	Article no.	Description	Quantity	Unit
50		Transmission 1.8/13 Ed	1.000	ST
51		Pump head high-pressure 5/12 KAP	1.000	ST
53		Electric box complete HD-C *Ed	1.000	ST
57	7.306-268.0	Screw M6x70 -8.8-R3R (In6Rd)	3.000	ST
125	6.288-050.0	Engine oil 1L	1.000	ST
999	2.901-048.0	Tool	1.000	ST



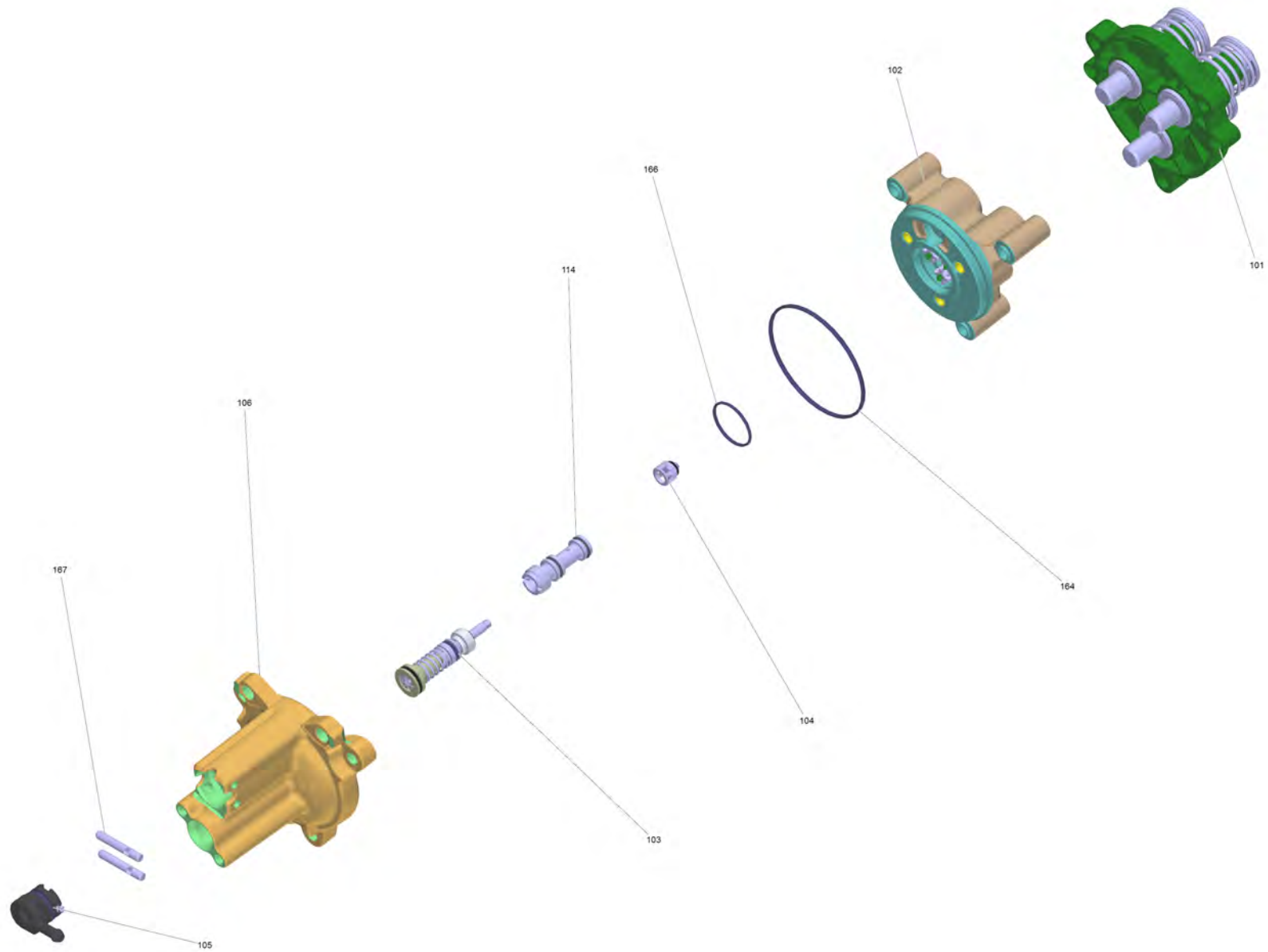
50 Transmission 1.8/13 Ed

POS	Article no.	Description	Quantity	Unit
90	6.401-196.0	Wobble plate	1.000	ST
999	4.624-272.0	Motor replacement	1.000	ST



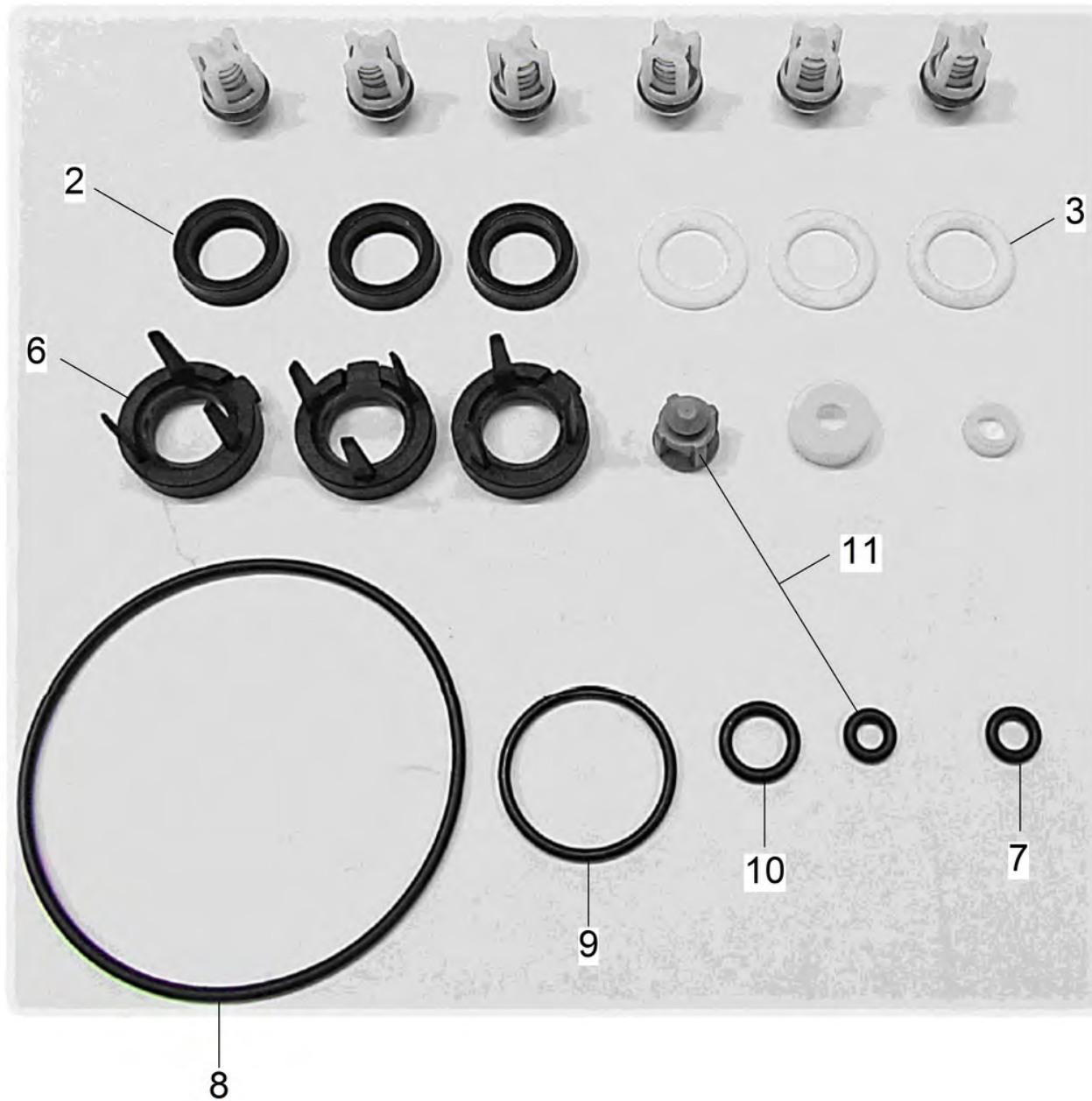
999 Motor replacement (4.624-272.0)

POS	Article no.	Description	Quantity	Unit
89	5.600-105.0	Blower wheel	1.000	ST
91	9.086-169.0	Wobble plate screw M8x16	1.000	ST
92		Ball bearing	1.000	ST
93	7.367-024.0	Radial shaft seal ring A26x37x7 -FKM DIN	1.000	ST
94	6.303-320.0	Screw M 5x 20-St-R2R	3.000	ST
95	5.363-743.0	Joint ring	1.000	ST
96	7.401-128.0	Ball bearing 6202-2RS -Wälzl.St DIN 625	1.000	ST
97	6.343-218.0	Tolerance ring 15x6	1.000	ST
98	5.692-102.0	Air circulation	1.000	ST



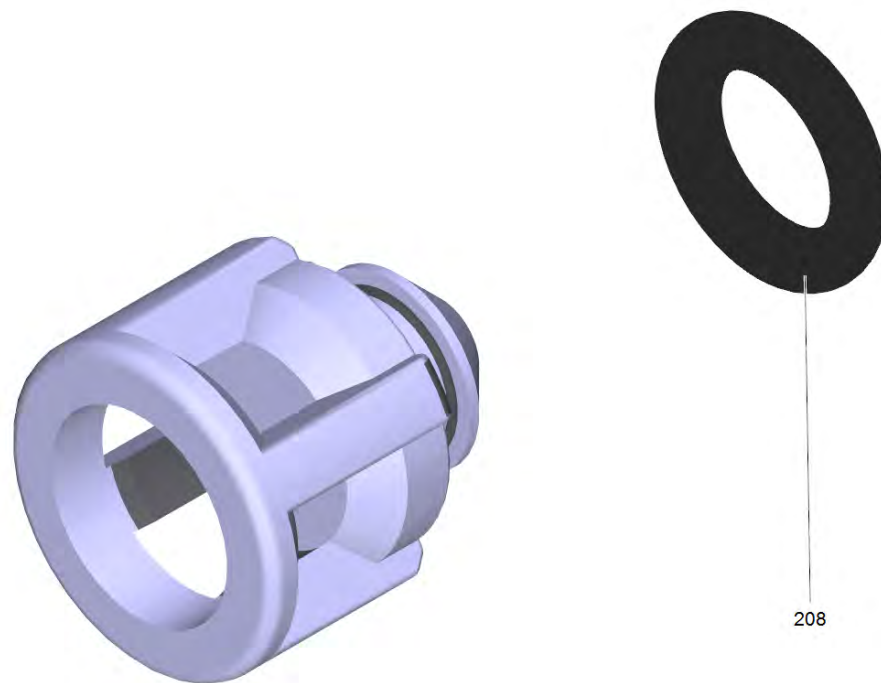
51 Pump head high-pressure 5/12 KAP

POS	Article no.	Description	Quantity	Unit
100	2.885-377.0	Pump set HDC	1.000	ST
101		Piston guidance	1.000	ST
102	4.550-942.0	Cylinder head complete brass	1.000	ST
103	2.885-408.0	Control piston complete replacement	1.000	ST
104	4.584-022.0	Valve pin complete	1.000	ST
105	4.580-702.0	Plug complete	1.000	ST
106	5.062-390.0	Housing HD-C	1.000	ST
114	4.769-035.0	Nozzle insert	1.000	ST
164	6.363-616.0	O-Ring seal 60,0x2,0 -NBR70	1.000	ST
166	6.362-562.0	O-Ring seal 21,95X 1,78-NBR 90	1.000	ST
167	5.314-150.0	Pin	2.000	ST



100 Pump set HDC (2.885-377.0)

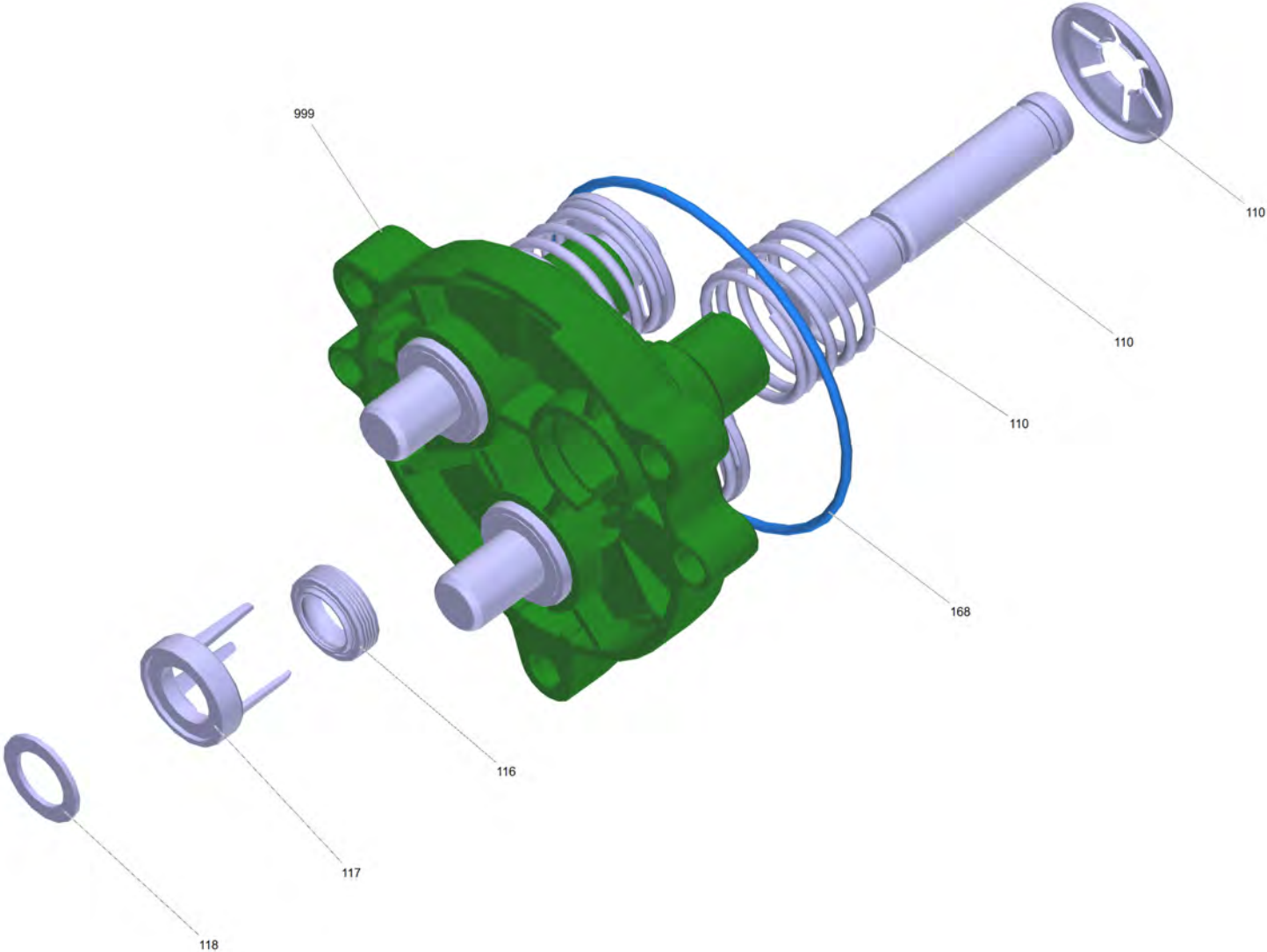
POS	Article no.	Description	Quantity	Unit
2	6.363-435.0	Grooved ring 12x17x4,25/2,5	3.000	ST
3	5.116-380.0	Washer piston guidance	3.000	ST
6	5.116-381.0	Supporting disk	3.000	ST
7	6.363-606.0	O-Ring seal 4,7 x 1,9 -NBR70	1.000	ST
8	6.363-616.0	O-Ring seal 60,0x2,0 -NBR70	1.000	ST
9	6.362-562.0	O-Ring seal 21,95X 1,78-NBR 90	1.000	ST
10	6.362-101.0	O-Ring seal 8 X 2	1.000	ST
11	4.584-022.0	Valve pin complete	1.000	ST



208

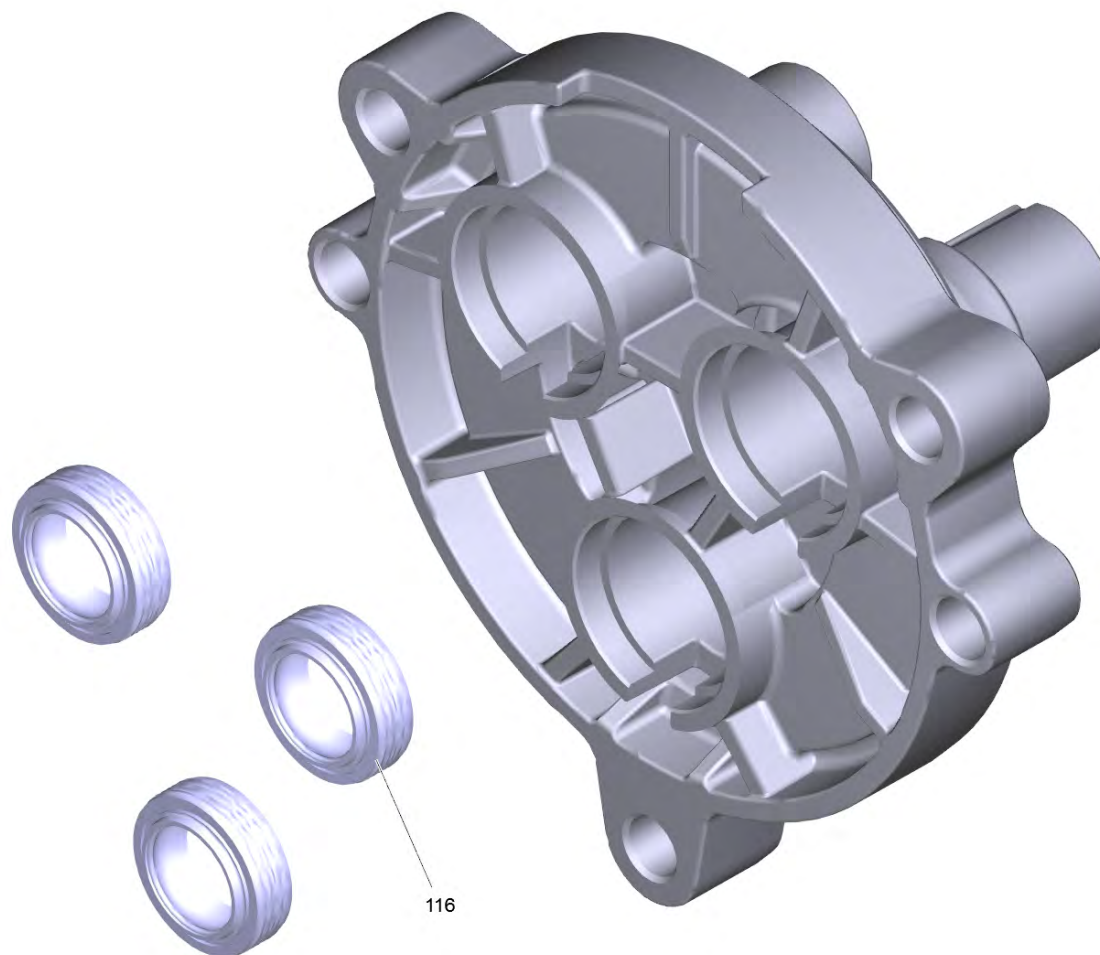
11 Valve pin complete (4.584-022.0)

POS	Article no.	Description	Quantity	Unit
208	6.363-613.0	O-Ring seal 4 x 2 -NBR90	1.000	ST



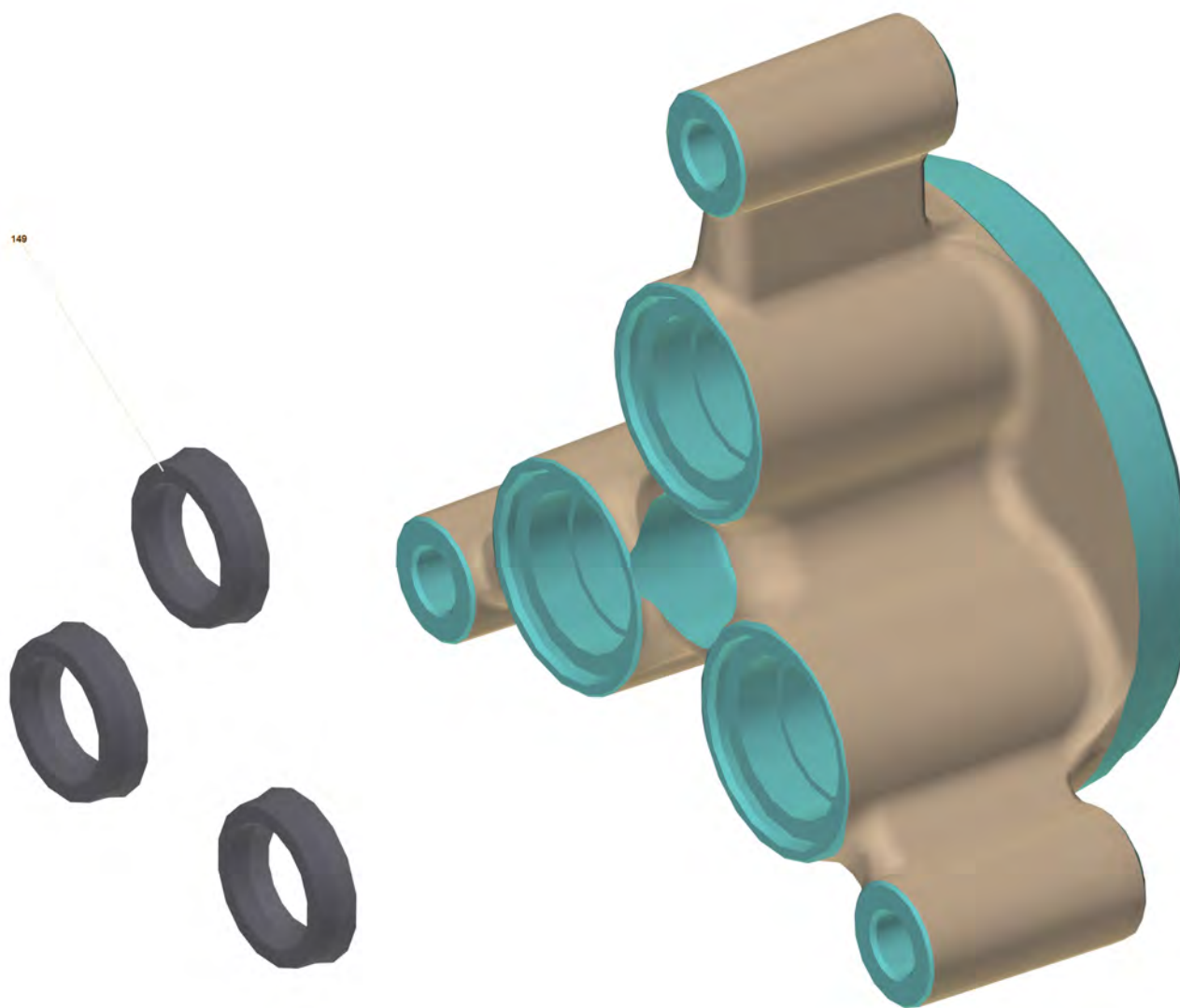
101 Piston guidance

POS	Article no.	Description	Quantity	Unit
110	4.553-319.0	Piston complete	3.000	ST
116	6.363-633.0	Grooved ring 12x18x6/5/1	3.000	ST
117	5.116-381.0	Supporting disk	1.000	ST
118	5.116-380.0	Washer piston guidance	1.000	ST
168	6.363-449.0	O-Ring seal 72x2 -NBR70	1.000	ST
999	2.060-000.0	Piston guidance for replacement	3.000	ST



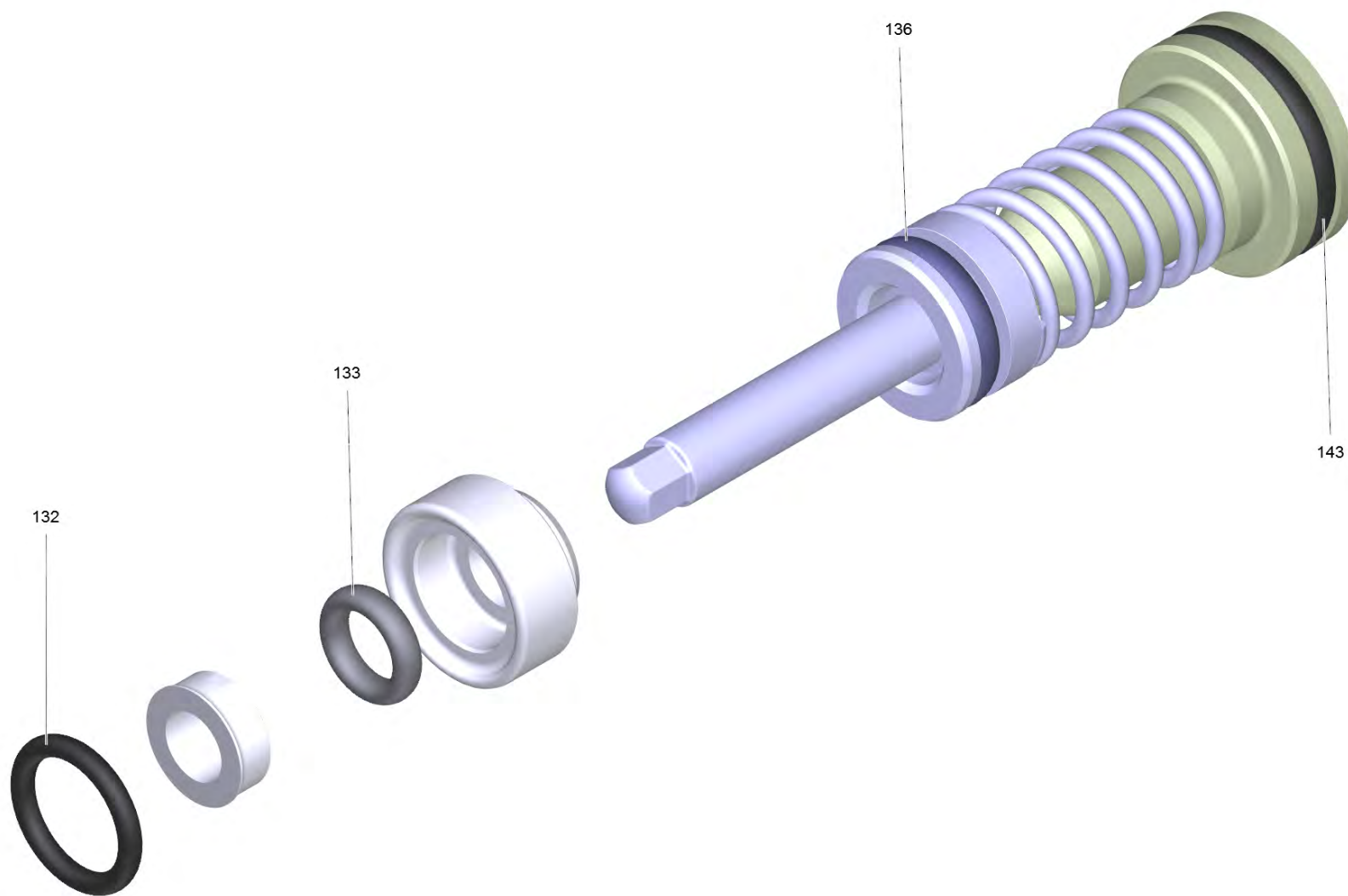
999 Piston guidance for replacement (2.060-000.0)

POS	Article no.	Description	Quantity	Unit
116	6.363-633.0	Grooved ring 12x18x6/5/1	3.000	ST



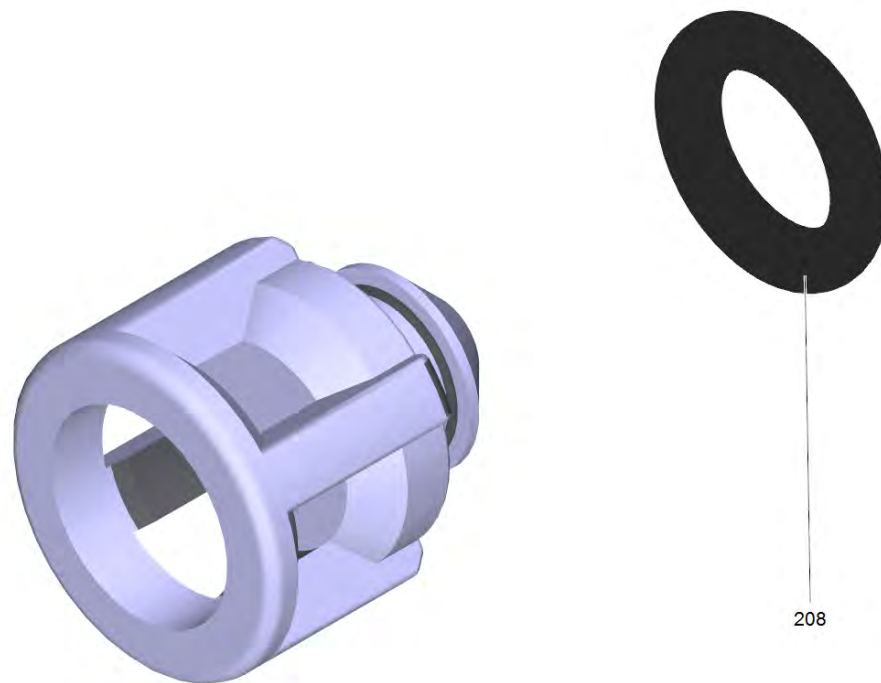
102 Cylinder head complete brass (4.550-942.0)

POS	Article no.	Description	Quantity	Unit
149	6.363-435.0	Grooved ring 12x17x4,25/2,5	3.000	ST



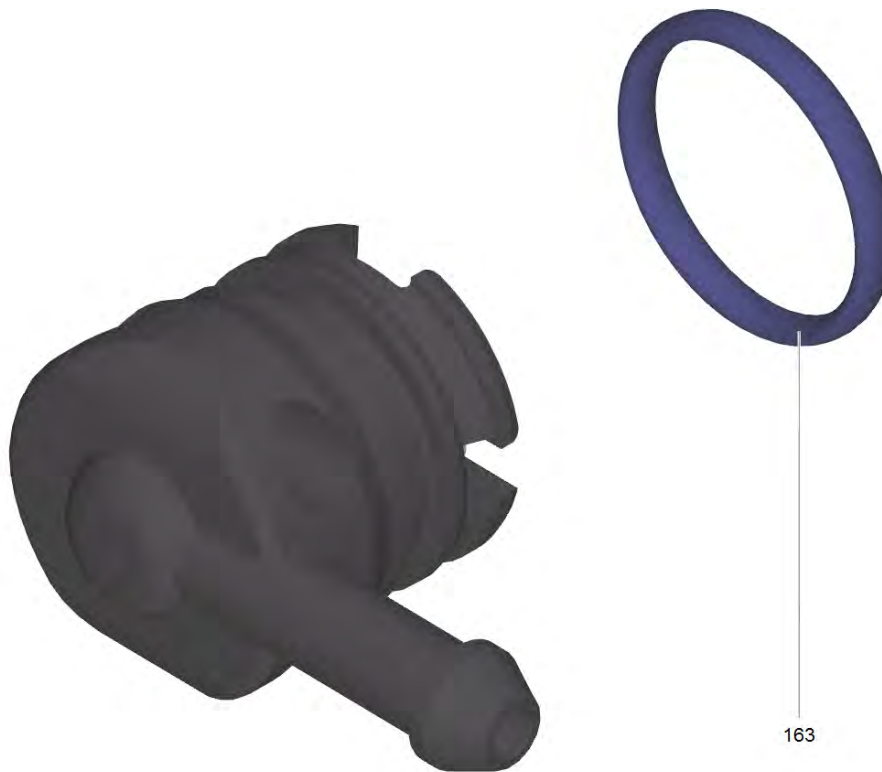
103 Control piston complete replacement (2.885-408.0)

POS	Article no.	Description	Quantity	Unit
132	6.362-101.0	O-Ring seal 8 X 2	1.000	ST
133	6.363-606.0	O-Ring seal 4,7 x 1,9 -NBR70	1.000	ST
136	6.363-614.0	O-Ring seal 9 x 2 -NBR90	1.000	ST
143	6.362-381.0	O-Ring seal 13x2 - NBR 70	1.000	ST



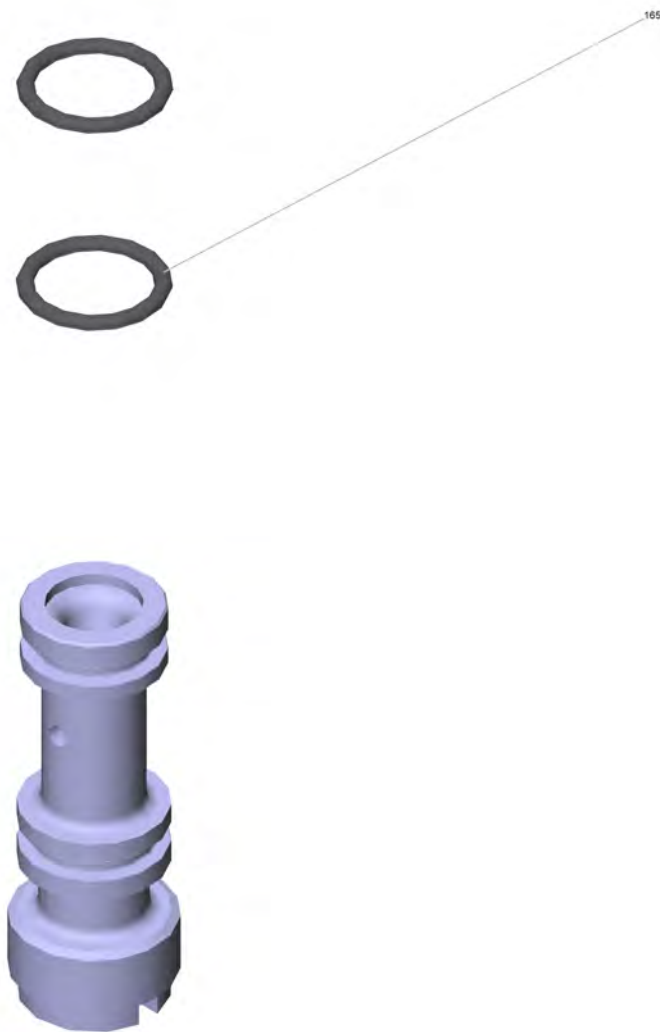
104 Valve pin complete (4.584-022.0)

POS	Article no.	Description	Quantity	Unit
208	6.363-613.0	O-Ring seal 4 x 2 -NBR90	1.000	ST



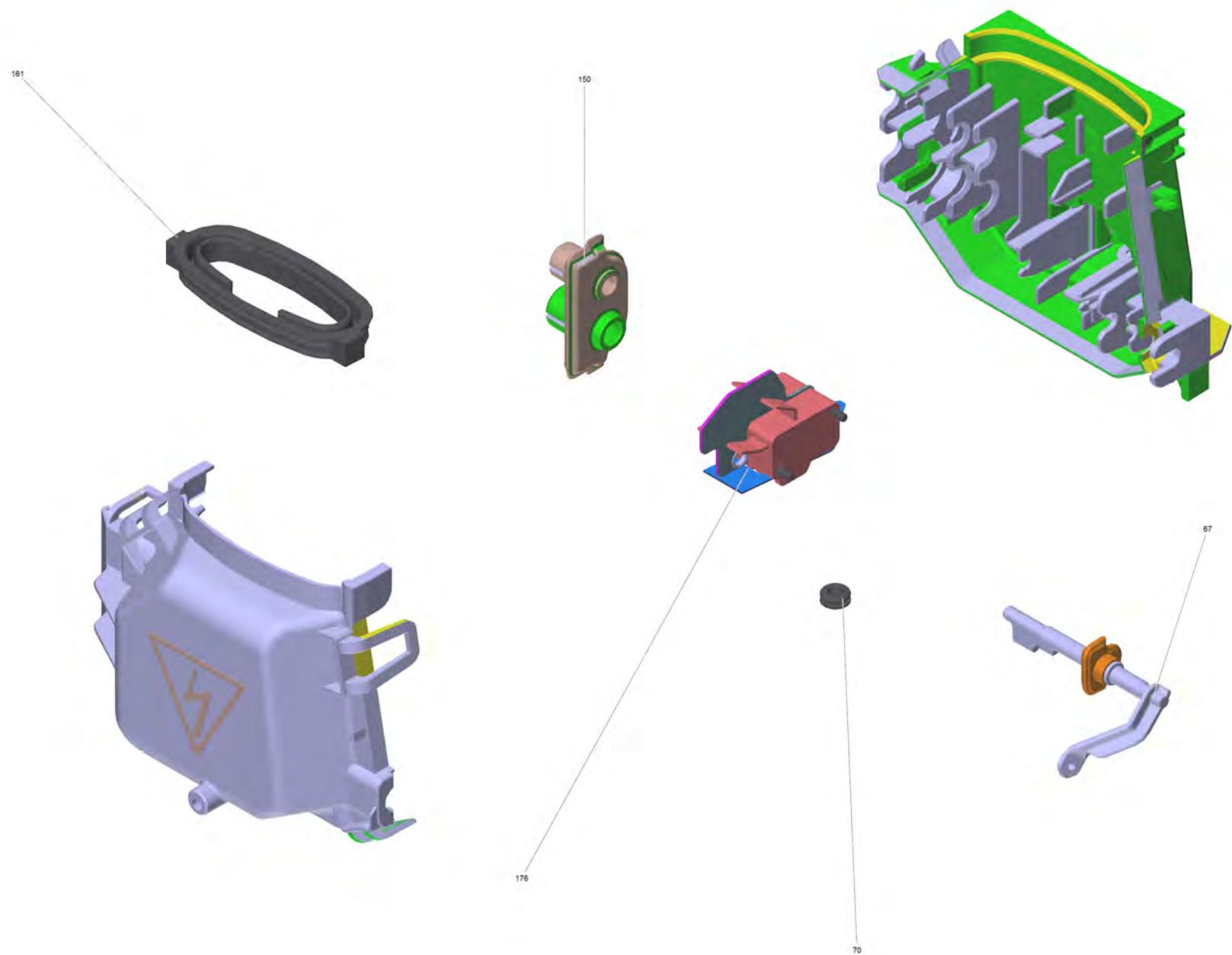
105 Plug complete (4.580-702.0)

POS	Article no.	Description	Quantity	Unit
163	6.362-030.0	O-Ring seal 15x2 90 Shore IRHD	1.000	ST



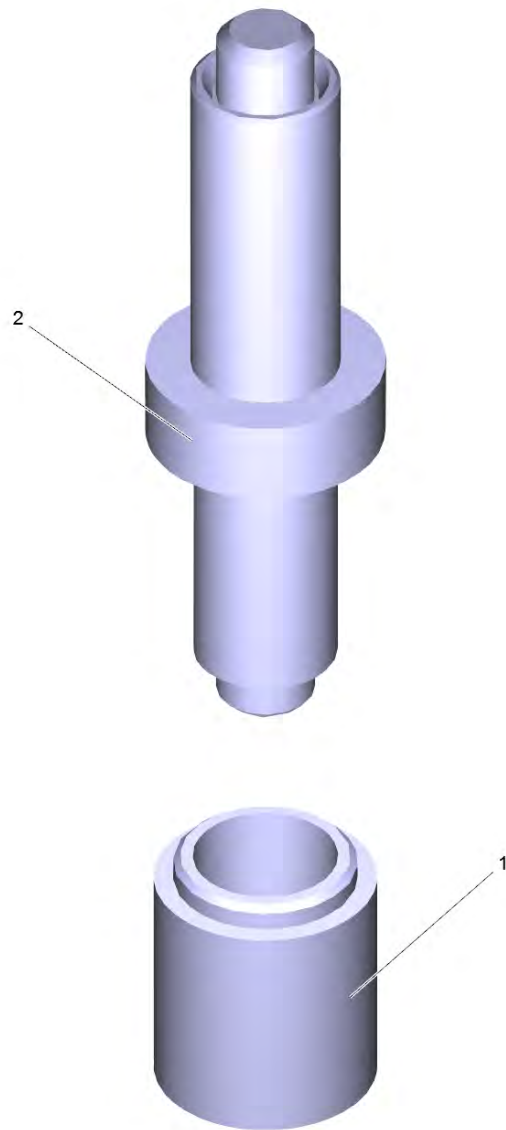
114 Nozzle insert (4.769-035.0)

POS	Article no.	Description	Quantity	Unit
165	6.362-384.0	O-Ring seal 9x1,5 - NBR 70	2.000	ST



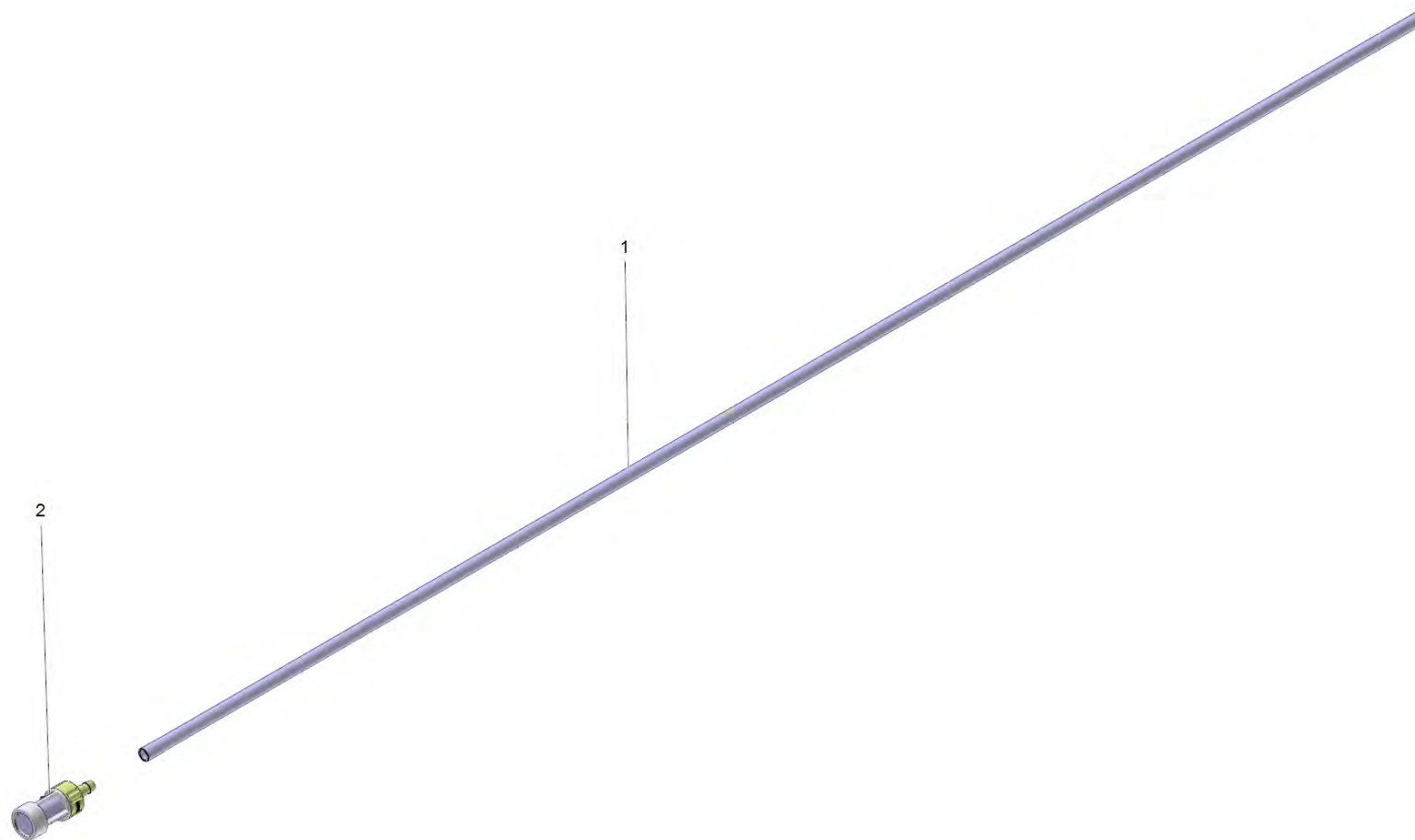
53 Electric box complete HD-C *Ed

POS	Article no.	Description	Quantity	Unit
65	6.961-000.0	Micro switch	1.000	ST
67	2.885-376.0	Selector shaft spare parts set HDC	1.000	ST
70	5.363-749.0	Seal control piston	1.000	ST
150	5.363-807.0	Seal cable HDC	1.000	ST
161	5.363-761.0	Seal label	1.000	ST



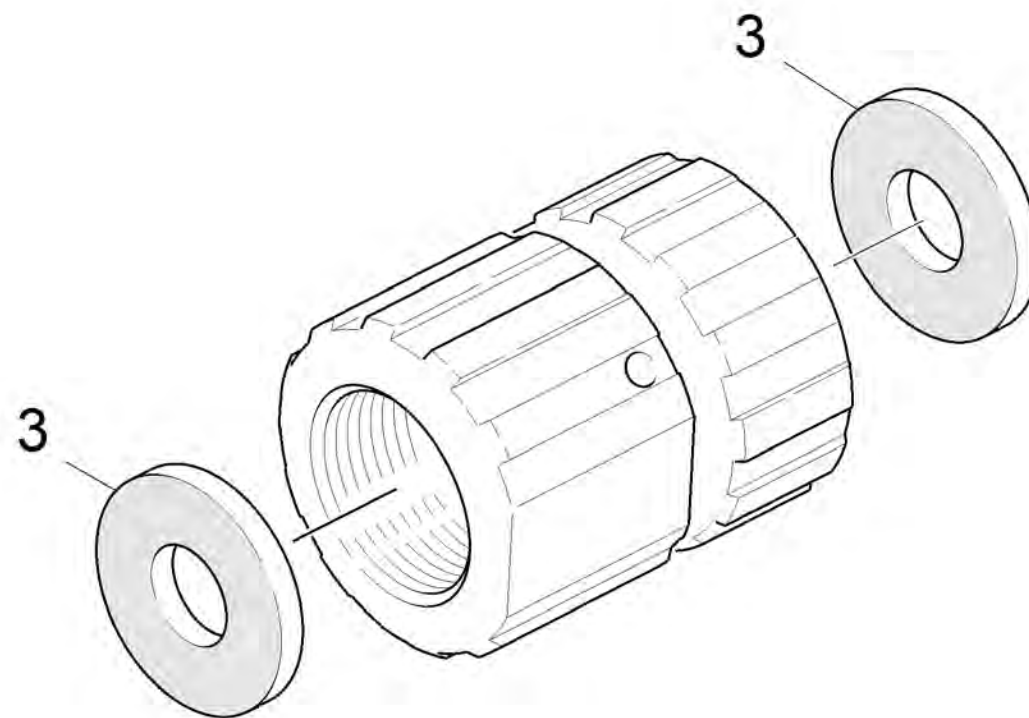
999 Tool (2.901-048.0)

POS	Article no.	Description	Quantity	Unit
1	5.901-223.0	Fitting case C=21,4; D=16,9mm	1.000	ST
2	5.901-224.0	Assembly mandril A=16,8;B=11,5mm	1.000	ST



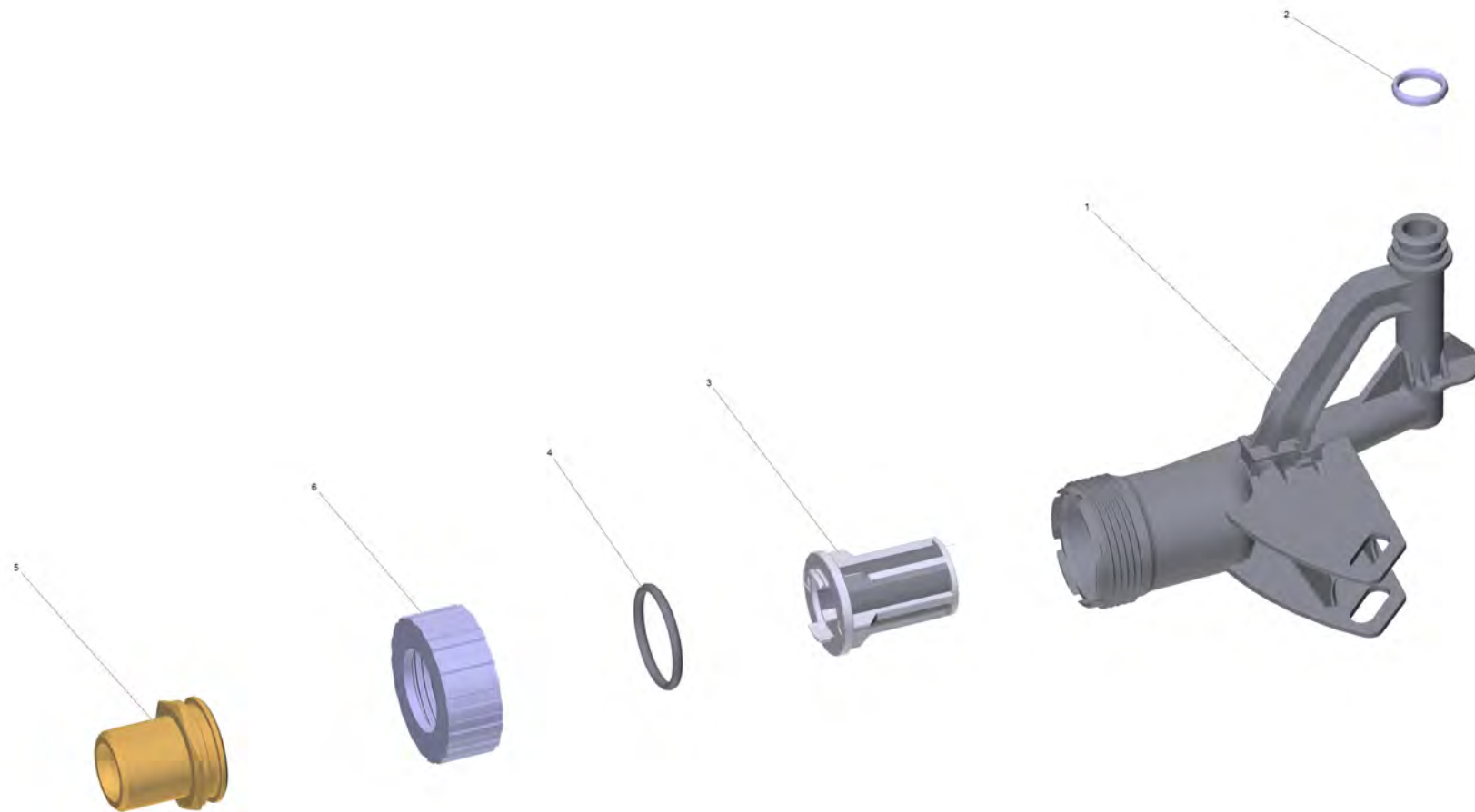
31 Filter with hose RM 1,05

POS	Article no.	Description	Quantity	Unit
1	6.388-216.0	Hose DN 5	1.000	M
2	4.862-225.0	Filter chemistry regulation	1.000	ST



43 Screw connector part (4.401-059.0)

POS	Article no.	Description	Quantity	Unit
3	5.364-129.0	Flat gasket	2.000	ST

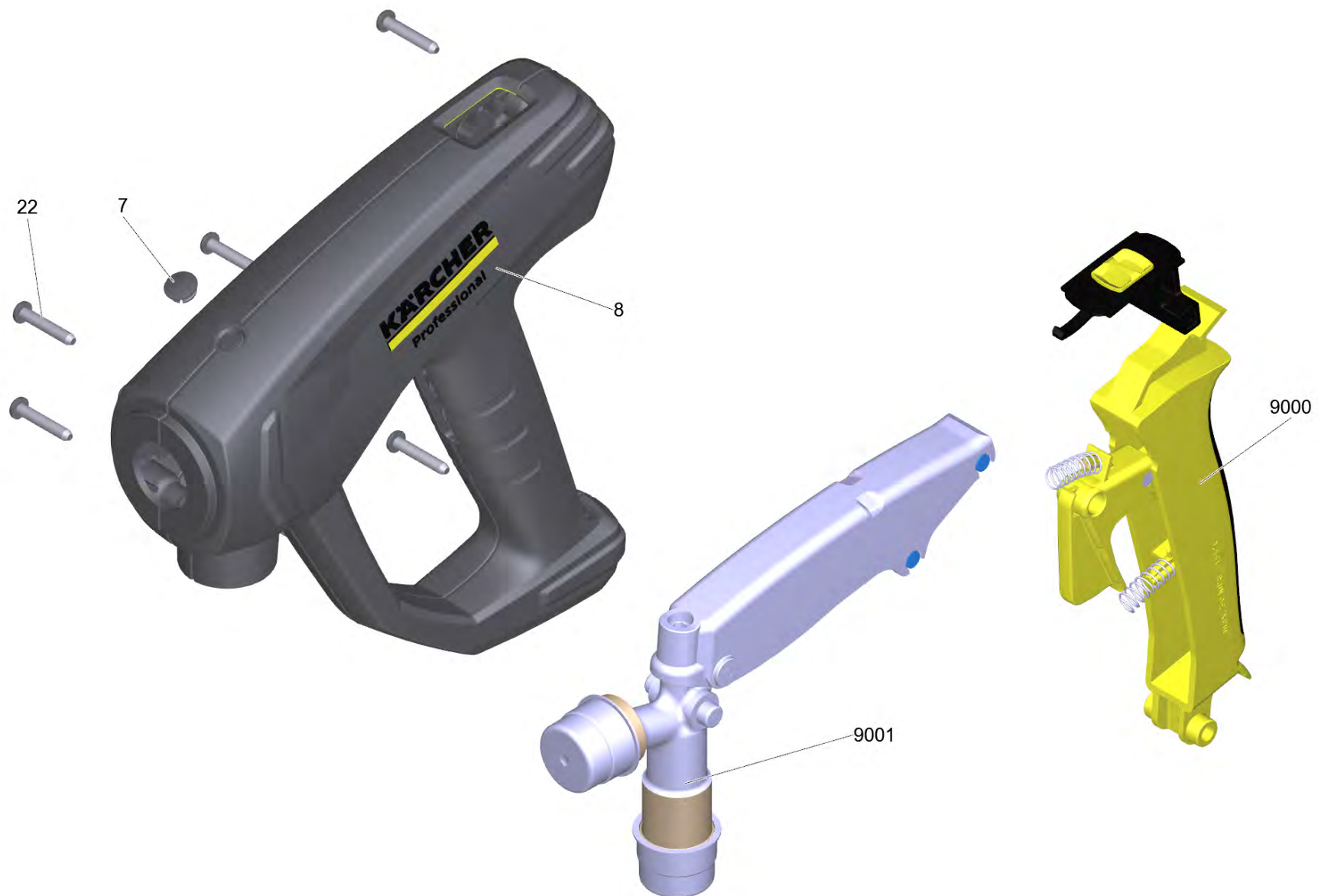


50 Water intake complete

POS	Article no.	Description	Quantity	Unit
1	5.443-672.0	Tube water intake	1.000	ST
2	6.363-610.0	O-Ring seal 13 x 3 -NBR	1.000	ST
3	5.731-059.0	Filter cartridge with cone (mesh 100)	1.000	ST
4	6.363-437.0	O-Ring seal 30x3	1.000	ST
5	5.064-517.0	Connection piece water intake G 3/4 A	1.000	ST
6	5.064-465.0	Nut water intake	1.000	ST

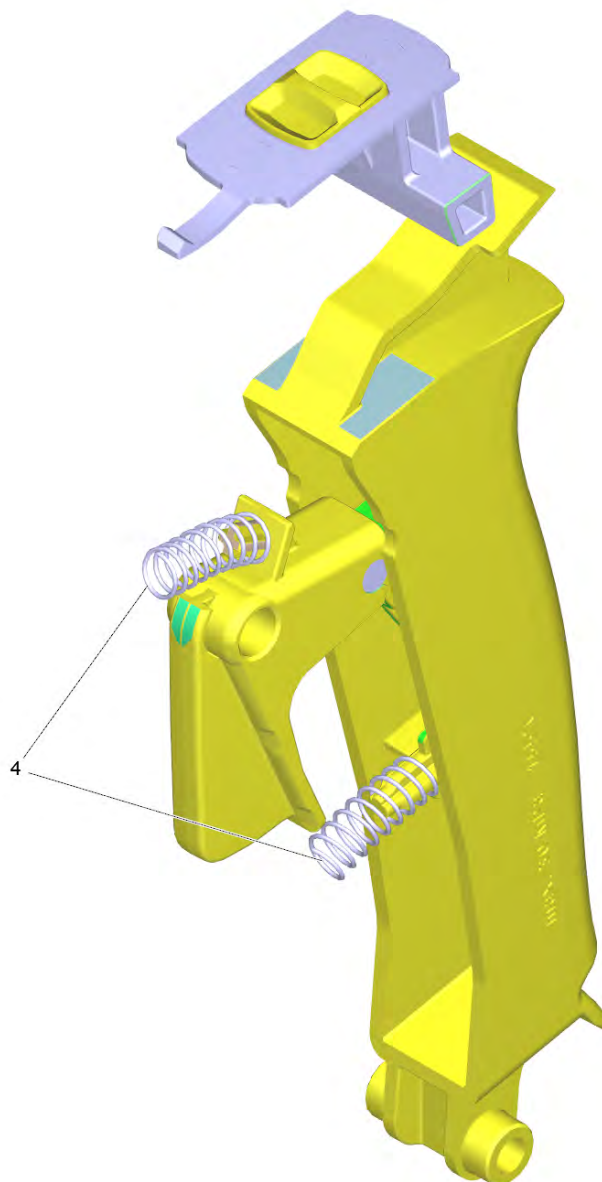
60 EASY!Force Advanced (4.118-005.0)

POS	Description	Quantity	Unit
1	Hand trigger gun TR EH 155	1.000	ST



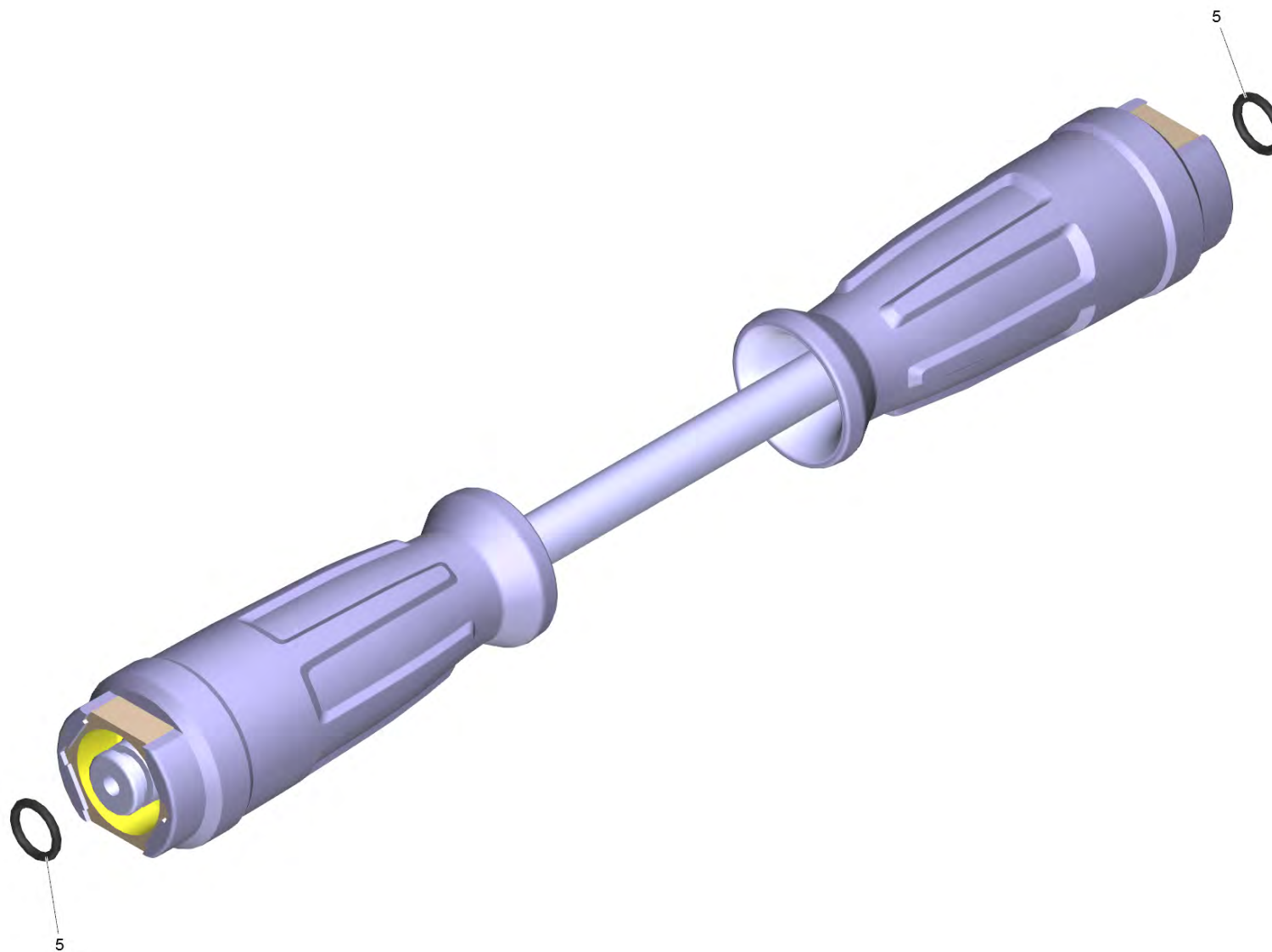
1 Hand trigger gun TR EH 155

POS	Article no.	Description	Quantity	Unit
7	5.132-001.0	Plug	1.000	ST
8	5.321-136.3	Handhold few EH 155 only for replacement	1.000	ST
22	7.303-096.0	Screw 4x22 -ST-10.9-R2R (IN6RD)	7.000	ST
9000	2.885-483.0	Spare part set lever	1.000	ST
9001	4.427-014.0	Manifold TR EH 155 nur fuer Ersatz	1.000	ST



9000 Spare part set lever (2.885-483.0)

POS	Article no.	Description	Quantity	Unit
4	5.332-032.0	Helical spring	2.000	ST

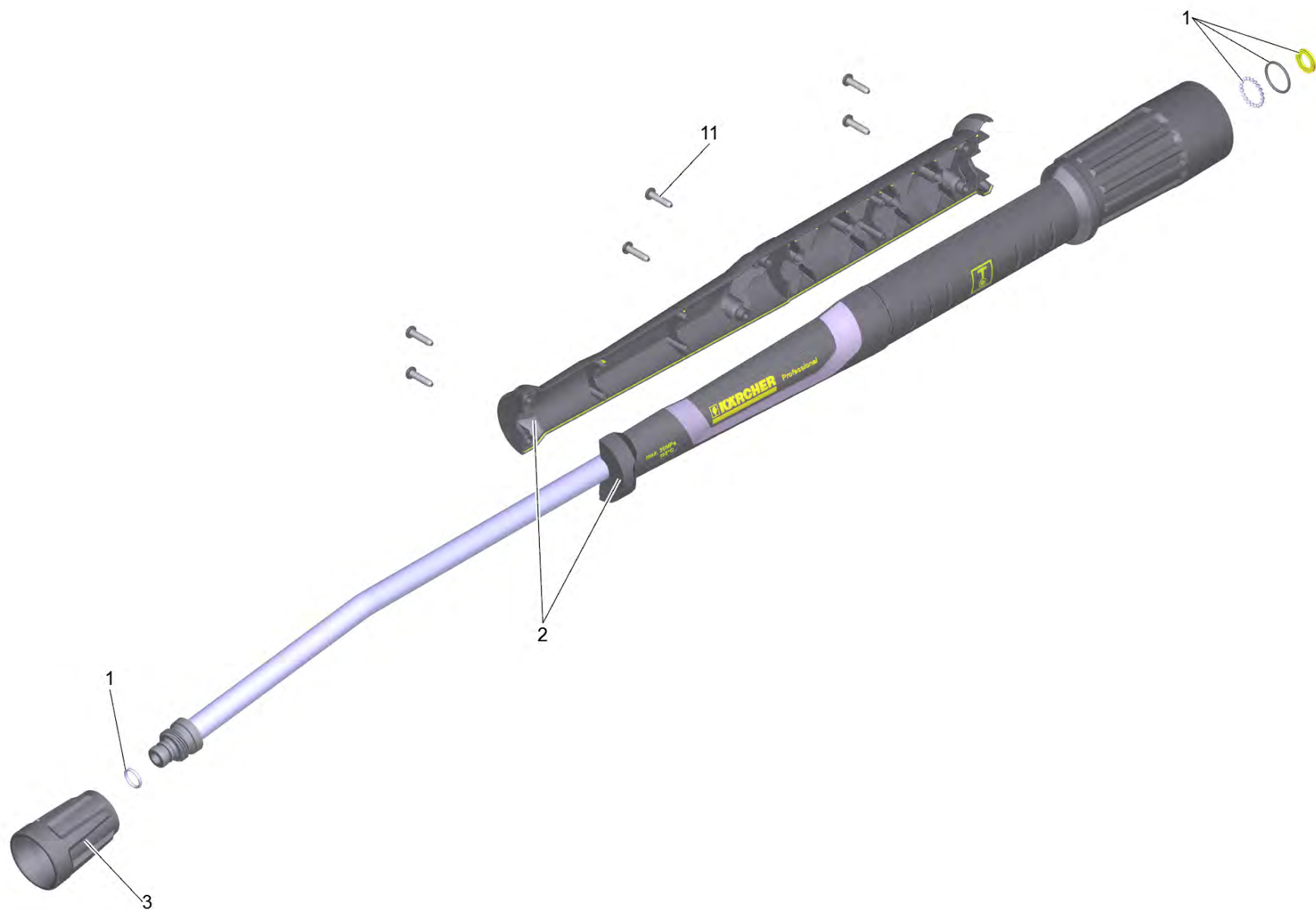


61 Hose assembly TR DN6 25MPa 10m (6.110-034.0)

POS	Article no.	Description	Quantity	Unit
5	2.880-154.0	O-Ring kit	1.000	ST

63 Jet pipe TR 840 mm (4.112-006.0)

POS	Description	Quantity	Unit
1	Jet pipe TR 840 mm	1.000	ST

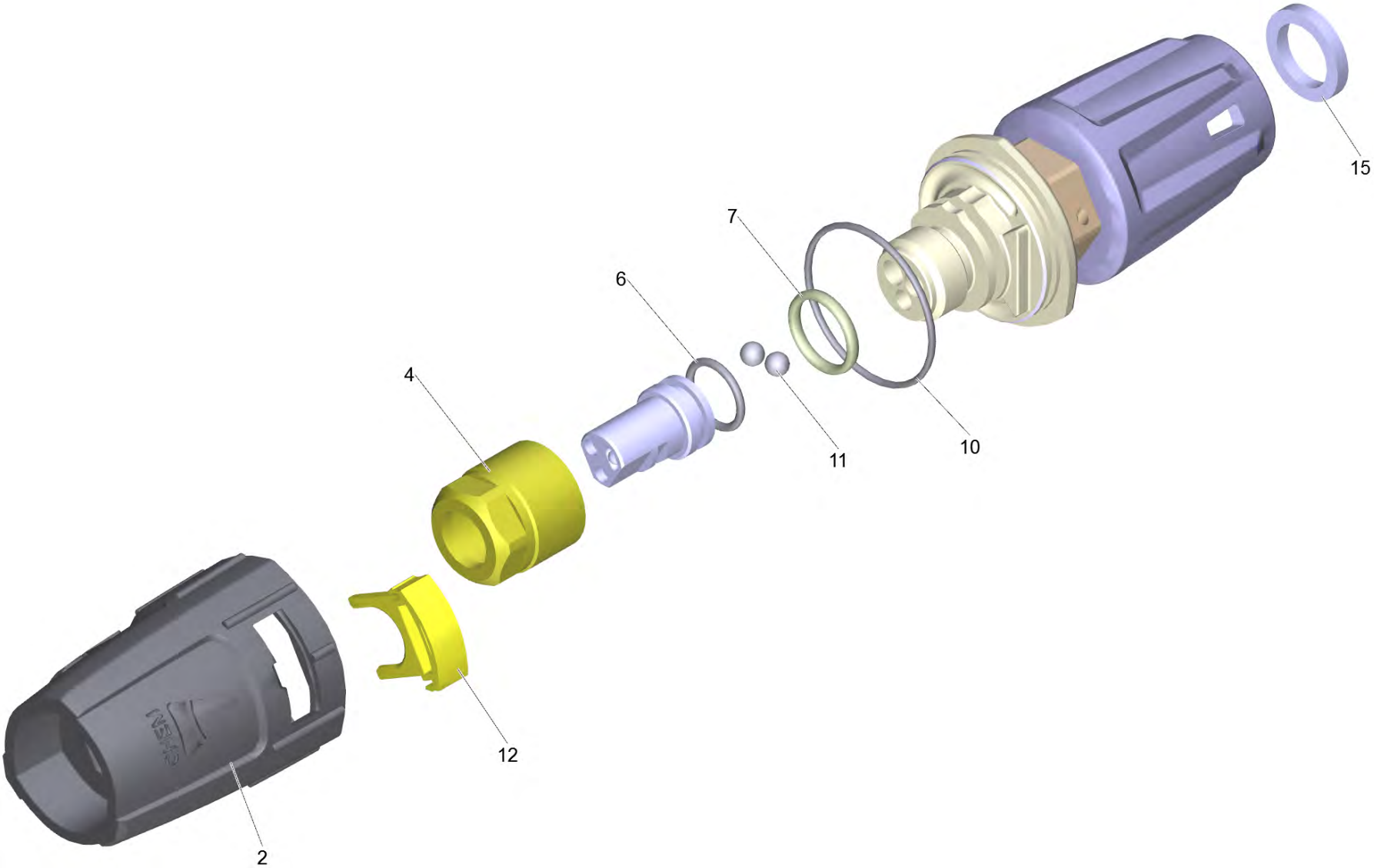


1 Jet pipe TR 840 mm

POS	Article no.	Description	Quantity	Unit
1	4.100-688.0	Spare part set seal TR	1.000	ST
2	5.321-018.3	Handle bowl jet pipe only for replacemen	1.000	ST
3	4.112-011.0	Protection part TR only for replacement	1.000	ST
11	7.303-129.0	Screw 4x16 -10.9-R2R (K-In6Rd)	6.000	ST

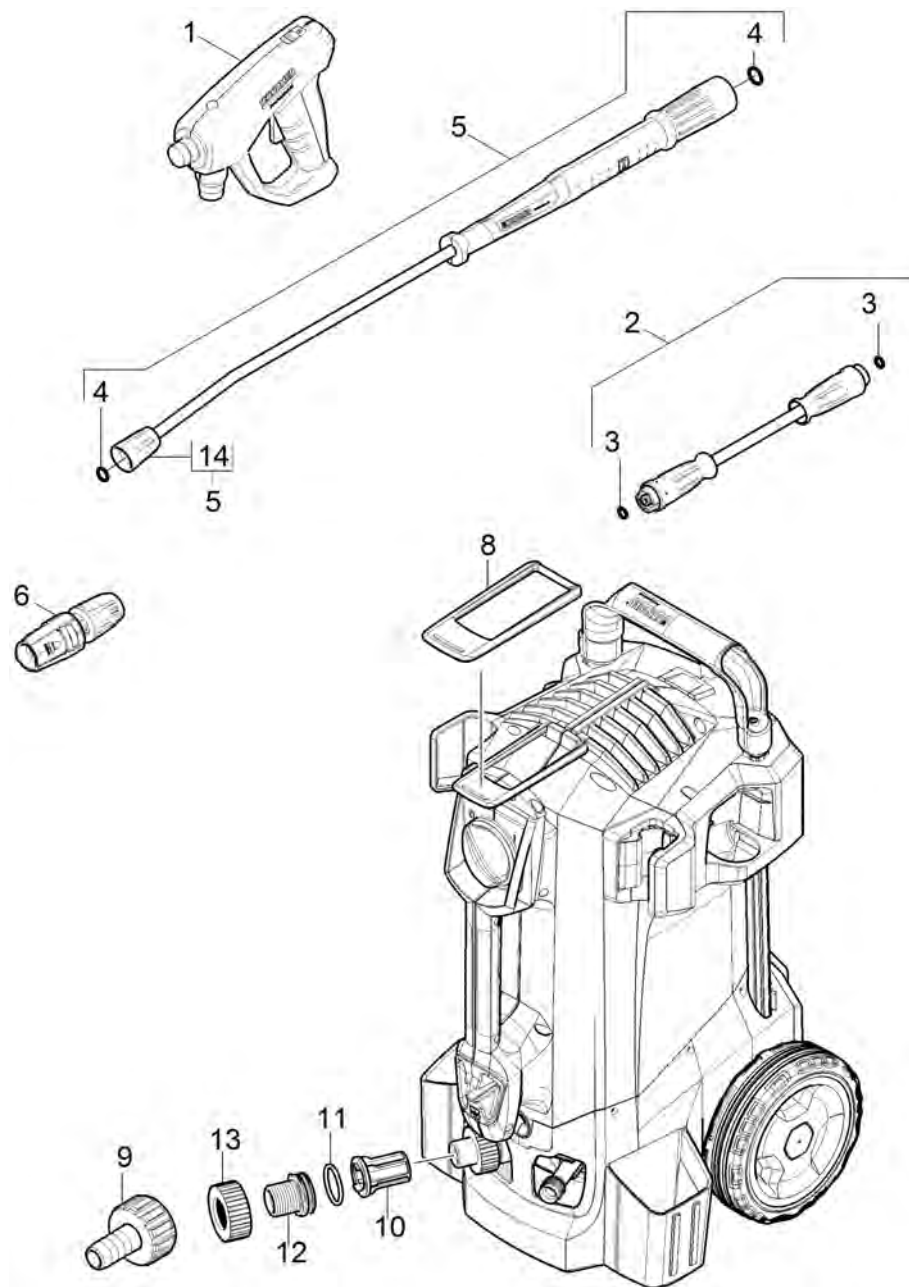
902 Triple jet nozzle TR 032 (4.117-027.0)

POS	Description	Quantity	Unit
1	Triple jet nozzle TR 032	1.000	ST



1 Triple jet nozzle TR 032

POS	Article no.	Description	Quantity	Unit
2	5.394-859.0	Protection part	1.000	ST
4	5.311-225.0	Nut	1.000	ST
6	6.362-480.0	O-Ring seal 12,42x 1,78	1.000	ST
7	6.362-460.0	O-Ring seal 14,0 X 2,5-NBR 70	1.000	ST
10	6.362-409.0	O-Ring seal 32,0 X 1,5	1.000	ST
11	7.401-902.0	Sphere 5 G20 -1.4034 DIN 5401	2.000	ST
12	5.321-884.0	Clamp	1.000	ST
15	6.363-696.0	Brake ring 14x20x3	1.000	ST



50 Short spare parts list

POS	Article no.	Description	Quantity	Unit
1	4.118-005.0	EASY!Force Advanced	1.000	ST
2	6.110-034.0	Hose assembly TR DN6 25MPa 10m	1.000	ST
3	2.880-154.0	O-Ring kit	1.000	ST
4	2.880-001.0	Spare part set seals TR	2.000	ST
5	4.112-006.0	Jet pipe TR 840 mm	1.000	ST
6	4.117-027.0	Triple jet nozzle TR 032	1.000	ST
8	5.379-043.0	Strap	1.000	ST
9	4.401-056.0	Screw connector part	1.000	ST
10	5.731-059.0	Filter cartridge with cone (mesh 100)	1.000	ST
11	6.363-437.0	O-Ring seal 30x3	1.000	ST
12	5.064-517.0	Connection piece water intake G 3/4 A	1.000	ST
13	5.064-465.0	Nut water intake	1.000	ST
14	4.112-011.0	Protection part TR only for replacement	1.000	ST