

## **Spare parts list**

(1.150-629.0) HD 2.3/14 C Ed Food

## Table of contents

---

HD 2.3/14 C Ed Food (1.150-629.0)	3
Spare parts list HD 2.3/14 C Ed Food (5.972-564.0)	4
10 Housing	5
20 Pump set	7
21 Cylinder head	8
4 Valve (3 Stück) (2.884-916.0)	10
11 Drain plug only for replacement (4.132-007.0)	12
20 Valve pin complete (4.584-022.0)	14
21 Nozzle insert only for replacement (4.769-034.0)	16
24 Overflow valve (4.591-038.0)	18
31 Spindle complete (4.291-014.0)	19
35 Screw connector part (4.401-059.0)	21
100 PUMP SET HD 5/12 C (2.883-997.0)	23
10 Drain plug only for replacement (4.132-007.0)	25
20 Valve (3 Stück) (2.884-916.0)	27
22 Thrust guidance	29
30 Motor	31
40 Accessories	33
41 Hand trigger gun	34
1 HAND TRIGGER GUN EASY PRESS (4.775-463.0)	36
9002 Lever complete (4.481-209.0)	38
4 Lever complete (4.481-209.0)	40
42 High pressure hose	42
43 Jet pipe	44
1 Jet pipe packaged only for replacement (4.760-663.0)	46
14 Screw connector part (5.401-210.0)	48
8 Screw connector part (5.401-210.0)	49
44 Triple jet nozzle	50
Triple jet nozzle only for replacement 0 (4.767-150.0)	52
1 Triple jet nozzle 040 (4.767-136.0)	53
50 Electric box	55

HD 2.3/14 C Ed Food (1.150-629.0)

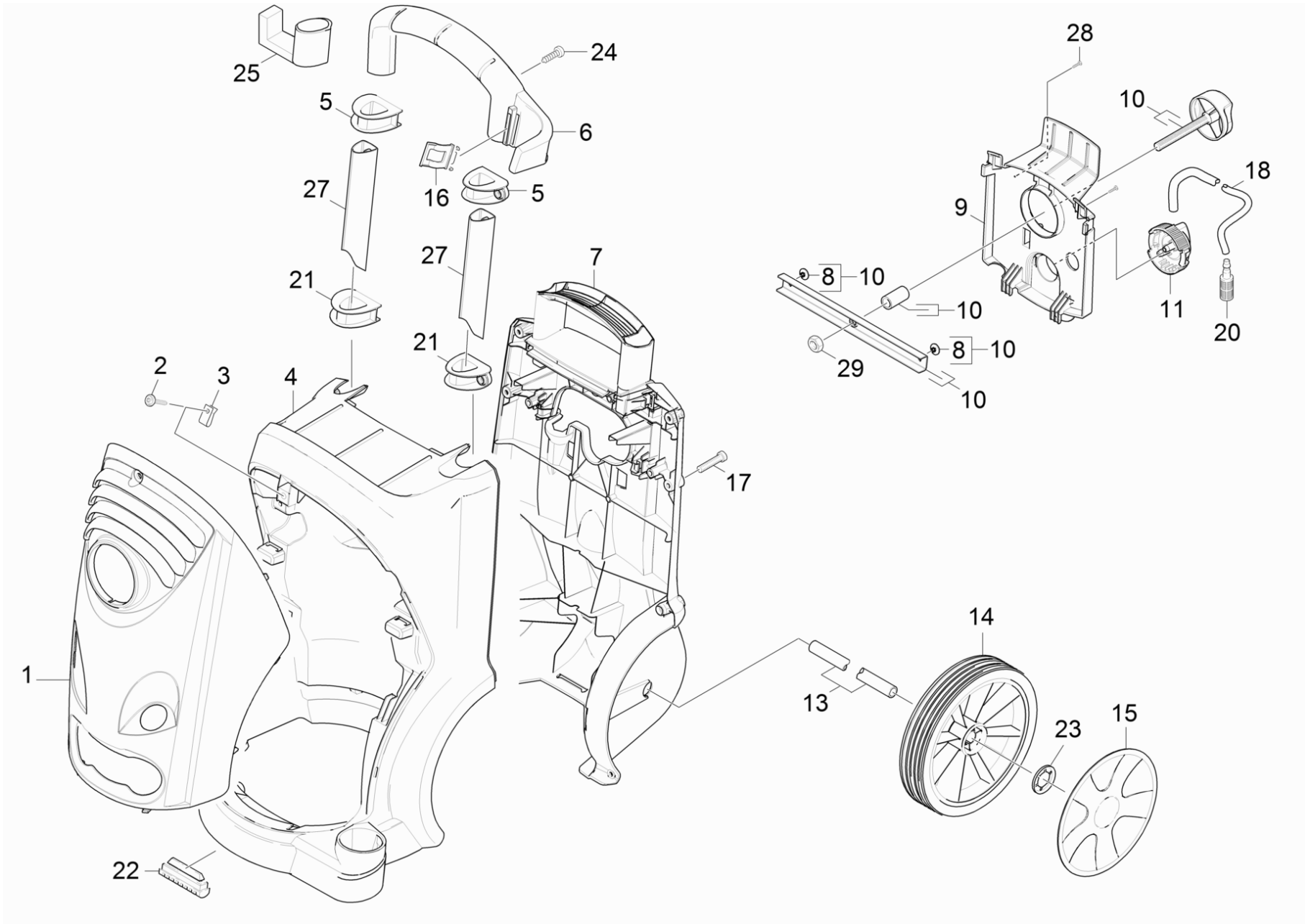
---

<b>POS</b>	<b>Article no.</b>	<b>Description</b>	<b>Quantity</b>	<b>Unit</b>
0	5.972-564.0	Spare parts list HD 2.3/14 C Ed Food	1.000	ST

Spare parts list HD 2.3/14 C Ed Food (5.972-564.0)

---

<b>POS</b>	<b>Description</b>	<b>Quantity</b>	<b>Unit</b>
10	Housing	1.000	ST
20	Pump set	1.000	ST
30	Motor	1.000	ST
40	Accessories	1.000	ST
50	Electric box	1.000	ST



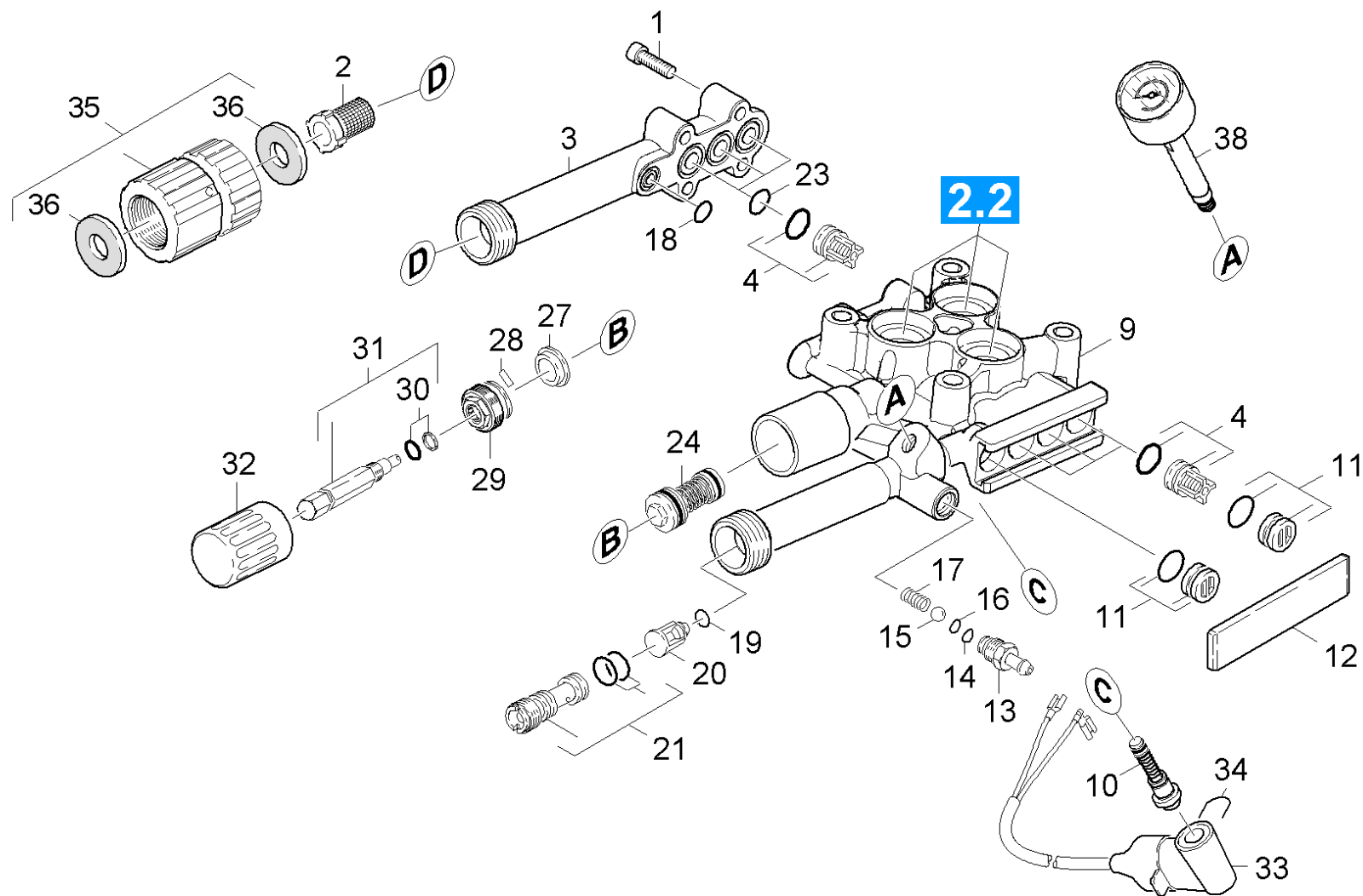
## 10 Housing

POS	Article no.	Description	Quantity	Unit	Foot note text
1	5.069-202.0	Device cover	1.000	ST	
2	6.304-099.0	Saucer-head screw M 6x 18-4.8-R2R	1.000	ST	
3	6.310-053.0	Putting nut	1.000	ST	
4	5.050-206.3	Frame front part	1.000	ST	
5	5.032-554.0	Guide	2.000	ST	
6	5.321-721.0	Hand grip	1.000	ST	
7	5.050-207.0	Frame rear panel	1.000	ST	
8	6.315-086.0	Rivet	2.000	ST	
9		Covering cap with bore	1.000	ST	
10	2.885-007.0	Spare part set Griff	1.000	ST	
11	4.063-778.0	Proportioning valve chemistry	1.000	ST	
13	5.105-399.0	Axle	1.000	ST	
14	6.435-756.0	Wheel grey D200	2.000	ST	
15	4.515-273.0	Spare parts set wheel cap	1.000	ST	
16	5.044-216.0	Holder	1.000	ST	
17	7.303-108.0	Screw 5x20 -10.9-R2R (In6Rd)	10.000	ST	
18	6.388-216.0	Hose DN 5	1.000	M	TO ORDER AS CUT GOODS
20	5.731-652.0	Filter with weight	1.000	ST	
21	5.032-555.0	Guide	2.000	ST	
22	5.057-077.0	Support	2.000	ST	
23	6.343-168.0	Lock washer	2.000	ST	
24	7.303-046.0	Screw M6x12 -St-R3R (In6Rd)	2.000	ST	
25	5.037-170.0	Hook	1.000	ST	
27	5.107-248.0	Bar shearing shackle	2.000	ST	
28	7.303-107.0	Screw 5x16 -10.9-P2R (K-In6Rd)	2.000	ST	
29	7.311-088.0	Hexagon nut M10-8-A2K EN 1664	1.000	ST	

## 20 Pump set

---

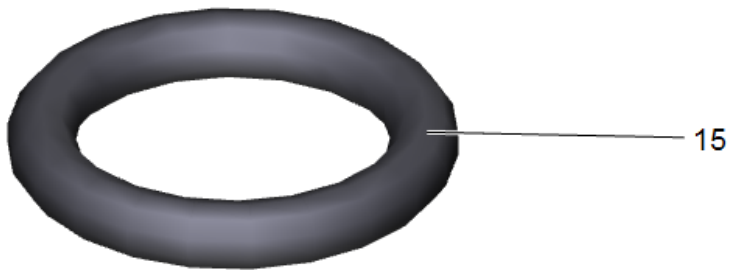
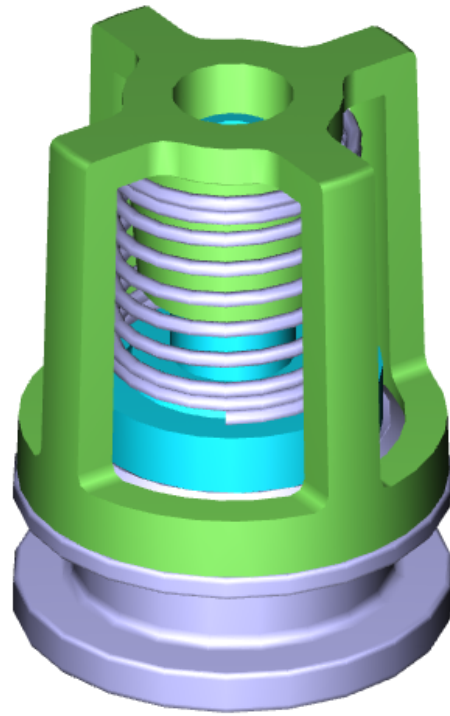
<b>POS</b>	<b>Description</b>	<b>Quantity</b>	<b>Unit</b>
21	Cylinder head	1.000	ST
22	Thrust guidance	1.000	ST





## 21 Cylinder head

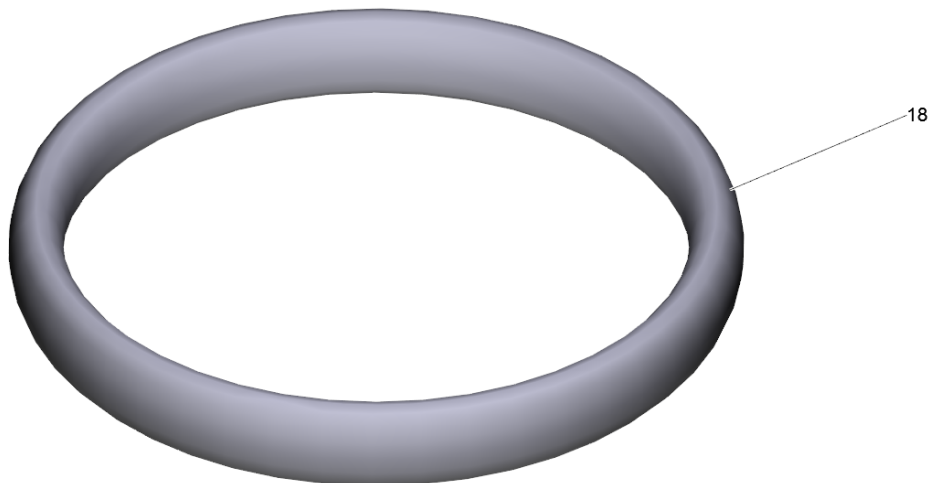
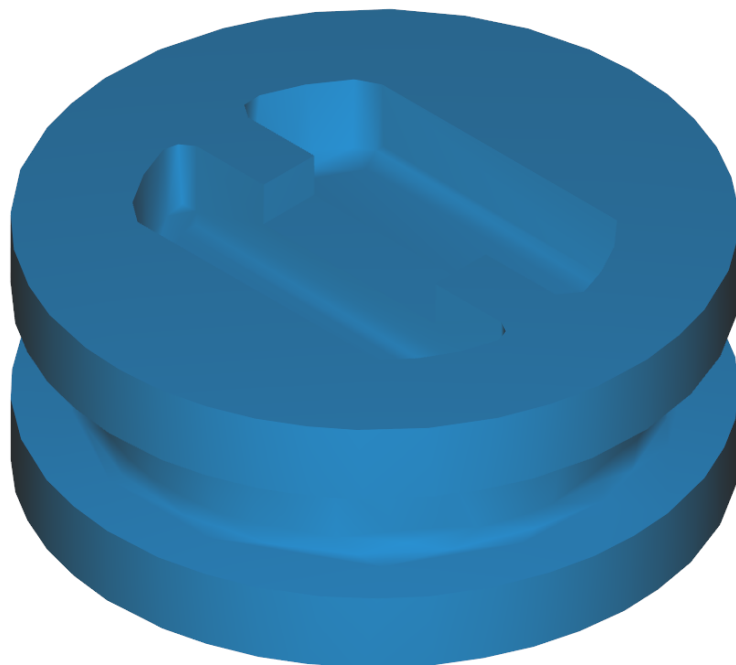
POS	Article no.	Description	Quantity	Unit
1	7.306-105.0	Screw M6x30 -8.8-R3R (In6Rd)	4.000	ST
2	6.414-252.0	Strainer	1.000	ST
3	5.064-150.0	Suction cover	1.000	ST
4	2.884-916.0	Valve (3 Stück)	2.000	ST
9	5.550-324.3	Cylinder head	1.000	ST
10	2.884-501.0	Spare part set control piston	1.000	ST
11	4.132-007.0	Drain plug only for replacement	4.000	ST
12	5.003-062.0	Plate	1.000	ST
13	5.443-624.0	Nipple	1.000	ST
14	6.362-113.0	O-Ring seal 6,0 x 2,0 NBR 70	1.000	ST
15	7.401-908.0	Sphere 7 G300 -1.4301 DIN 5401	1.000	ST
16	6.363-597.0	O-Ring seal 5,28 x 1,78	1.000	ST
17	5.332-258.0	Helical spring	1.000	ST
18	6.362-384.0	O-Ring seal 9x1,5 - NBR 70	1.000	ST
19	6.363-613.0	O-Ring seal 4 x 2 -NBR90	1.000	ST
20	4.584-022.0	Valve pin complete	1.000	ST
21	4.769-034.0	Nozzle insert only for replacement	1.000	ST
23	6.362-533.0	O-Ring seal 14,0 X 1,5-NBR 70	3.000	ST
24	4.591-038.0	Overflow valve	1.000	ST
27	5.110-630.0	Sleeve	1.000	ST
28	7.314-629.0	Grooved pin 2x10 -A1 ISO 8742	1.000	ST
29	5.583-147.0	Valve screw	1.000	ST
30	6.362-468.0	O-Ring seal complete 1ST.-R.	1.000	ST
31	4.291-014.0	Spindle complete	1.000	ST
32	5.322-095.0	Handhold yellow RAL 1018	1.000	ST
33	4.744-193.0	Switch complete	1.000	ST
34	5.034-494.0	Retaining bracket	1.000	ST
35	4.401-059.0	Screw connector part	1.000	ST
36	5.364-129.0	Flat gasket	2.000	ST
38	6.421-348.0	Pressure gauge 0-15 MPa	1.000	ST
100	2.883-997.0	PUMP SET HD 5/12 C	1.000	ST



4 Valve (3 Stück) (2.884-916.0)

---

POS	Article no.	Description	Quantity	Unit
15	6.362-077.0	O-Ring seal 10 x 2,2 NBR 70	1.000	ST

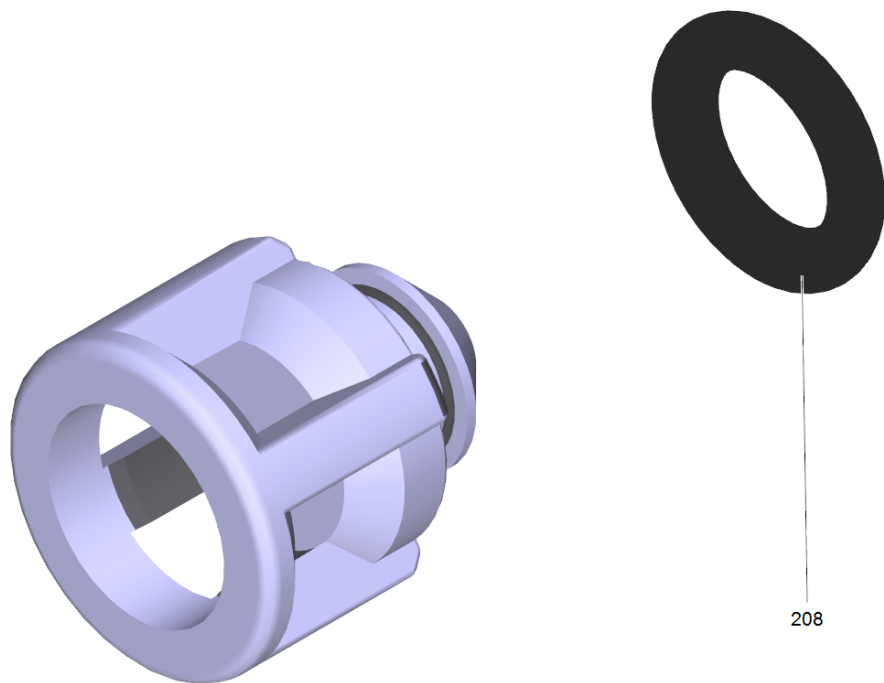


11 Drain plug only for replacement (4.132-007.0)

---

<b>POS</b>	<b>Article no.</b>	<b>Description</b>	<b>Quantity</b>	<b>Unit</b>
18	6.362-458.0	O-Ring seal 11,0x2,0-NBR 70	1.000	ST

---

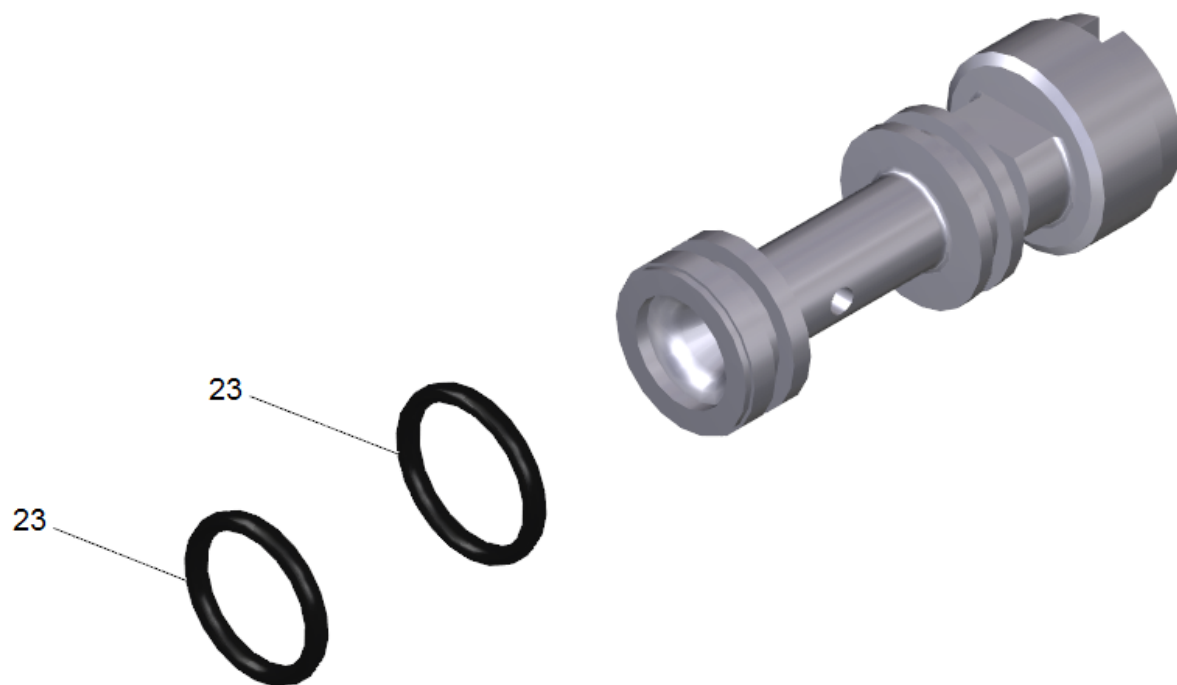


208

20 Valve pin complete (4.584-022.0)

---

<b>POS</b>	<b>Article no.</b>	<b>Description</b>	<b>Quantity</b>	<b>Unit</b>
208	6.363-613.0	O-Ring seal 4 x 2 -NBR90	1.000	ST





21 Nozzle insert only for replacement (4.769-034.0)

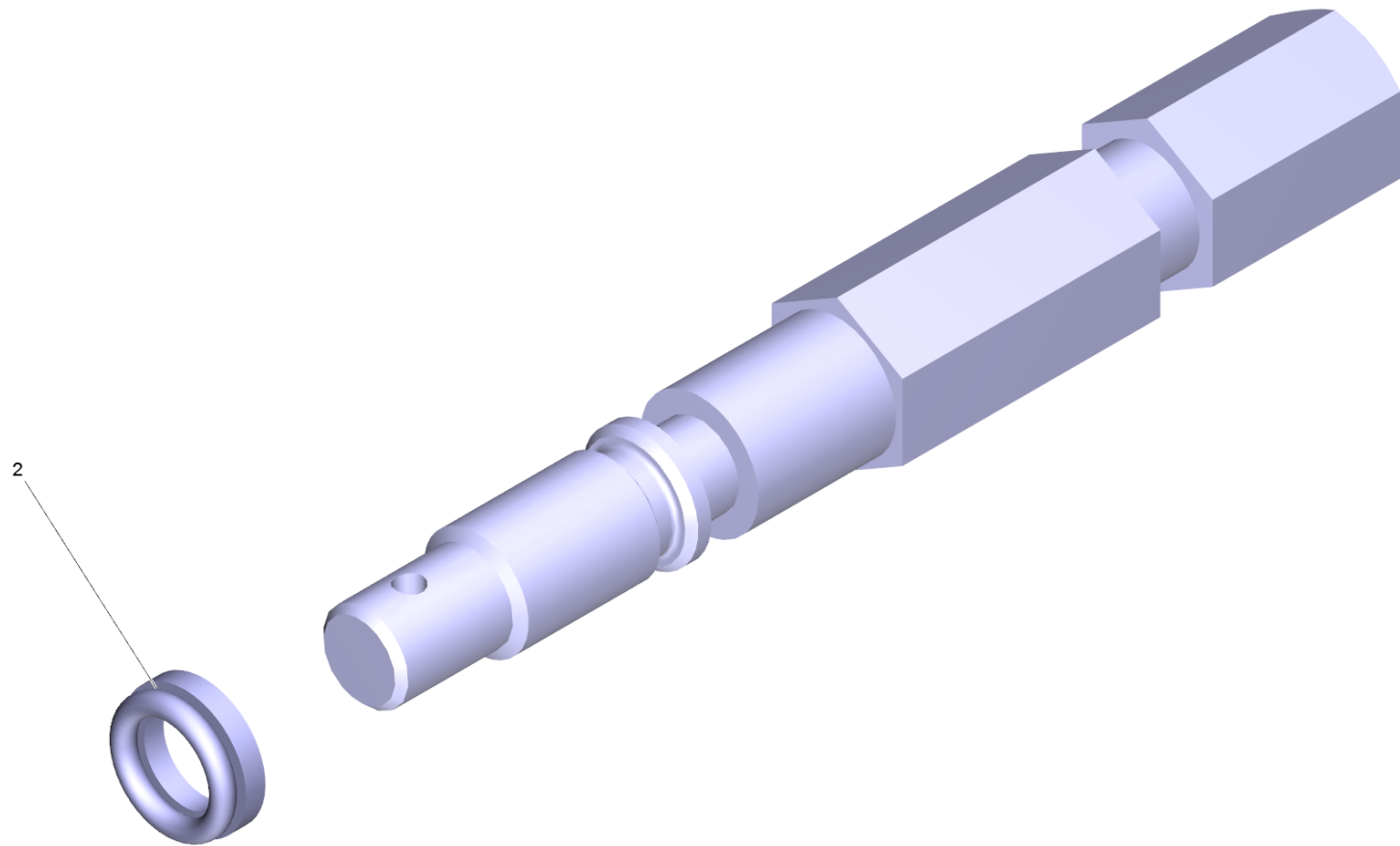
---

<b>POS</b>	<b>Article no.</b>	<b>Description</b>	<b>Quantity</b>	<b>Unit</b>
23	6.362-384.0	O-Ring seal 9x1,5 - NBR 70	2.000	ST

## 24 Overflow valve (4.591-038.0)

---

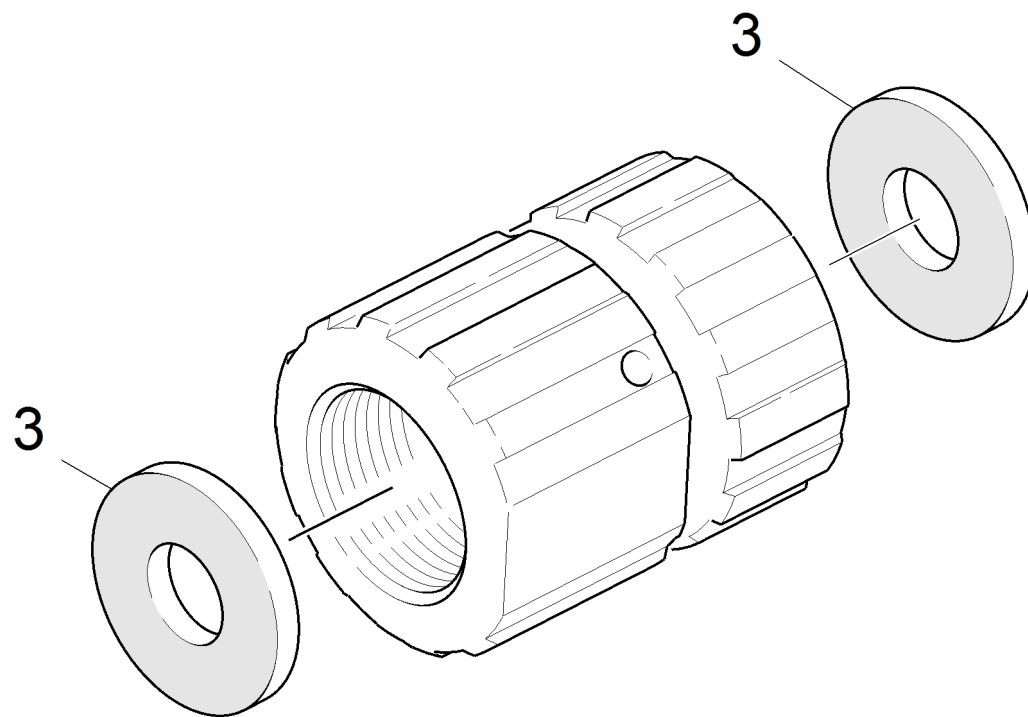
<b>POS</b>	<b>Article no.</b>	<b>Description</b>	<b>Quantity</b>	<b>Unit</b>
14	5.305-264.0	Shaped screw	1.000	ST
20	5.332-425.0	Helical spring	1.000	ST
26	5.553-390.0	Piston	1.000	ST
28	5.581-230.0	Valve seat	1.000	ST
42		Grease PFAE	1.000	KG
44	6.362-169.0	O-Ring seal 12,0 X 2,0	1.000	ST
47	6.362-454.0	O-Ring seal complete 2ST.-R.	1.000	ST



31 Spindle complete (4.291-014.0)

---

<b>POS</b>	<b>Article no.</b>	<b>Description</b>	<b>Quantity</b>	<b>Unit</b>
2	6.362-468.0	O-Ring seal complete 1ST.-R.	1.000	ST

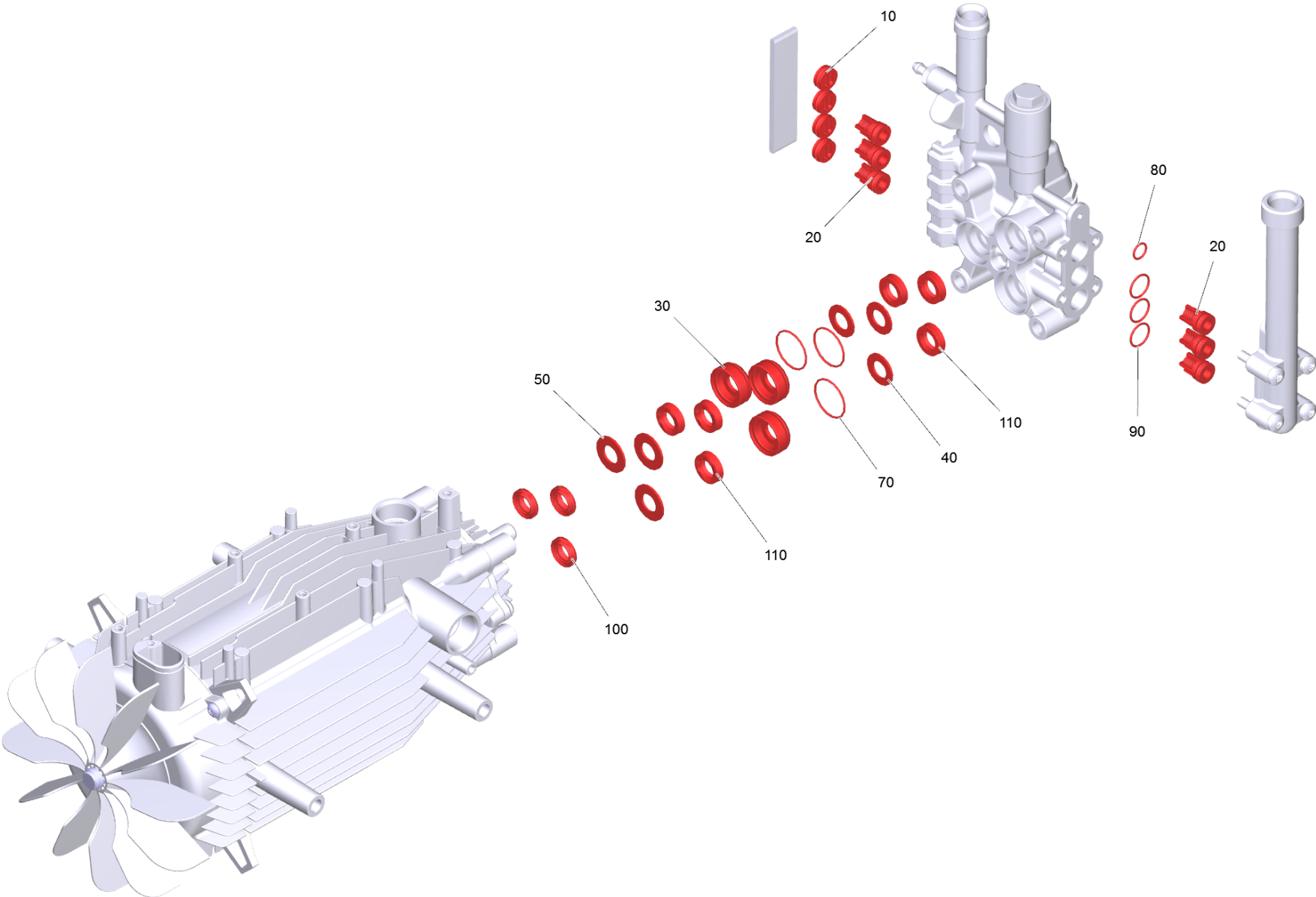


35 Screw connector part (4.401-059.0)

---

<b>POS</b>	<b>Article no.</b>	<b>Description</b>	<b>Quantity</b>	<b>Unit</b>
3	5.364-129.0	Flat gasket	2.000	ST

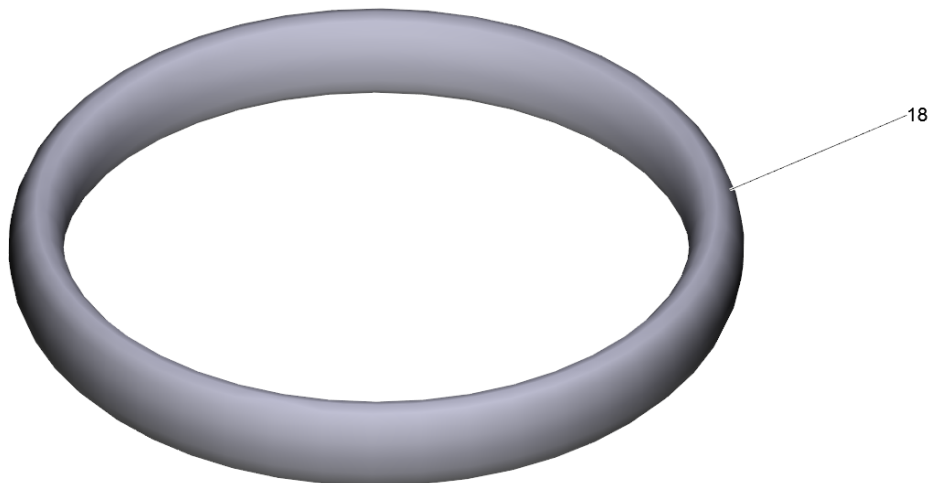
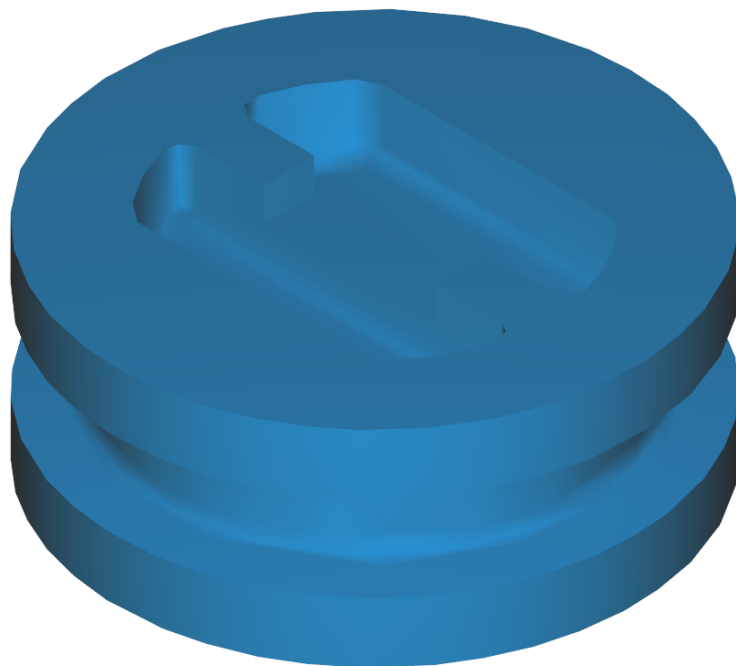
---



## 100 PUMP SET HD 5/12 C (2.883-997.0)

POS	Article no.	Description	Quantity	Unit
10	4.132-007.0	Drain plug only for replacement	4.000	ST
20	2.884-916.0	Valve (3 Stück)	2.000	ST
30	5.112-726.0	Bush	3.000	ST
40	5.115-721.0	Washer	3.000	ST
50	5.116-093.0	Washer	3.000	ST
60	6.288-072.0	Silicon grease	1.000	ST
70	6.362-376.0	O-Ring seal 24,0 X 1,5	3.000	ST
80	6.362-384.0	O-Ring seal 9x1,5 - NBR 70	1.000	ST
90	6.362-533.0	O-Ring seal 14,0 X 1,5-NBR 70	3.000	ST
100	6.365-001.0	Grooved ring 12x20x4/6	3.000	ST
110	6.365-477.0	Grooved ring 12x20x5,3/2,8	6.000	ST



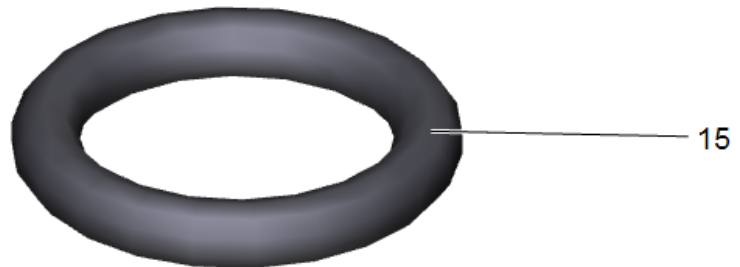
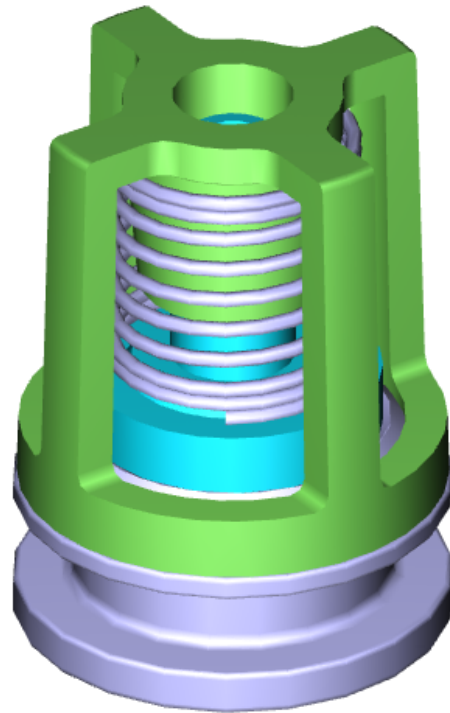


10 Drain plug only for replacement (4.132-007.0)

---

<b>POS</b>	<b>Article no.</b>	<b>Description</b>	<b>Quantity</b>	<b>Unit</b>
18	6.362-458.0	O-Ring seal 11,0x2,0-NBR 70	1.000	ST

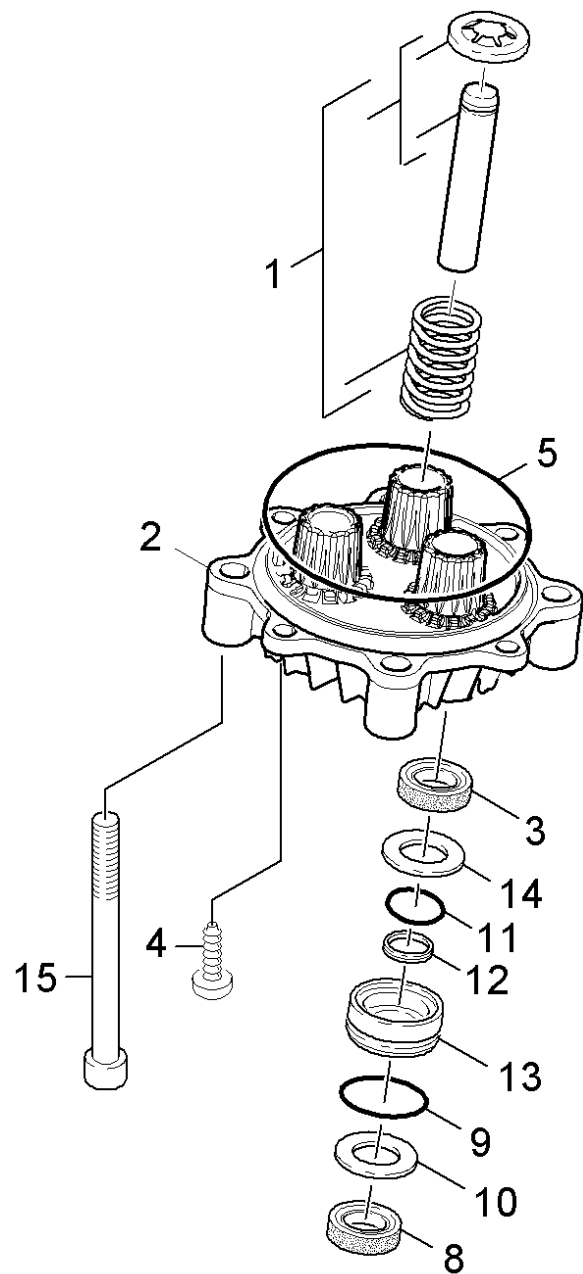
---



20 Valve (3 Stück) (2.884-916.0)

---

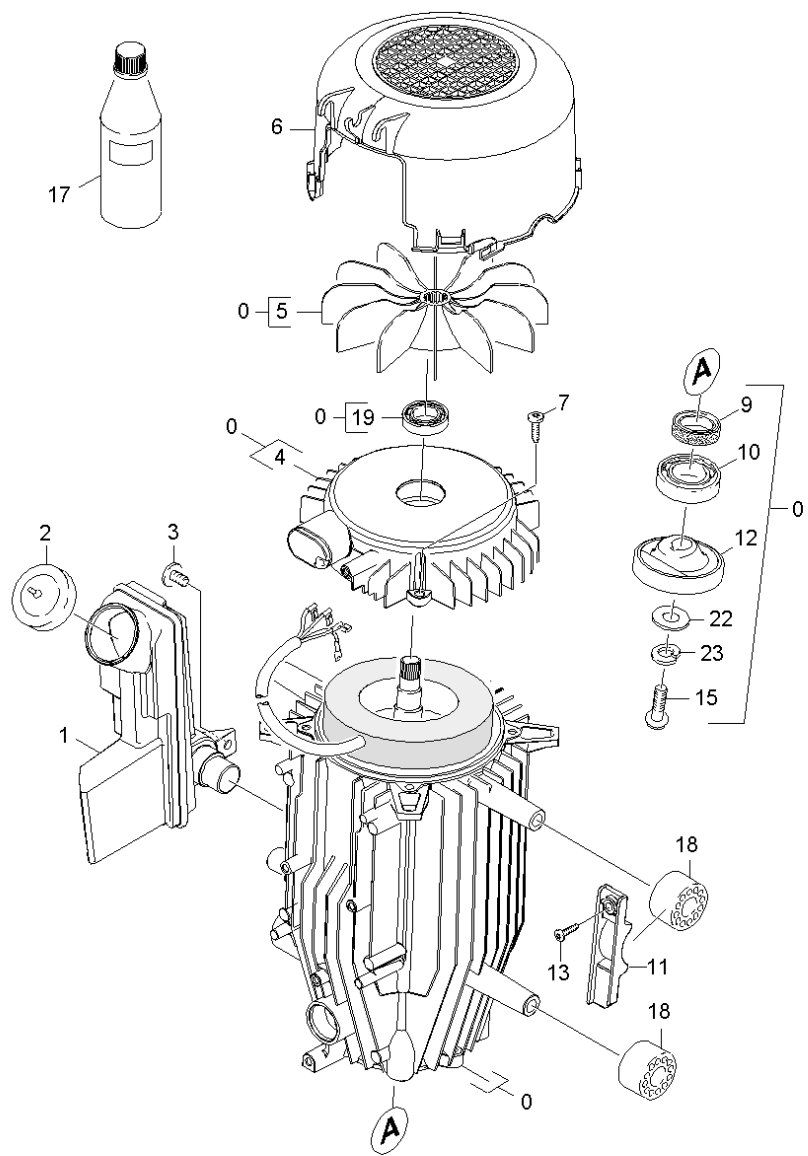
<b>POS</b>	<b>Article no.</b>	<b>Description</b>	<b>Quantity</b>	<b>Unit</b>
15	6.362-077.0	O-Ring seal 10 x 2,2 NBR 70	1.000	ST



## 22 Thrust guidance

---

POS	Article no.	Description	Quantity	Unit
1	4.553-265.0	Piston complete only for replacement	3.000	ST
2	5.061-018.3	Thrust guidance	1.000	ST
3	6.365-001.0	Grooved ring 12x20x4/6	3.000	ST
4	7.303-047.0	Screw M6x16 -St-R3R (In6Rd)	2.000	ST
5	6.363-077.0	O-Ring seal 75x3	1.000	ST
9	6.362-376.0	O-Ring seal 24,0 X 1,5	3.000	ST
10	5.115-721.0	Washer	3.000	ST
11	6.363-402.0	O-Ring seal 11x3 NBR	3.000	ST
12	5.362-012.0	Joint ring D 12	3.000	ST
13	5.112-825.0	Bush	3.000	ST
14	5.116-335.0	Washer	3.000	ST
15	7.306-106.0	Cylinder head screw M8x70 -8.8-A2E ISO4	4.000	ST



## 30 Motor

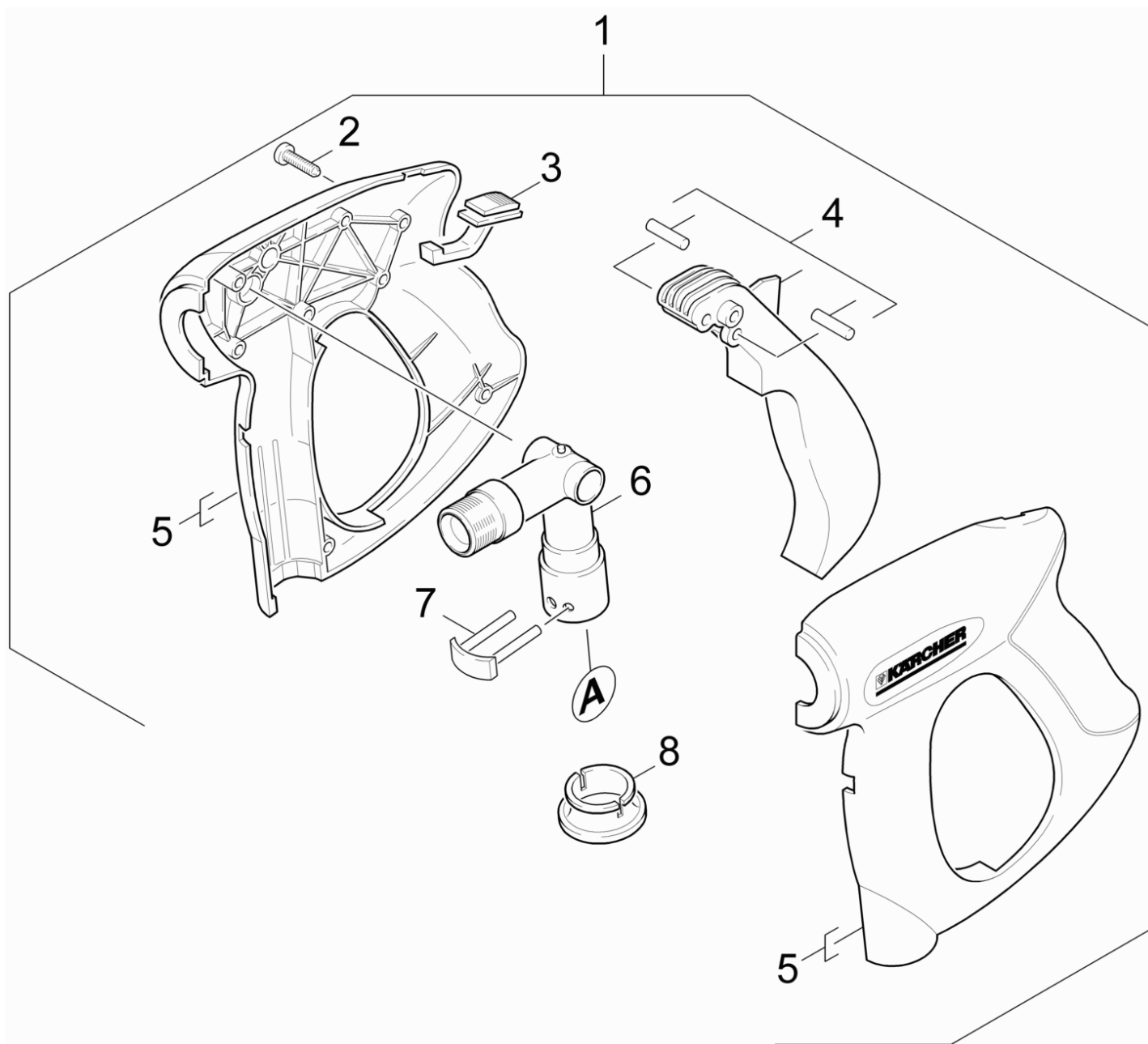
POS	Article no.	Description	Quantity	Unit
0	4.623-858.0	Motor complete only for replacement	1.000	ST
1	5.070-639.0	Tank oil	1.000	ST
2	5.064-457.0	cover plate qusty grey oil	1.000	ST
3	6.303-153.0	Screw M5x15-ST-R2R (IN6RD)	1.000	ST
4	5.064-197.0	Bearing cover B	1.000	ST
5	5.600-060.0	Blower wheel	1.000	ST
6	5.692-081.0	Air circulation	1.000	ST
7	6.303-320.0	Screw M 5x 20-St-R2R	4.000	ST
9	7.367-001.0	Radial shaft seal ring A24x37x7 -NBR DI	1.000	ST
10	6.401-410.0	Angular contact ball bearing	1.000	ST
11	5.802-288.0	Mounting part	2.000	ST
12	4.120-219.0	Wobble plate complete	1.000	ST
13	7.303-108.0	Screw 5x20 -10.9-R2R (In6Rd)	2.000	ST
15	7.306-042.0	Cylinder head screw M8x25 -8.8-A2E ISO4	1.000	ST
17	6.288-219.0	Engine oil 1 L	1.000	ST
18	5.767-005.0	Rubber buffer	4.000	ST
19	7.401-128.0	Ball bearing 6202-2RS -Wälzl.St DIN 625	1.000	ST
22	7.312-277.0	Washer 8-200HV-A2E ISO7093-1	1.000	ST
23	7.313-004.0	Spring washer B 8-FSt-A3E DIN 127	1.000	ST



## 40 Accessories

---

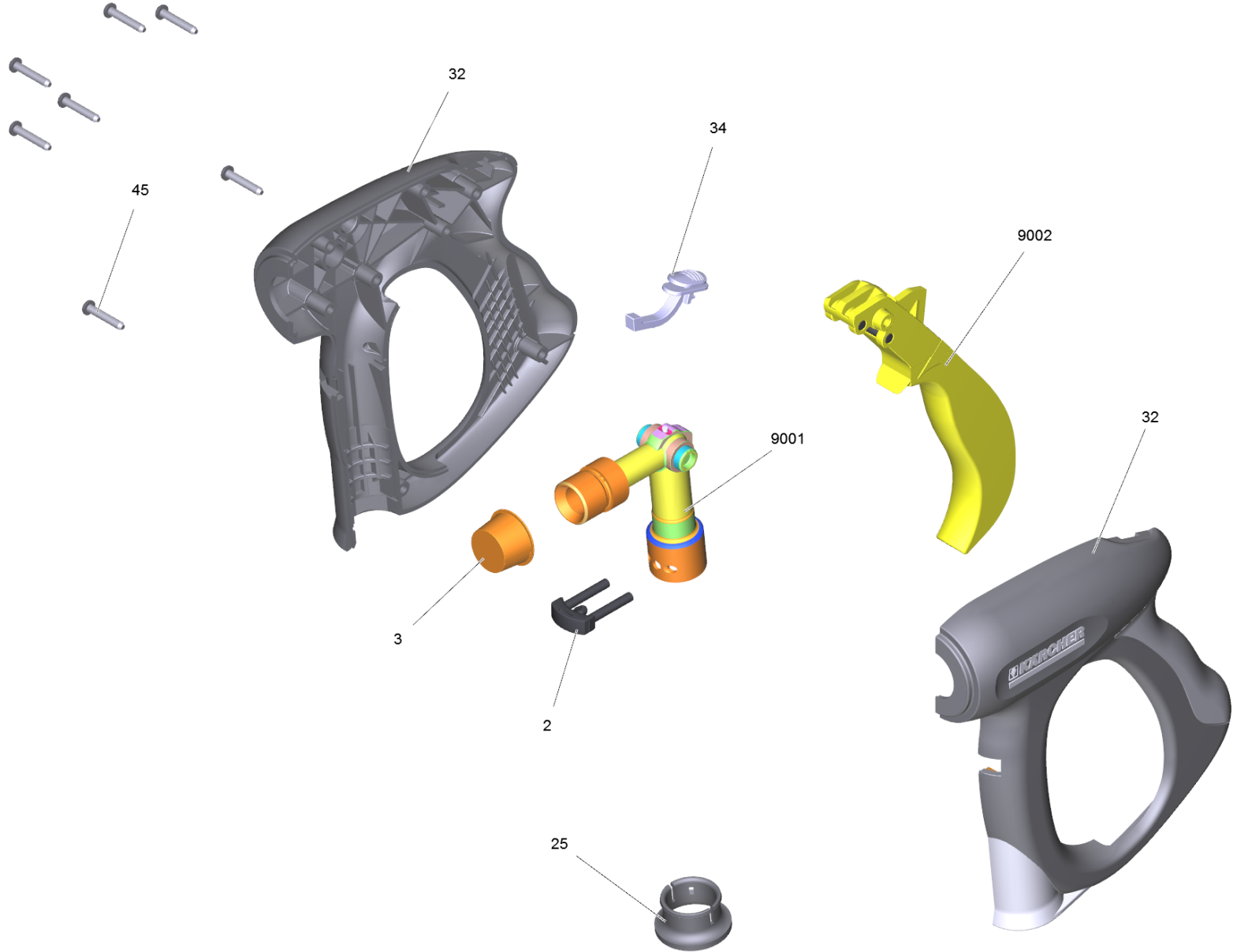
<b>POS</b>	<b>Description</b>	<b>Quantity</b>	<b>Unit</b>
41	Hand trigger gun	1.000	ST
42	High pressure hose	1.000	ST
43	Jet pipe	1.000	ST
44	Triple jet nozzle	1.000	ST



## 41 Hand trigger gun

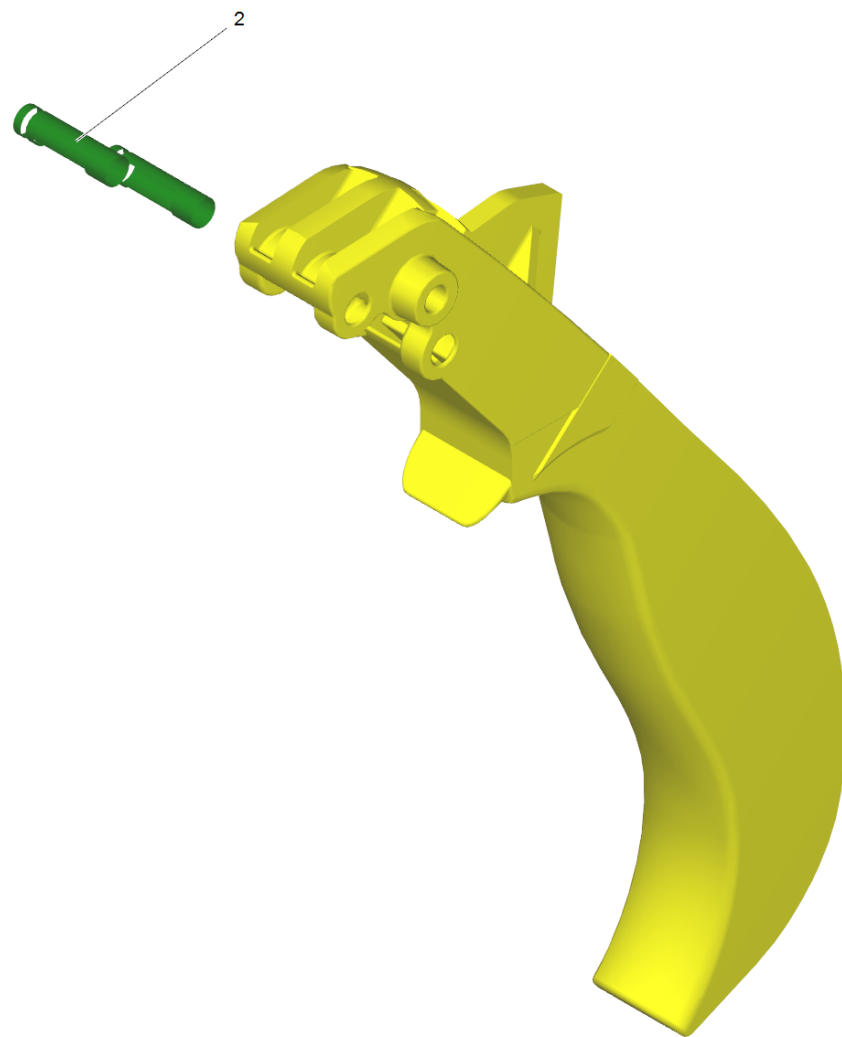
---

POS	Article no.	Description	Quantity	Unit
1	4.775-463.0	HAND TRIGGER GUN EASY PRESS	1.000	ST
2	7.303-096.0	Screw 4x22 -ST-10.9-R2R (IN6RD)	7.000	ST
3	5.481-331.0	Slider	1.000	ST
4	4.481-209.0	Lever complete	1.000	ST
5	5.321-669.3	Handhold few	1.000	ST
6	4.427-215.0	Manifold complete only for replacement	1.000	ST
7	4.037-013.0	Hook	1.000	ST
8	5.110-596.0	Sleeve	1.000	ST



## 1 HAND TRIGGER GUN EASY PRESS (4.775-463.0)

POS	Article no.	Description	Quantity	Unit
2	4.037-013.0	Hook	1.000	ST
3	6.368-012.0	Protecting cap 22X1,5	1.000	ST
4	6.869-075.0	Metal bonding agent 1,5 ml	1.000	ST
25	5.110-596.0	Sleeve	1.000	ST
32	5.321-669.3	Handhold few	1.000	ST
34	5.481-331.0	Slider	1.000	ST
45	7.303-096.0	Screw 4x22 -ST-10.9-R2R (IN6RD)	7.000	ST
1041	6.288-044.0	Silicon grease 100 G	1.000	ST
9001	4.427-215.0	Manifold complete only for replacement	1.000	ST
9002	4.481-209.0	Lever complete	1.000	ST

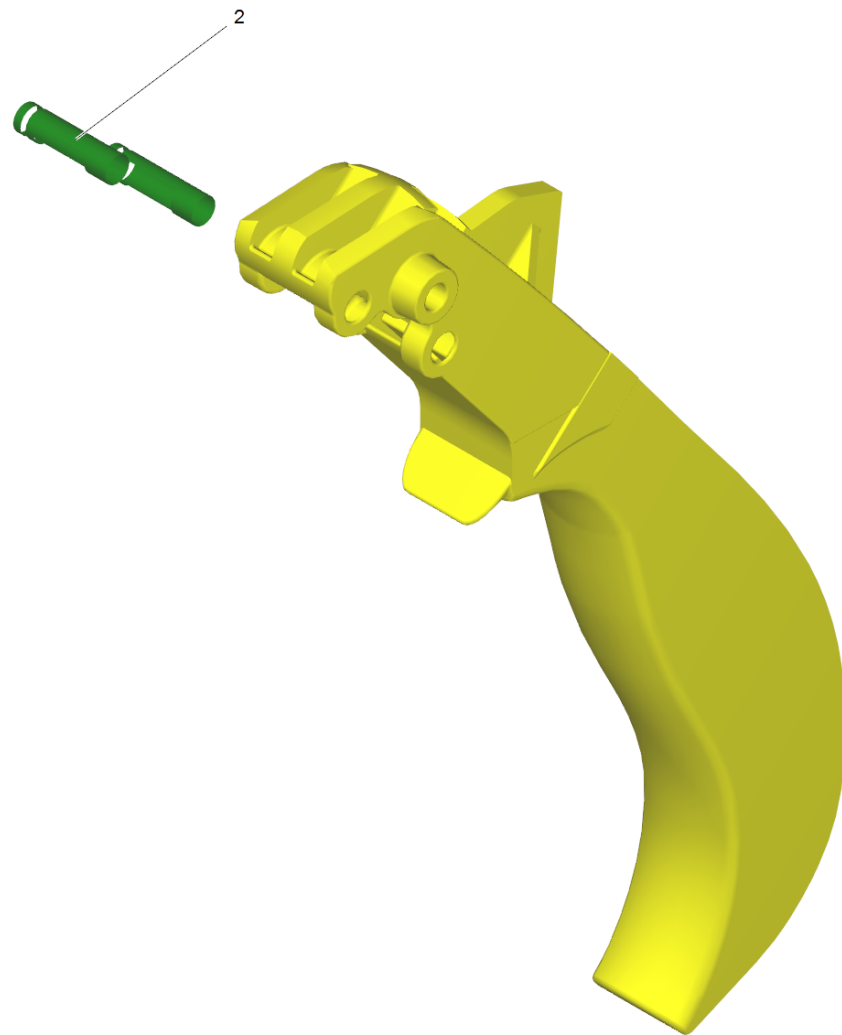


9002 Lever complete (4.481-209.0)

---

<b>POS</b>	<b>Article no.</b>	<b>Description</b>	<b>Quantity</b>	<b>Unit</b>
2	5.314-119.0	Pin	2.000	ST

---

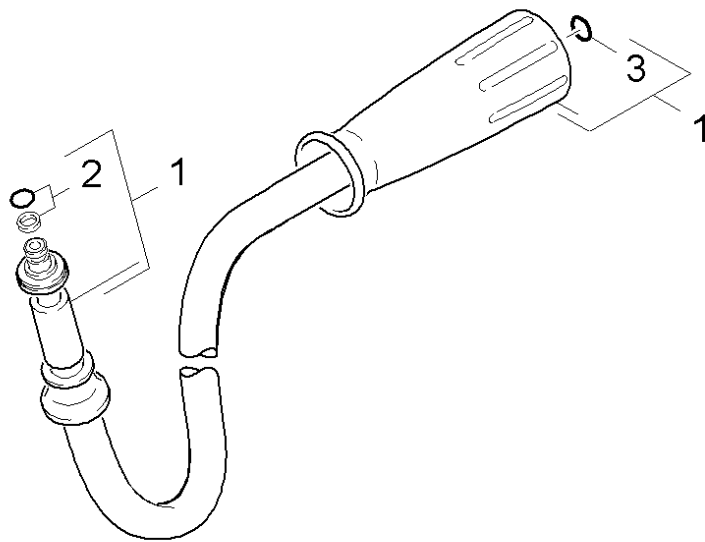




4 Lever complete (4.481-209.0)

---

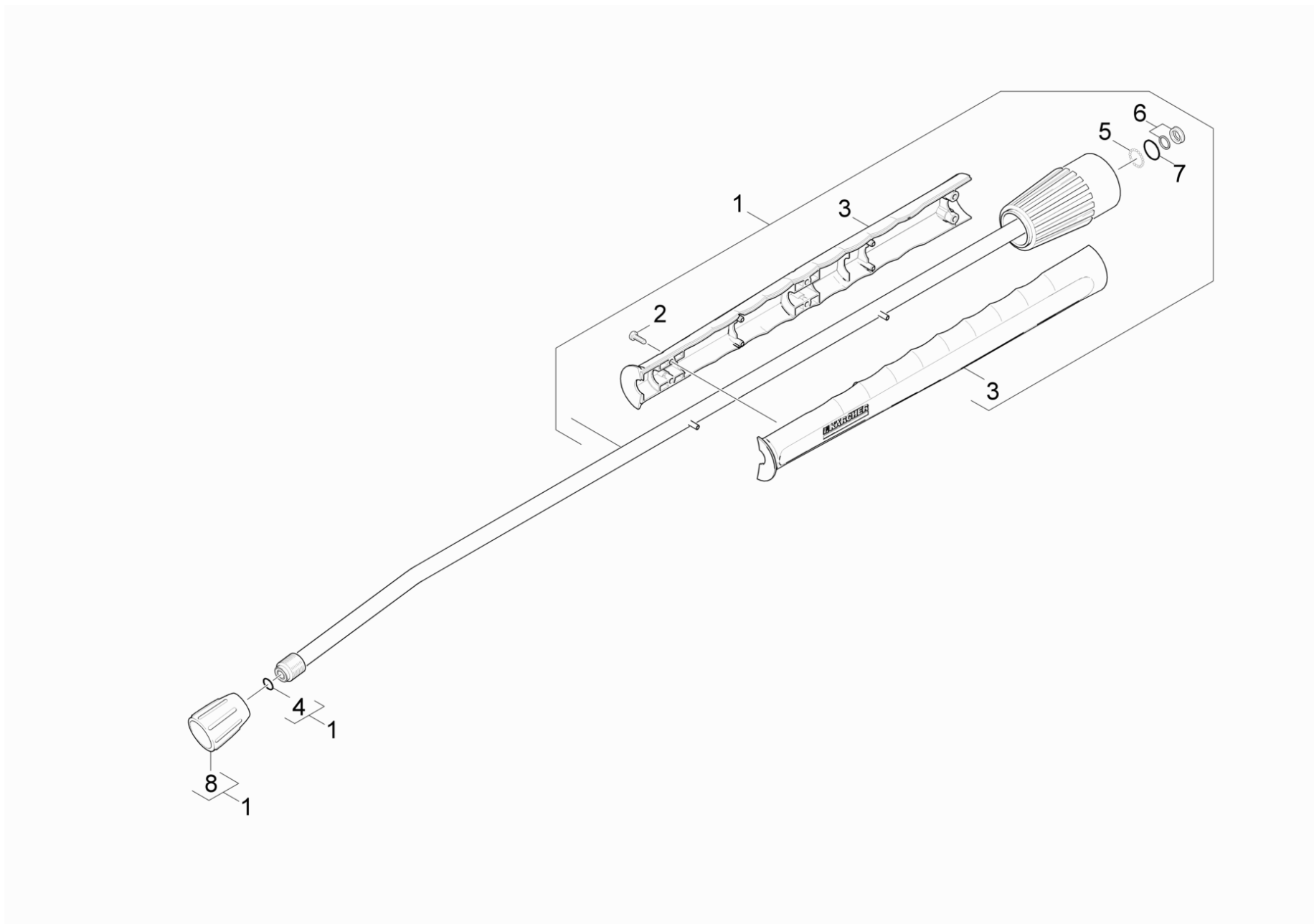
POS	Article no.	Description	Quantity	Unit
2	5.314-119.0	Pin	2.000	ST



## 42 High pressure hose

---

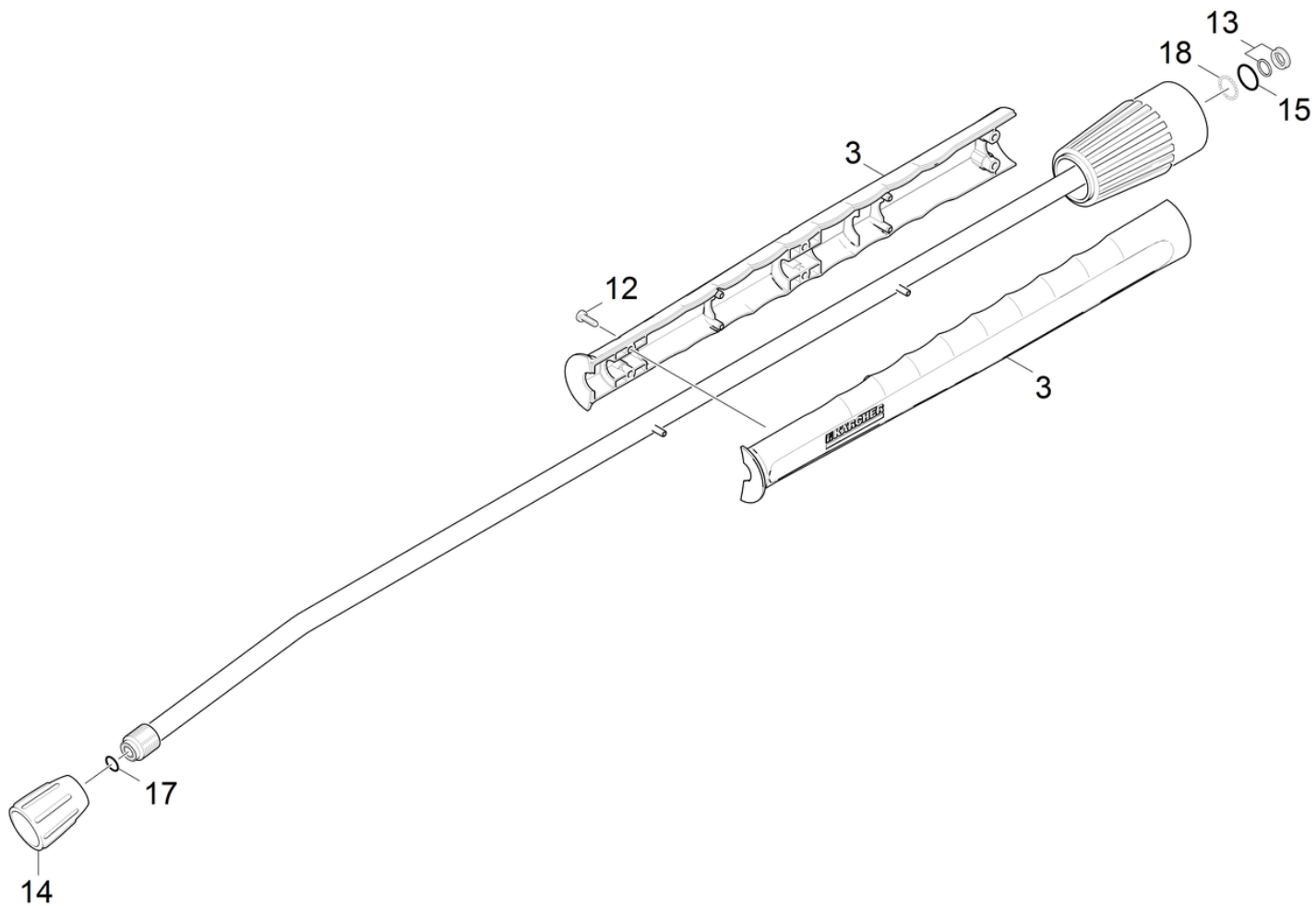
POS	Article no.	Description	Quantity	Unit
1	6.391-654.0	Hose assembly standard hygiene 15m DN6 2	1.000	ST
2	4.363-691.0	O-Ring seal kpl. -nur fuer Ersatz-	1.000	ST
3	2.880-990.0	Spare part set O-Ring 5x -Kaercher	1.000	ST



## 43 Jet pipe

---

POS	Article no.	Description	Quantity	Unit
1	4.760-663.0	Jet pipe packaged only for replacement	1.000	ST
2	7.303-129.0	Screw 4x16 -10.9-R2R (K-In6Rd)	6.000	ST
3	5.321-855.0	Handhold few jet pipe with welding bolt	1.000	ST
4	2.880-990.0	Spare part set O-Ring 5x -Kaercher	1.000	ST
5	7.401-915.0	Sphere 2,5 G40 -1.4034 DIN 5401	20.000	ST
6	4.363-692.0	Grooved ring kpl. -nur fuer Ersatz-	1.000	ST
7	6.362-524.0	O-Ring seal 17,0 X 1,5	1.000	ST
8	5.401-210.0	Screw connector part	1.000	ST



1 Jet pipe packaged only for replacement (4.760-663.0)

---

POS	Article no.	Description	Quantity	Unit
3	5.321-855.0	Handhold few jet pipe with welding bolt	1.000	ST
12	7.303-129.0	Screw 4x16 -10.9-R2R (K-In6Rd)	6.000	ST
13	4.363-692.0	Grooved ring kpl. -nur fuer Ersatz-	1.000	ST
14	5.401-210.0	Screw connector part	1.000	ST
15	6.362-524.0	O-Ring seal 17,0 X 1,5	1.000	ST
17	7.362-501.0	O-Ring seal 10x2 EPDM 70 DIN 3770	1.000	ST
18	7.401-915.0	Sphere 2,5 G40 -1.4034 DIN 5401	20.000	ST

14 Screw connector part (5.401-210.0)

---

<b>POS</b>	<b>Description</b>	<b>Quantity</b>	<b>Unit</b>
10	SCREW CONNECTOR PART	1.000	ST

---

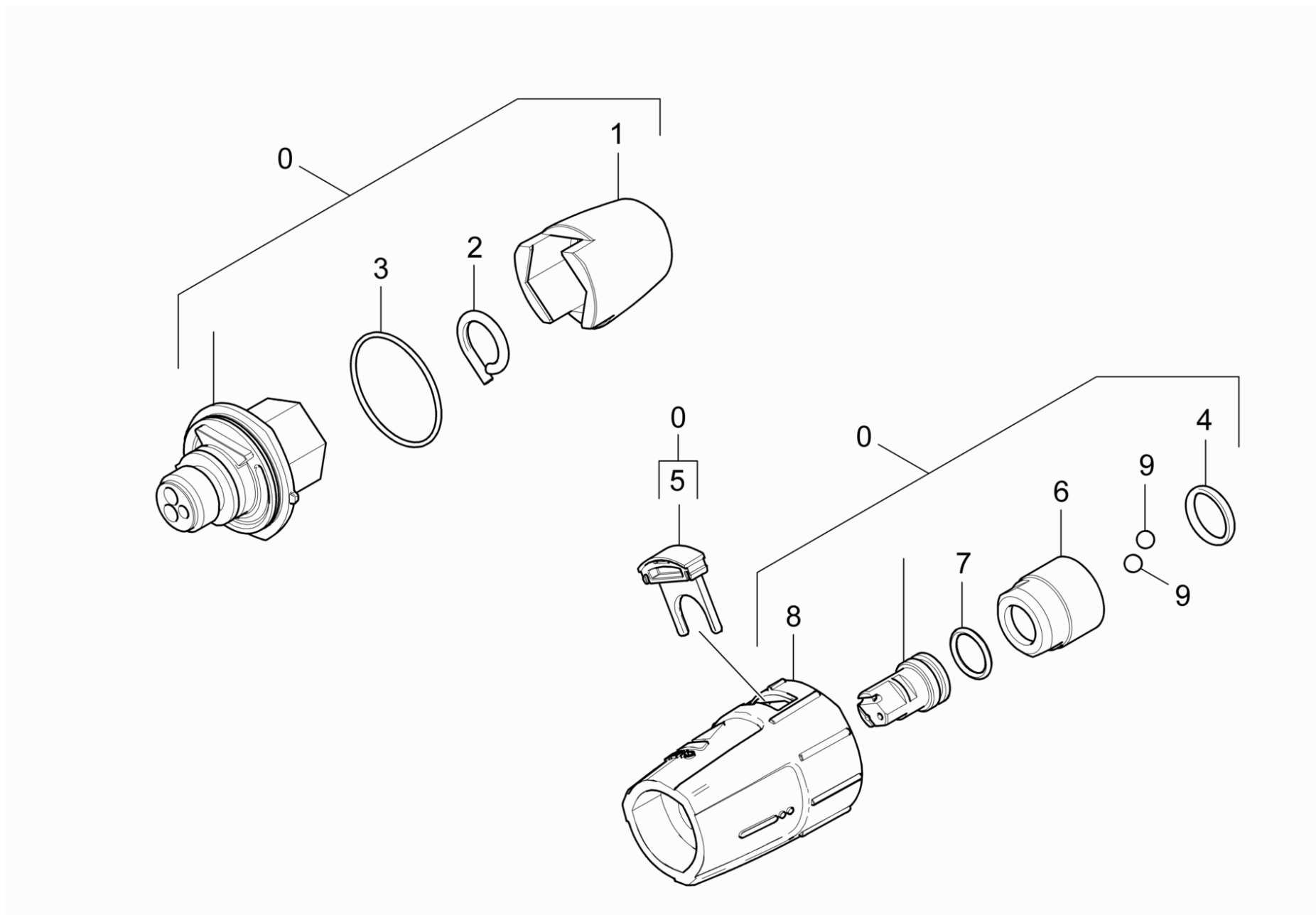


8 Screw connector part (5.401-210.0)

---

POS	Description	Quantity	Unit
10	SCREW CONNECTOR PART	1.000	ST

---



#### 44 Triple jet nozzle

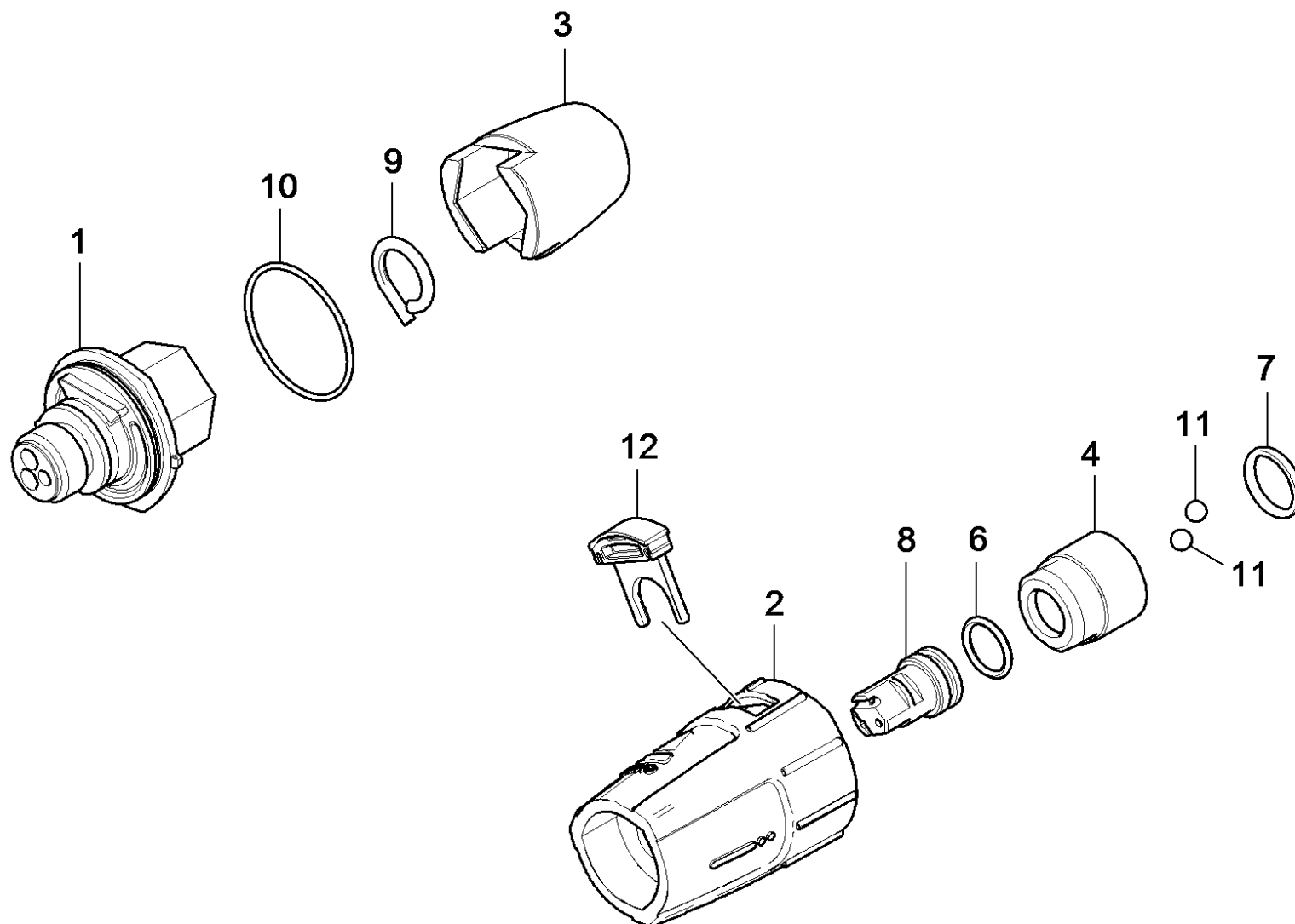
---

<b>POS</b>	<b>Article no.</b>	<b>Description</b>	<b>Quantity</b>	<b>Unit</b>
0	4.767-150.0	Triple jet nozzle only for replacement 0	1.000	ST
1	5.394-530.0	Protection part complete	1.000	ST
2	6.343-150.0	Pin 03	1.000	ST
3	6.362-409.0	O-Ring seal 32,0 X 1,5	1.000	ST
4	6.362-460.0	O-Ring seal 14,0 X 2,5-NBR 70	1.000	ST
5	5.321-884.0	Clamp	1.000	ST
6	5.311-225.0	Nut	1.000	ST
7	6.362-480.0	O-Ring seal 12,42x 1,78	1.000	ST
8	5.394-859.0	Protection part	1.000	ST
9	7.401-902.0	Sphere 5 G20 -1.4034 DIN 5401	2.000	ST

Triple jet nozzle only for replacement 0 (4.767-150.0)

---

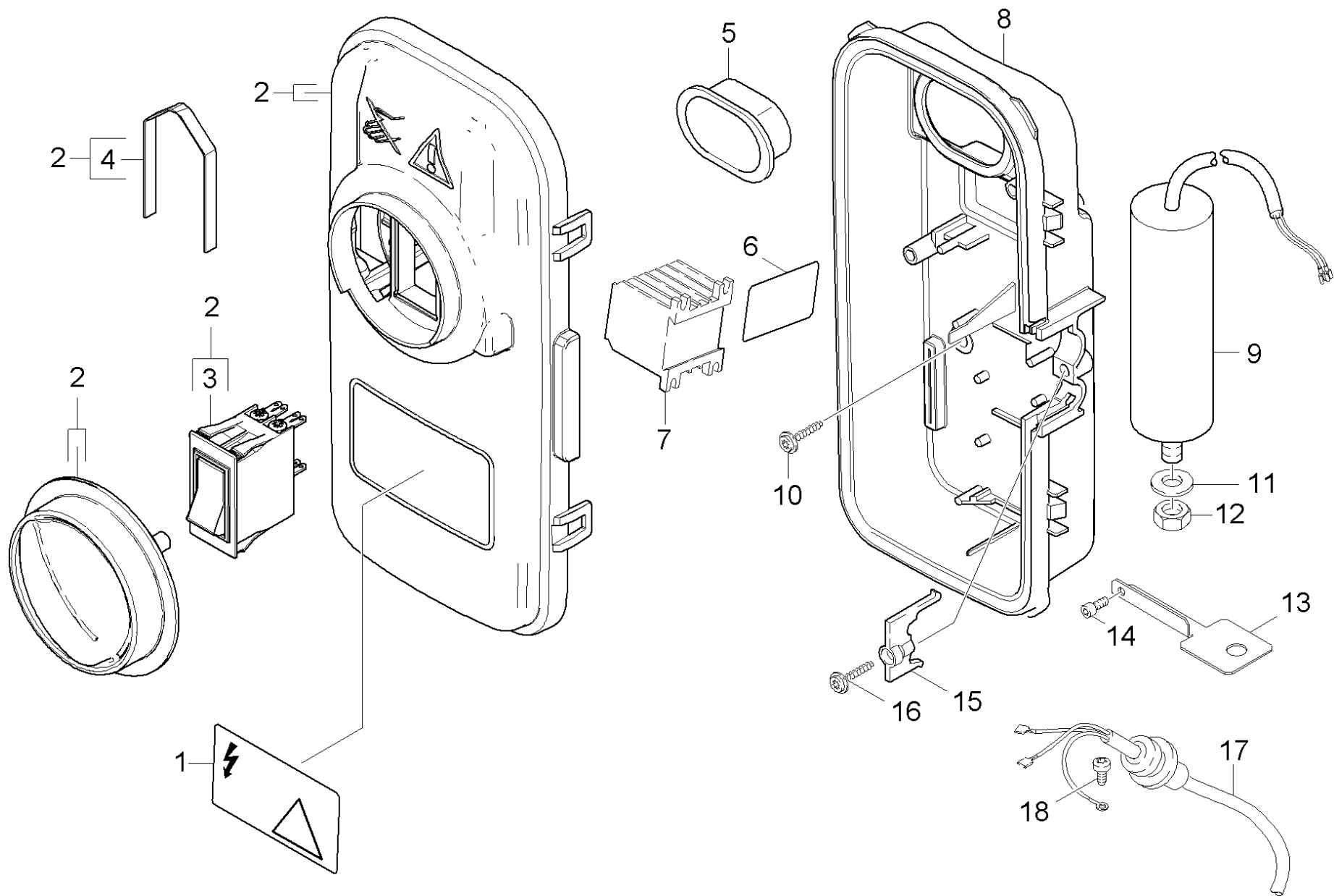
<b>POS</b>	<b>Article no.</b>	<b>Description</b>	<b>Quantity</b>	<b>Unit</b>
1	4.767-136.0	Triple jet nozzle 040	1.000	ST



## 1 Triple jet nozzle 040 (4.767-136.0)

---

POS	Article no.	Description	Quantity	Unit
2	5.394-859.0	Protection part	1.000	ST
3	5.394-530.0	Protection part complete	1.000	ST
4	5.311-225.0	Nut	1.000	ST
6	6.362-480.0	O-Ring seal 12,42x 1,78	1.000	ST
7	6.362-460.0	O-Ring seal 14,0 X 2,5-NBR 70	1.000	ST
8	5.415-603.0	Triple jet nozzle 040	1.000	ST
9	6.343-150.0	Pin 03	1.000	ST
10	6.362-409.0	O-Ring seal 32,0 X 1,5	1.000	ST
11	7.401-902.0	Sphere 5 G20 -1.4034 DIN 5401	2.000	ST
12	5.321-884.0	Clamp	1.000	ST



## 50 Electric box

POS	Article no.	Description	Quantity	Unit
1	5.388-512.0	Label	1.000	ST
2	4.744-009.0	Switch complete only for replacement	1.000	ST
3	6.632-412.0	Switch 14 A	1.000	ST
4	5.263-085.0	Tensioning part	1.000	ST
5	5.365-181.0	Profile gasket	1.000	ST
6	5.048-251.0	Plate	1.000	ST
7	6.632-422.0	Contacteur 7,5 kW / 115 V	1.000	ST
8	5.061-598.0	Housing electric control box	1.000	ST
9	6.661-274.0	Capacitor 100 µF	1.000	ST
10	6.303-153.0	Screw M5x15-ST-R2R (In6RD)	3.000	ST
11	7.312-054.0	Washer 12-A2 ISO 7089	1.000	ST
12	7.311-071.0	Hexagon nut M12-A2-70 ISO 4032	1.000	ST
13	5.043-069.0	Holder for capacitor	1.000	ST
14	7.303-037.0	Screw M5x10 -St-P2R (In6Rd)	1.000	ST
15	5.263-002.0	Tensioning part	1.000	ST
16	7.303-109.0	Screw 5x25 -10.9-R2R (In6Rd)	1.000	ST
17	6.650-270.0	Cable with plug GFCI	1.000	ST
18	7.303-031.0	Screw M4x10 -St-P2R (In6Rd)	1.000	ST