

## **Spare parts list**

(1.064-907.0) HDS 1.7/12 U Ed

## Table of contents

---

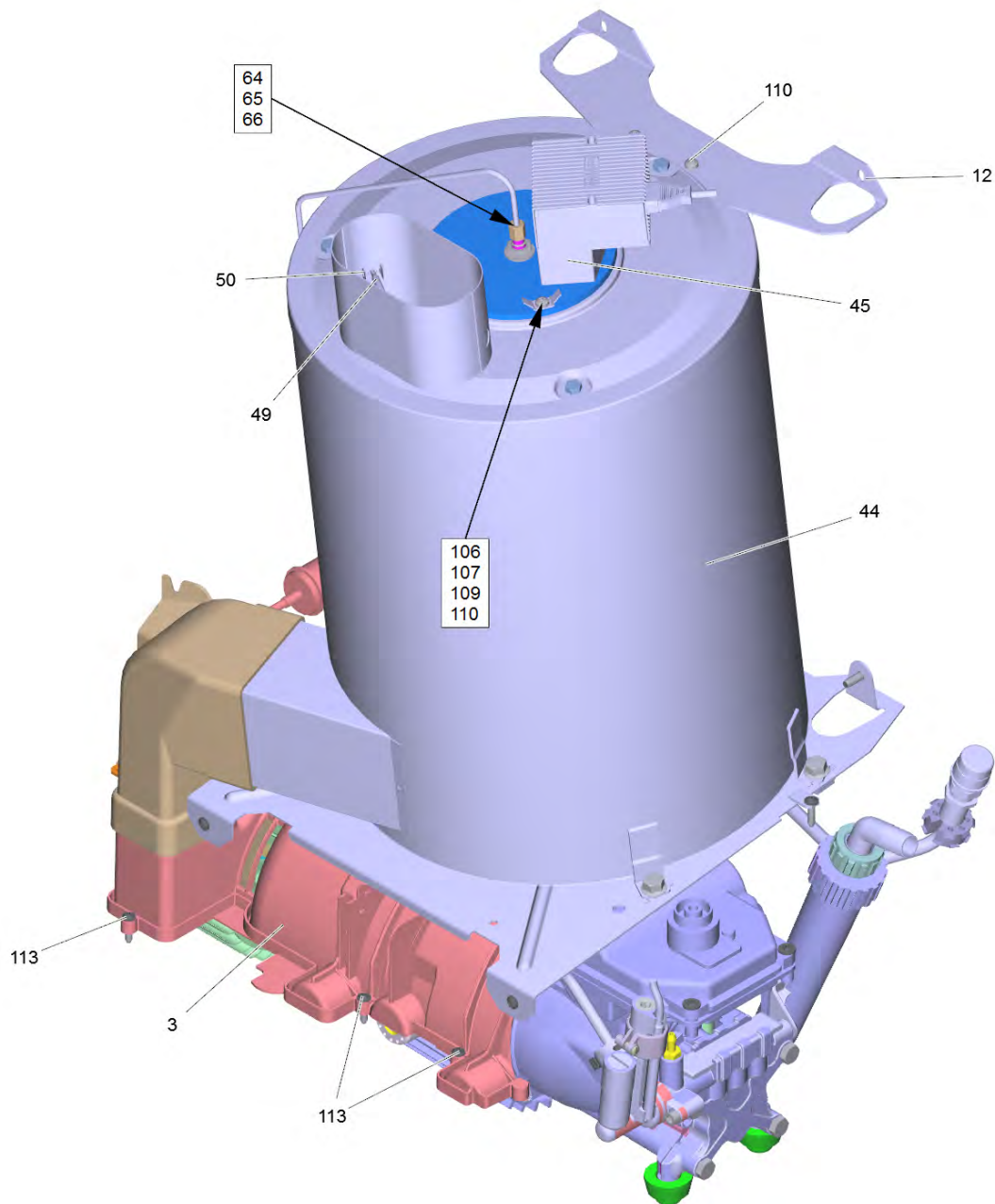
HDS 1.7/12 U Ed (1.064-907.0)	3
Spare parts list HDS 1.7/12 U Ed (5.974-271.0)	4
33 Motor pump HDS 1.7/12 U Ed	11
1 Piston guidance	13
26 Moulded part complete only for replaceme (4.030-069.0)	15
2 Cylinder head	17
13 Valve (3 Stück) (2.884-916.0)	19
14 Suction valve complete (4.580-308.0)	21
22 Joining piece only for replacement (4.030-125.0)	23
36 Drain plug only for replacement (4.132-007.0)	25
56 Valve pin complete (4.584-022.0)	27
70 Nozzle insert only for replacement (4.769-034.0)	29
999 Spare part set chemistry (2.883-862.0)	31
4 Safety system	33
16 Electric box complete (4.800-852.0)	35
901 Motor complete only for replacement (4.624-097.0)	37
1 Motor complete 117x100 120V 1~ 60Hz	39
44 Boiler	41
1 Vessel mantel complete (4.652-152.0)	43
2 Bottom pressure boiler (4.655-044.0)	45
45 Burner complete	47
2 Conversion kit ignition electrode (2.638-974.0)	49
53 Set mounting parts	51
54 Screw connector part (4.401-059.0)	53
902 Jet pipe TR 840 mm (4.112-006.0)	55
1 Jet pipe TR 840 mm	56
903 Triple jet nozzle TR 032 (4.117-027.0)	58
1 Triple jet nozzle TR 032	59
904 EASY!Force Advanced (4.118-005.0)	61
1 Hand trigger gun TR EH 155	62
9000 Spare part set lever (2.885-483.0)	64
907 Hose assembly TR DN6 25MPa 10m (6.110-034.0)	66

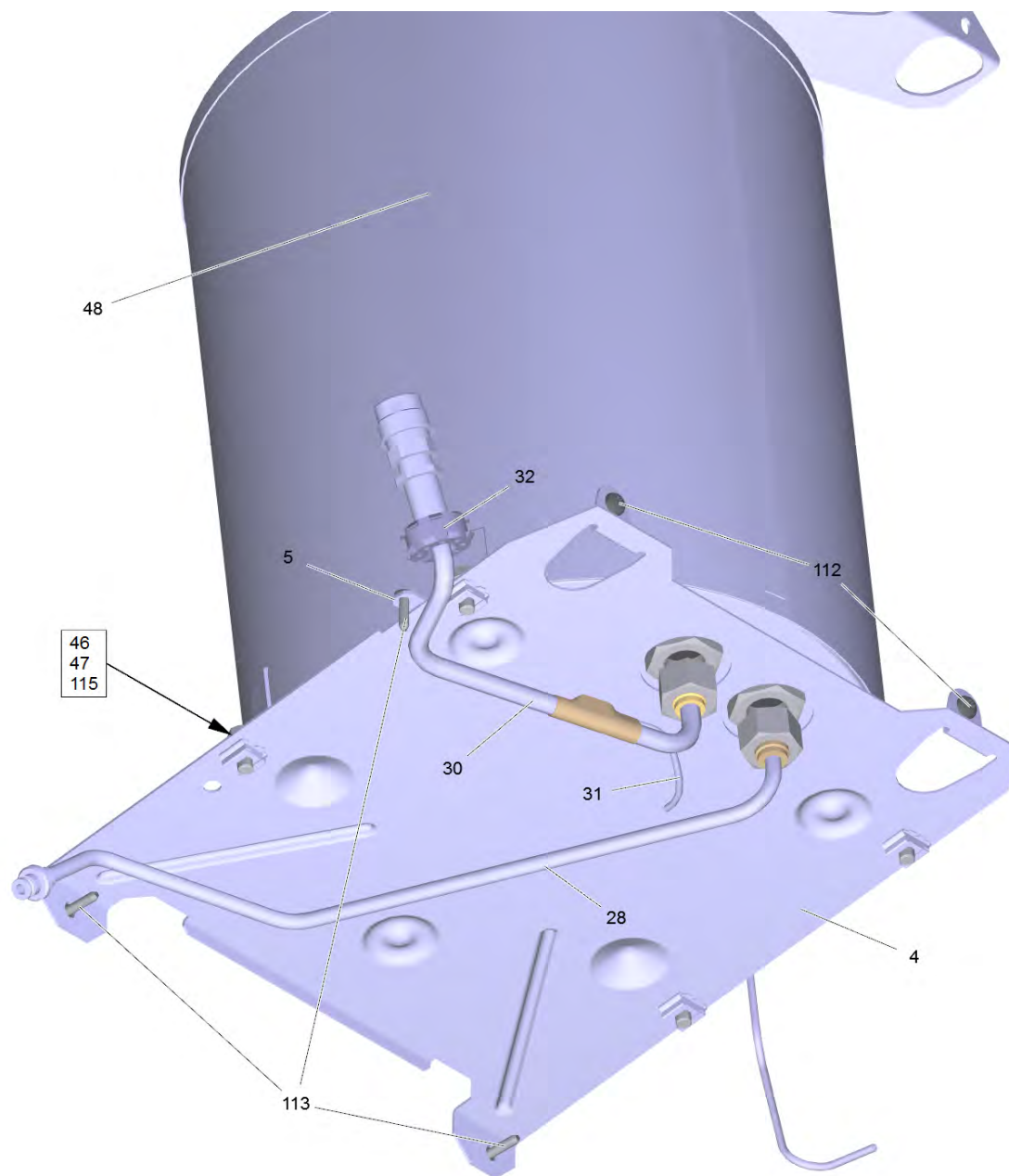
HDS 1.7/12 U Ed (1.064-907.0)

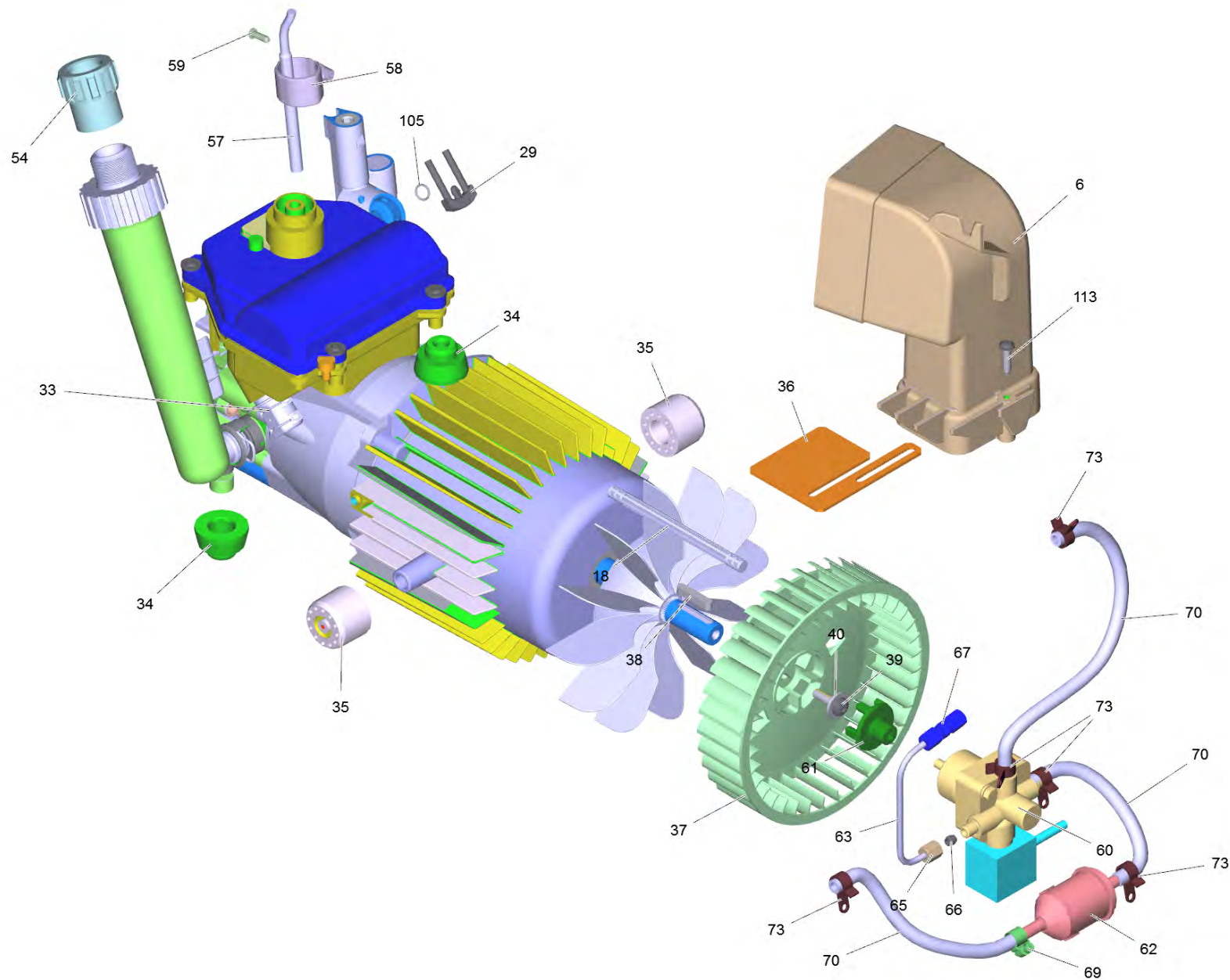
---

<b>POS</b>	<b>Article no.</b>	<b>Description</b>	<b>Quantity</b>	<b>Unit</b>
0	5.974-271.0	Spare parts list HDS 1.7/12 U Ed	1.000	ST









Spare parts list HDS 1.7/12 U Ed (5.974-271.0)

POS	Article no.	Description	Quantity	Unit	Foot note text
2	5.033-556.0	Chassis HDS upright	1.000	ST	
3	5.692-103.0	Air circulation HDS upright	1.000	ST	
4	5.010-349.0	Bottom plate HDS upright	1.000	ST	
5	5.503-018.0	Plate quick lock	1.000	ST	
6	5.409-613.0	Adapter for blower	1.000	ST	
7	5.321-751.0	Handhold	1.000	ST	
8	5.044-987.0	Holder jet pipe	1.000	ST	
9	5.107-291.0	Bar shearing shackle HDS upright U	2.000	ST	
10	5.065-732.0	Rear panel HDS upright	1.000	ST	
12	5.010-350.0	Plate shearing shackle	1.000	ST	
18	5.027-215.0	Rod	1.000	ST	
19	5.071-215.0	Tank fuel HDS upright	1.000	ST	
22	5.731-039.0	Filter	1.000	ST	
24	2.889-086.0	Set wheel cap	1.000	ST	
25	5.105-649.0	Wheel axle HDS upright	1.000	ST	
26	6.343-162.0	Lock washer -25	2.000	ST	
27	5.057-062.0	Support	1.000	ST	
28	4.422-953.0	Pipelines complete HDS upright	1.000	ST	
29	4.037-013.0	Hook	1.000	ST	
30	4.422-127.3	Pipelines complete HDS-U	1.000	ST	
31	6.686-525.0	Cable temperature limiter	1.000	ST	
32	5.767-023.0	Rubber buffer	1.000	ST	
33		Motor pump HDS 1.7/12 U Ed	1.000	ST	
34	5.767-016.0	Rubber buffer	3.000	ST	
35	5.767-005.0	Rubber buffer	2.000	ST	
36	5.606-010.0	Air flap HDS upright	1.000	ST	
37	5.600-062.0	Blower wheel	1.000	ST	
38	7.318-005.0	Parallel key 5x5x28-C45K DIN 6885	1.000	ST	
39	6.304-145.0	Screw M 6X20-R3R (IN6RD)	1.000	ST	
40	7.312-276.0	Washer 6 -200HV-A2E ISO7093-1	1.000	ST	
44		Boiler	1.000	ST	
45		Burner complete	1.000	ST	
46	5.044-420.0	Holder	4.000	ST	

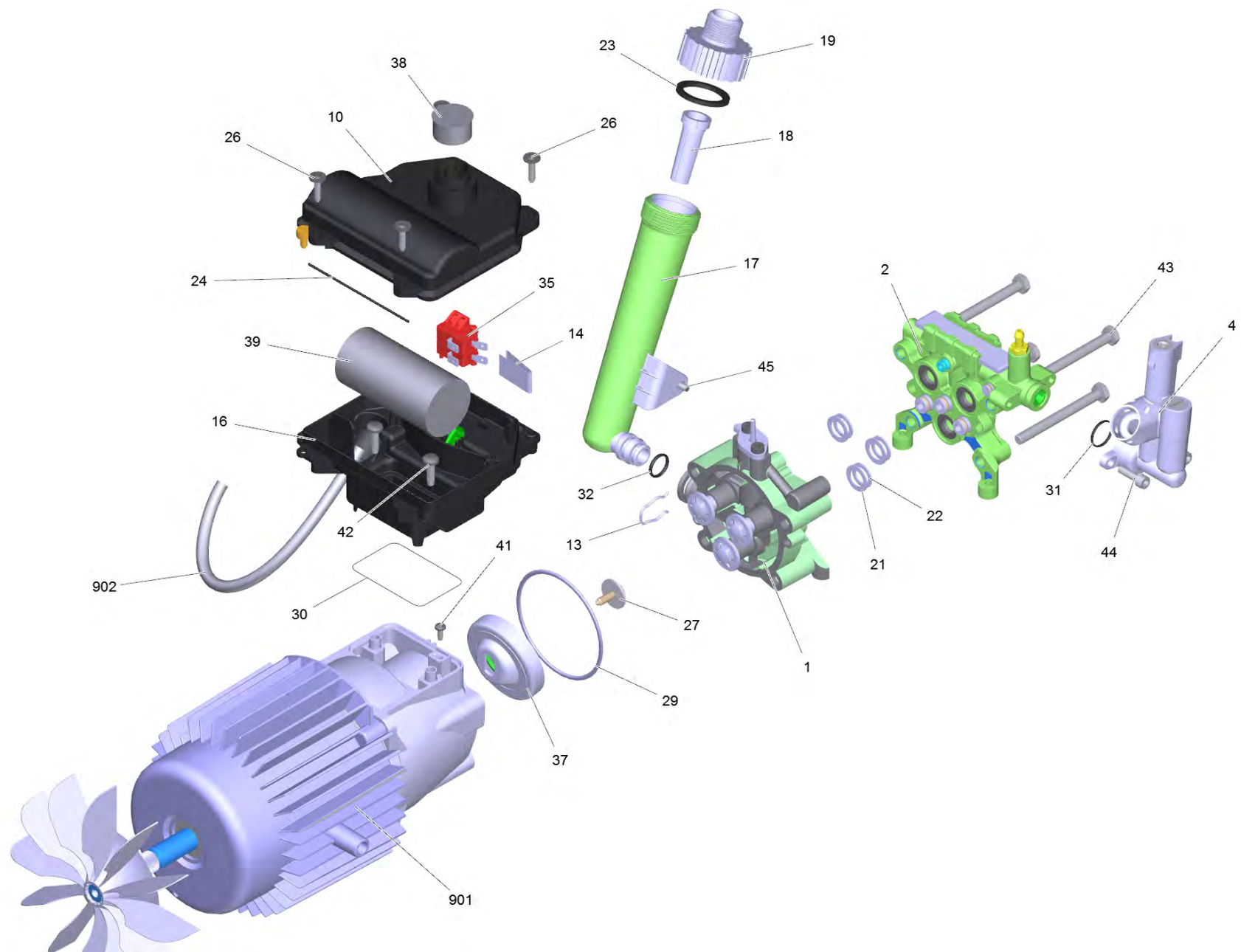


## Spare parts list HDS 1.7/12 U Ed (5.974-271.0)

POS	Article no.	Description	Quantity	Unit	Foot note text
47	6.310-081.0	Cage nut M 8	4.000	ST	
48	5.664-272.0	Flame tube	1.000	ST	
49	6.686-502.0	Thermostat fixed adjusted	1.000	ST	
50	5.034-834.0	Holder probe	1.000	ST	
53		Set mounting parts	1.000	ST	
54	4.401-059.0	Screw connector part	1.000	ST	
56	6.641-463.0	Cable tape	2.000	ST	
57	2.883-477.0	Reed switch replacement HDS 1000 D/B	1.000	ST	
58	5.041-076.0	Clamp	1.000	ST	
59	6.303-122.0	M4 .2X13 DIN 7981 TORX T15 PAN HD HI/LO	1.000	ST	
60	6.472-993.0	Fuel pump	1.000	ST	
61	5.471-097.0	Coupler fuel pump	1.000	ST	
62	6.414-413.0	Fuel filter	1.000	ST	
63	5.423-413.0	Conduit fuel	1.000	ST	
64	5.423-414.0	Conduit fuel	1.000	ST	
65	6.389-262.0	Union nut A 4-LL	2.000	ST	
66	6.389-263.0	Cutting ring d.4	2.000	ST	
67	6.392-208.0	Screw connector	1.000	ST	
69	6.388-515.0	Hose clip	1.000	ST	
70	6.391-820.0	Hose	1.000	M	TO ORDER AS CUT GOODS
73	6.388-559.0	Hose clip	5.000	ST	
75	5.064-402.0	Bottom electric box	1.000	ST	
76	5.064-403.0	Cover electric box	1.000	ST	
77	5.322-111.0	Handle	1.000	ST	
78	4.630-003.0	Rotary switch only for replacement	1.000	ST	
79	6.641-270.0	Plug	1.000	ST	
80	6.647-081.0	Cable tape	2.000	ST	
82	6.646-748.0	Clamp for cable 0,08-2,5mm²	2.000	ST	
84	6.647-681.0	Cable clip	1.000	ST	
89	4.862-225.0	Filter chemistry regulation	1.000	ST	
91	5.392-966.0	Warning sign	1.000	ST	
93	5.383-342.0	Label fuel oil einfuellen	1.000	ST	
105	4.363-691.0	O-Ring seal kpl. -nur fuer Ersatz-	1.000	ST	

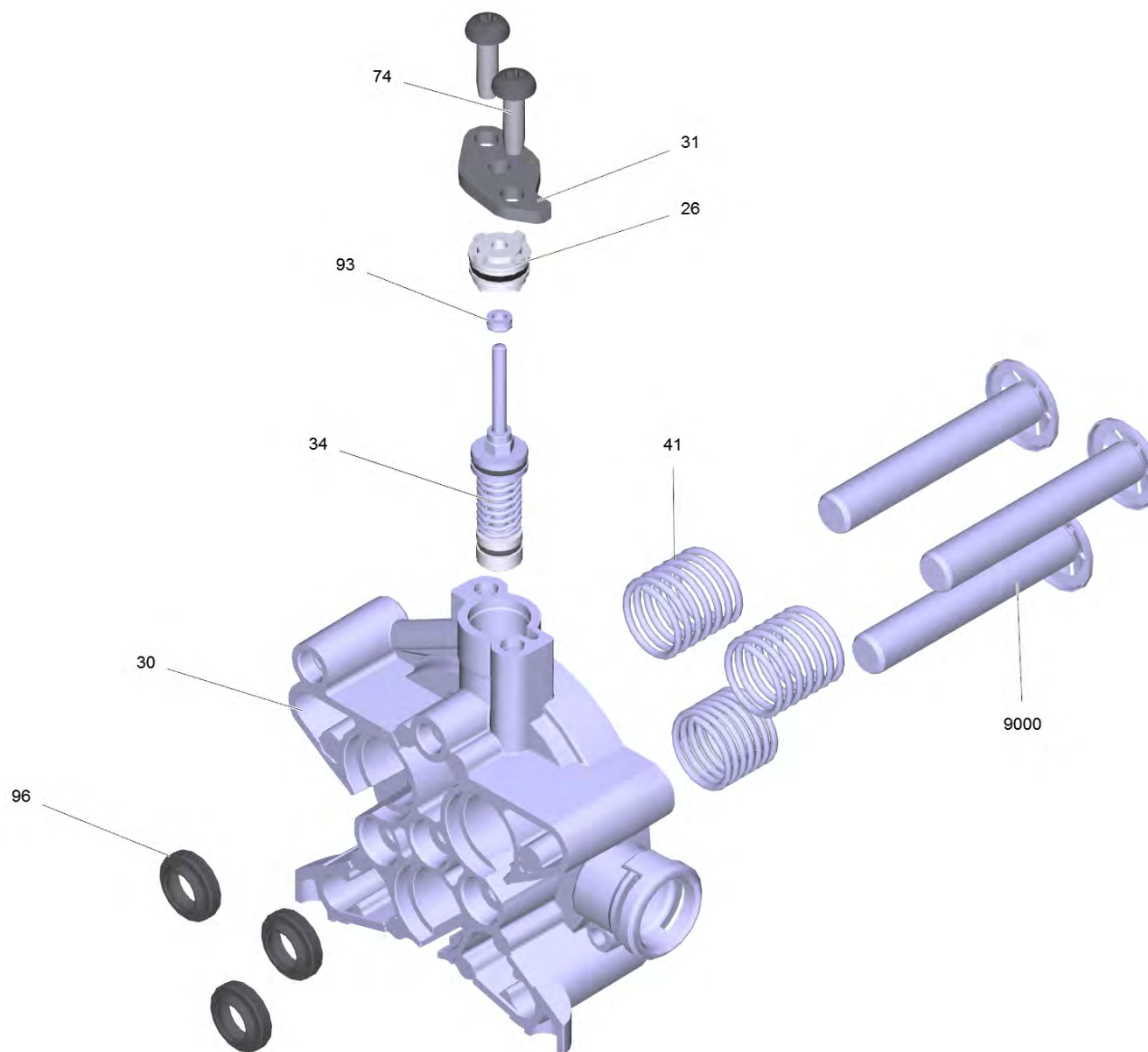
## Spare parts list HDS 1.7/12 U Ed (5.974-271.0)

POS	Article no.	Description	Quantity	Unit	Foot note text
106	6.641-269.0	Tab	1.000	ST	
107	7.312-172.0	Toothed lock washer A5,3-FSt-A3E DIN 67	1.000	ST	
109	4.822-763.0	Cable AWG14x1400-GG	1.000	ST	
110	7.303-038.0	Screw M5x12 -St-P2R (In6Rd)	5.000	ST	
111	7.303-106.0	Screw 4x12 -10.9-R2R (IN6RD)	1.000	ST	
112	7.303-047.0	Screw M6x16 -St-R3R (In6Rd)	8.000	ST	
113	7.303-108.0	Screw 5x20 -10.9-R2R (In6Rd)	10.000	ST	
115	7.304-051.0	Hexagonal head screw M 8x16-8.8-P2R EN	4.000	ST	
116	7.305-019.0	Countersunk screw M4x16 -8.8-R2R (In6Rd)	2.000	ST	
125	5.048-251.0	Plate	1.000	ST	
126	6.632-501.0	Contacto LC1-K1210 F7	1.000	ST	
901	4.069-023.0	Cover neutrally nur fuer Ersatz	1.000	ST	
902	4.112-006.0	Jet pipe TR 840 mm	1.000	ST	
903	4.117-027.0	Triple jet nozzle TR 032	1.000	ST	
904	4.118-005.0	EASY!Force Advanced	1.000	ST	
905	4.645-398.0	Cover tank -nur für Ersatz-	1.000	ST	
906	4.649-056.0	Cable with plug	1.000	ST	
907	6.110-034.0	Hose assembly TR DN6 25MPa 10m	1.000	ST	



## 33 Motor pump HDS 1.7/12 U Ed

POS	Article no.	Description	Quantity	Unit
1		Piston guidance	1.000	ST
2		Cylinder head	1.000	ST
4		Safety system	1.000	ST
10	5.064-112.0	COVER E-Kasten	1.000	ST
13	5.048-915.0	Clamp	1.000	ST
14	5.337-027.0	Plate spring	1.000	ST
16	4.800-852.0	Electric box complete	1.000	ST
17	5.129-201.0	Tube water intake	1.000	ST
18	5.731-587.0	Water filter	1.000	ST
19	5.064-462.0	Cover water intake	1.000	ST
21	5.116-062.0	Washer	3.000	ST
22	5.115-721.0	Washer	3.000	ST
23	5.363-336.0	Seal	1.000	ST
24	6.273-194.0	Cord cellular rubber	1.000	ST
26	6.303-125.0	Screw 5x20-Sonder In6Rd+Spitze	4.000	ST
27	6.304-175.0	Cylinder head screw M6x19	1.000	ST
29	6.362-471.0	O-Ring seal 80,0 X 3,0 -NBR 70	1.000	ST
30	6.362-887.0	O-Ring seal 65,0 X 2,5	1.000	ST
31	6.362-580.0	O-Ring seal 17,0 X 2,0-NBR 70	1.000	ST
32	6.363-610.0	O-Ring seal 13 x 3 -NBR	1.000	ST
35	6.631-946.0	Micro switch	1.000	ST
37	6.401-257.0	Wobble plate	1.000	ST
38	6.368-138.0	Protecting cap	1.000	ST
39	6.661-237.0	Capacitor 70µF	1.000	ST
41	7.303-031.0	Screw M4x10 -St-P2R (In6Rd)	1.000	ST
42	7.303-048.0	Screw M6x20 -St-R3R (In6Rd)	2.000	ST
43	7.304-098.0	Hexagonal head screw M8x80-8.8-A2E ISO	4.000	ST
44	7.306-022.0	Cylinder head screw M 6x20-8.8-A2E ISO47	2.000	ST
45	7.303-037.0	Screw M5x10 -St-P2R (In6Rd)	1.000	ST
901	4.624-097.0	Motor complete only for replacement	1.000	ST
902	4.649-057.0	Cable motor only for replacement	1.000	ST



## 1 Piston guidance

---

<b>POS</b>	<b>Article no.</b>	<b>Description</b>	<b>Quantity</b>	<b>Unit</b>
26	4.030-069.0	Moulded part complete only for replaceme	1.000	ST
30	5.060-094.3	Piston guidance only for replacement	1.000	ST
31	5.064-127.0	Cover	1.000	ST
34	4.580-325.0	Excess-current complete	1.000	ST
41	5.332-391.0	Pressure spring	3.000	ST
74	7.303-048.0	Screw M6x20 -St-R3R (In6Rd)	2.000	ST
93	6.362-852.0	O-Ring seal complete 3,69	1.000	ST
96	6.365-001.0	Grooved ring 12x20x4/6	3.000	ST
125	6.288-050.0	Engine oil 1L	1.000	ST
9000	4.553-234.0	Piston complete only for replacement D12	3.000	ST



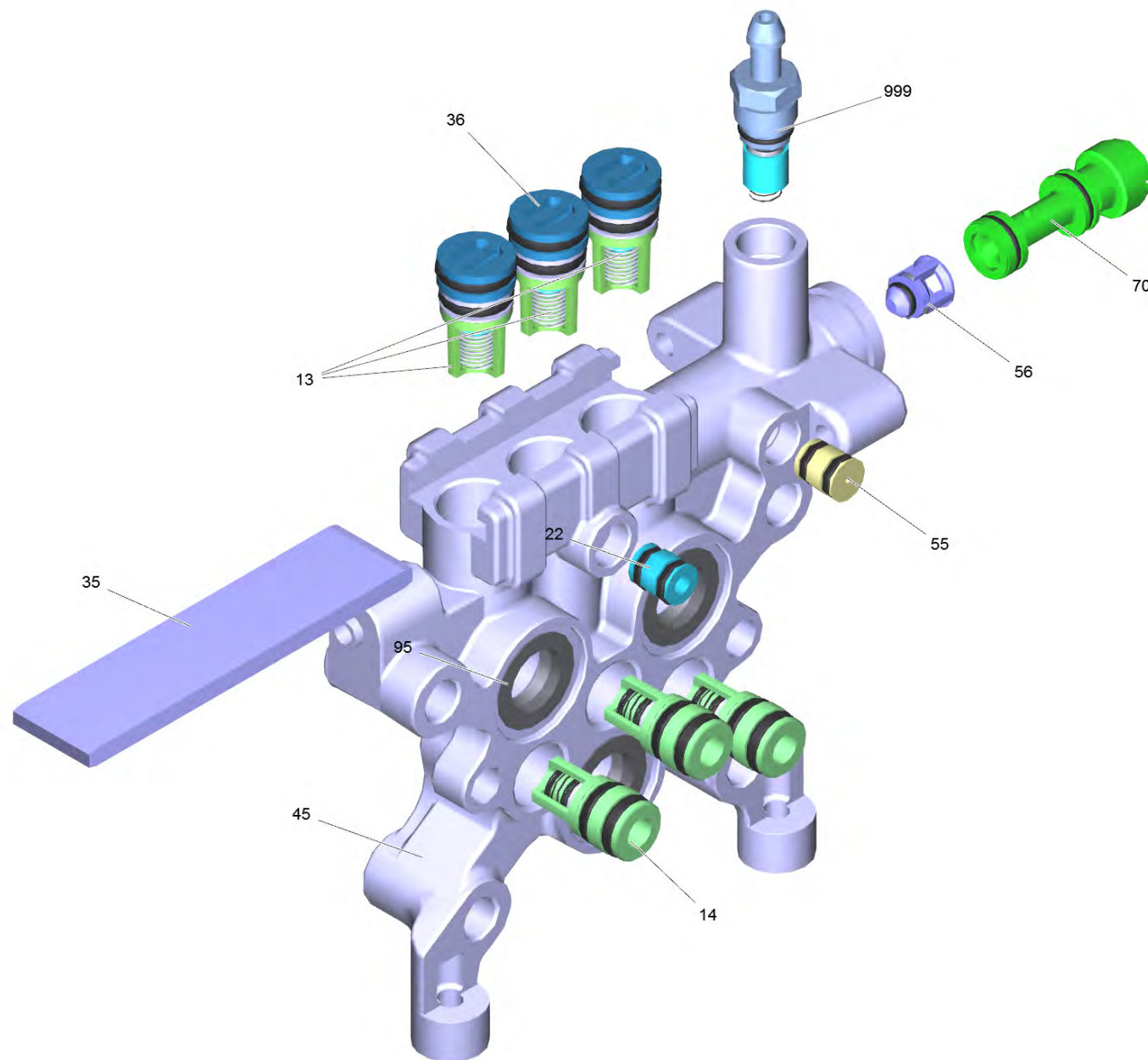
94

26 Moulded part complete only for replaceme (4.030-069.0)

---

<b>POS</b>	<b>Article no.</b>	<b>Description</b>	<b>Quantity</b>	<b>Unit</b>
94	6.362-169.0	O-Ring seal 12,0 X 2,0	1.000	ST

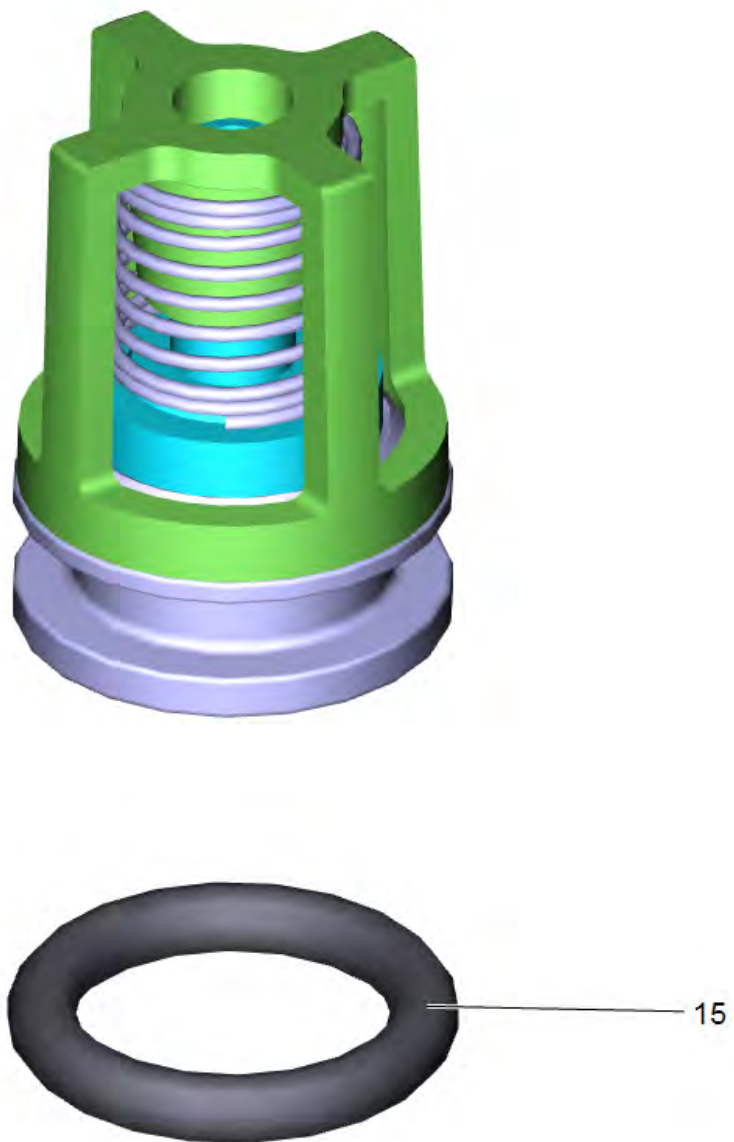




## 2 Cylinder head

---

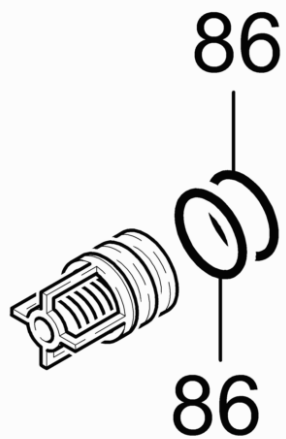
<b>POS</b>	<b>Article no.</b>	<b>Description</b>	<b>Quantity</b>	<b>Unit</b>
13	2.884-916.0	Valve (3 Stück)	1.000	ST
14	4.580-308.0	Suction valve complete	3.000	ST
22	4.030-125.0	Joining piece only for replacement	1.000	ST
35	5.003-062.0	Plate	1.000	ST
36	4.132-007.0	Drain plug only for replacement	3.000	ST
45	5.550-304.0	Cylinder head	1.000	ST
55	4.030-070.0	Throttle complete	1.000	ST
56	4.584-022.0	Valve pin complete	1.000	ST
70	4.769-034.0	Nozzle insert only for replacement	1.000	ST
95	6.365-574.0	Grooved ring	3.000	ST
999	2.883-862.0	Spare part set chemistry	1.000	ST



13 Valve (3 Stück) (2.884-916.0)

---

POS	Article no.	Description	Quantity	Unit
15	6.362-077.0	O-Ring seal 10 x 2,2 NBR 70	1.000	ST

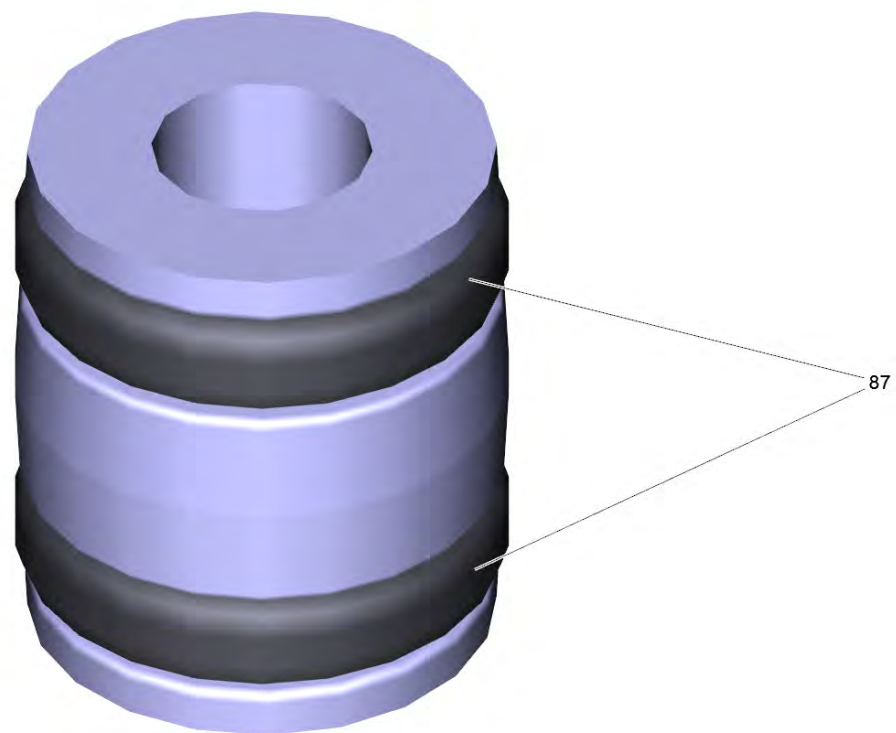


14 Suction valve complete (4.580-308.0)

---

<b>POS</b>	<b>Article no.</b>	<b>Description</b>	<b>Quantity</b>	<b>Unit</b>
86	6.363-614.0	O-Ring seal 9 x 2 -NBR90	2.000	ST

---

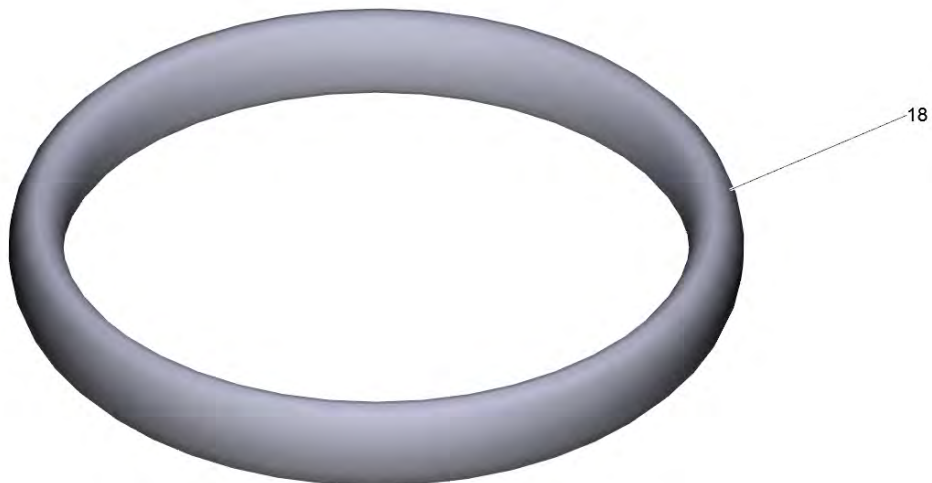
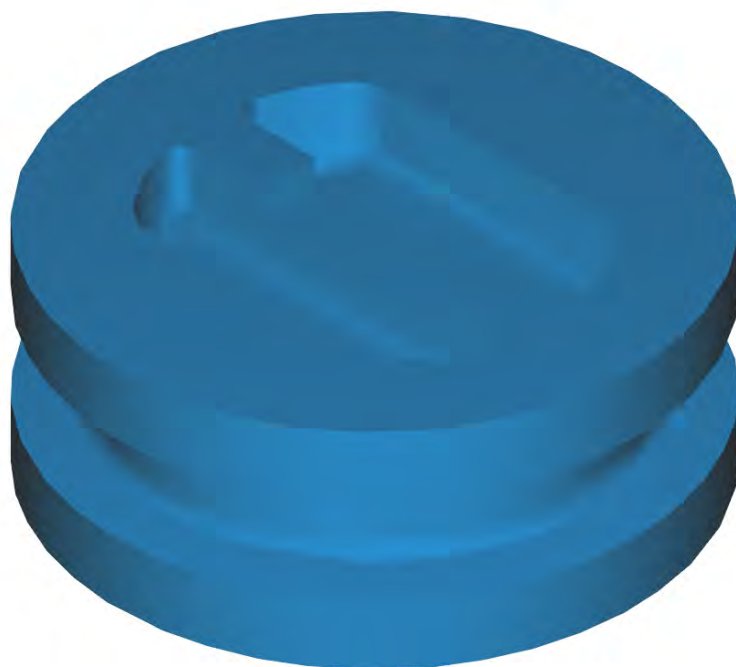


22 Joining piece only for replacement (4.030-125.0)

---

<b>POS</b>	<b>Article no.</b>	<b>Description</b>	<b>Quantity</b>	<b>Unit</b>
87	6.362-176.0	O-Ring seal 6,07x1,78	2.000	ST

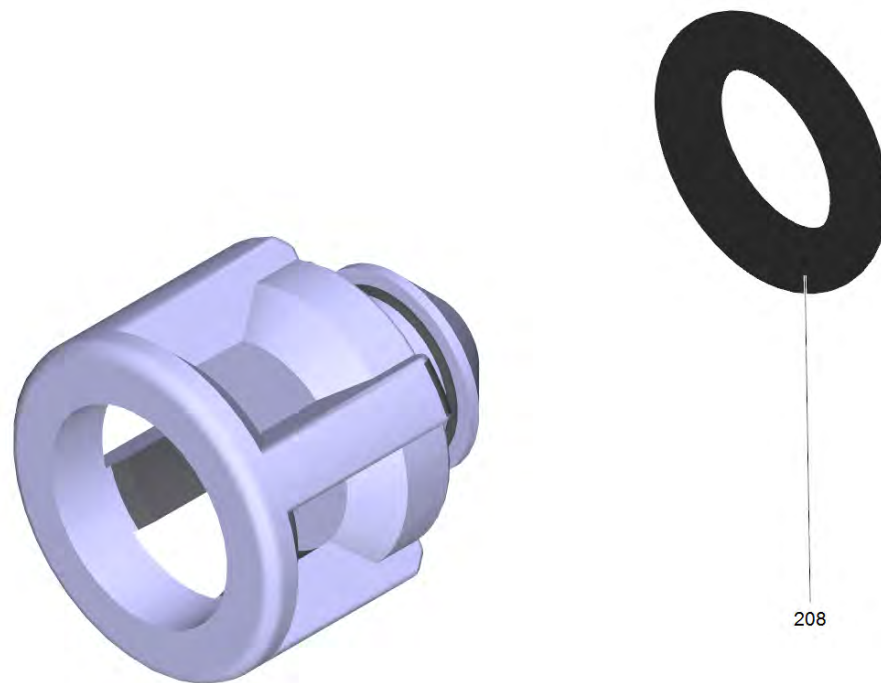




36 Drain plug only for replacement (4.132-007.0)

---

<b>POS</b>	<b>Article no.</b>	<b>Description</b>	<b>Quantity</b>	<b>Unit</b>
18	6.362-458.0	O-Ring seal 11,0x2,0-NBR 70	1.000	ST



208

56 Valve pin complete (4.584-022.0)

---

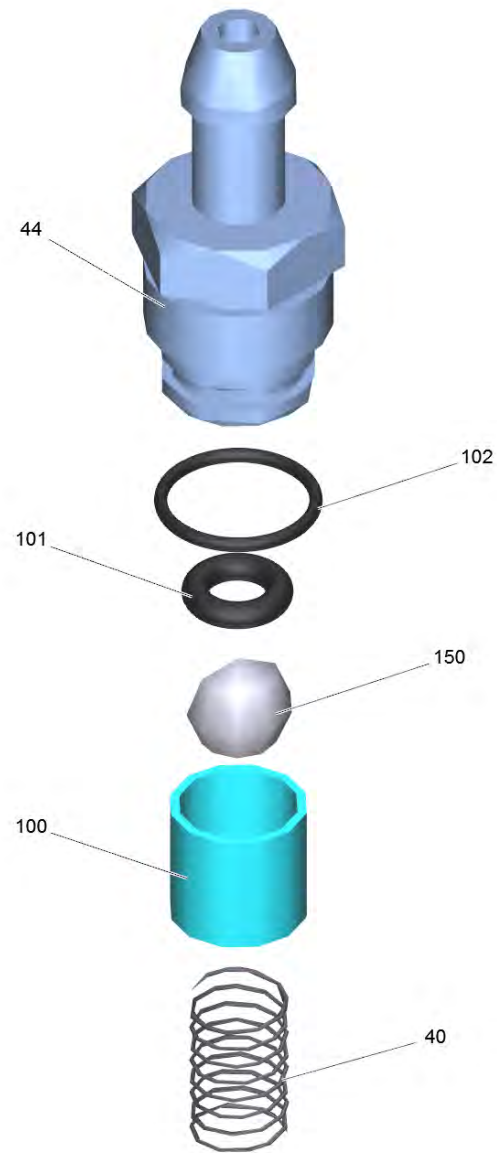
<b>POS</b>	<b>Article no.</b>	<b>Description</b>	<b>Quantity</b>	<b>Unit</b>
208	6.363-613.0	O-Ring seal 4 x 2 -NBR90	1.000	ST



70 Nozzle insert only for replacement (4.769-034.0)

---

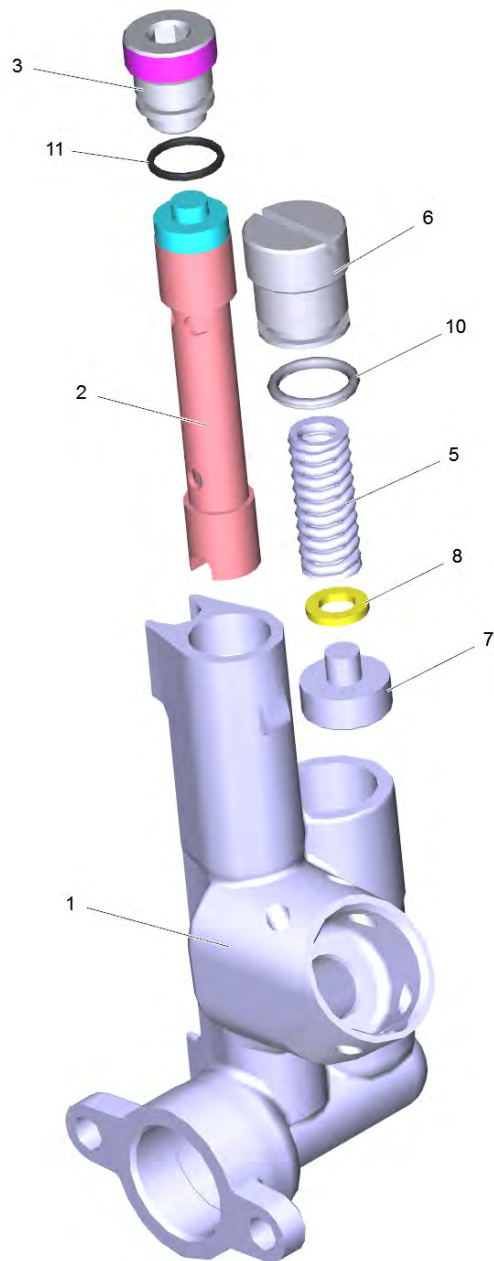
<b>POS</b>	<b>Article no.</b>	<b>Description</b>	<b>Quantity</b>	<b>Unit</b>
23	6.362-384.0	O-Ring seal 9x1,5 - NBR 70	2.000	ST



999 Spare part set chemistry (2.883-862.0)

POS	Article no.	Description	Quantity	Unit
40	5.332-258.0	Helical spring	1.000	ST
44	5.443-448.0	Nipple chemistry	1.000	ST
100	5.110-714.0	Sleeve	1.000	ST
101	6.363-597.0	O-Ring seal 5,28 x 1,78	1.000	ST
102	6.362-451.0	O-Ring seal 8,0 x 1,0	1.000	ST
110	6.376-036.0	Label spare parts neutrally 65x55 MM	1.000	ZST
150	7.401-908.0	Sphere 7 G300 -1.4301 DIN 5401	1.000	ST

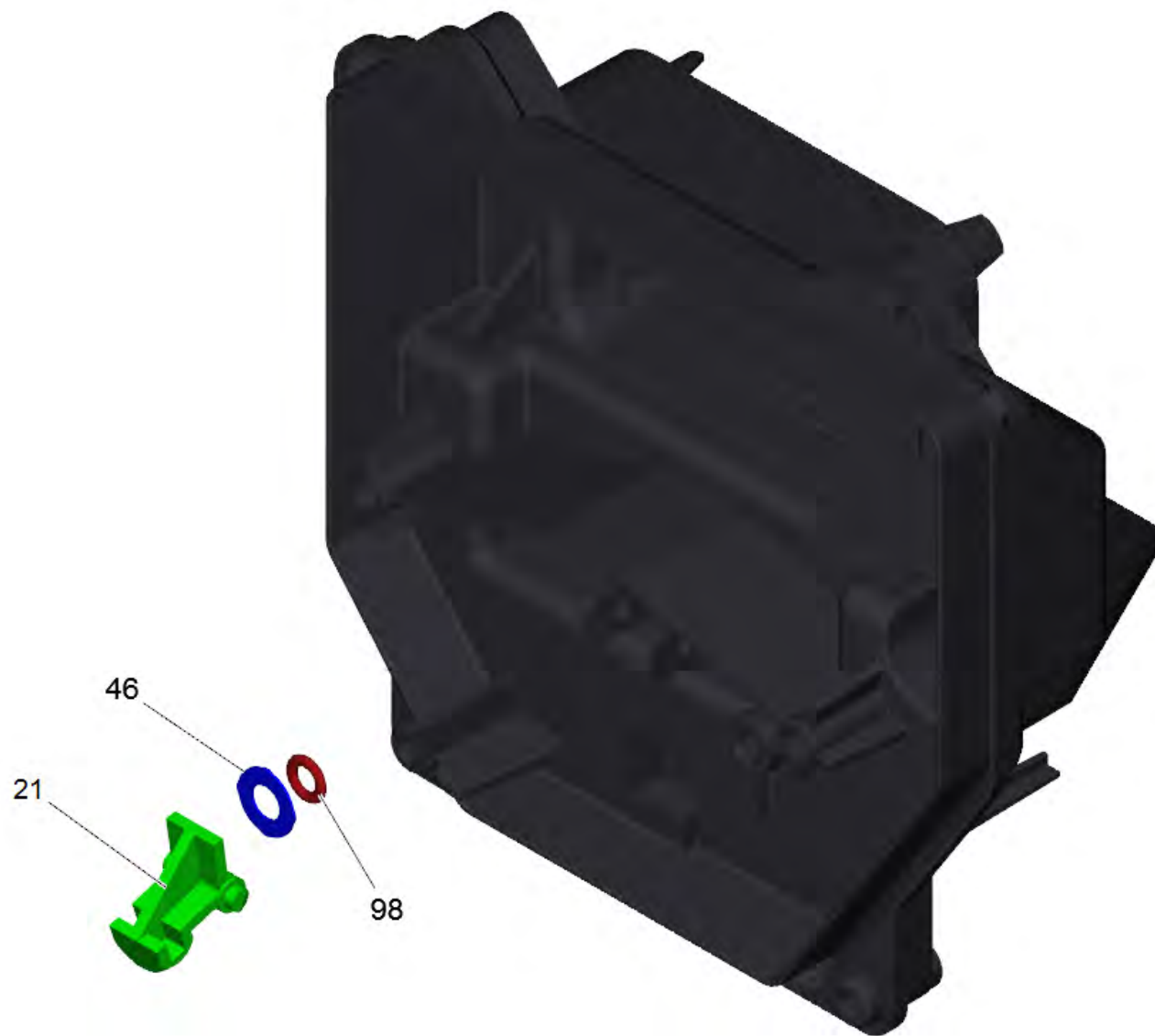




#### 4 Safety system

---

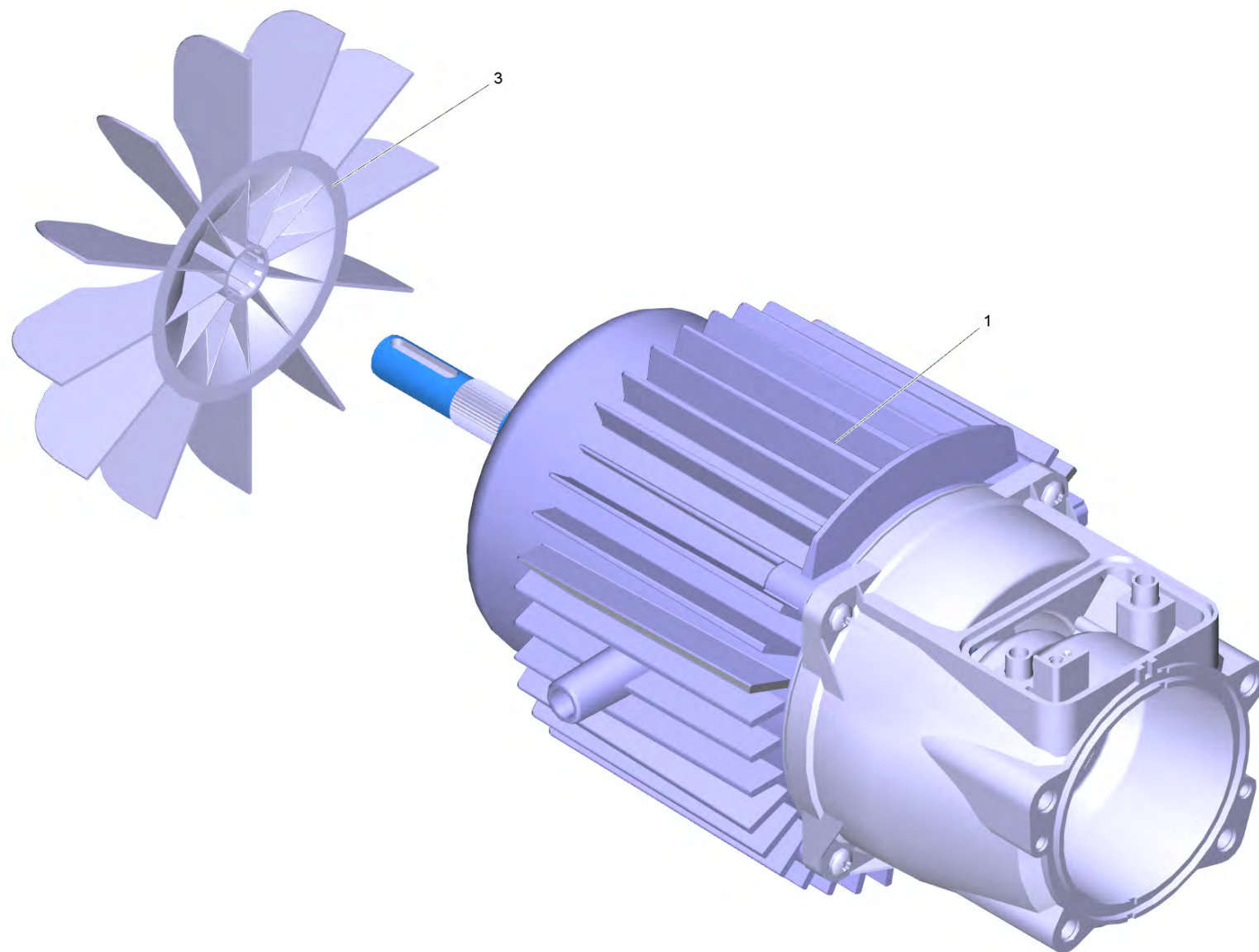
<b>POS</b>	<b>Article no.</b>	<b>Description</b>	<b>Quantity</b>	<b>Unit</b>
1	5.427-454.3	Manifold	1.000	ST
2	4.551-058.0	Cartridge protection against water short	1.000	ST
3	5.305-162.0	Shaped screw	1.000	ST
5	5.332-414.0	Helical spring	1.000	ST
6	5.583-096.0	Valve screw	1.000	ST
7	5.581-349.0	Valve disc	1.000	ST
8	5.115-260.0	Washer	1.000	ST
10	6.362-169.0	O-Ring seal 12,0 X 2,0	1.000	ST
11	6.362-482.0	O-Ring seal 10 x 1,5-NBR 70	1.000	ST



## 16 Electric box complete (4.800-852.0)

---

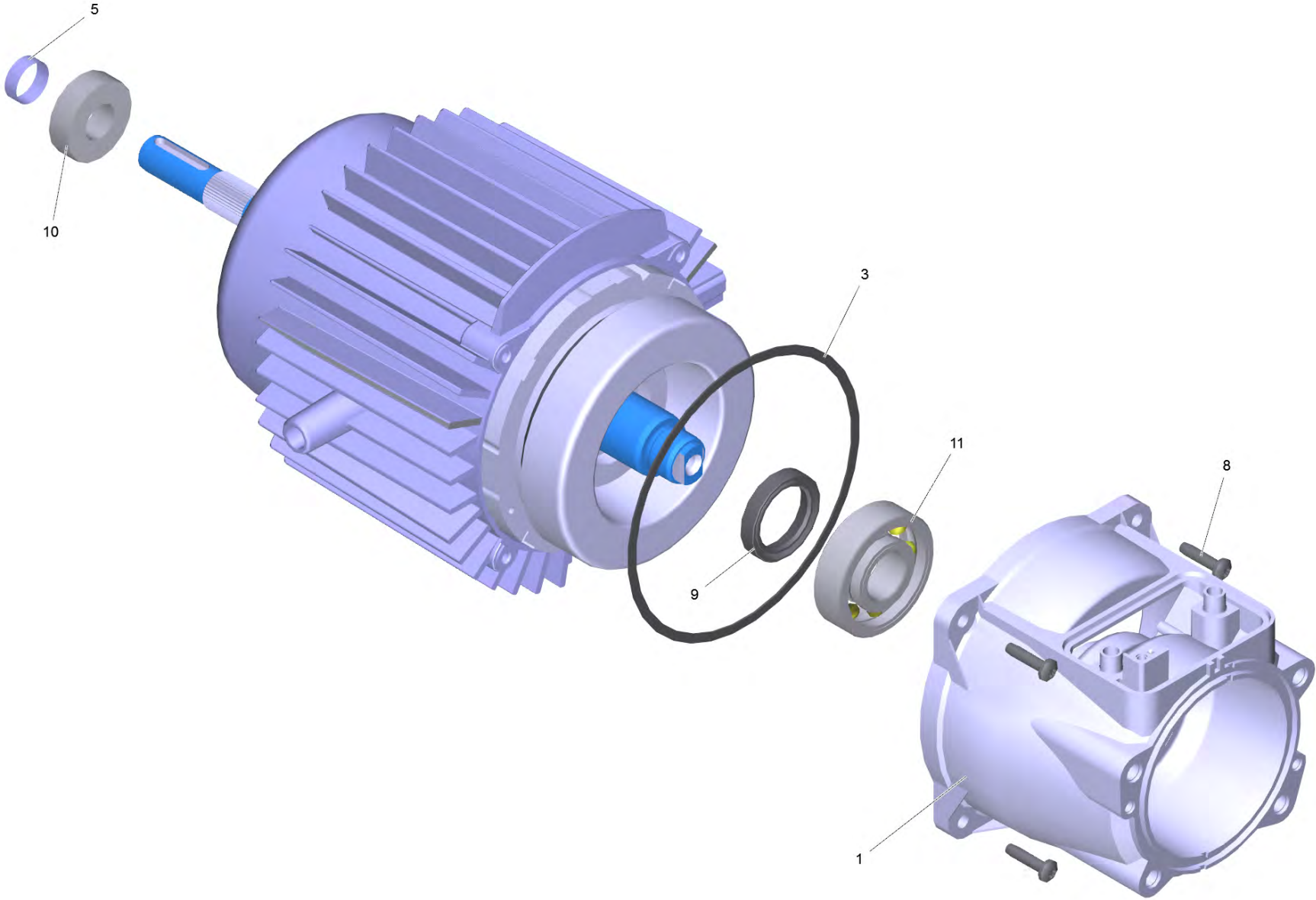
<b>POS</b>	<b>Article no.</b>	<b>Description</b>	<b>Quantity</b>	<b>Unit</b>
21	4.047-003.0	Rocker switch complete	1.000	ST
46	5.115-610.0	Washer	1.000	ST
98	6.506-019.0	O-Ring seal 3,68X 1,78	1.000	ST



901 Motor complete only for replacement (4.624-097.0)

---

<b>POS</b>	<b>Article no.</b>	<b>Description</b>	<b>Quantity</b>	<b>Unit</b>
1		Motor complete 117x100 120V 1~ 60Hz	1.000	ST
3	5.600-059.0	Blower wheel	1.000	ST

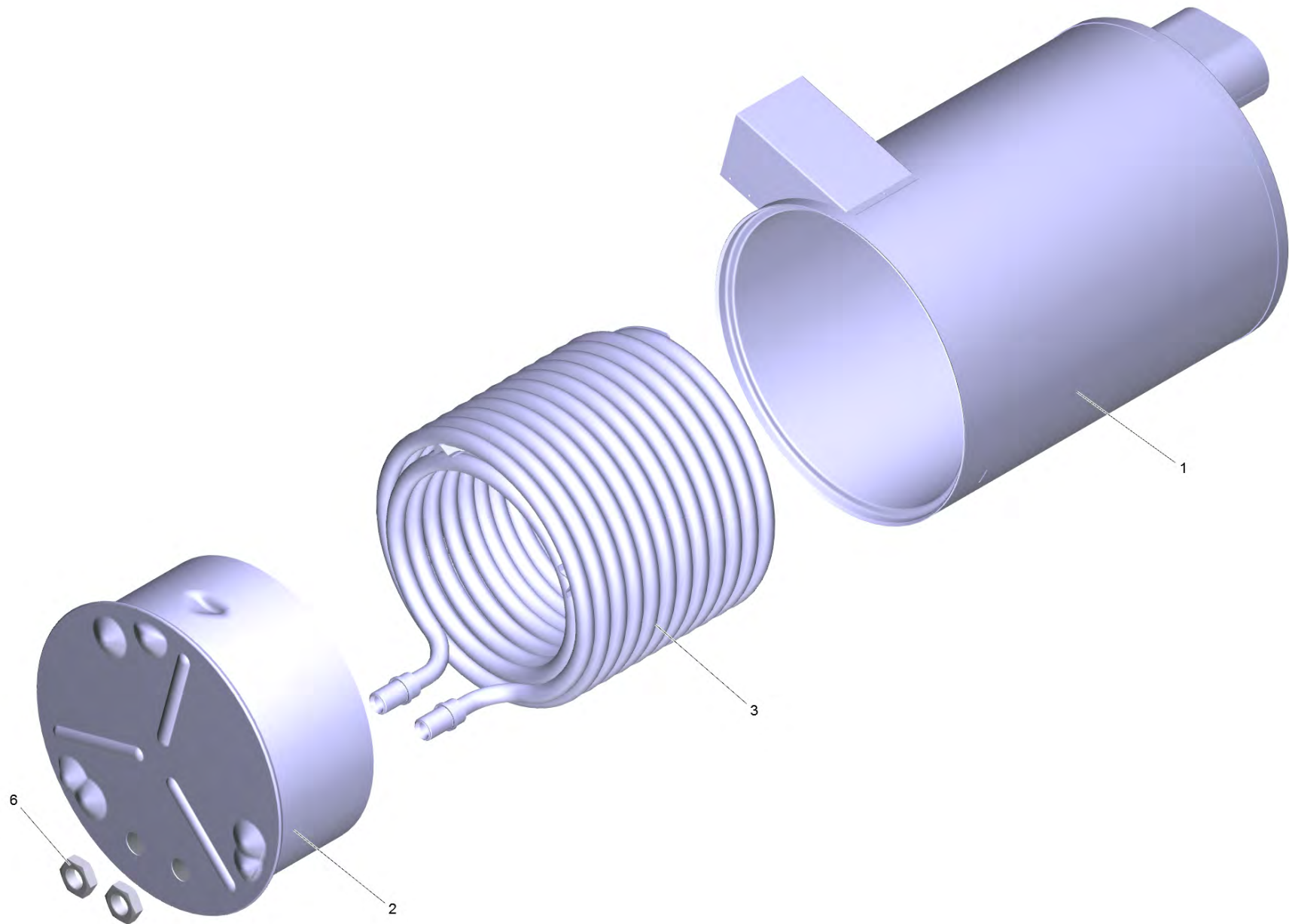


## 1 Motor complete 117x100 120V 1~ 60Hz

---

<b>POS</b>	<b>Article no.</b>	<b>Description</b>	<b>Quantity</b>	<b>Unit</b>
1	5.093-271.0	Bearing plate A	1.000	ST
3	5.363-590.0	Joint ring	1.000	ST
5	6.343-228.0	Tolerance ring	1.000	ST
8	6.303-320.0	Screw M 5x 20-St-R2R	4.000	ST
9	7.367-018.0	Radial shaft seal ring A26x37x7 -NBR DI	1.000	ST
10	6.401-331.0	Ball bearing	1.000	ST
11	7.401-155.0	Ball bearing 6304-WAELZLAGERST DIN 625	1.000	ST

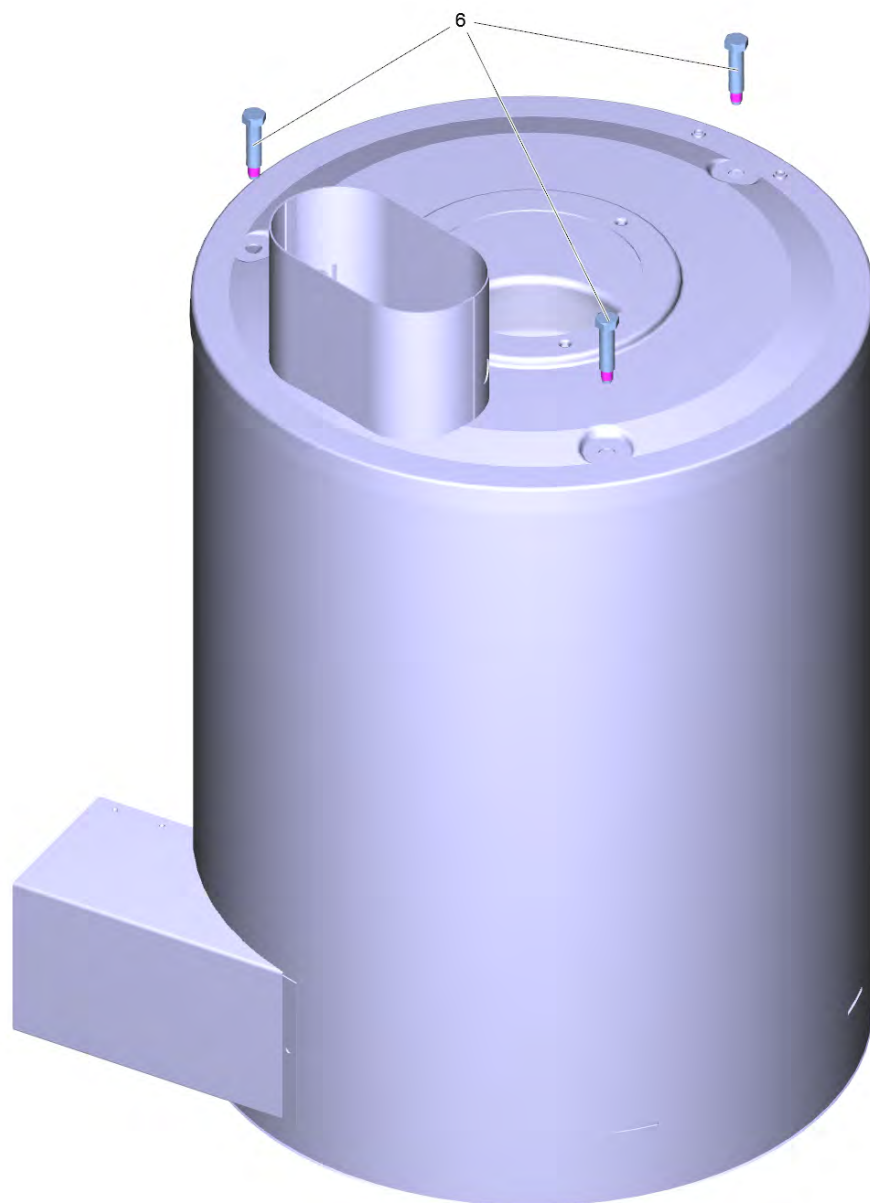




## 44 Boiler

---

<b>POS</b>	<b>Article no.</b>	<b>Description</b>	<b>Quantity</b>	<b>Unit</b>	<b>Foot note text</b>
1	4.652-152.0	Vessel mantel complete	1.000	ST	
2	4.655-044.0	Bottom pressure boiler	1.000	ST	
3	4.680-154.0	Heating coil	1.000	ST	
3	4.680-129.0	Heating coil VA	1.000	ST	STAINLESS STEEL CONSTRUCTION
6	7.311-112.0	Hexagon nut M22X1,5 -22H-A2E DIN 936	2.000	ST	

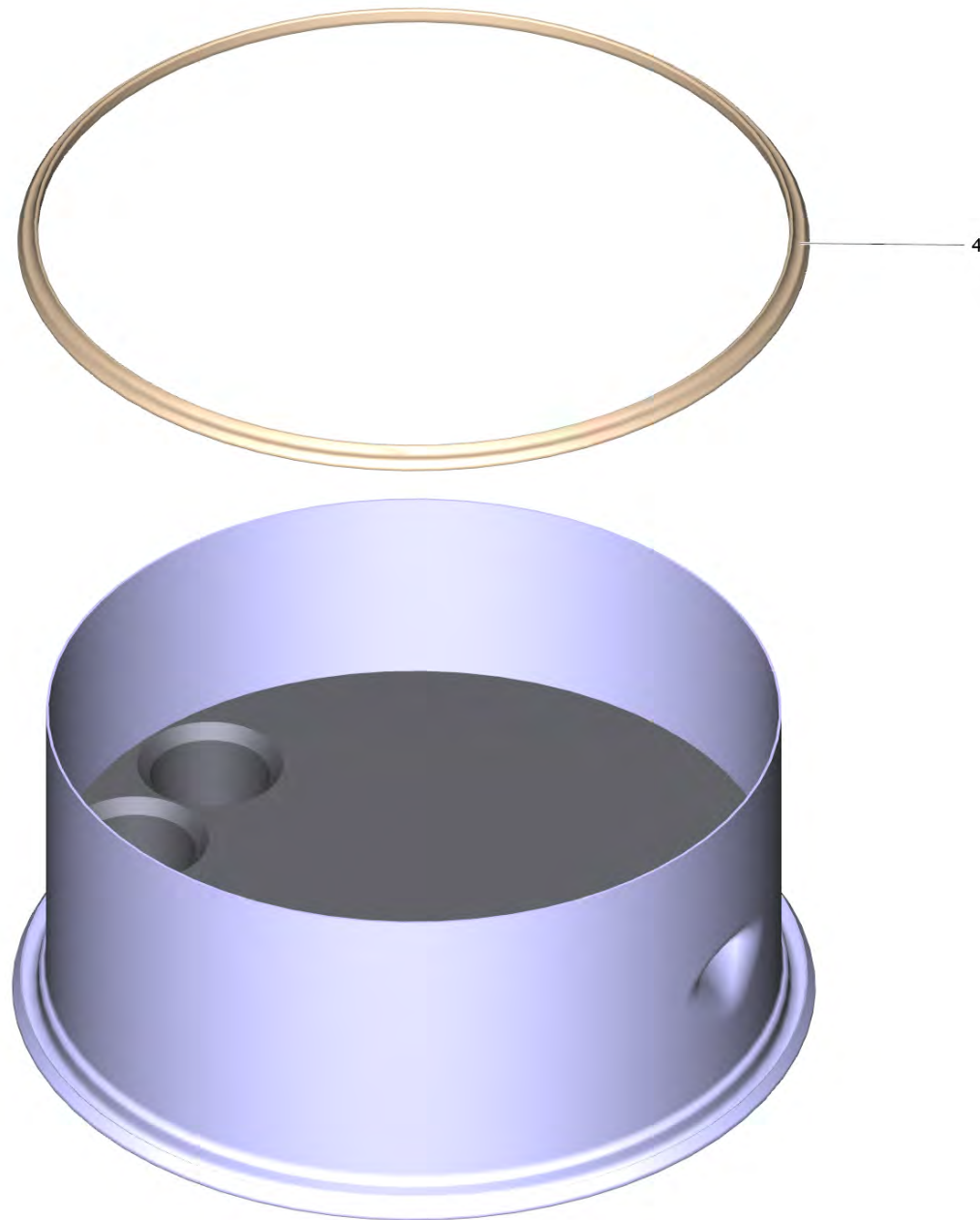


1 Vessel mantel complete (4.652-152.0)

---

<b>POS</b>	<b>Article no.</b>	<b>Description</b>	<b>Quantity</b>	<b>Unit</b>
6	6.303-258.0	Self-tapping screw	3.000	ST

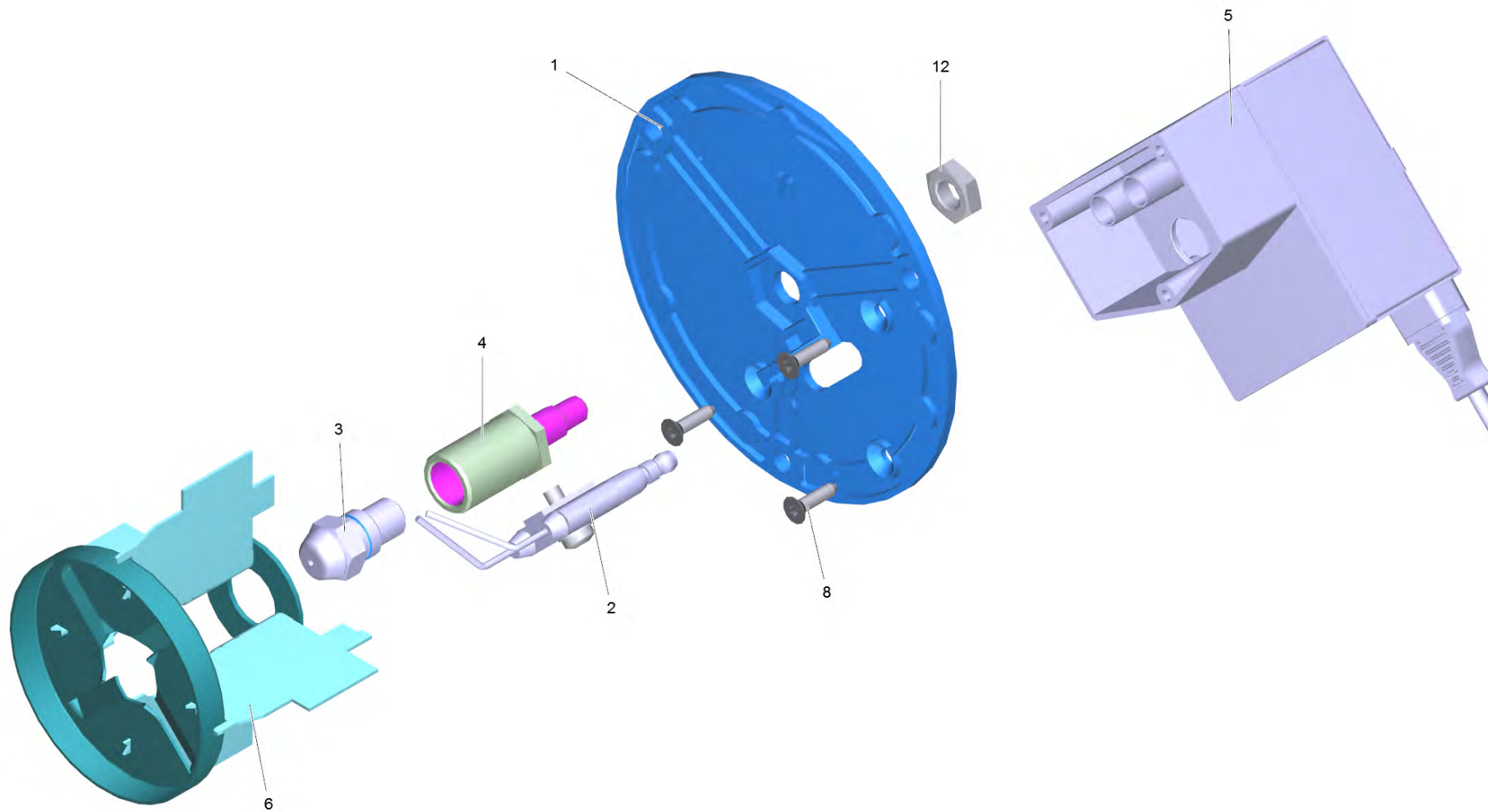
---



2 Bottom pressure boiler (4.655-044.0)

---

<b>POS</b>	<b>Article no.</b>	<b>Description</b>	<b>Quantity</b>	<b>Unit</b>
4	6.366-009.0	Seal string	1.000	ST
6	6.869-024.0	Quick-bonding agent	0.004	ZST

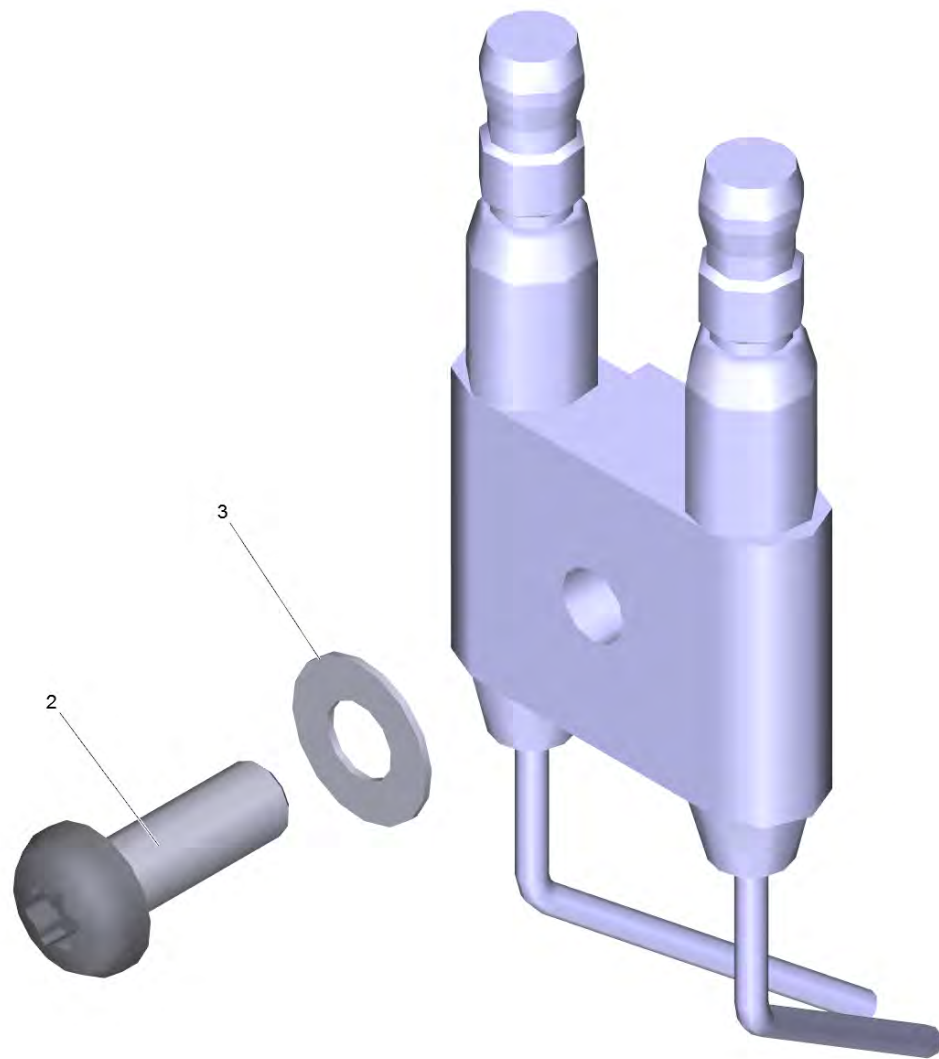


## 45 Burner complete

---

<b>POS</b>	<b>Article no.</b>	<b>Description</b>	<b>Quantity</b>	<b>Unit</b>
1	5.662-023.0	Burner cover	1.000	ST
2	2.638-974.0	Conversion kit ignition electrode	1.000	ST
3	6.415-916.0	Burner nozzle	1.000	ST
4	5.667-055.0	Nozzle holder	1.000	ST
5	4.622-028.0	Ignition transformer replacement	1.000	ST
6	4.663-141.0	Baffle plate complete	1.000	ST
8	7.303-125.0	Countersunk screw 4x16 -10.9-R2R (In6Rd	3.000	ST
12	7.311-101.0	Hexagon nut M10x1 -04-A2E ISO 8675	1.000	ST

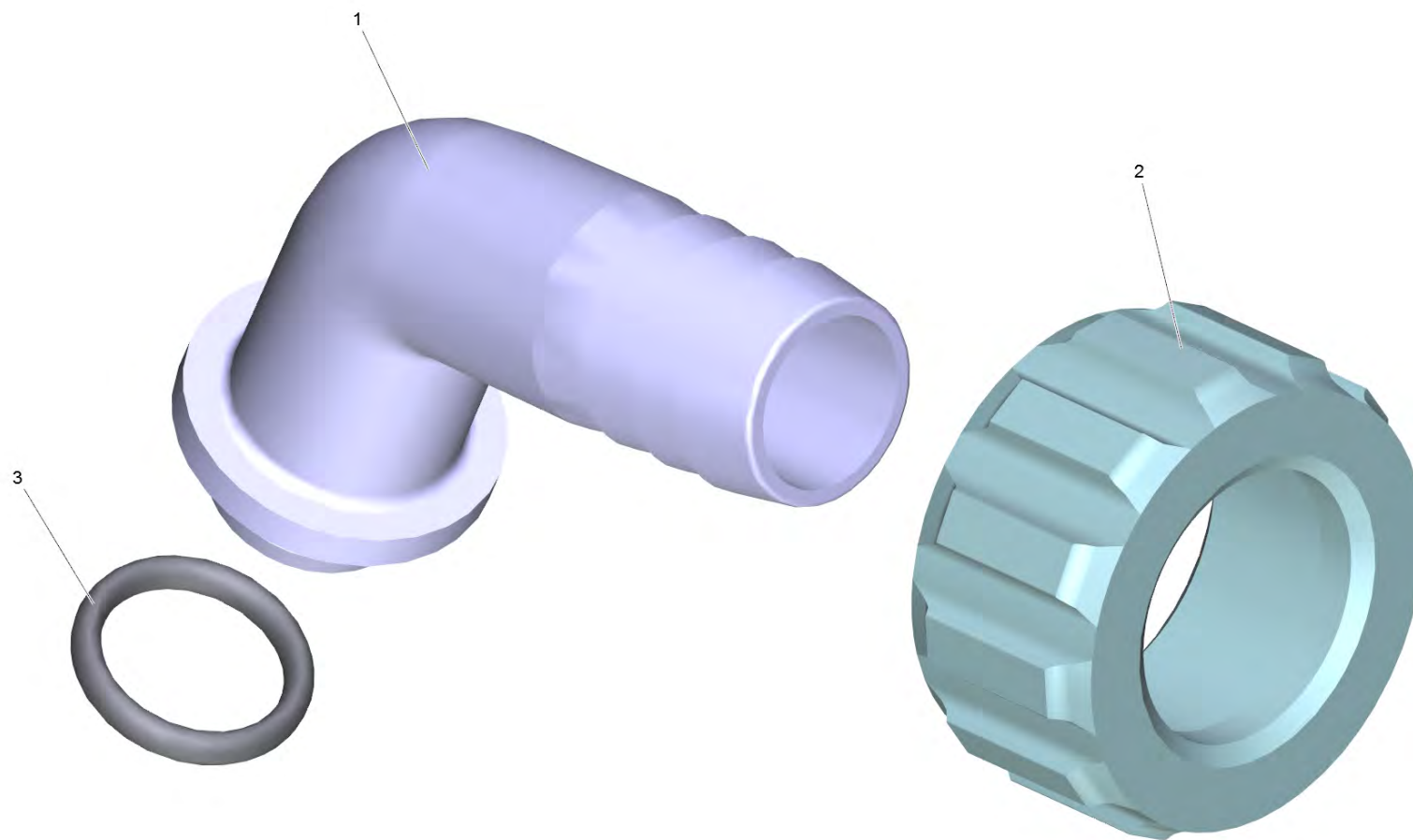




## 2 Conversion kit ignition electrode (2.638-974.0)

---

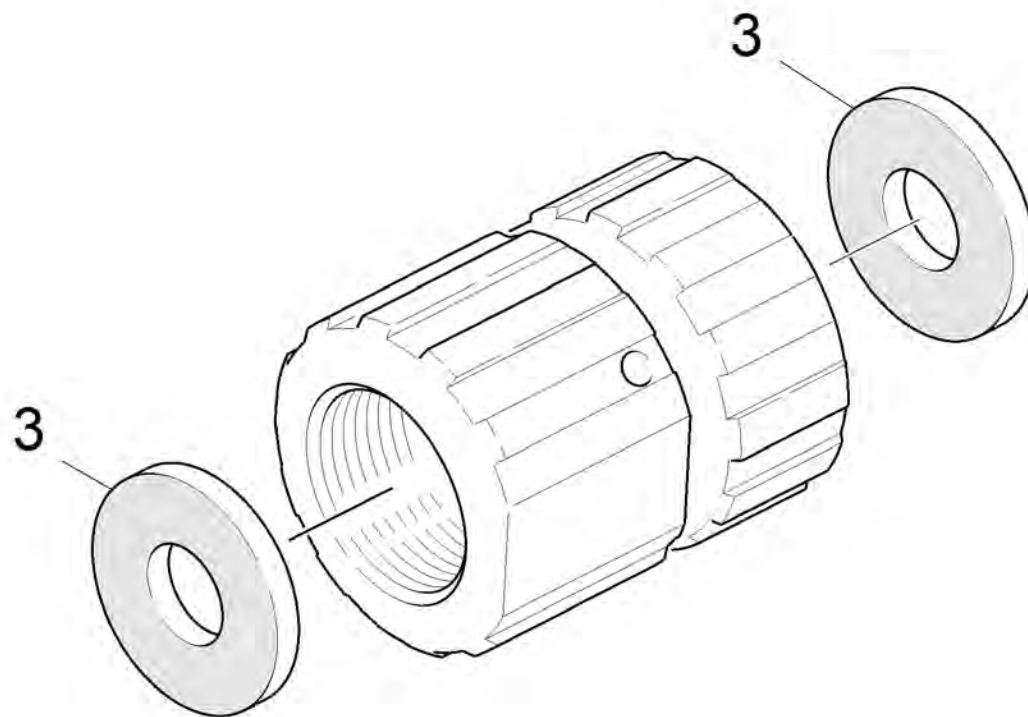
<b>POS</b>	<b>Article no.</b>	<b>Description</b>	<b>Quantity</b>	<b>Unit</b>
2	7.306-217.0	Screw M5x14 -8.8-R2R (In6Rd)	1.000	ST
3	7.312-304.0	Spring washer B 5-FST-A2E DIN 137	1.000	ST



## 53 Set mounting parts

---

<b>POS</b>	<b>Article no.</b>	<b>Description</b>	<b>Quantity</b>	<b>Unit</b>
1	5.443-285.0	Hose stem	1.000	ST
2	5.310-062.0	Nut	1.000	ST
3	6.362-078.0	O-Ring seal 13,3x2,4	1.000	ST



54 Screw connector part (4.401-059.0)

---

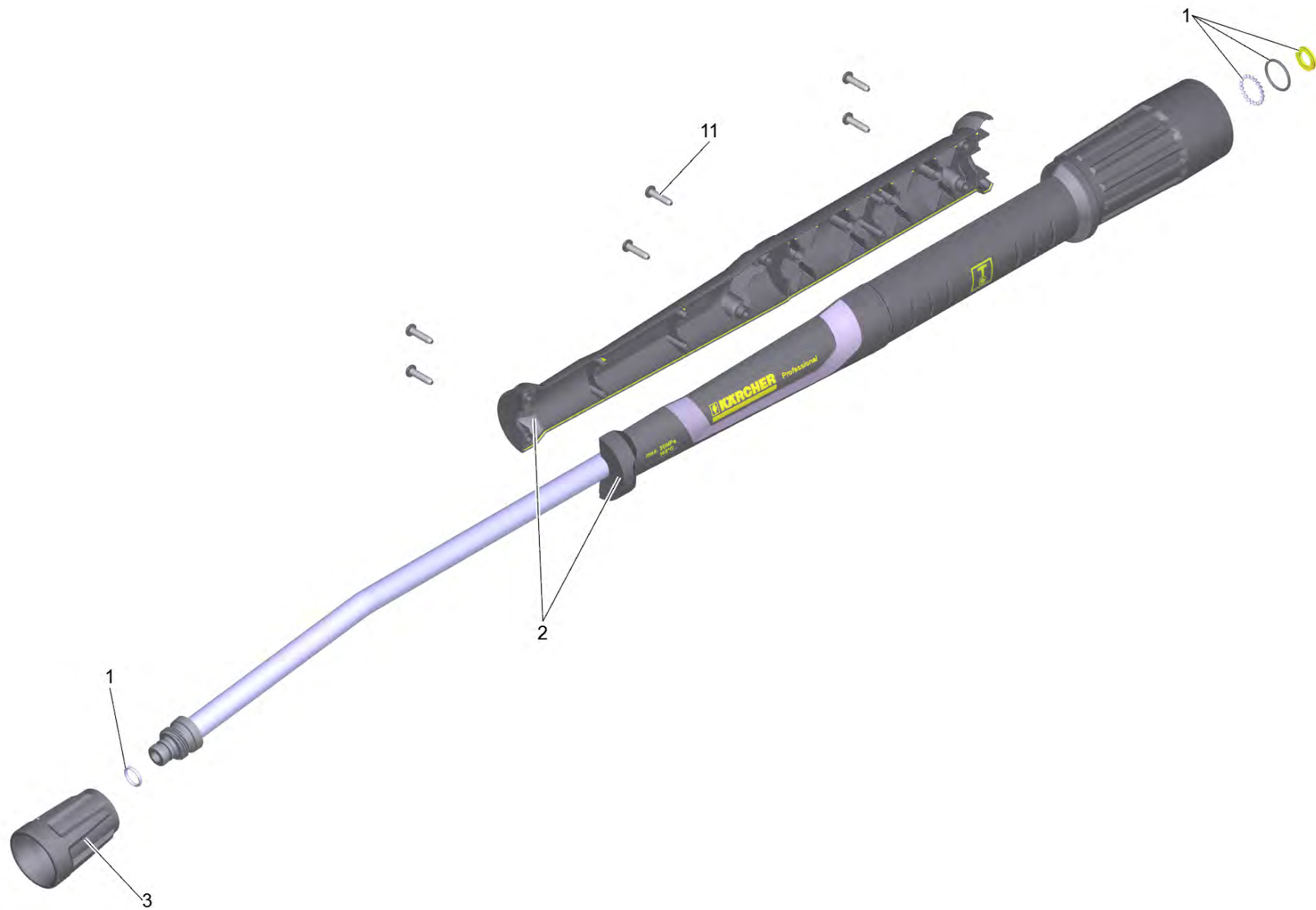
<b>POS</b>	<b>Article no.</b>	<b>Description</b>	<b>Quantity</b>	<b>Unit</b>
3	5.364-129.0	Flat gasket	2.000	ST

902 Jet pipe TR 840 mm (4.112-006.0)

---

POS	Description	Quantity	Unit
1	Jet pipe TR 840 mm	1.000	ST

---





## 1 Jet pipe TR 840 mm

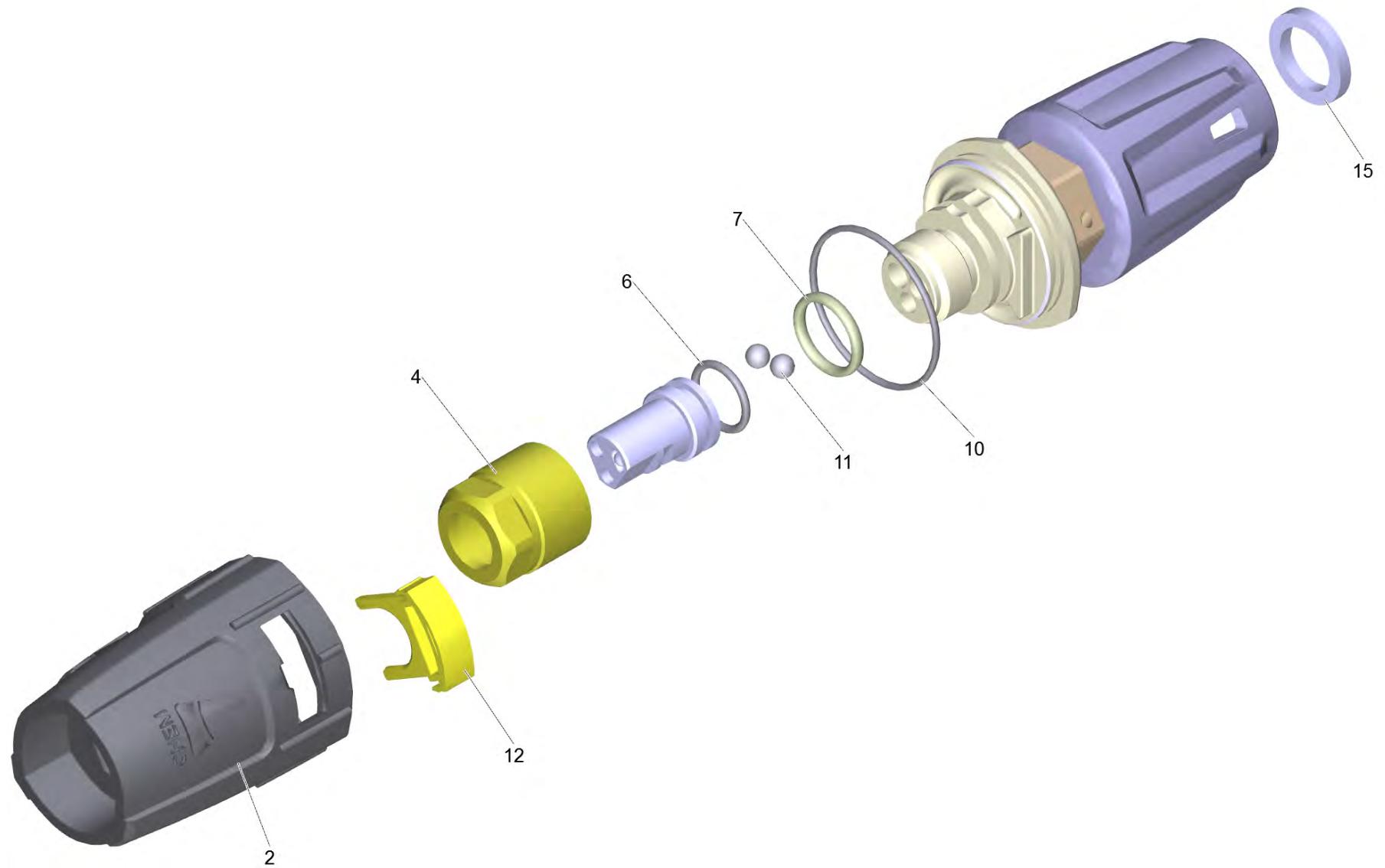
---

<b>POS</b>	<b>Article no.</b>	<b>Description</b>	<b>Quantity</b>	<b>Unit</b>
1	4.100-688.0	Spare part set seal TR	1.000	ST
2	5.321-018.3	Handle bowl jet pipe only for replacemen	1.000	ST
3	4.112-011.0	Protection part TR only for replacement	1.000	ST
11	7.303-129.0	Screw 4x16 -10.9-R2R (K-In6Rd)	6.000	ST

903 Triple jet nozzle TR 032 (4.117-027.0)

---

POS	Description	Quantity	Unit
1	Triple jet nozzle TR 032	1.000	ST



## 1 Triple jet nozzle TR 032

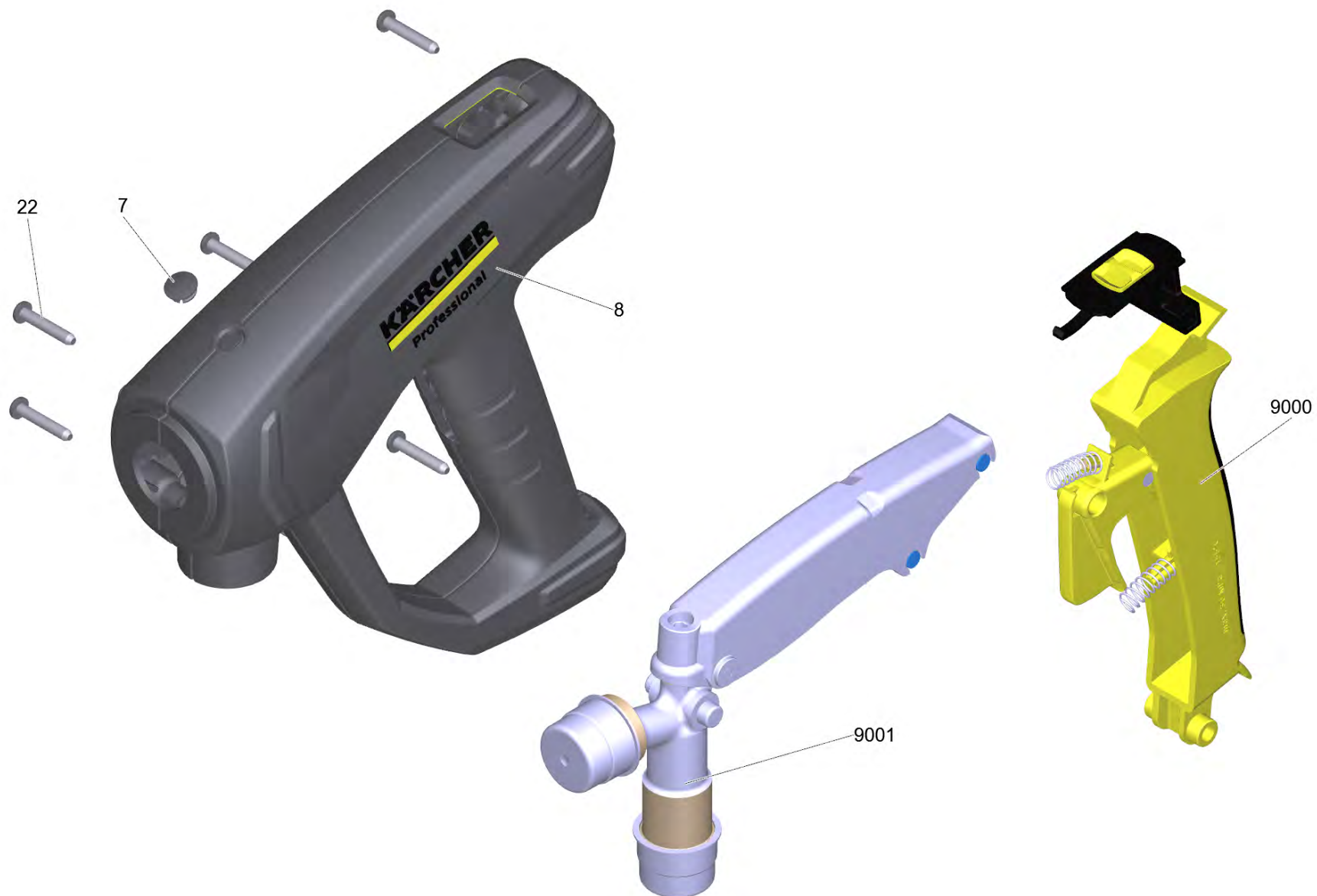
---

<b>POS</b>	<b>Article no.</b>	<b>Description</b>	<b>Quantity</b>	<b>Unit</b>
2	5.394-859.0	Protection part	1.000	ST
4	5.311-225.0	Nut	1.000	ST
6	6.362-480.0	O-Ring seal 12,42x 1,78	1.000	ST
7	6.362-460.0	O-Ring seal 14,0 X 2,5-NBR 70	1.000	ST
10	6.362-409.0	O-Ring seal 32,0 X 1,5	1.000	ST
11	7.401-902.0	Sphere 5 G20 -1.4034 DIN 5401	2.000	ST
12	5.321-884.0	Clamp	1.000	ST
15	6.363-696.0	Brake ring 14x20x3	1.000	ST

904 EASY!Force Advanced (4.118-005.0)

---

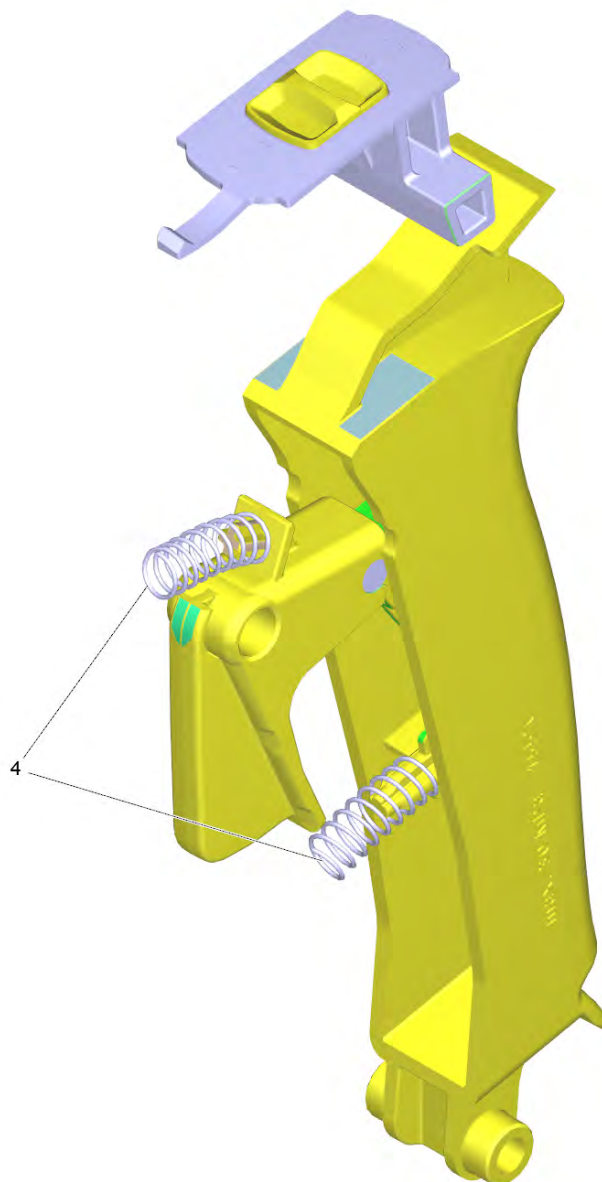
POS	Description	Quantity	Unit
1	Hand trigger gun TR EH 155	1.000	ST



## 1 Hand trigger gun TR EH 155

---

POS	Article no.	Description	Quantity	Unit
7	5.132-001.0	Plug	1.000	ST
8	5.321-136.3	Handhold few EH 155 only for replacement	1.000	ST
22	7.303-096.0	Screw 4x22 -ST-10.9-R2R (IN6RD)	7.000	ST
9000	2.885-483.0	Spare part set lever	1.000	ST
9001	4.427-014.0	Manifold TR EH 155 nur fuer Ersatz	1.000	ST

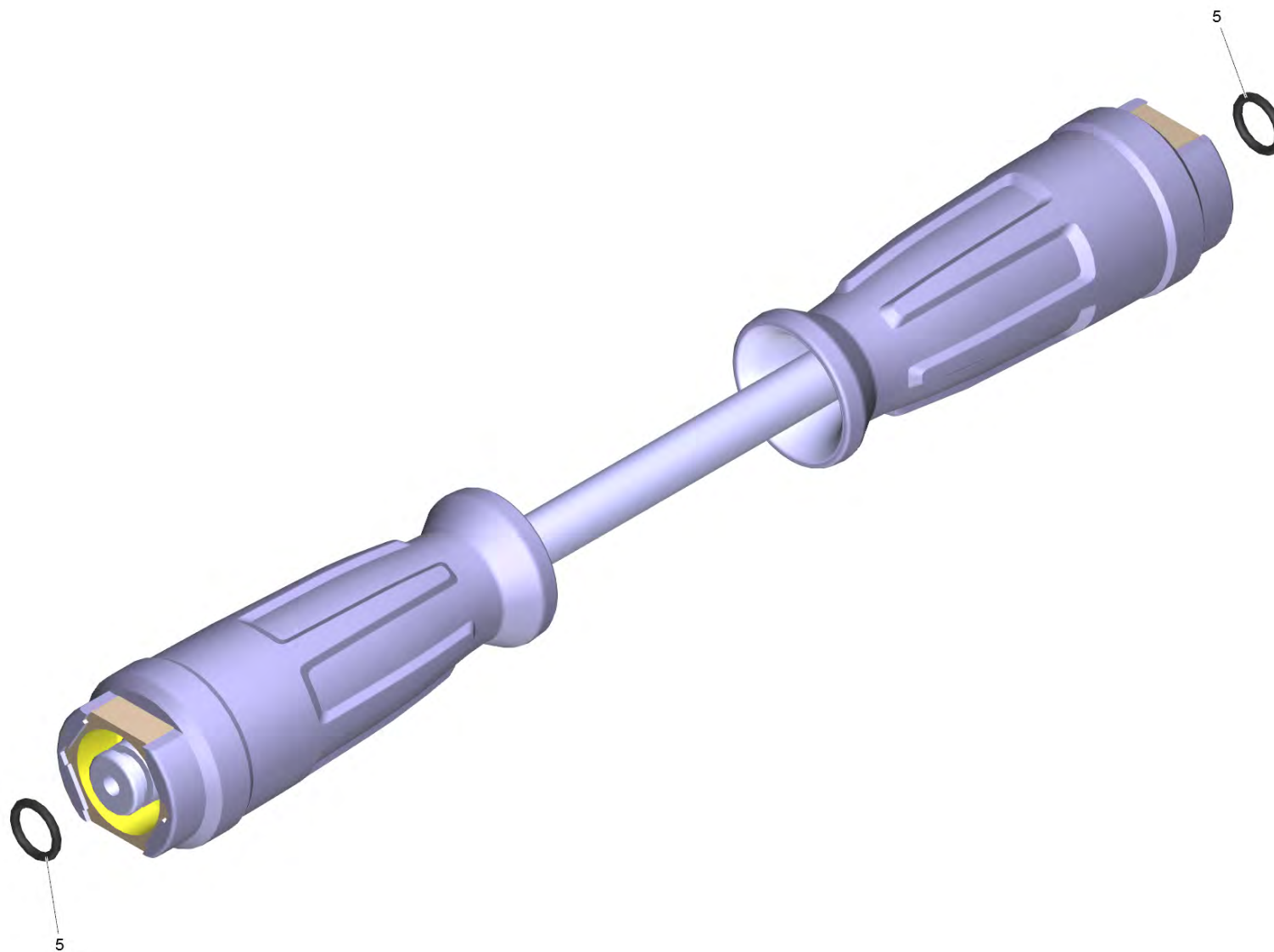




9000 Spare part set lever (2.885-483.0)

---

<b>POS</b>	<b>Article no.</b>	<b>Description</b>	<b>Quantity</b>	<b>Unit</b>
4	5.332-032.0	Helical spring	2.000	ST



907 Hose assembly TR DN6 25MPa 10m (6.110-034.0)

---

<b>POS</b>	<b>Article no.</b>	<b>Description</b>	<b>Quantity</b>	<b>Unit</b>
5	2.880-154.0	O-Ring kit	1.000	ST

---