

New Equipment Warranty

Lifetime on body, 5-years on motor and on all electrical components, 90-days on tools and accessories.

Warranty Policy

All equipment is inspected and tested before shipping from the manufacturer. All parts are warranted to be new and free from defects in workmanship and material, under normal use to the original retail purchaser. This warranty limits manufacturer's liability for defects in workmanship or materials for replacement of defective parts only. The manufacturer accepts no liability for incidental or consequential damages arisen from the use of any equipment, defective or not. This warranty is in lieu of all expressed or implied warranties and is extended only to the original retail purchaser. Manufacturer sales and service representatives are not authorized to waive or alter the terms of this warranty, or to increase the obligations of the manufacturer under the warranty. Parts replaced or repaired under this warranty are warranted for the remainder of the original warranty period.

Labor is only provided by authorized service centers. If an authorized service center is not near you, it is the purchaser's responsibility to take their machine to an authorized service center.

The manufacturer covers up to one (1) year (365 days) of service labor at the manufacturer's calculated hourly labor rate/repair time when performed by a manufacturer-authorized service provider. Ultimately, labor reimbursement costs are at the discretion of the manufacturer. At no time is the manufacturer responsible for travel time to complete on-call repairs. After one (1) year, the original retail purchaser is responsible for all labor costs with no manufacturer reimbursement.

The original purchaser must contact the manufacturer to follow correct RMA/warranty procedures. They must include a copy of the RMA Sheet enclosed in the box with the returned item. No returns shall be authorized unless the proper RMA procedures are followed. It is the responsibility of the distributor to repair the client's equipment as soon as possible.

The manufacturer charges a 25% restocking fee for any items that are being returned to stock. Items must be new, unused, free of damage and are only good for up to 30 days. After 30 days, the manufacturer does not accept the return of any items for a store credit.

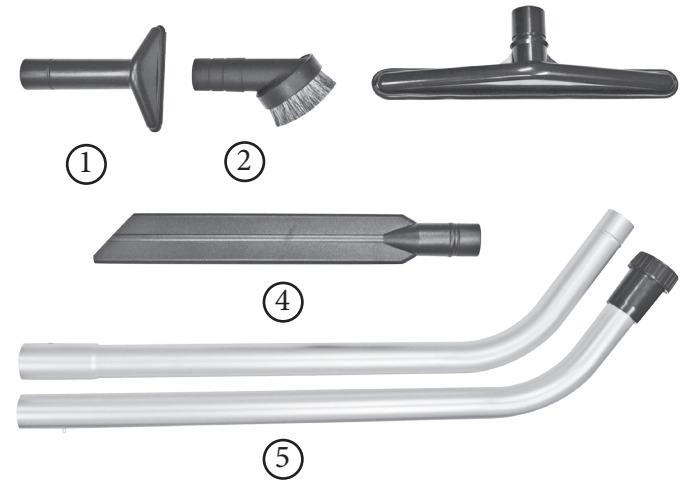
Authorized warranty replacement parts need to come directly from the manufacturer. Any use of any other parts will void warranty. The manufacturer does not reimburse for parts used by client that were not supplied directly for the machine under warranty.

The client must contact the manufacturer prior to working on or changing out of any parts, etc. The manufacturer must issue an RMA Sheet containing approved labor time and replacement parts. Do not send parts or equipment back to the manufacturer without an RMA Number and approval. No labor will be paid for, nor parts cost paid for or reimbursed, that have not previously been approved by the manufacturer. All warranty work must be approved and authorized to qualify, and appropriate warranty procedures must be followed.

The warranty starts on the purchase date by the original purchaser from an authorized distributor, subject to proof of purchase. The Machine Registration Form must be completed and sent to the original manufacturer at the time of purchase. If proof of purchase cannot be identified, the warranty start date is ninety (90) days after the date of sale to an authorized distributor.

Register your machine online at: www.sandioplastics.com/registration.aspx

8.0 5-Piece Standard Tool Kit



Drawing No.	Item No.	Description	Quantity
1	10-0031	5" Upholstery Tool	1.00
2	10-0037	3" Round Dust Brush	1.00
3	10-0032	14" Scalloped Floor Tool	1.00
4	10-0033	17" Crevice Tool	1.00
5	10-0029	2-Piece, 2-Bend Button Lock Wand	1.00

* Only Included with Select Models

7.0 Machine Parts List

Drawing No.	Item No.	Description	Quantity
1	HP-6-D-USI BLUE	Hipster Door - Us Blue Granite	1
2	10-0003	Lid Latch	4
3	10-0004	Lid Rivet	4
4	90-1024	Back-Up Washer	4
5	10-0205	Body Rivet	1
6	10-0204	Motor Mount Back-Up Washer	2
7	10-0055-L	Hipster Waist Belt Screw - Long	2
8	10-0217	Hipster Waist Belt Washer	2
9	10-0421	Hipster Waist Belt	1
10	10-0217	Hipster Waist Belt Washer	1
11	10-0055-S	Hipster Waist Belt Screw - SHORT	1
12	HP-6-L-USI BLUE	Hipster Threaded Lid (Hose) - Us Blue Granite	1
13	10-0024	1-1/2" Black Vacuum Hose (NO CUFF)	4
14	10-0195	Swivel Cuff	1
15	10-0050-B	Vac Rivet	2
16	90-1024	Back-Up Washer	2
17	HP-6-T-USI BLUE	Grey Granite Hipster Tank - Us Blue Granite	1
18	10-0007-6	6qt. Cloth Bag for 6qt. Hipster	1
19A	10-0197	6qt. Paper Bags (10 Pack)	0.1
19B	10-0197-HEPA	6qt. HEPA Paper Bags (10 Pack) - HEPA Models Only	0.1
20	HP-6-B-BLKGRAN	Hipster Base - Black Granite	1
21	10-0025	On/Off Switch	1
22	10-0028	50-Foot Electrical Cord	1
23	10-0026	17" Power Cord	1
24	10-0027	Pigtail Strain Relief	1
25	10-0027-A	Strain Relief Nut	1
26	10-0219-H	Hipster Motor Filter w/ Bag Support Plate	1
27A	10-0013	Super Motor - Super/HEPA Models Only	1
27B	10-0346	D.P. Motor - D.P. Models Only	1
28	10-0199	Vacuum Motor Gasket	1
29	10-0015	1/4" Flat Washer	4
30	10-0014	Motor Screw	4
31	10-0074	Flat Washer #8 SAE	4
32	10-0216	Allen Head Screw for Backpack	4
33	10-0004	Lid Rivet	2
34	10-0202	Grommet for Hipster Lid	1

1.0 Safety Instructions

READ THIS MANUAL BEFORE OPERATING MACHINERY. KNOW THE PROPER SET-UP, OPERATION, CORRECT APPLICATIONS AND THE LIMITATIONS OF THIS EQUIPMENT **BEFORE** USE.

This Hip Vacuum will afford you many years of trouble-free operating satisfaction, provided it is given the proper care. All parts have passed rigid quality control standards throughout the assembly process. Prior to packaging, your Hip Vacuum was again inspected for assurance of flawless operation.

This Hip Vacuum is protectively packed to prevent damage in shipment. We recommend that upon delivery, unpack the unit and inspect it for any possible damage. Only a visual inspection will reveal damage that may have occurred.

If damage is discovered, immediately notify the transportation company that delivered your vacuum. As a shipper, we are unable to report any claim for damage. You must originate any claim within five (5) days.

This manual is for your protection and information. Please read carefully since failure to follow precautions could result in discomfort or injury.

Reduce the Risk of Fire, Electric Shock or Injury

DO NOT USE ON WET SURFACES OR EXPOSE TO RAIN. STORE INDOORS.

Use only as described in this safety operating manual. Use only the manufacturer's recommended attachments, accessories, replacement parts and filters. Replace damaged or worn parts immediately with genuine, original equipment parts to maintain safety and to protect your limited warranty.

Always turn OFF the vacuum before connecting, disconnecting or working on the vacuum. This vacuum must be connected to a properly grounded outlet only (see grounding instructions). The extension cord provided with this unit is 50-foot, 16/3-gauge wire and **MUST** be used with this unit to ensure grounding protection. Turn off all controls before unplugging. Make sure the on/off switch is in the off position. This is not a toy. Close attention is necessary when used around or near children. Use extra care when cleaning on stairs.

NOTE: when using the vacuum with a powerhead tool and connection, always turn off the vacuum and nozzle tool before connecting or disconnecting either the hose or power nozzle. Depending on your vacuum model, the hose may contain electrical wires.

- **DO NOT** leave the vacuum when plugged in. Unplug it from the outlet when not in use and before servicing.
- **DO NOT** use this vacuum with a damaged cord or plug. If the vacuum is not working as it should because it has been dropped, damaged, left outdoors or dropped into water, etc., contact an authorized service center.
- **DO NOT** unplug the vacuum by pulling the cord. To unplug, grasp the plug, not the cord. **DO NOT** pull or carry by the cord, use the cord as a handle, close a door on the cord, or pull the cord around sharp edges or corners. Keep the cord away from heated surfaces.
- **DO NOT** overstretch the safety power cord between the vacuum and the electrical outlet in the wall.

1.0 Safety Instructions Continued

Reduce the Risk of Fire, Electric Shock or Injury.

- DO NOT tie an extension cord to the pigtail cord. This will damage the cord and will VOID your warranty.
- DO NOT handle the plug of the vacuum with wet hands.
- DO NOT vacuum up any liquids. This vacuum is for dry use only!
- DO NOT expose to rain or use on wet surfaces, to avoid electric shock. Store indoors.
- DO NOT pick up anything that is burning or smoking such as cigarettes, matches or hot ashes.
- DO NOT use the vacuum to pick up flammable or combustible liquids such as gasoline or use in areas where they may be present.
- DO NOT use where oxygen or anesthetics are used.
- DO NOT put objects into openings or use with any openings blocked. Keep free of dust, lint, hair and anything that may reduce air flow. Keep hair, loose clothing, fingers, and all body parts away from openings and moving parts to ensure safe operation.
- DO NOT use without the proper cloth filtration bag, paper filter bag and other filters in place. Failure to do so, will VOID your warranty.
- DO NOT use if any hoses or nozzles are damaged, cut or punctured.
- DO NOT lubricate the motor. If the motor is lubricated, this will VOID your warranty.

2.0 Grounding Instructions

DANGER: IMPROPER GROUNDING METHOD CAN RESULT IN A RISK OF ELECTRIC SHOCK!

Electrical equipment must be grounded. Improper connection of the equipment grounding conductor can result in a risk of electric shock. If the equipment should malfunction or breakdown, grounding provides a path of least resistance for electrical current to reduce the risk of electric shock.

This vacuum is equipped with a cord containing a grounding conductor and grounding plug. The plug must be inserted into an appropriate outlet that is properly installed and grounded in accordance with all local codes and ordinances.

Check with a qualified electrician or service person if you are in doubt as to whether the outlet is properly grounded. DO NOT modify the plug provided with the equipment. If it will not fit into the outlet, have a proper outlet installed by a qualified electrician.

If repair or replacement of the cord or plug is necessary, DO NOT connect the grounded wire to a flat bed terminal. The wire with insulation having an outer surface that is green with or without yellow stripes is the grounding wire.

NOTE: In Canada, the use of a temporary adapter is not permitted by the Canadian Electrical Code.

6.0 Machine Schematic Drawing

