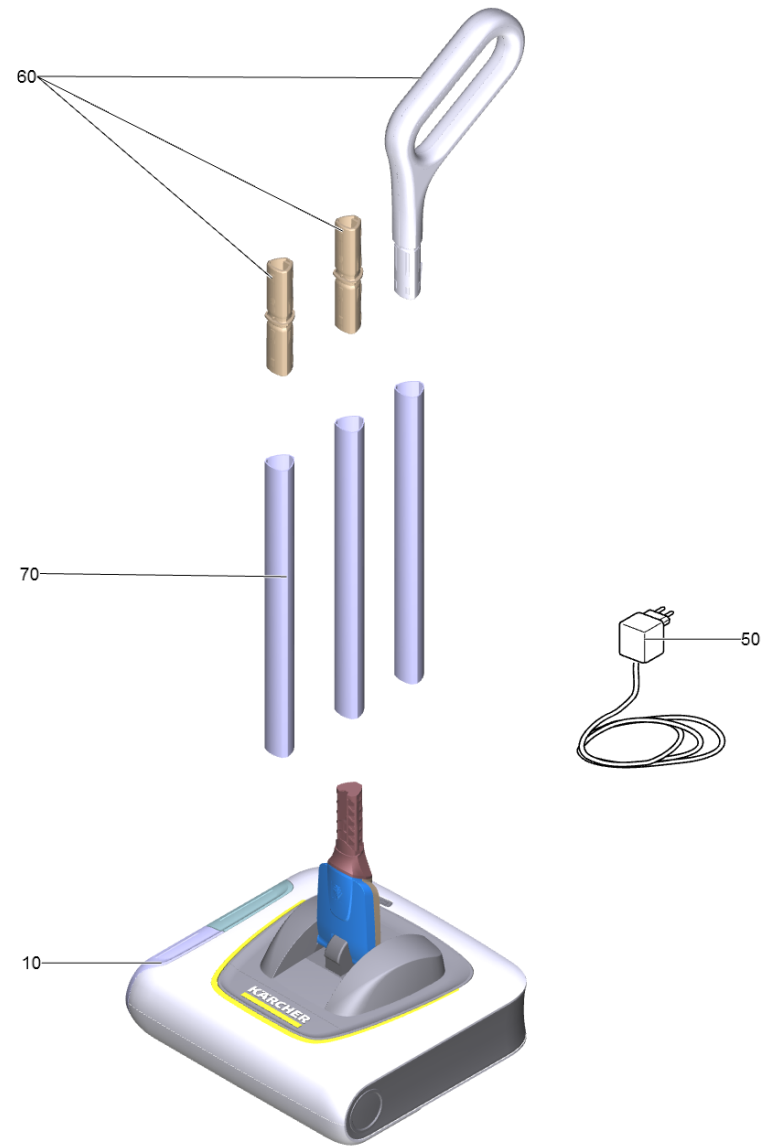


Spare parts list

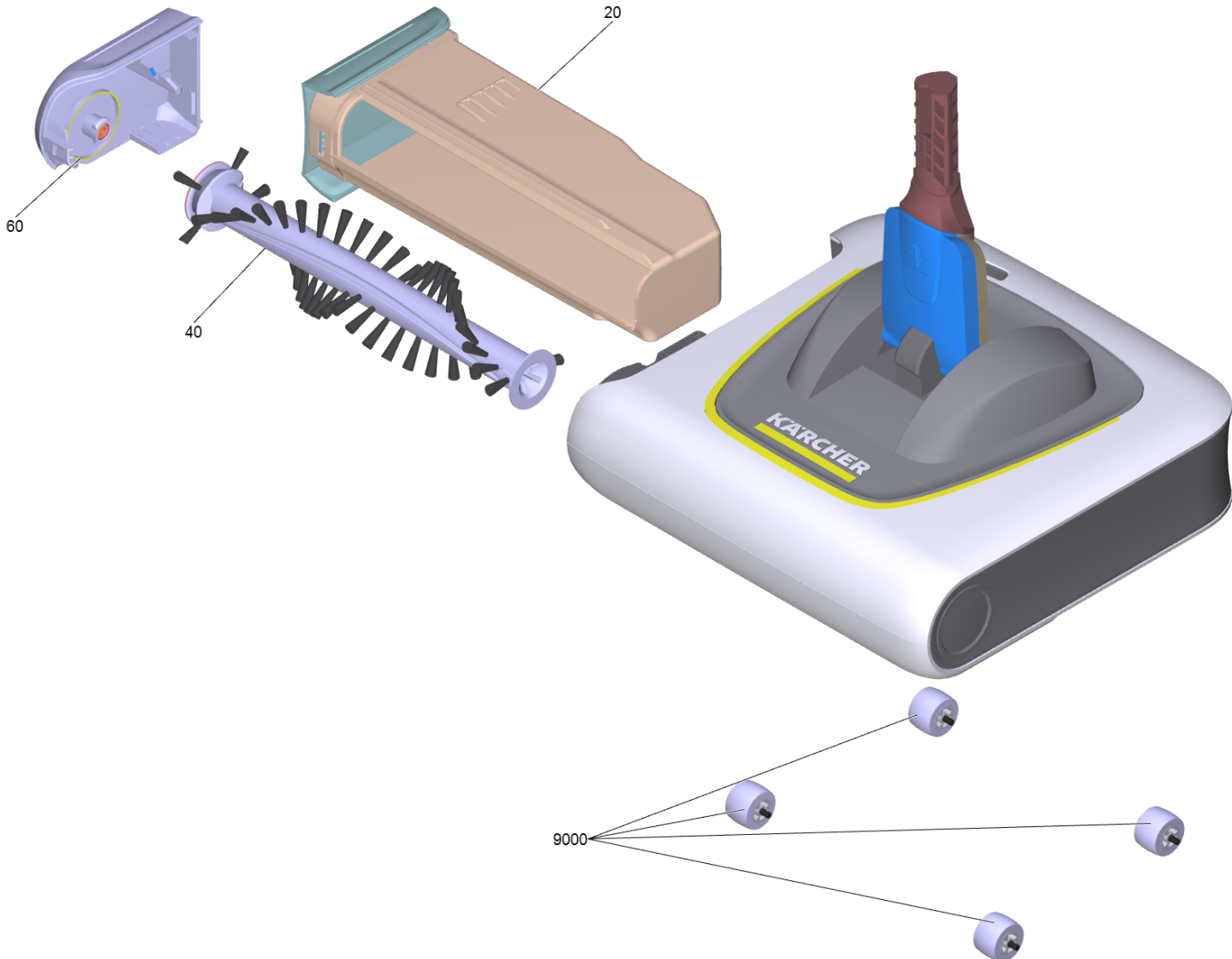
(1.258-019.0) KB 5 (BB)

Table of contents

KB 5 (BB) (1.258-019.0)	3
10 Accu broom basic	5
110 Short spare parts list	7

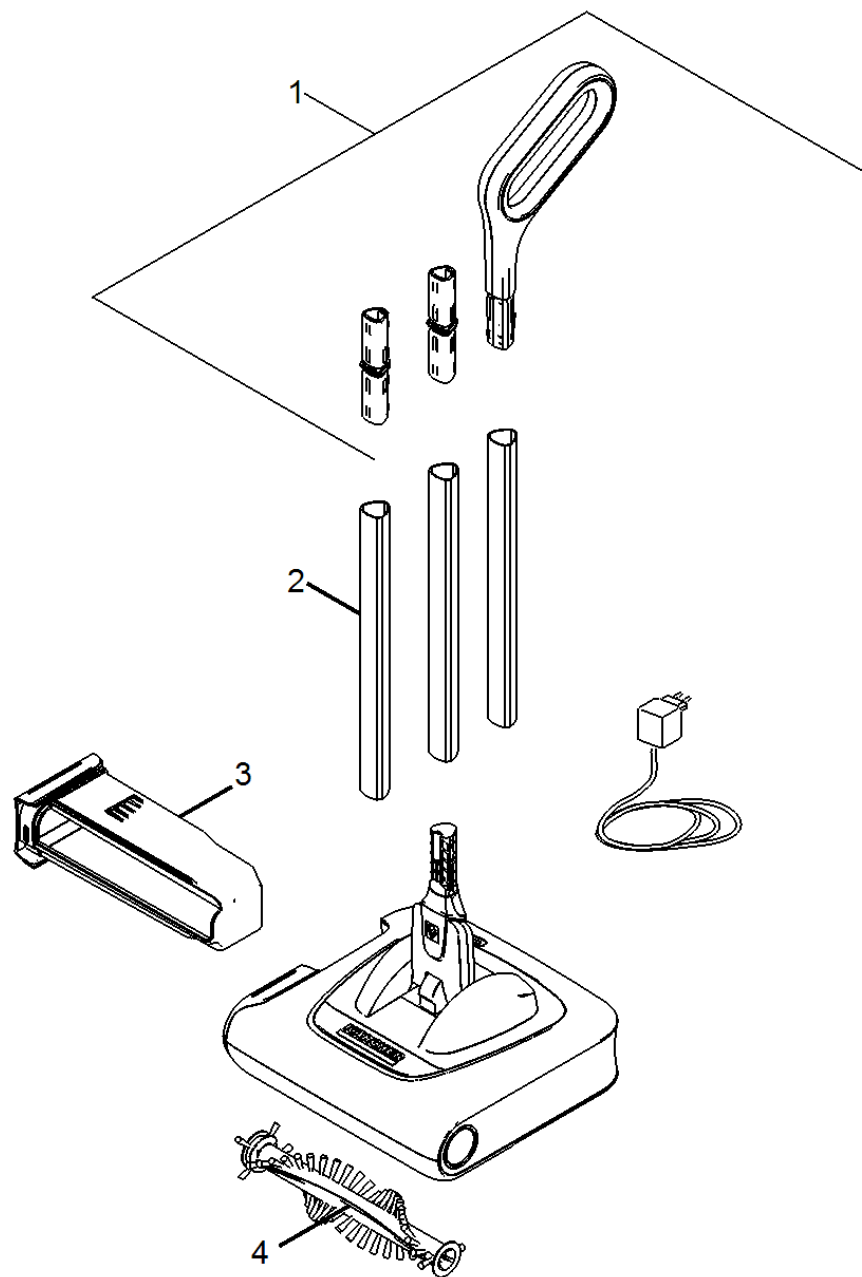


POS	Article no.	Description	Quantity	Unit
10		Accu broom basic	1.000	ST
50	6.654-353.0	Power supply PS01 Pihong *MX/ JP/ TW/ K	1.000	ST
60	4.258-180.3	Hand grip packaged	1.000	ST
70	5.258-046.3	Handle packaged	3.000	ST
110		Short spare parts list	1.000	ST



10 Accu broom basic

POS	Article no.	Description	Quantity	Unit
20	4.258-130.3	Dirt box completely packaged	1.000	ST
40	4.258-150.3	Brush completely packaged	1.000	ST
60	4.258-220.0	Covering cap brush	1.000	ST
9000	4.070-303.0	Set rollers packaged	1.000	ST



110 Short spare parts list

POS	Article no.	Description	Quantity	Unit
1	4.258-180.3	Hand grip packaged	1.000	ST
2	5.258-046.3	Handle packaged	3.000	ST
3	4.258-130.3	Dirt box completely packaged	1.000	ST
4	4.258-150.3	Brush completely packaged	1.000	ST