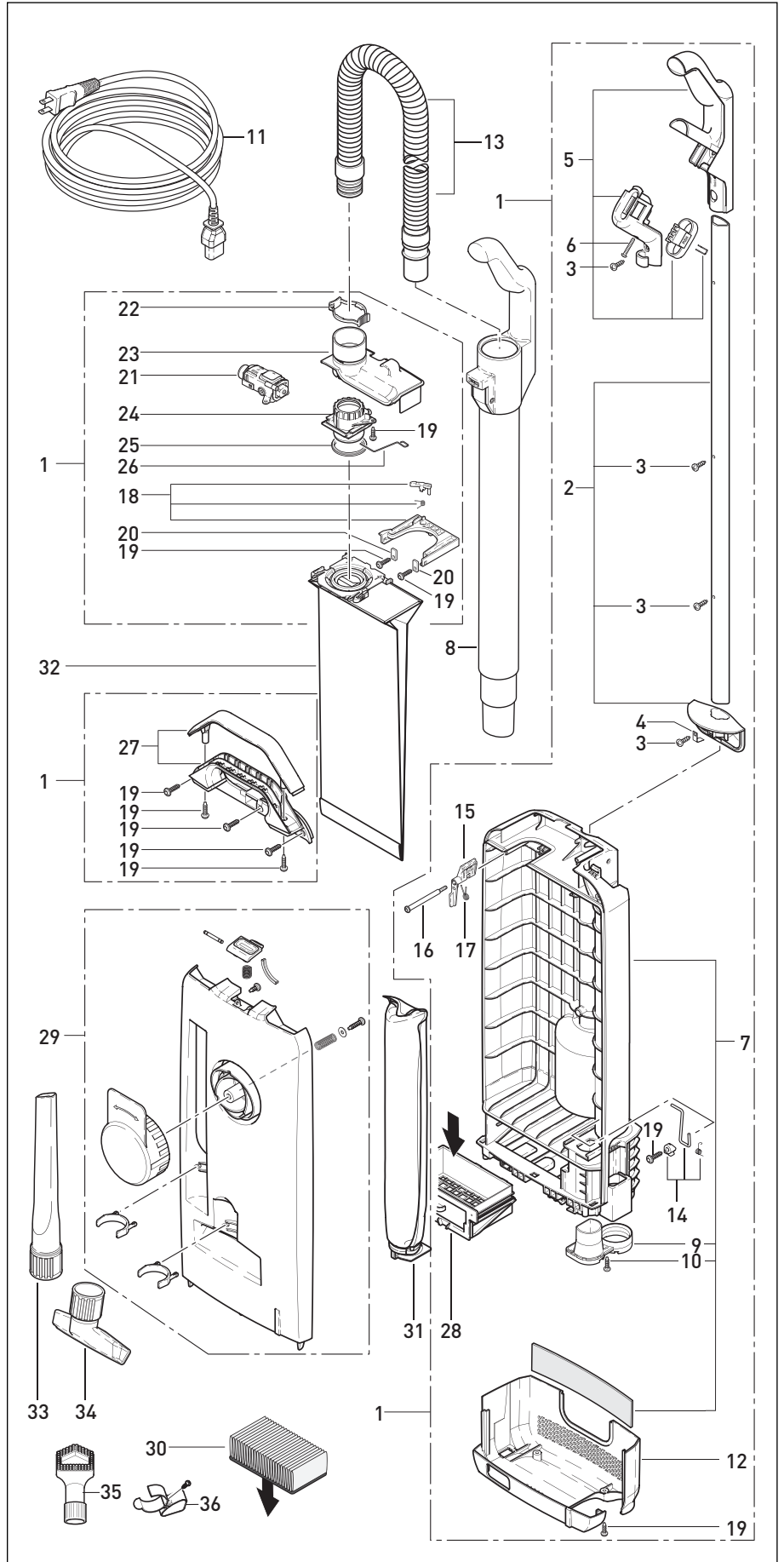


# MECHANICAL SCHEMATIC AND PARTS LIST

## Dust Bag Housing and Handle

#91303AM, #91313AM

Pos.	Part #	Description
1	50100SE	Dust bag housing cpl.
2	50145SE	Handle tube incl. tube cover
3	0127	Screw M4 x 10k, taptite
4	50147ER	Clamp
5	50153HGER	Handle cpl.
6	0104	Screw C3.9 x 25 DIN 7981
7	50200GS	Dust bag housing
8	50165HG	Extension tube
9	50105HG	Connection tube
10	0107	Screw C2.9 x 13
11	501843	Cable w/US-plug (gray-black) 13m
12	50118HG	Dust bag housing bumper base
13	5040SB	Hose cpl. X (silver)
14	50205ER	Filter safety catch cpl.
15	50122OR	Dust bag lever
16	50123ER	Axle
17	50124ER	Return spring
18	50125ER	Bag holder
19	01036	Screw 4 x 14
20	2014	Axle clamp
21	50209ER	Filter indicator
22	5424GS1	Retaining ring
23	50130HG	Recessed grip
24	50131HG	Fitting
25	5289	Seal
26	50142ER	Anti-static wire
27	50143GSER	Carry handle
28	50216OR	Box exhaust filter
29	50215GS	Back cover
30	50170ER	Exhaust filter
31	5036ER	Micro hygiene filter
32	5093AM	Dust bag
33	1092JE	Crevice nozzle (lt. gray)
34	1491JE	Upholstery nozzle
35	1387GS	Dusting brush
36	1081GS	Mounting clip w/screw

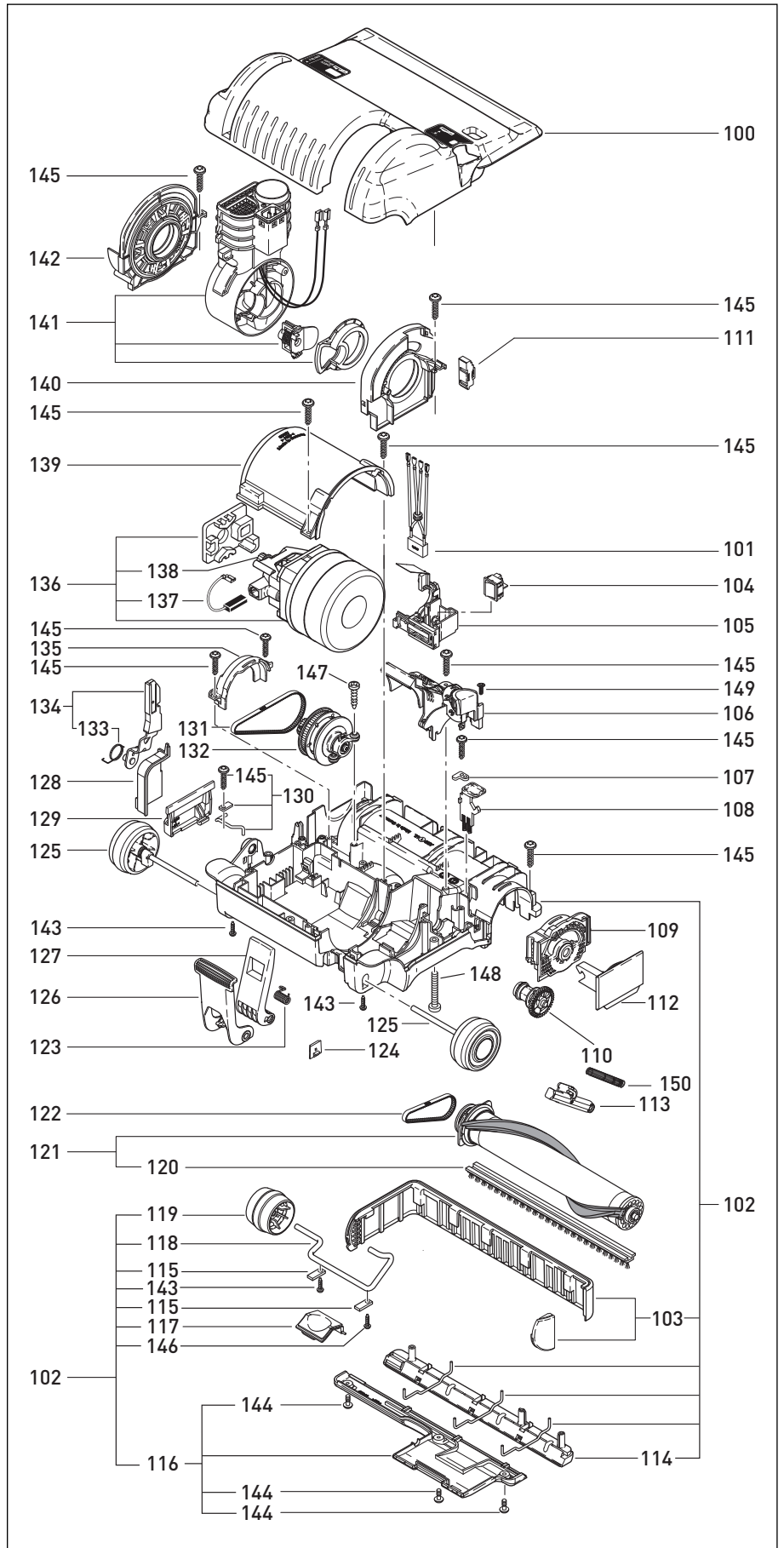


# MECHANICAL 300 SCHEMATIC AND PARTS LIST

## Power Head

#91303AM

Pos.	Part #	Description
100	50401GSAM	Power head cover 300
101	1013ER	Suppressor kit
102	50414HGER	Chassis 300
103	50313HG	Bumper
104	05112WI	Switch cpl.
105	50443UL	Switching unit
106	50308ER	Air channel cover
107	2856	Clamp
108	50403HGER	Brush roller release 300
109	50356HG	Bearing block r.h.
110	50367HG	Position cams
111	2833	Thrust member
112	50352HG	Brush strip cover
113	2834	Thrust member
114	50404HGER	Front bottom plate
115	2849	Axle clamp
116	50310HGER	Rear bottom plate 300
117	2868OR	Access door
118	2861	Pile adjustment axle
119	5174HG	Pile adjustment wheel
120	50415	Brush strip
121	50470ER	Brush roller 300
122	5110	Belt 219 3M HTDII-6
123	50332ER	Spring
124	2869HG	Rubbing plate
125	50348HGER	Axle w/wheel
126	50330OR	Foot pedal
127	50331HG	Catch pedal
128	50334SW	Covering cap
129	50306OR	Power switch button
130	50371ER	Switch rod
131	5379	Belt 312 3M HTDII-6
132	50445ER	Sensor
133	5107-1	Support spring
134	50438HGER	Support lever w/spring
135	50355HG	Bearing block l.h.
136	50465ER	Motor 1000 W/120V
137	05117S	Carbon brush set (100/120V)
138	5117/1	Sensor pulley
139	50441UL	Motor cover
140	50440ER	Swivel neck support r.h.
141	50448HG	Swivel neck cpl. 2-wire
142	50439ER	Swivel neck support l.h.
143	0102	Screw F 3.9 x 13
144	0197	Screw M 4 x 12 Z1
145	01016	Screw STS 4 x 16 T20
146	01010	Screw AM 4 x 16 DIN 7985
147	0104	Screw C 3.9 x 25 DIN 7981
148	0176	Screw AM 4 x 30
149	01042	Screw 4 x 10
150	2867	Spring



# MECHANICAL 350 SCHEMATIC AND PARTS LIST

## Power Head

#91313AM

Pos.	Part #	Description
100	50431GSAM	Power head cover 350
101	1013ER	Suppressor kit
102	50444HGER	Chassis 350
103	50314HG	Bumper
104	05112WI	Switch cpl.
105	50443UL	Switching unit
106	50308ER	Air channel cover
107	2856	Clamp
108	50433HGER	Brush roller release 350
109	50356HG	Bearing block r.h.
110	50367HG	Position cams
111	2833	Thrust member
112	50352HG	Brush strip cover
113	2834	Thrust member
114	50434hgER	Front bottom plate 350
115	2849	Axle clamp
116	50311HGER	Rear bottom plate 350
117	28680R	Access door
118	2861	Pile adjustment axle
119	5174HG	Pile adjustment wheel
120	2046	Brush strip
121	50471ER	Brush roller 350
122	5110	Belt 219 3M HTDII-6
123	50332ER	Spring
124	2869HG	Rubbing plate
125	50348HGER	Axle w/wheel
126	503300R	Foot pedal
127	50331HG	Catch pedal
128	50334SW	Covering cap
129	50306OR	Power switch button
130	50371ER	Switch rod
131	5379	Belt 312 3M HTDII-6
132	50445ER	Sensor
133	5107-1	Support spring
134	50438HGER	Support lever w/spring
135	50355HG	Bearing block l.h.
136	50465ER	Motor 1000 W/120V
137	05117S	Carbon brush set (100/120V)
138	5117/1	Sensor pulley
139	50441UL	Motor cover
140	50440ER	Swivel neck support r.h.
141	50448HG	Swivel neck cpl. 2-wire
142	50439ER	Swivel neck support l.h.
143	0102	Screw F 3.9 x 13
144	0197	Screw M 4 x 12 Z1
145	01016	Screw STS 4 x 16 T20
146	01010	Screw AM 4 x 16 DIN 7985
147	0104	Screw C 3.9 x 25 DIN 7981
148	0176	Screw AM 4 x 30
149	2867	Spring

