

POS	Article no.	Description	Quantity	Unit
13	5.605-061.0	Housing electronics UL	1.000	ST
15	6.273-356.0	Sealing strip	1.000	ST
17	4.070-384.0	Cover set	1.000	ST
18	5.107-004.0	Guide screw	2.000	ST
21	5.605-019.0	Housing air circulation above	1.000	ST
22	6.649-914.0	Tab	1.000	ST
23		Control system TACT TE 115V	1.000	ST
23	4.071-278.0	Control system TACT TE 115V	1.000	ST
24	4.070-344.0	Control panel set Tact Te	1.000	ST
25	5.744-001.0	Handle	1.000	ST
26	6.630-806.3	Rotary switch	1.000	ST
29	4.070-345.0	Fixing case	2.000	ST
34	5.744-002.0	Handle number of revolutions/hose select	1.000	ST
35	6.682-854.0	Circuit board speed control	1.000	ST
36	6.645-862.0	Plug socket *	1.000	ST
39	5.395-427.3	Label plug socket 6V	1.000	ST
42	4.071-101.0	Magnet sensor set	1.000	ST
44	5.034-097.0	Suction nipple electrically conducting T	1.000	ST
45	5.033-994.0	Suction nipple bottom	1.000	ST
50	4.071-022.0	Filter cover set NT Tact	1.000	ST
50		Accessories	1.000	ST
51	4.070-471.0	Filter cover top part	1.000	ST
52	4.071-086.0	Hose hook set	2.000	ST
55	4.070-360.0	Antislip rubber set	1.000	ST
59	5.064-101.0	Magnet covering cap	1.000	ST
60	5.322-157.0	Filter cover closure	1.000	ST
61	5.317-231.0	Bolt hook	2.000	ST
62	5.333-221.0	Spring	1.000	ST
63	5.031-100.3	Moulded part cover filter	1.000	ST
64	5.044-233.0	Holder magnet	1.000	ST
65	6.650-828.0	Cable magnet UL	1.000	ST
66	4.607-050.0	Magnet 100 V	1.000	ST
67	5.005-277.0	Plate magnet	1.000	ST

POS	Article no.	Description	Quantity	Unit
68	5.582-143.0	Valve disc UL	1.000	ST
70	5.332-975.0	Spring soft	1.000	ST
71	5.064-056.3	Holder flat filter	1.000	ST
72	6.907-629.0	Flat-pleated filter packaged HEPA PTFE	1.000	ST
73	5.064-055.0	Frame flat-pleated filter	1.000	ST
90	4.070-395.0	Housing air circulation set	1.000	ST
91	5.033-038.0	Holder accessories NW35	1.000	ST
92	6.650-530.3	Power cable rubber 7,5m	1.000	ST
93	6.346-043.0	Ferrite ring	2.000	ST
96	5.605-058.0	Cover housing air circulation	1.000	ST
98	5.363-735.0	Seal vacuum motor above	1.000	ST
99	5.363-795.0	Seal vacuum motor center	1.000	ST
100	6.490-310.0	Vac motor 120V/Thermopr.	1.000	ST
101	5.363-256.0	Seal bottom	1.000	ST
102	4.071-275.0	Housing base plate set	1.000	ST
104	5.064-057.0	Air circulation	1.000	ST
105	5.363-187.0	Seal supply air	1.000	ST
108	5.034-505.0	Retaining bracket cable	1.000	ST
120	6.650-834.0	Cable black AWG 14/200	1.000	ST
121	6.650-835.0	Cable white AWG 14/200	1.000	ST
122	6.650-830.0	Cable white AWG 16/270	2.000	ST
123	6.650-831.0	Cable black AWG 16/270	1.000	ST
124	6.650-832.0	Cable probe light blue AWG 18/490	1.000	ST
127	6.650-833.0	Cable green AWG 14/180	1.000	ST
130	4.071-033.0	Tank set NT 50/1	1.000	ST
131	5.105-025.0	Axle	1.000	ST
132	5.044-456.0	Holder axle	2.000	ST
133	5.044-317.0	Holder floor nozzle	1.000	ST
134	5.515-088.0	Wheel D220	2.000	ST
135	6.343-168.0	Lock washer	2.000	ST
136	5.515-093.0	Wheel cap large RAL 7012	2.000	ST
138	6.435-896.0	Castor with brake Ø100	2.000	ST
170	4.071-034.0	Shearing shackle bottom set	1.000	ST



POS	Article no.	Description	Quantity	Unit
171	4.071-040.0	Shearing shackle above set	1.000	ST
172	5.034-096.0	Screen holder accessories	1.000	ST
174	4.071-041.0	Swivel joint set	1.000	ST
178	5.031-190.0	Holder shearing shackle	1.000	ST
179	5.037-200.0	Hook yellow	1.000	ST
180	7.314-040.0	Straight pin 5m6x50 -A1 ISO 2338	1.000	ST
185	6.391-002.0	Drain hose DN 32 NT 611 ECO	1.000	ST
186	6.363-250.0	Joint ring 32x44	1.000	ST
187	5.031-940.0	Hexagon nut	1.000	ST
188	9.411-023.0	Ring	1.000	ST
204	6.647-762.0	Insulation housing	2.000	ST
205	6.647-748.0	Insulation sheath	2.000	ST
206	6.647-749.0	Insulation sheath 4,8	2.000	ST
228	5.395-063.0	Label for wet-/dry vacuum cleaner	1.000	ST
229	5.395-070.0	Label	1.000	ST
259	7.303-285.0	Screw 4x30 -10.9-R2R (K-In6Rd)	6.000	ST
260	7.303-234.0	Screw 5x60 -10.9-A2K (K-In6Rd)	2.000	ST
261	7.303-171.0	Screw 5x80 -10.9-R2R (K-In6Rd)	10.000	ST
262	7.303-111.0	Screw 5x50 -10.9-R2R (K-In6Rd)	2.000	ST
263	7.303-086.0	Screw 5x30 -10.9-R2R (K-In6Rd)	7.000	ST
264	7.303-096.0	Screw 4x22 -ST-10.9-R2R (IN6RD)	8.000	ST
265	7.303-030.0	Screw M4x8 -St-P2R (In6Rd)	1.000	ST
266	6.303-568.0	Oval head screw with hexalobular socket	1.000	ST
267	7.303-129.0	Screw 4x16 -10.9-R2R (K-In6Rd)	3.000	ST
268	7.303-323.0	Screw 5x130 -10.9-R2R (In6Rd)	4.000	ST
269	7.303-147.0	Screw M 8x50-ST-A3E (IN6RD)	2.000	ST
271	6.303-318.0	Screw 3,5x12-10.9-R2R (IN6RD)	2.000	ST
272	7.303-206.0	Screw 3,5x16 -10.9-A2E (In6Rd)	2.000	ST
280	7.312-039.0	Serrated lock washer A4,3-1.4310 DIN 67	1.000	ST
286	7.312-066.0	Washer 10 -A2 ISO 7089	2.000	ST
287	6.343-139.0	Lock washer	1.000	ST
290	7.311-570.0	Square nut M8 -05-A2E DIN 557	2.000	ST
291	7.311-620.0	Cap nut M8 -A2 DIN 986	4.000	ST

# NT 50/1 Tact Te \*CUL (1.148-416.0)

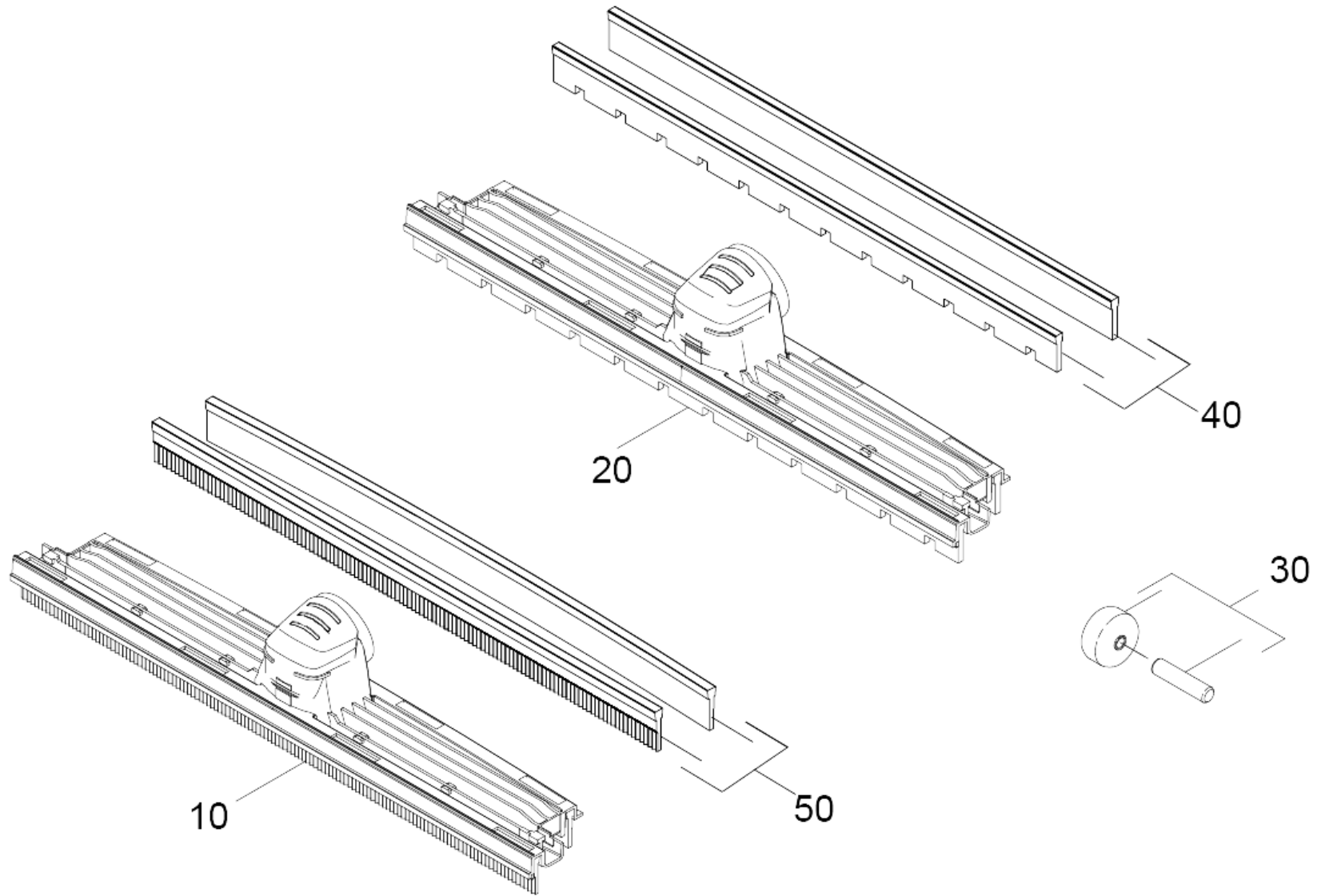
Professional \ Vacuum cleaner \ Wet-/dry vacuum cleaner \ NT 50/1 Tact Te \*CUL



POS	Article no.	Description	Quantity	Unit
292	7.311-621.0	Cap nut M10-A2 DIN 986	2.000	ST
300	2.889-155.0	Filter bags-fleece 5 piece 40-50 Liter	1.000	ST
9900	2.889-281.0	Membrane filter packaged Kärcher	1.000	ST

# 1 Floor tool complete NW35

Professional \ Vacuum cleaner \ Wet-/dry vacuum cleaner \ NT 50/1 Tact Te \*CUL \ Accessories \ Floor tool packaged NW35 360mm \ Floor tool complete NW35



## 1 Floor tool complete NW35

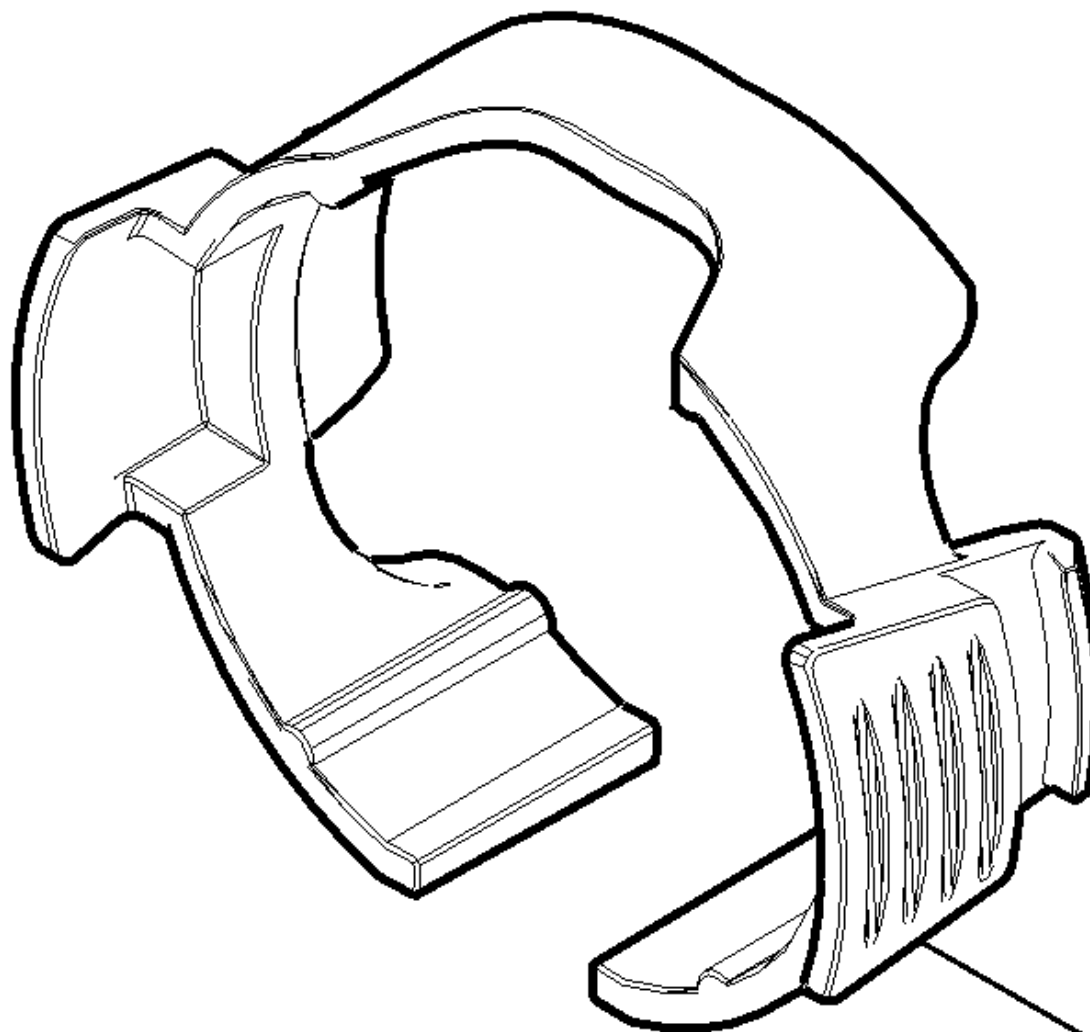
Professional \ Vacuum cleaner \ Wet-/dry vacuum cleaner \ NT 50/1 Tact Te \*CUL \ Accessories \ Floor tool packaged NW35 360mm \ Floor tool complete NW35



POS	Article no.	Description	Quantity	Unit
10	4.862-020.0	Assembly group holder rubber lips	1.000	ST
20	4.862-017.0	Assembly group holder brush strips	1.000	ST
30	4.515-342.0	Roller complete with axle	2.000	ST
40	4.071-606.0	Spare parts set brush strip packaged	1.000	ST
50	4.071-607.0	Spare parts set rubber lips packaged	1.000	ST

# 10 Suction hose complete NW35 4,0m (4.440-040.0)

Professional \ Vacuum cleaner \ Wet-/dry vacuum cleaner \ NT 50/1 Tact Te \*CUL \ Accessories \ Hose packaged NW35 4.0m \ Suction hose complete NW35 4.0m



**5**

## 10 Suction hose complete NW35 4,0m (4.440-040.0)

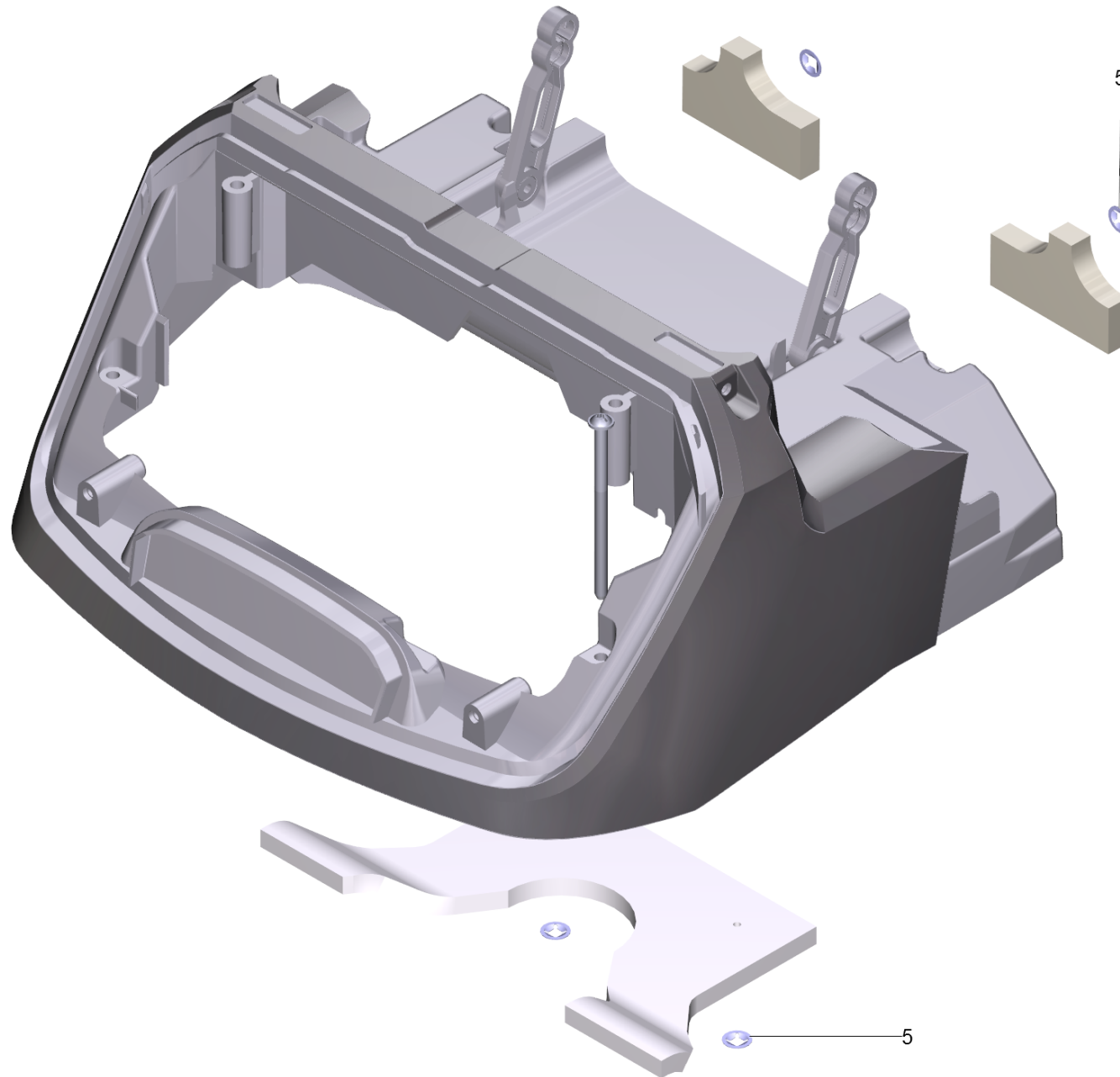
Professional \ Vacuum cleaner \ Wet-/dry vacuum cleaner \ NT 50/1 Tact Te \*CUL \ Accessories \ Hose packaged NW35 4.0m \ Suction hose complete NW35 4,0m



POS	Article no.	Description	Quantity	Unit
5	5.031-140.0	Tension ring NW35	1.000	ST

# 17 Cover set (4.070-384.0)

Professional \ Vacuum cleaner \ Wet-dry vacuum cleaner \ NT 50/1 Tact Te \*CUL \ Cover set



## 17 Cover set (4.070-384.0)

Professional \ Vacuum cleaner \ Wet-/dry vacuum cleaner \ NT 50/1 Tact Te \*CUL \ Cover set

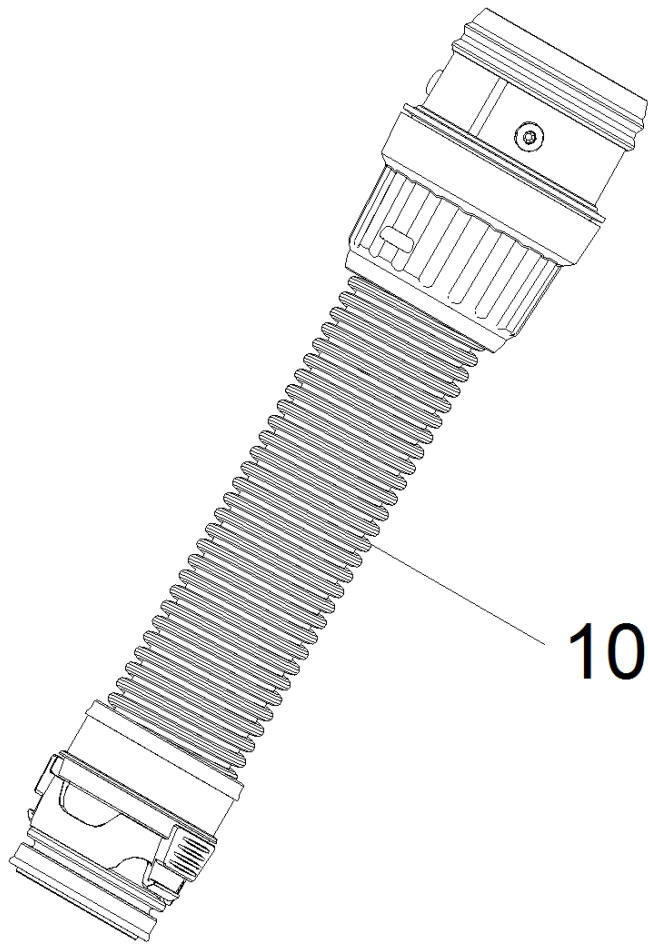


POS	Article no.	Description	Quantity	Unit
5	6.343-145.0	Lock washer 5	4.000	ST

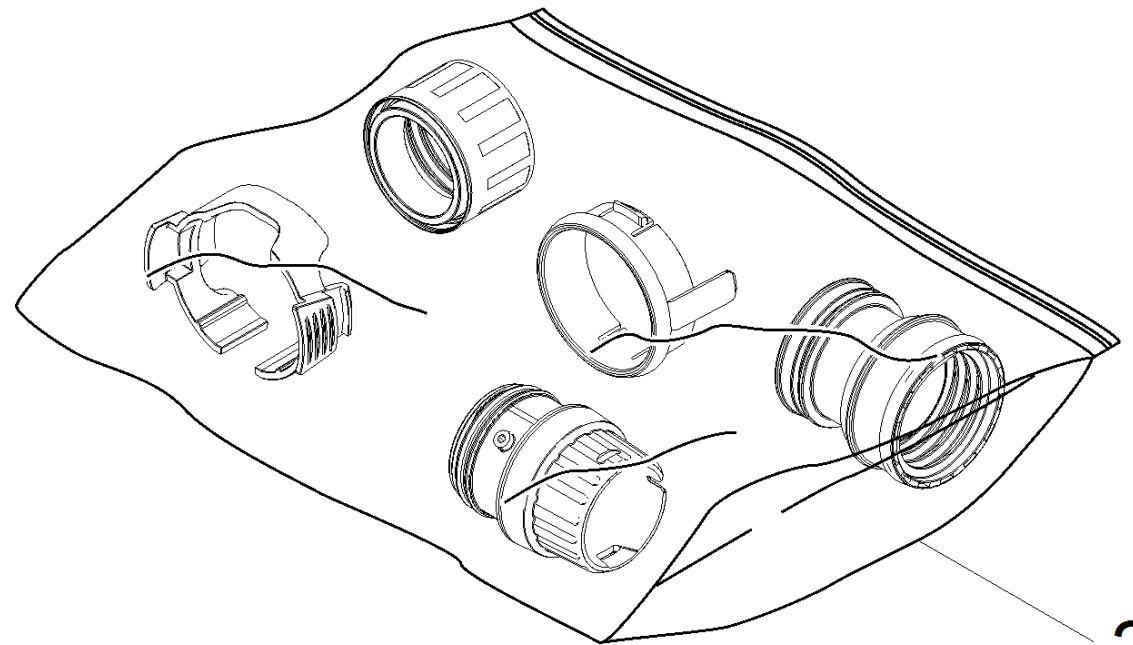


## 20 Hose packaged NW35 4.0m (2.889-135.0)

Professional \ Vacuum cleaner \ Wet-/dry vacuum cleaner \ NT 50/1 Tact Te \*CUL \ Accessories \ Hose packaged NW35 4.0m



10



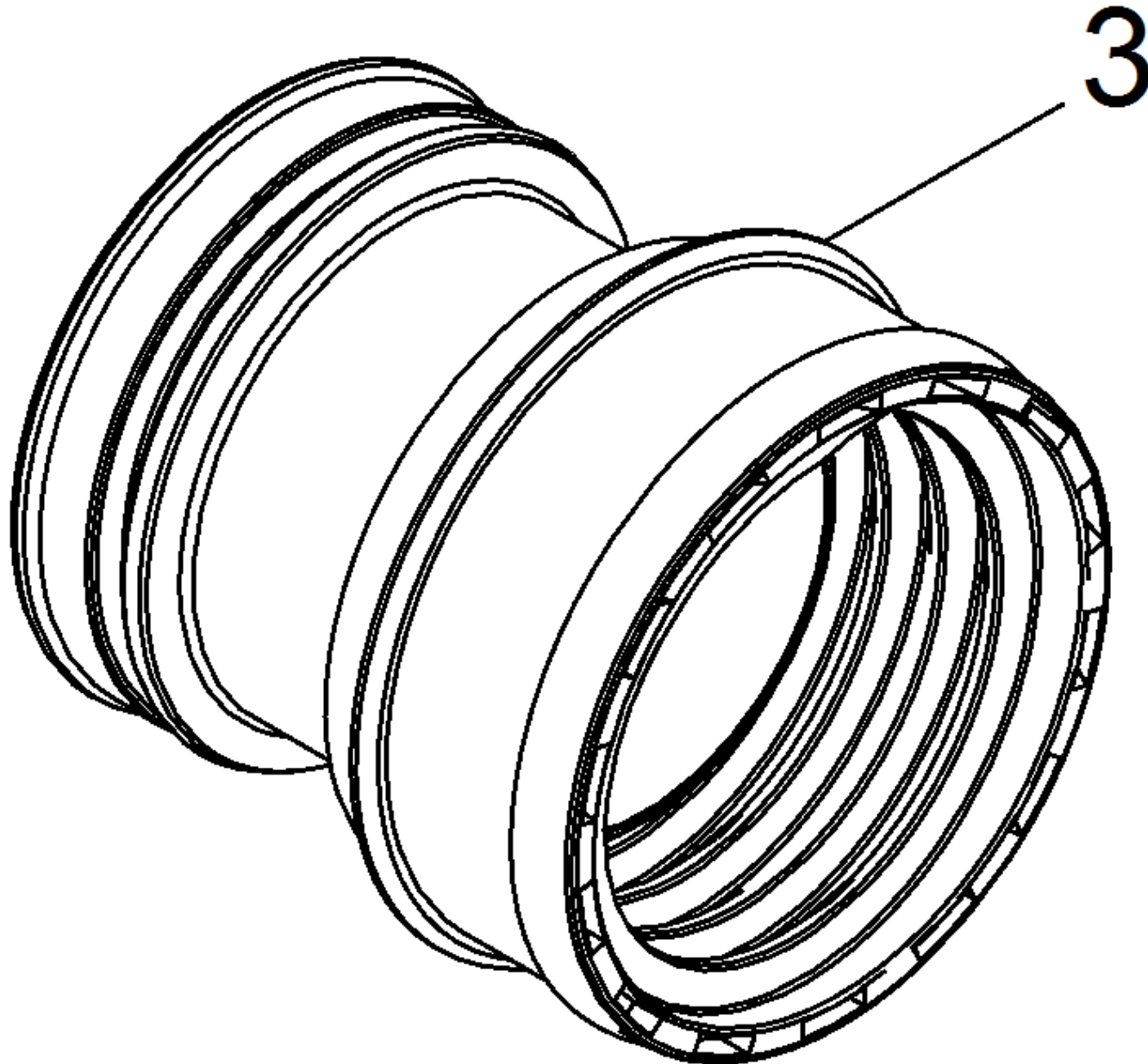
20

## 20 Hose packaged NW35 4.0m (2.889-135.0)

Professional \ Vacuum cleaner \ Wet-/dry vacuum cleaner \ NT 50/1 Tact Te \*CUL \ Accessories \ Hose packaged NW35 4.0m



POS	Article no.	Description	Quantity	Unit
10	4.440-040.0	Suction hose complete NW35 4,0m	1.000	ST
20	2.889-149.0	Repair set NW35	1.000	ST

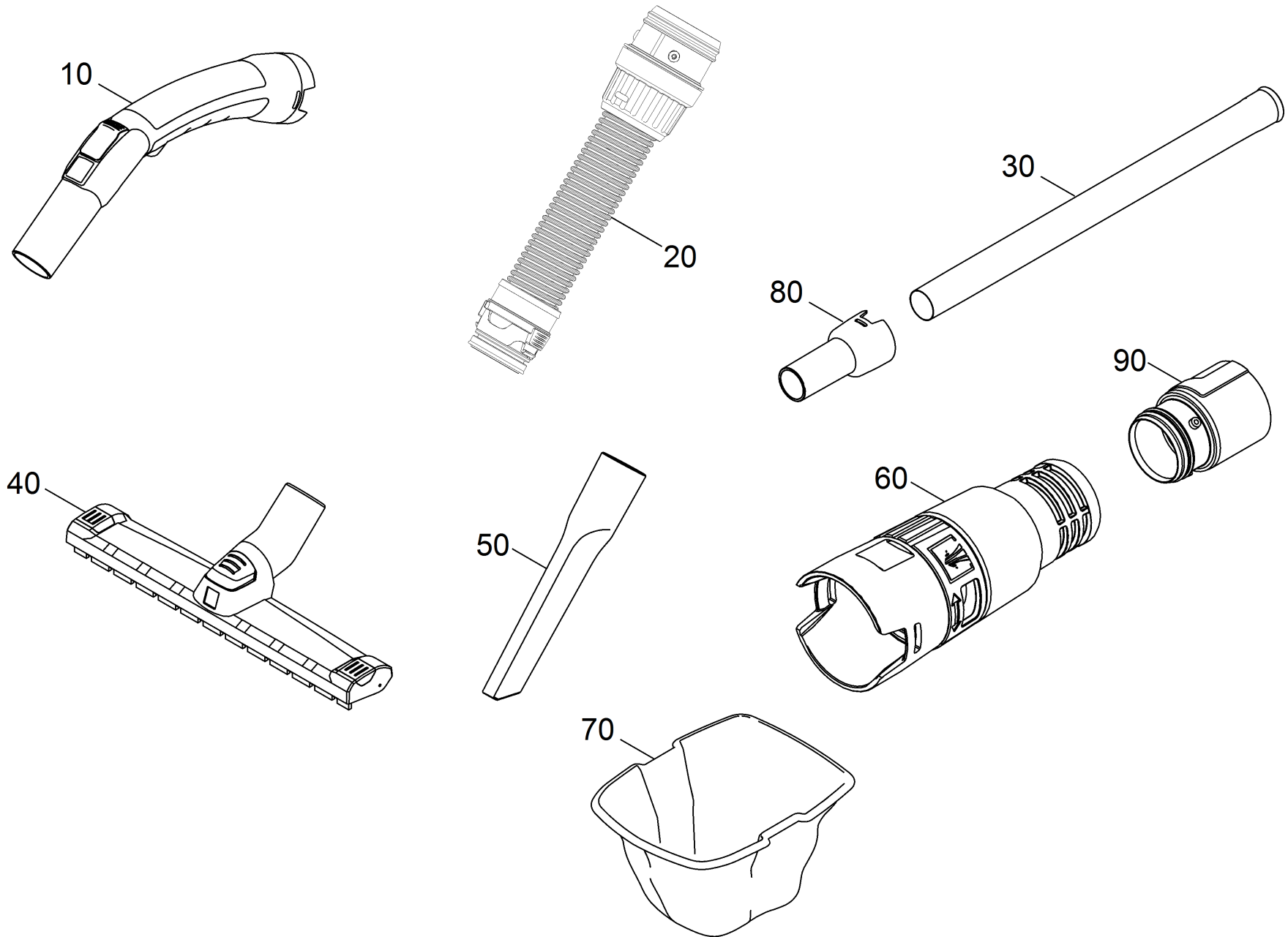


## 20 Repair set NW35 (2.889-149.0)

Professional \ Vacuum cleaner \ Wet-/dry vacuum cleaner \ NT 50/1 Tact Te \*CUL \ Accessories \ Hose packaged NW35 4.0m \ Repair set NW35



POS	Article no.	Description	Quantity	Unit
3	5.406-005.0	Threaded ring electrically conducting NW	1.000	ST



## 50 Accessories

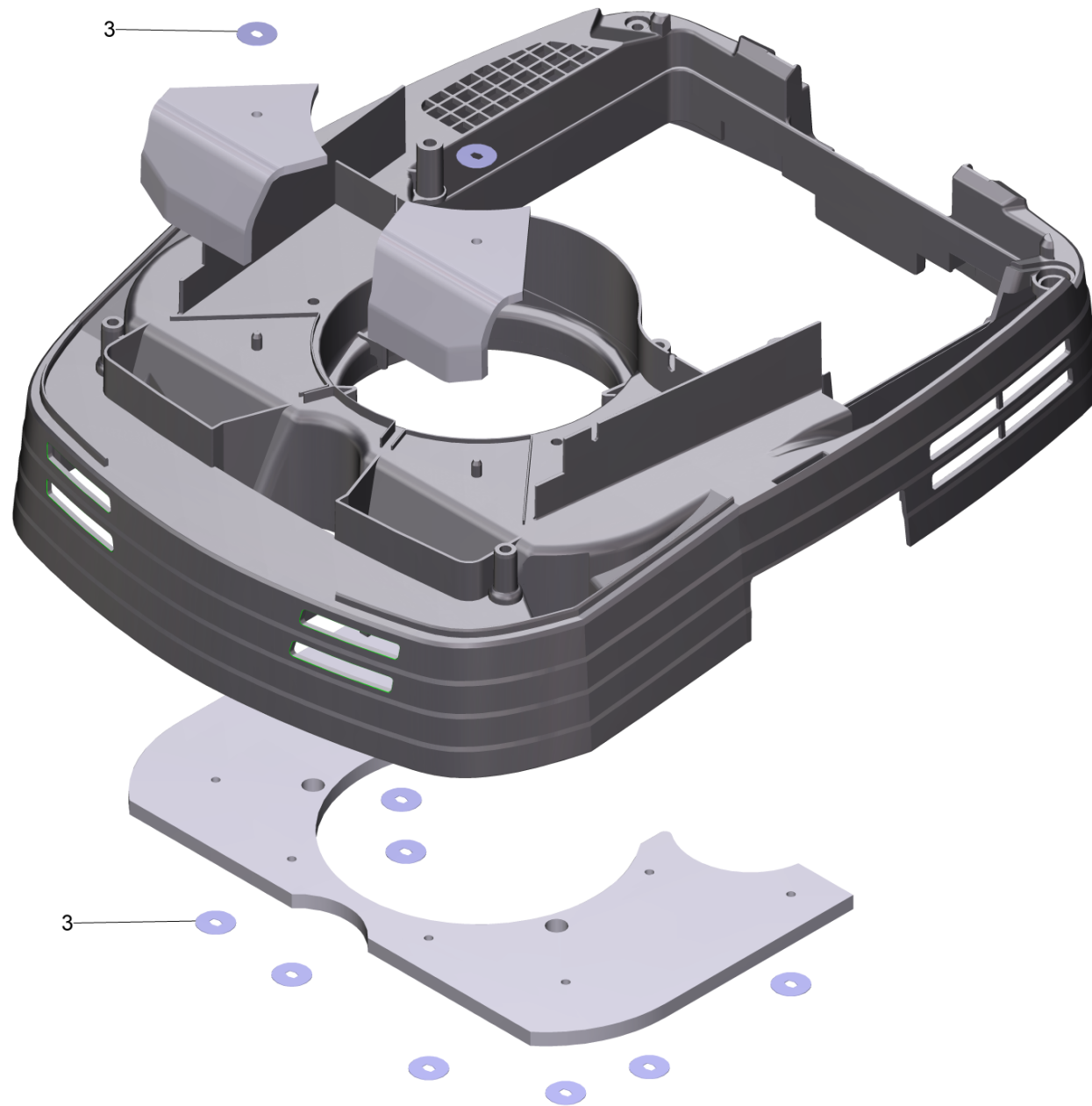
Professional \ Vacuum cleaner \ Wet-/dry vacuum cleaner \ NT 50/1 Tact Te \*CUL \ Accessories

**KÄRCHER**

POS	Article no.	Description	Quantity	Unit
10	2.889-168.0	Elbow packaged electrically NW35 2K	1.000	ST
10	2.889-171.0	Elbow packaged NW40 1K	1.000	ST
10	2.889-172.0	Elbow electrically conducting NW40 1K	1.000	ST
10	2.889-170.0	Elbow packaged NW35 2K	1.000	ST
20	2.889-135.0	Hose packaged NW35 4.0m	1.000	ST
30	2.889-193.0	Set suction tube chromed NW40 550mm	1.000	ST
30	2.889-192.0	Set suction tube stainless steel NW35 55	1.000	ST
30	2.889-194.0	Set suction tube stainless steel NW40 55	1.000	ST
30	2.889-182.0	Set suction tube stainless steel NW40 50	1.000	ST
30	2.889-177.0	Set suction tube chromed NW40 505mm	1.000	ST
40	2.889-153.0	Floor tool packaged NW40 360mm	1.000	ST
40	2.889-152.0	Floor tool packaged NW35 360mm	1.000	ST
50	2.889-160.0	Crevice nozzle wet and dry packaged NW40	1.000	ST
50	2.889-159.0	Crevice nozzle wet and dry packaged NW35	1.000	ST
60	2.889-151.0	Sleeve packaged NW35	1.000	ST
70	2.889-158.0	Disposal bag 10-parts PE	1.000	ST
80	5.406-005.0	Threaded ring electrically conducting NW	1.000	ST
80	5.406-006.0	Threaded ring electrically conducting NW	1.000	ST
90	5.031-436.0	Adapter connection old elektr. leitend	1.000	ST

# 90 Housing air circulation set (4.070-395.0)

Professional \ Vacuum cleaner \ Wet-dry vacuum cleaner \ NT 50/1 Tact Te \*CUL \ Housing air circulation set



## 90 Housing air circulation set (4.070-395.0)

Professional \ Vacuum cleaner \ Wet-/dry vacuum cleaner \ NT 50/1 Tact Te \*CUL \ Housing air circulation set

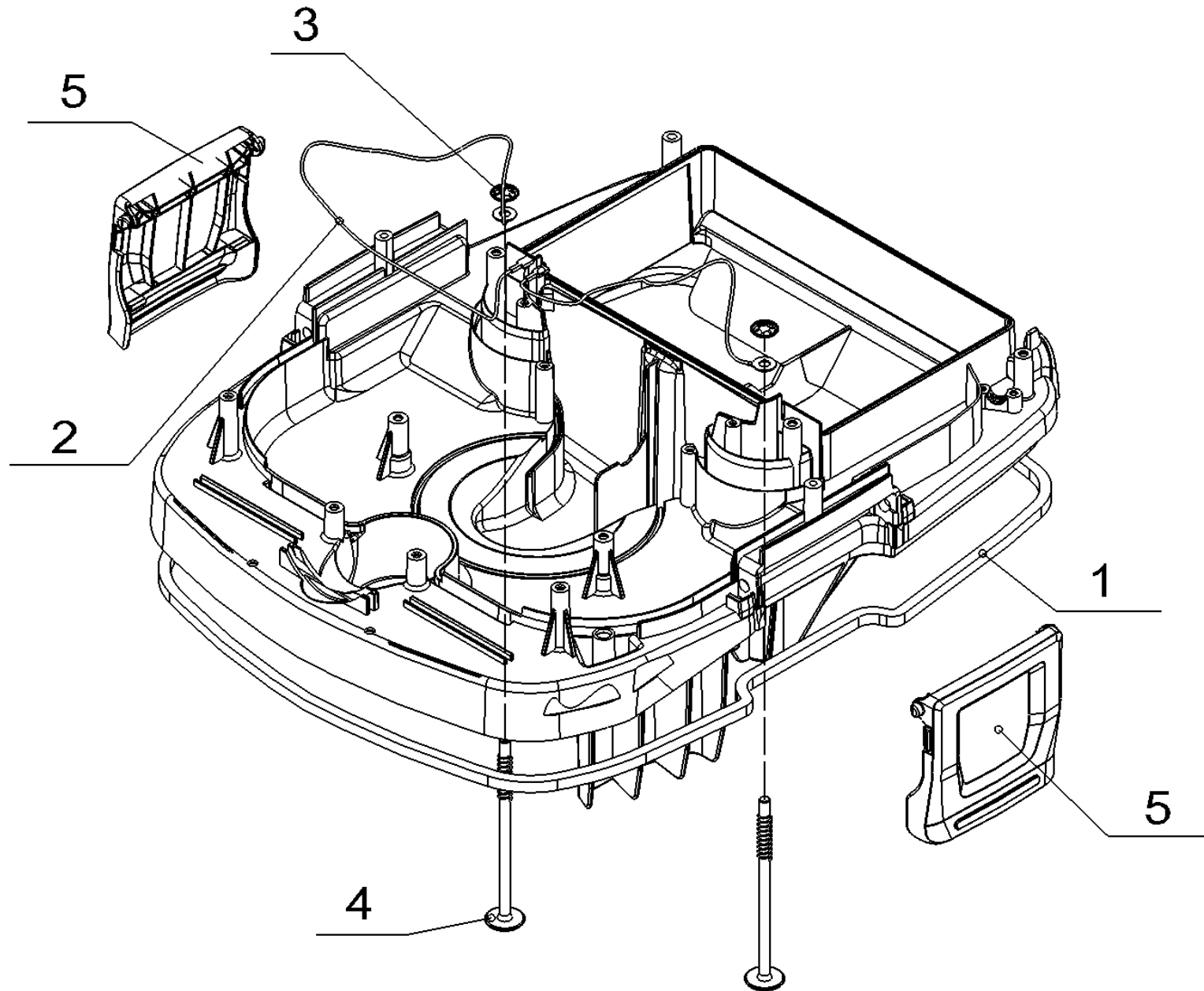


POS	Article no.	Description	Quantity	Unit
3	6.343-145.0	Lock washer 5	10.000	ST



# 102 Housing base plate set (4.071-275.0)

Professional \ Vacuum cleaner \ Wet-dry vacuum cleaner \ NT 50/1 Tact Te \*CUL \ Housing base plate set



## 102 Housing base plate set (4.071-275.0)

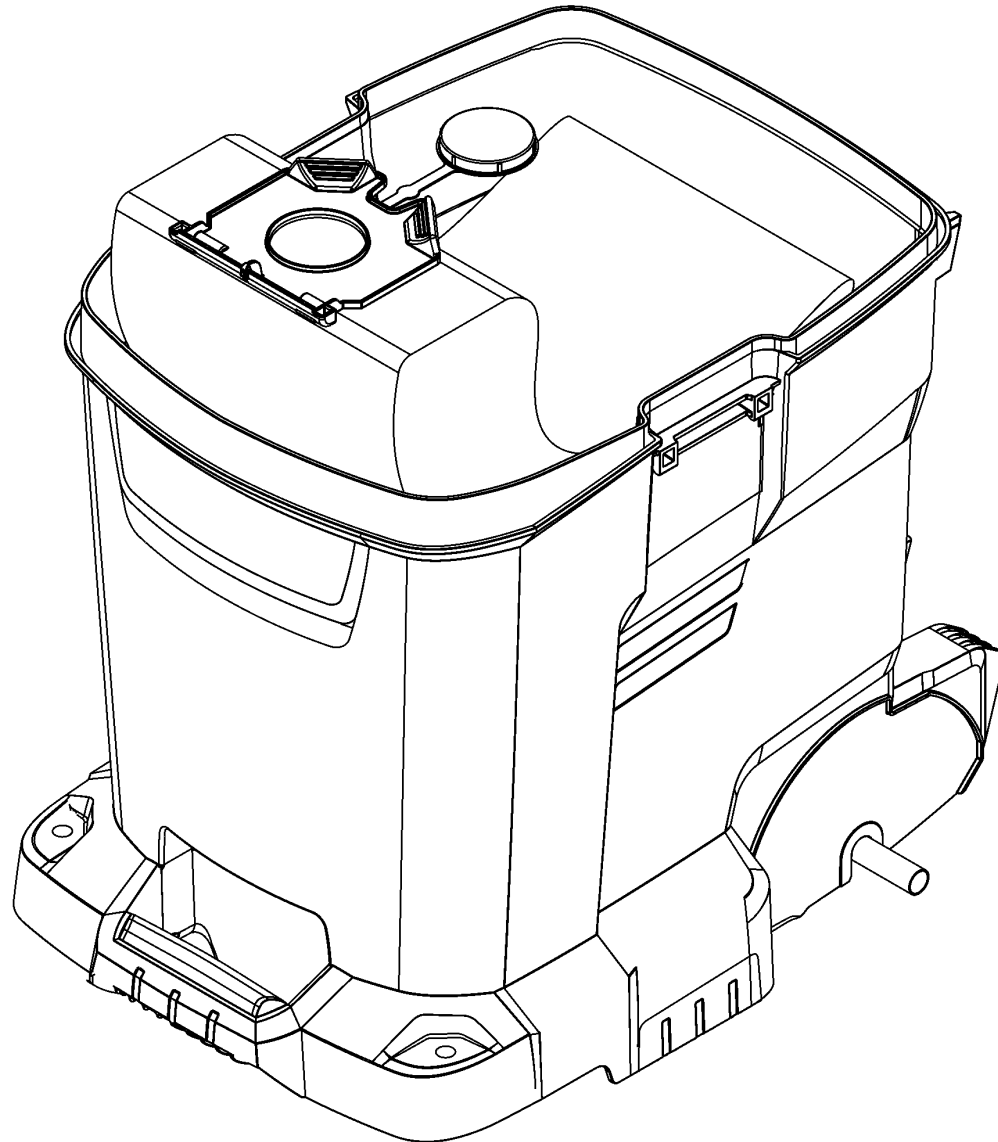
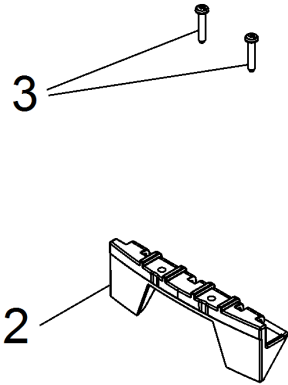
Professional \ Vacuum cleaner \ Wet-/dry vacuum cleaner \ NT 50/1 Tact Te \*CUL \ Housing base plate set



POS	Article no.	Description	Quantity	Unit
1	6.273-018.3	Seal string housing base plate	1.000	ST
2	6.650-832.0	Cable probe light blue AWG 18/490	1.000	ST
3	6.343-119.0	Lock washer	2.000	ST
4	5.107-002.0	Probe	2.000	ST
5	5.033-034.0	Locking clip	2.000	ST

# 130 Tank set NT 50/1 (4.071-033.0)

Professional \ Vacuum cleaner \ Wet-/dry vacuum cleaner \ NT 50/1 Tact Te \*CUL \ Tank set NT 50/1



## 130 Tank set NT 50/1 (4.071-033.0)

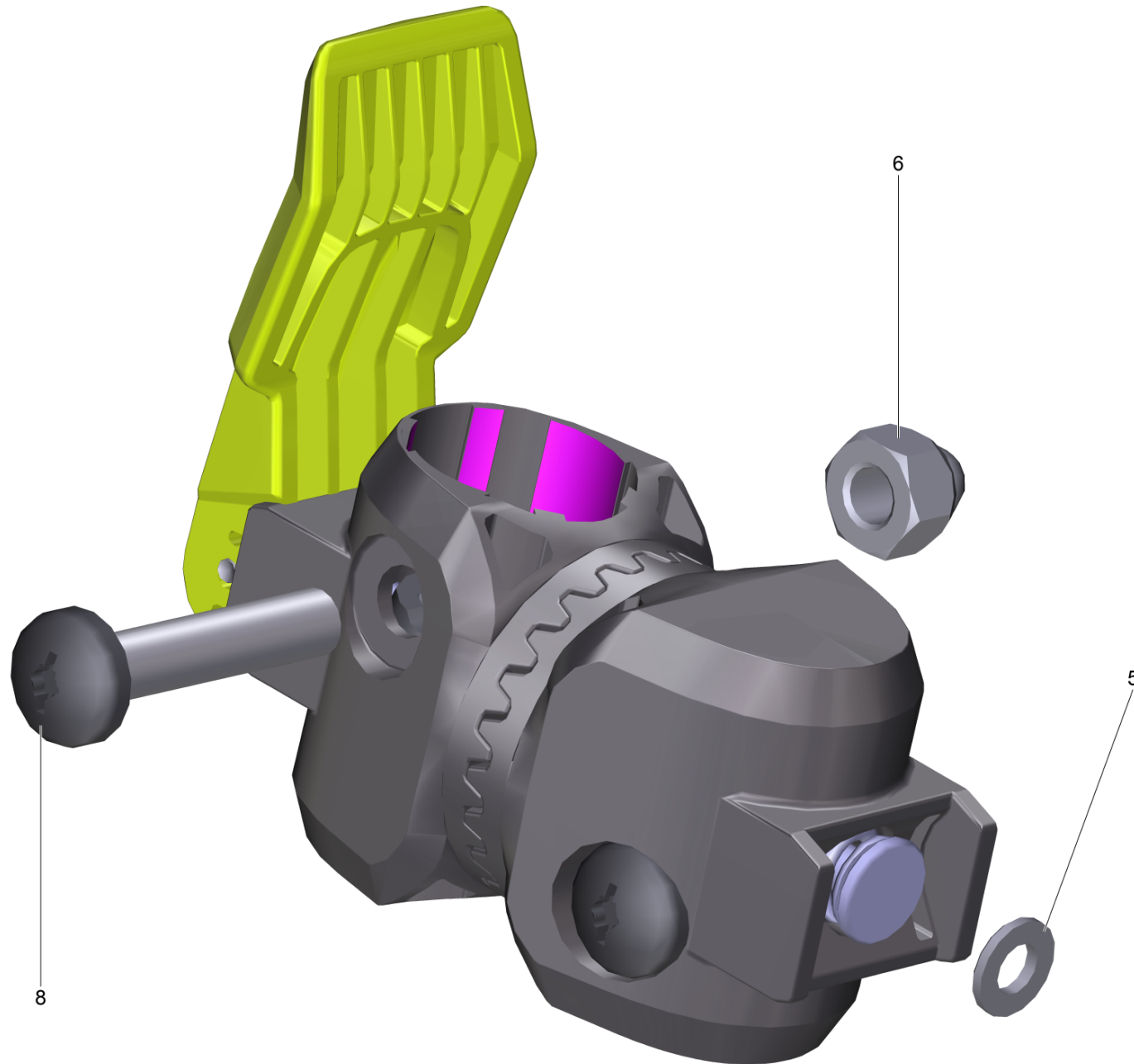
Professional \ Vacuum cleaner \ Wet-/dry vacuum cleaner \ NT 50/1 Tact Te \*CUL \ Tank set NT 50/1



POS	Article no.	Description	Quantity	Unit
2	5.064-099.0	Retainer flange filter bag	1.000	ST
3	7.303-096.0	Screw 4x22 -ST-10.9-R2R (IN6RD)	2.000	ST

# 174 Swivel joint set (4.071-041.0)

Professional \ Vacuum cleaner \ Wet-dry vacuum cleaner \ NT 50/1 Tact Te \*CUL \ Swivel joint set



## 174 Swivel joint set (4.071-041.0)

Professional \ Vacuum cleaner \ Wet-/dry vacuum cleaner \ NT 50/1 Tact Te \*CUL \ Swivel joint set



POS	Article no.	Description	Quantity	Unit
5	7.312-026.0	Washer 6 -A2 ISO 7089	2.000	ST
6	7.311-620.0	Cap nut M8 -A2 DIN 986	4.000	ST
8	6.303-285.0	Screw M 8x 40	4.000	ST