

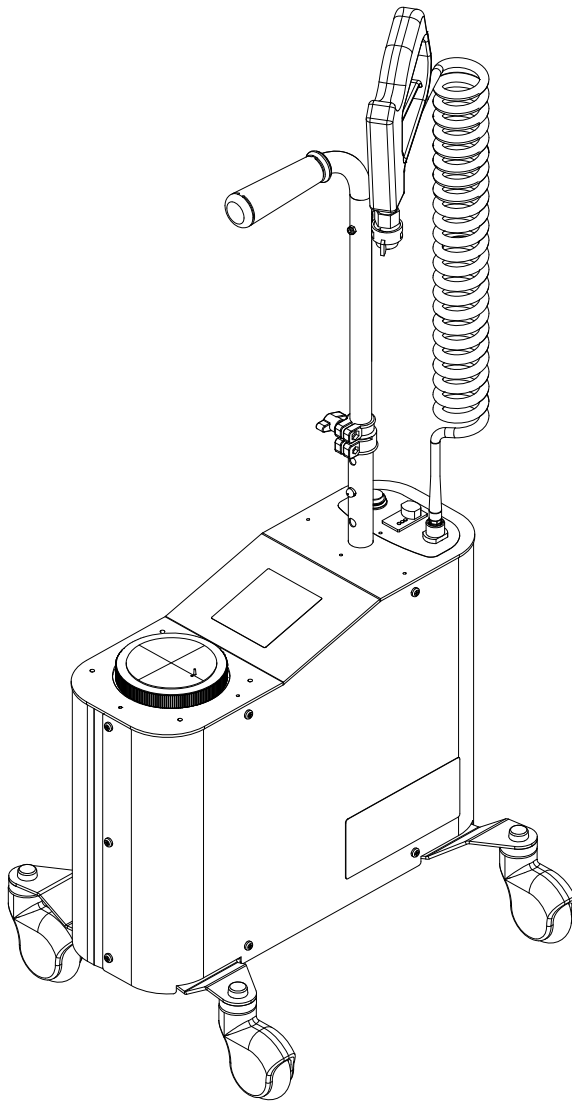


# PS 4/7 BP

Operating instructions (ENG)

MODELS:

TD12V120  
1.007-082.0



**WARNING:**

This product and accessories may contain a chemical known to the State of California to cause cancer and birth defects or other reproductive harm.

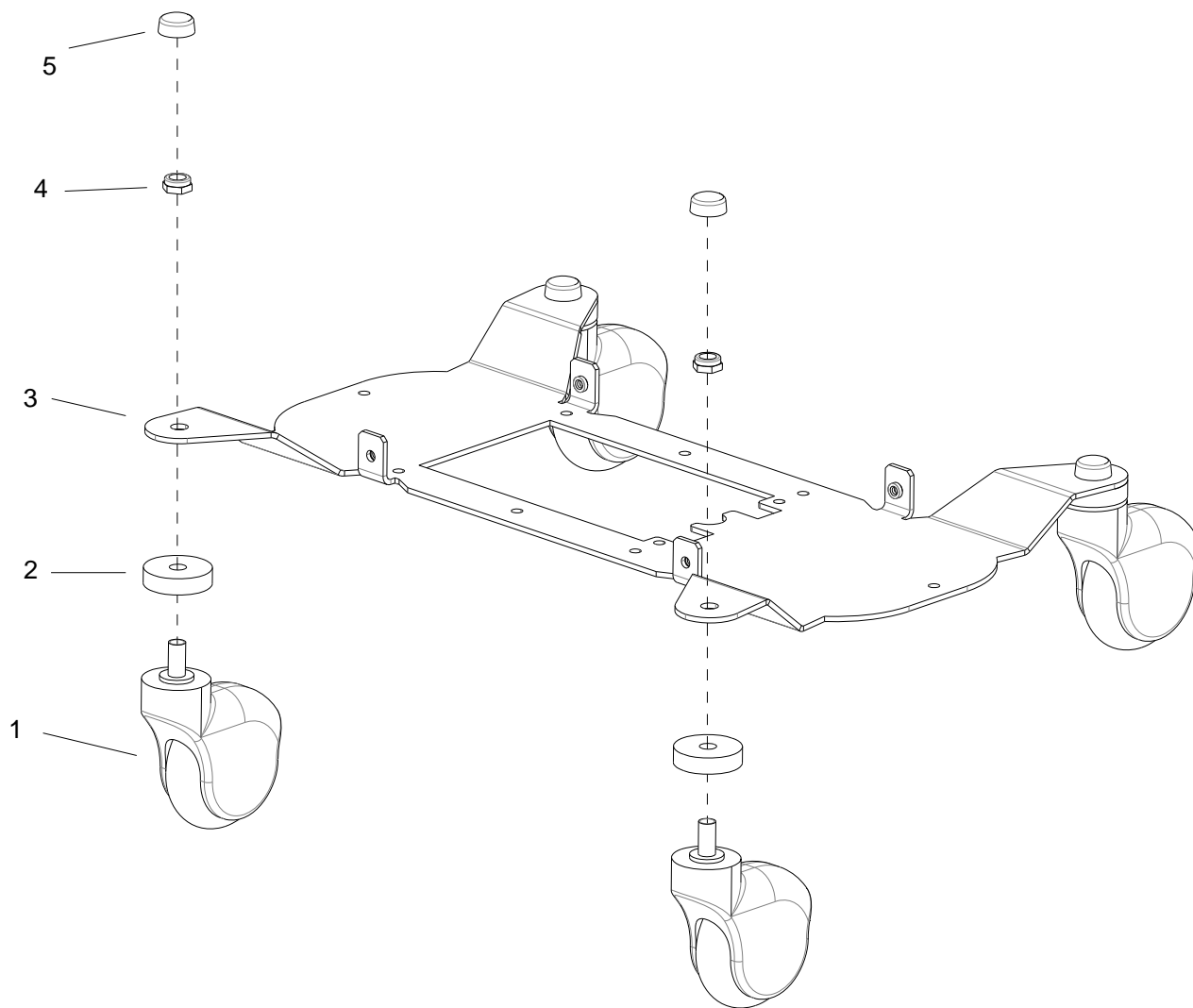
For more information about this regulation: [www.P65Warnings.ca.gov](http://www.P65Warnings.ca.gov)



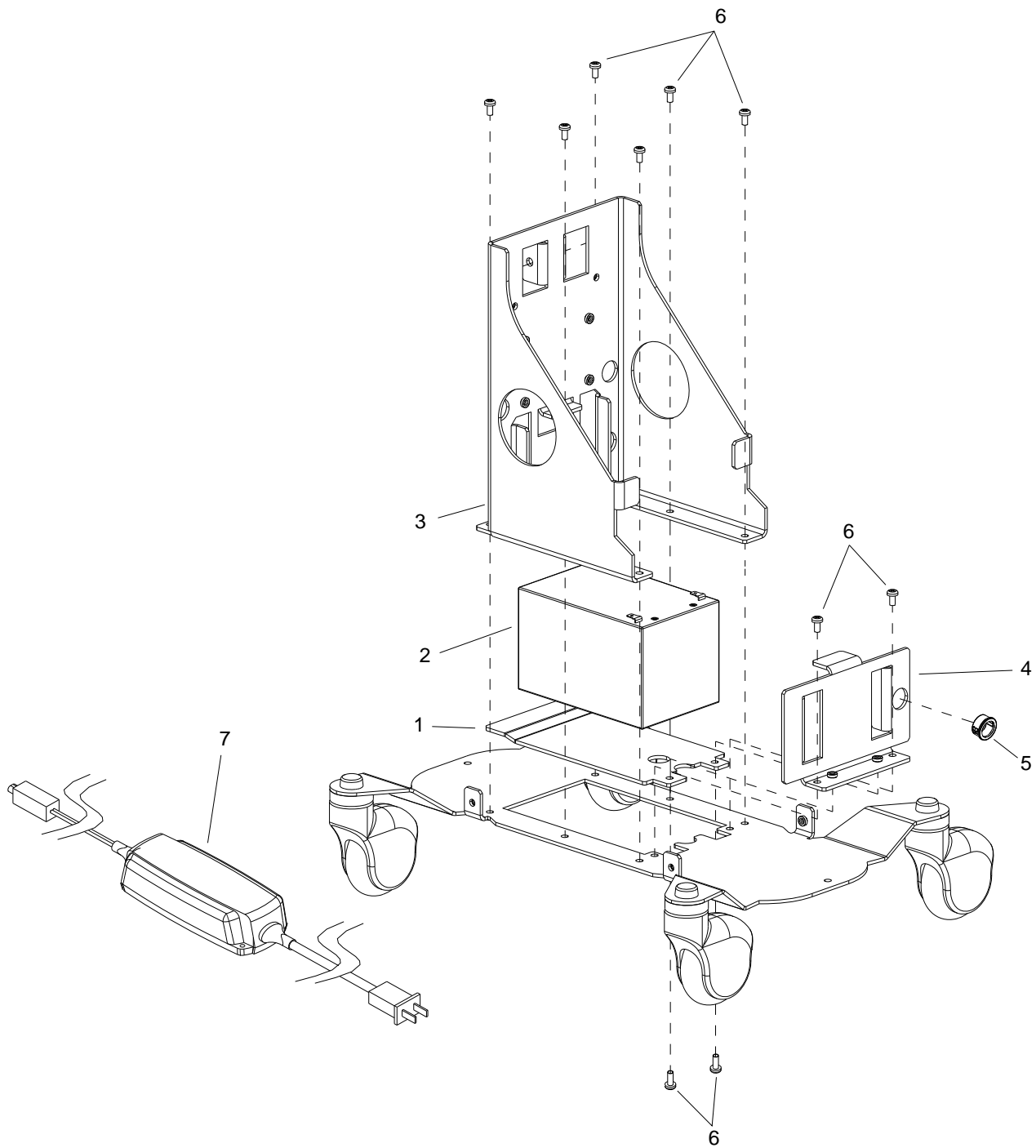
86390170-M  
12/08/18



Read these instructions before using the machine.

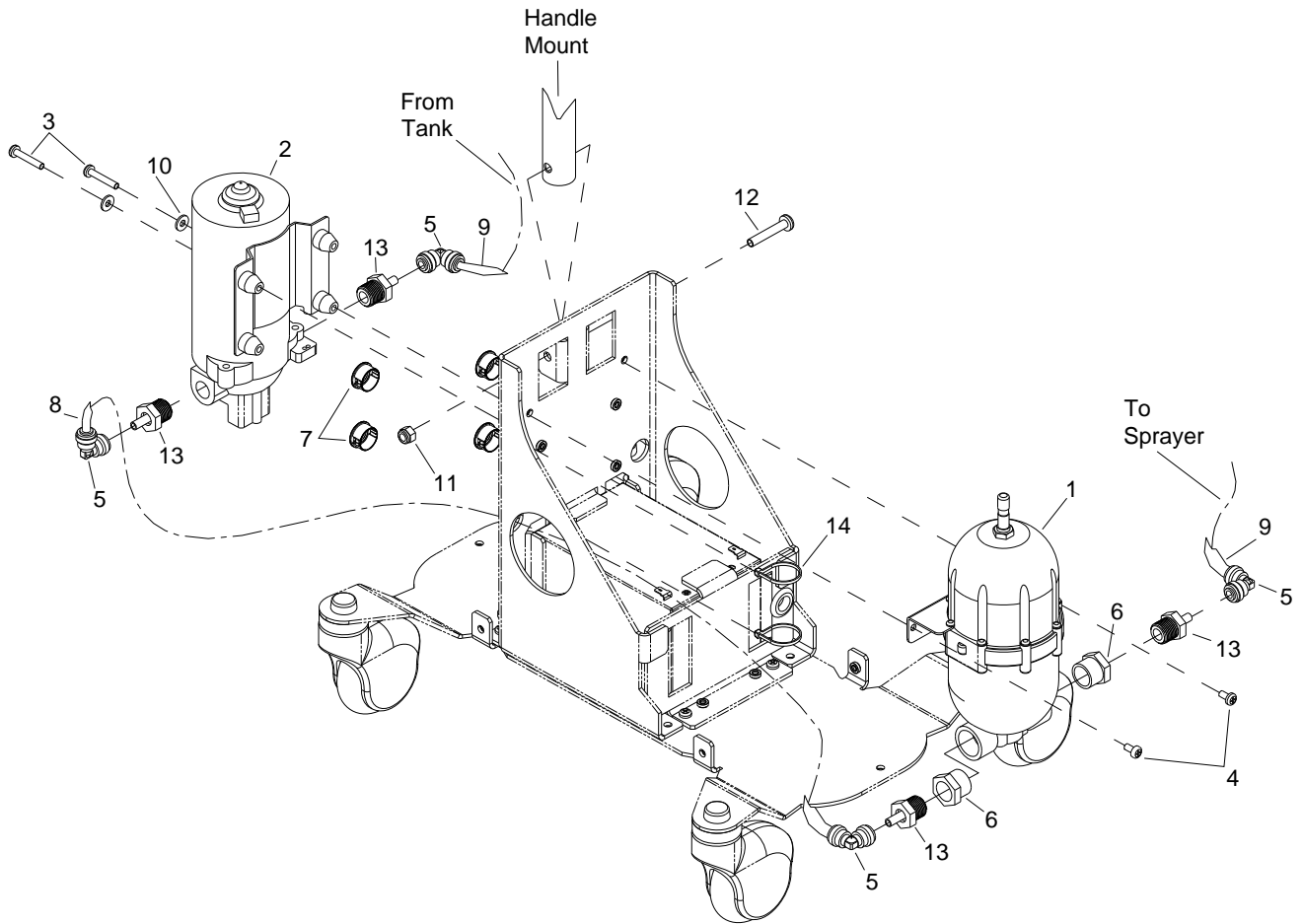


| REF | PART NO. | QTY | DESCRIPTION                    | SERIAL NO.<br>FROM | NOTES |
|-----|----------|-----|--------------------------------|--------------------|-------|
| 1   | 86379830 | 4   | CASTER, 3"OD, GRAY             |                    |       |
| 2   | 86379820 | 4   | SPACER, 3/8INX1-1/2ODX3/8THK   |                    |       |
| 3   | 86379850 | 1   | PLATE, BASE, ASM               |                    |       |
| 4   | 86005630 | 4   | NUT HEX NYL LOC-THIN SS 3/8-16 |                    |       |
| 5   | 86379840 | 4   | COVER, NUT, 3/8, SATIN CHROME  |                    |       |

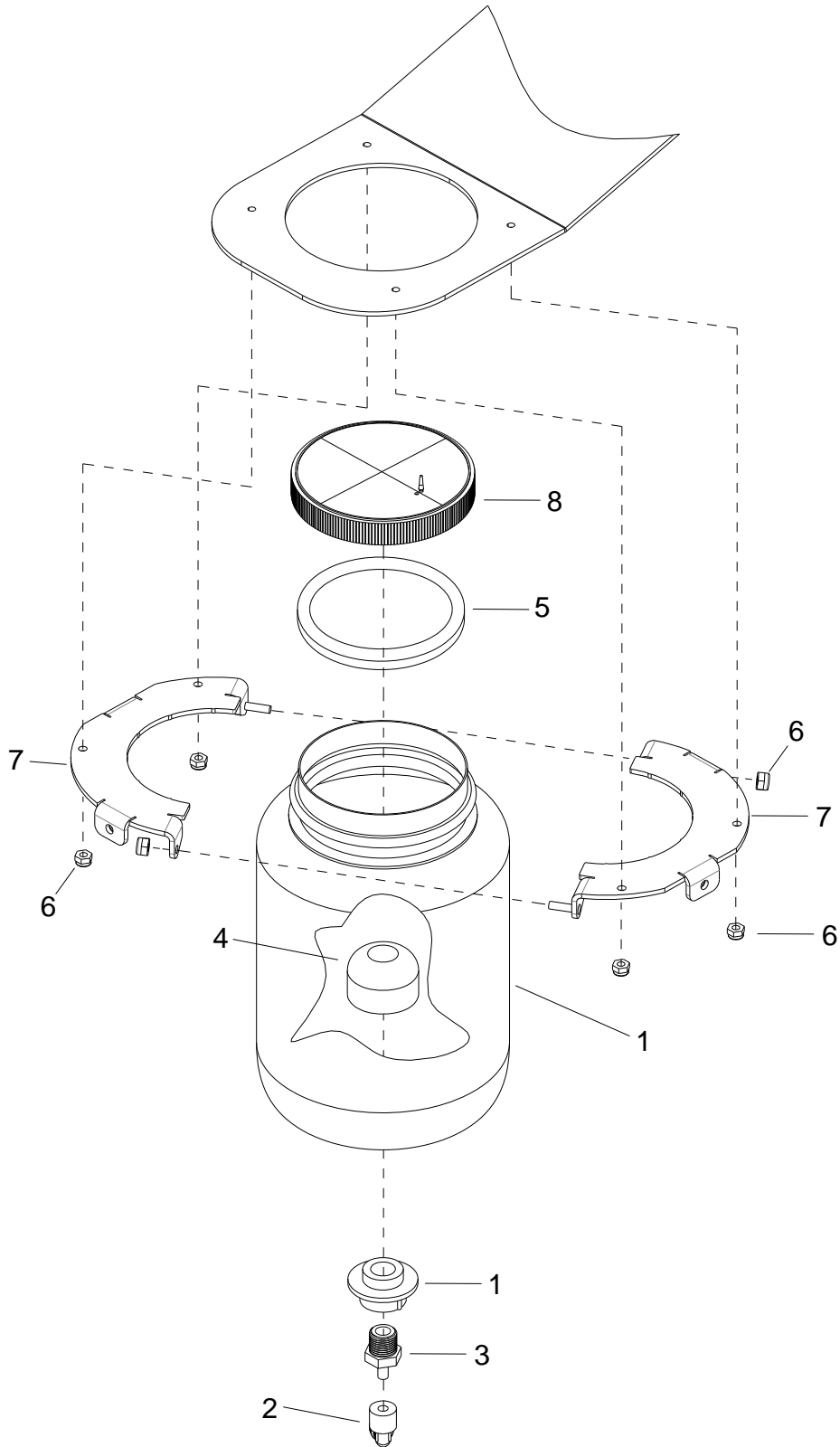


| REF | PART NO. | QTY | DESCRIPTION                       | SERIAL NO.<br>FROM | NOTES |
|-----|----------|-----|-----------------------------------|--------------------|-------|
| 1   | 86379790 | 1   | PLATE, COVER, BATTERY             |                    |       |
| 2   | 86379800 | 1   | BATTERY, AGM, 12V, 10.8 AH        |                    |       |
| 3   | 86379860 | 1   | BRKT ASSY, PUMP MOUNT             |                    |       |
| 4   | 86391240 | 1   | BRKT, BATTERY BRACE               |                    |       |
| 5   | 87067310 | 1   | BUSHING, 3/4" SNAP HEYCO P/N 2096 |                    |       |
| 6   | 86274290 | 10  | SCREW, 10-32 X .375 PHPNHMS SS    |                    |       |
| 7   | 86390480 | 1   | CHARGER, BATTERY, 12V, CTEK       |                    |       |

# Accumulator and Pump



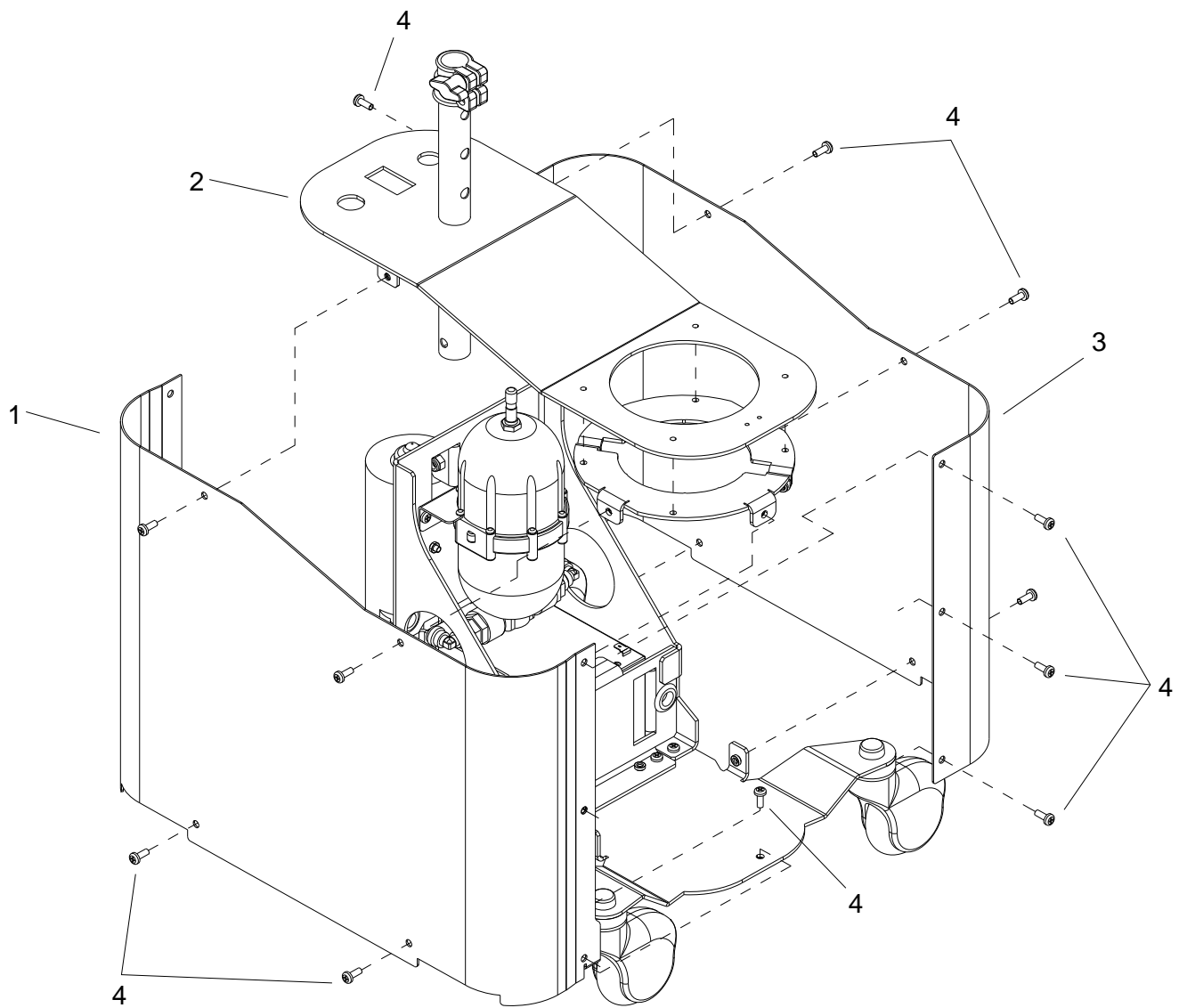
| REF | PART NO. | QTY | DESCRIPTION                       | SERIAL NO.<br>FROM | NOTES |
|-----|----------|-----|-----------------------------------|--------------------|-------|
| 1   | 86376270 | 1   | ACCUMULATOR, 125PSI               |                    |       |
| 2   | 86379870 | 1   | PUMP, ASM, 36VDC, 1.66GPM         |                    |       |
| 3   | 86276240 | 2   | SCR, 10-32 X 1-1/8 PPHMS SS       |                    |       |
| 4   | 86274290 | 2   | SCREW, 10-32 X .375 PHPNHMS SS    |                    |       |
| 5   | 86379880 | 4   | ELBOW, JG, 1/4                    |                    |       |
| 6   | 86390200 | 2   | BUSHING, 1/2" MPT X 3/8" FPT      |                    |       |
| 7   | 87067310 | 4   | BUSHING, 3/4" SNAP HEYCO P/N 2096 |                    |       |
| 8   | 86390530 | 1   | TUBE 1/4" OD X 5.75, BLACK        |                    |       |
| 9   | 86390540 | 2   | TUBE 1/4" OD X 12.5, BLACK        |                    |       |
| 10  | 86010800 | 2   | WASHER .2IDX.500 BLK SS           |                    |       |
| 11  | 86005810 | 1   | NUT 1/4-20 HEX NYLOCK SS          |                    |       |
| 12  | 86273920 | 1   | SCREW 1/4-20 X 1.75 PPHMS SS      |                    |       |
| 13  | 86391260 | 4   | REDUCER, 1/4 X 3/8 NPTF           |                    |       |
| 14  | 86264930 | 2   | CABLE TIE, 3.5" UL/CSA            |                    |       |



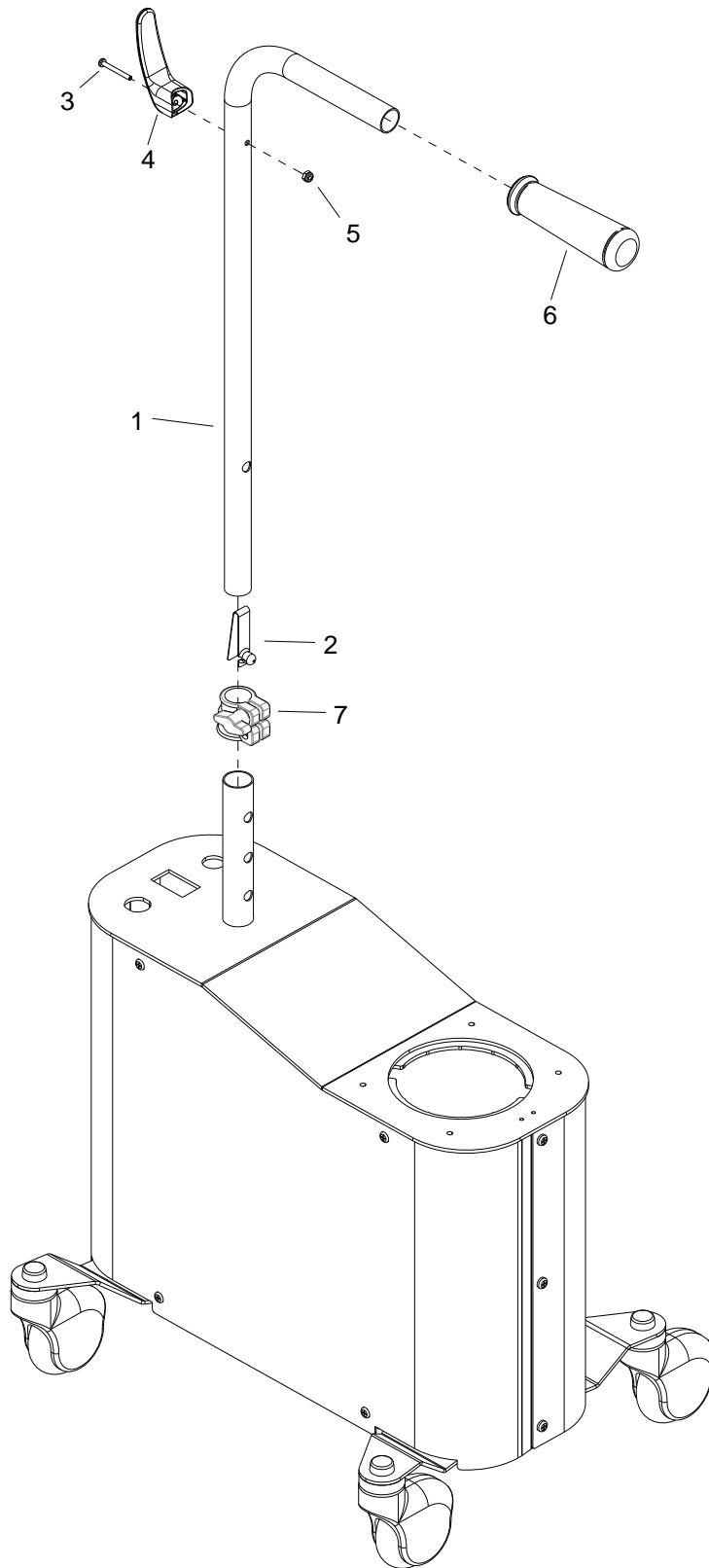


| REF | PART NO. | QTY | DESCRIPTION                  | SERIAL NO.<br>FROM | NOTES |
|-----|----------|-----|------------------------------|--------------------|-------|
| 1   | 86390240 | 1   | BOTTLE, 6.5LB, TRIMMED       |                    |       |
| 2   | 86379880 | 1   | ELBOW, JG, 1/4               |                    |       |
| 3   | 86391260 | 1   | REDUCER, 1/4 X 3/8 NPTF      |                    |       |
| 4   | 86007970 | 1   | STRAINER 3/8 IN. NPT 60 MESH | 2*                 |       |
| 5   | 86387720 | 1   | GASKET, SOLUTION BOTTLE      | 1*                 |       |
| 6   | 86270990 | 6   | NUT 10-32 HEX NYLOCK SS      |                    |       |
| 7   | 86384280 | 2   | BRKT, CLAMP, BOTTLE          |                    |       |
| 8   | 86390250 | 1   | CAP, ASM, 6.5LB, CHECK VALVE |                    |       |

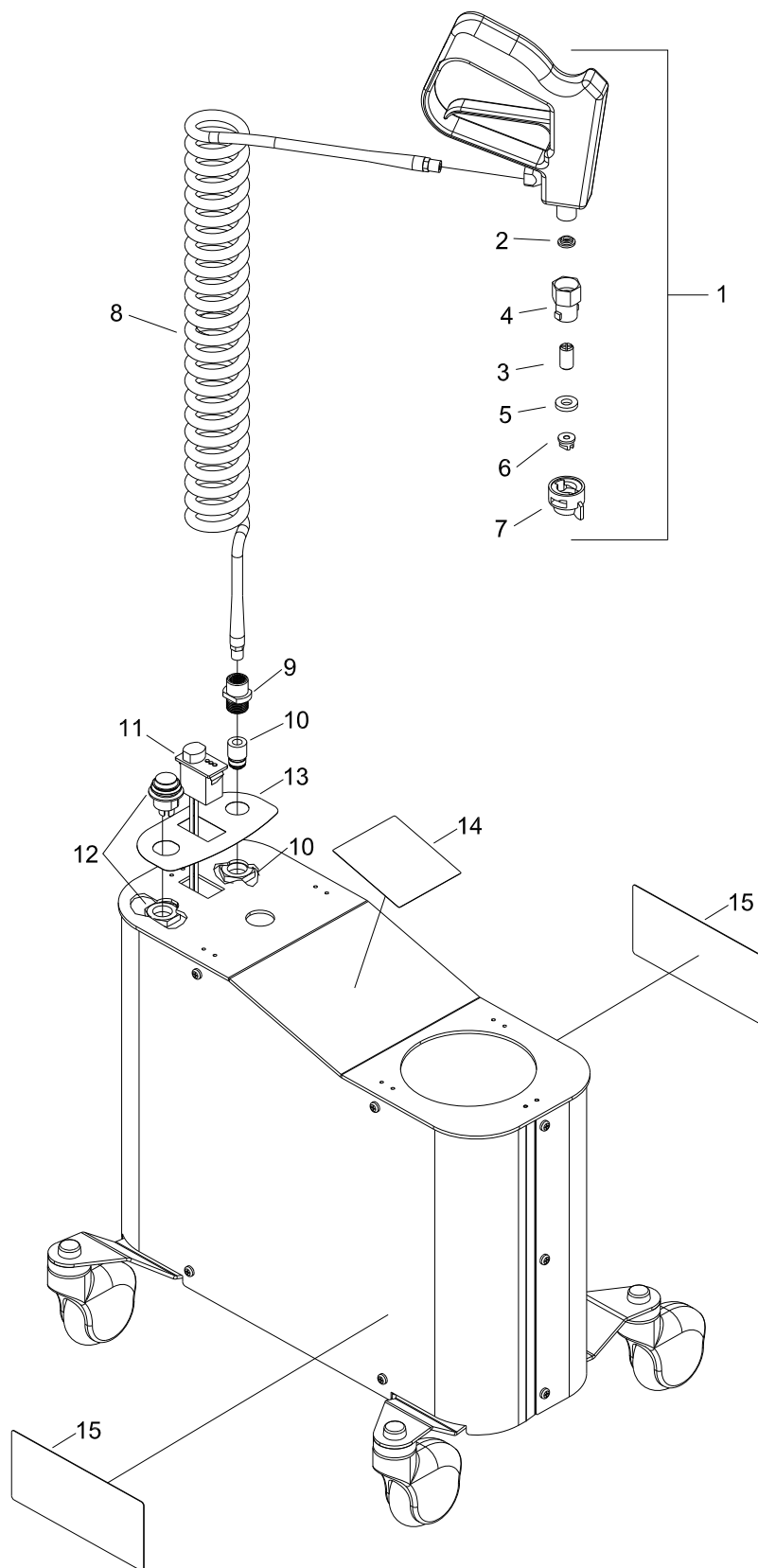
\*See Serial Number Page



| REF | PART NO. | QTY | DESCRIPTION                    | SERIAL NO.<br>FROM | NOTES |
|-----|----------|-----|--------------------------------|--------------------|-------|
| 1   | 86379780 | 1   | PLATE, COVER, LH               |                    |       |
| 2   | 86379980 | 1   | PLATE, TOP, RETAINER ASM       |                    |       |
| 3   | 86379770 | 1   | PLATE, COVER, RH               |                    |       |
| 4   | 86274290 | 16  | SCREW, 10-32 X .375 PHPNHMS SS |                    |       |

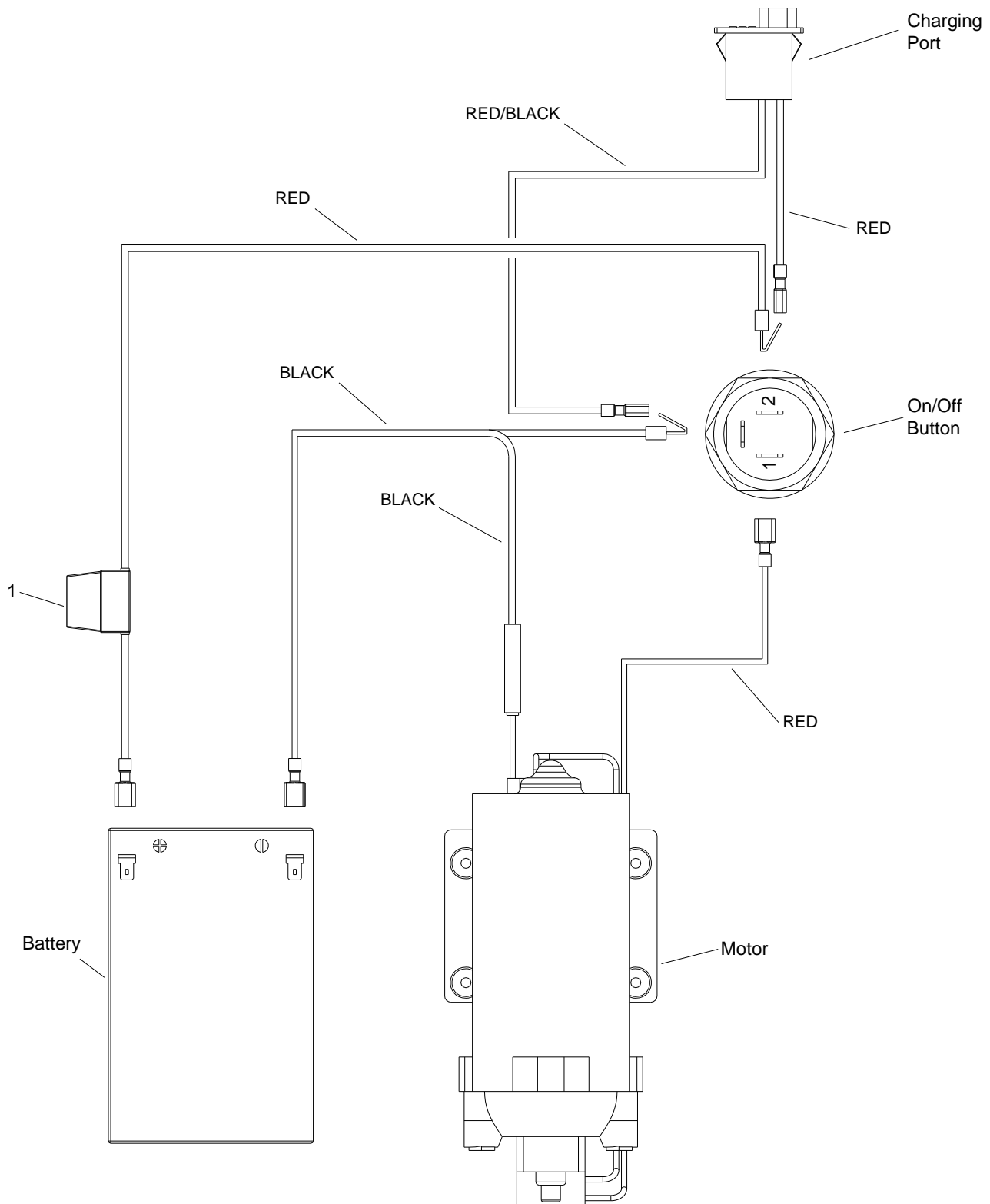


| <b>REF</b> | <b>PART NO.</b> | <b>QTY</b> | <b>DESCRIPTION</b>            | <b>SERIAL NO.<br/>FROM</b> | <b>NOTES</b> |
|------------|-----------------|------------|-------------------------------|----------------------------|--------------|
| 1          | 86390070        | 1          | HANDLE, TUBE, .875 OD         |                            |              |
| 2          | 86390080        | 1          | BUTTON, SNAP, SINGLE, .36DIA  |                            |              |
| 3          | 86277490        | 1          | SCR, 6-32 X 1.375 PHPNHMS SS  |                            |              |
| 4          | 86217220        | 1          | CORD HOOK, LOWER              |                            |              |
| 5          | 86014810        | 1          | NUT, 6-32 ACORN SS            |                            |              |
| 6          | 86004070        | 1          | GRIP, POLISHER HANDLE         |                            |              |
| 7          | 86391270        | 1          | SPLIT LOCK COLLAR, 1" TO 7/8" |                            |              |



| REF | PART NO. | QTY | DESCRIPTION                   | SERIAL NO. FROM | NOTES              |
|-----|----------|-----|-------------------------------|-----------------|--------------------|
| 1   | 86400010 | 1   | KIT, SPRAY GUN, PS 4/7 BP     |                 | INCLUDES ITEMS 2-7 |
| 2   | 86391200 | 1   | WASHER, GUN, UNIJET NOZZLE    |                 |                    |
| 3   | 86391680 | 1   | NOZZLE VOLUME SPACER          |                 |                    |
| 4   | 86391190 | 1   | ADAPTER, UNIJET 1/4 TURN      |                 |                    |
| 5   | 86390140 | 1   | GASKET, NOZZLE, SEAT          |                 |                    |
| 6   | 86390150 | 1   | NOZZLE, TPU400033-SS          |                 |                    |
| 7   | 86391180 | 1   | CAP, UNIJET NOZZLE, 1/4 TURN  |                 |                    |
| 8   | 86390040 | 1   | HOSE, 1/4X1/4MPT, RETRACTABLE |                 |                    |
| 9   | 86390020 | 1   | BULKHEAD, 1/4"FNPT, BLK       |                 |                    |
| 10  | 86390060 | 1   | CONNECTOR, JG 1/4 X 1/4 MPT   |                 |                    |
| 11  | 86390470 | 1   | CHARGING PORT, IND ASM, CTEK  |                 |                    |
| 12  | 86379990 | 1   | BUTTON, SWITCH, BLUE, 12V     |                 |                    |
| 13  | 86390330 | 1   | DECAL, SPRAYER, TOP           |                 |                    |
| 14  | 86335000 | 1   | LABEL, AKW DOMED LOGO         |                 |                    |
| 15  | 86393340 | 2   | LABEL PS 4/7 BP               |                 |                    |

# Wiring Diagram





| REF | PART NO. | QTY | DESCRIPTION                   | SERIAL NO. FROM | NOTES  |
|-----|----------|-----|-------------------------------|-----------------|--|
| 1   | 86390580 | 1   | WIRE, INLINE FUSE, CTEK, 5AMP |                 | Can be substituted with standard automotive 5 Amp fuse |

## *Suggested Spare Parts*

---

| <b>PART NO.</b> | <b>DESCRIPTION</b>            | <b>SERIAL NO. FROM</b> | <b>NOTES</b> |
|-----------------|-------------------------------|------------------------|--------------|
| 86379870        | PUMP, ASM, 36VDC, 1.66GPM     |                        |              |
| 86379800        | BATTERY, AGM, 12V, 10.8 AH    |                        |              |
| 86007970        | STRAINER 3/8 IN. NPT 60 MESH  |                        |              |
| 86390250        | CAP, ASM, 6.5LB, CHECK VALVE  |                        |              |
| 86390560        | GUN, ASM, 1/4 TURN NOZZLE     |                        |              |
| 86390150        | NOZZLE, TPU400033-SS          |                        |              |
| 86390040        | HOSE, 1/4X1/4MPT, RETRACTABLE |                        |              |
| 86390480        | CHARGER, BATTERY, 12V, CTEK   |                        |              |

| REF.<br>NO. | MODEL: SERIAL # |
|-------------|-----------------|
| 1           | 10070820000561  |
| 2           | 10070820001017  |