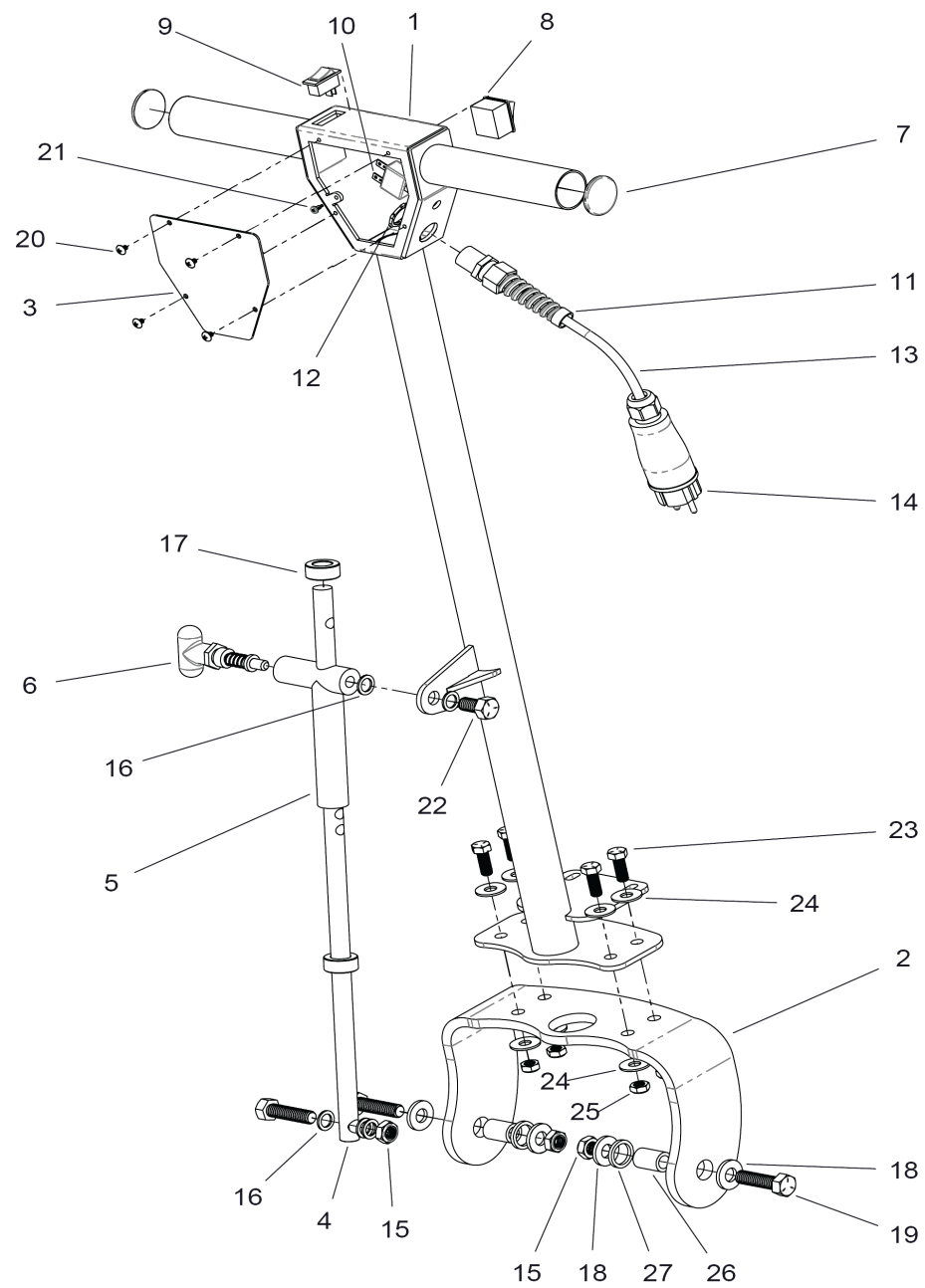


Table of contents

RADIANT ORBITAL SCRUBBER (1.005-297.0)	2
20 Handle	3
30 Tank	5
40 Motor	7
50 Frame, Wheels, & Pump	9

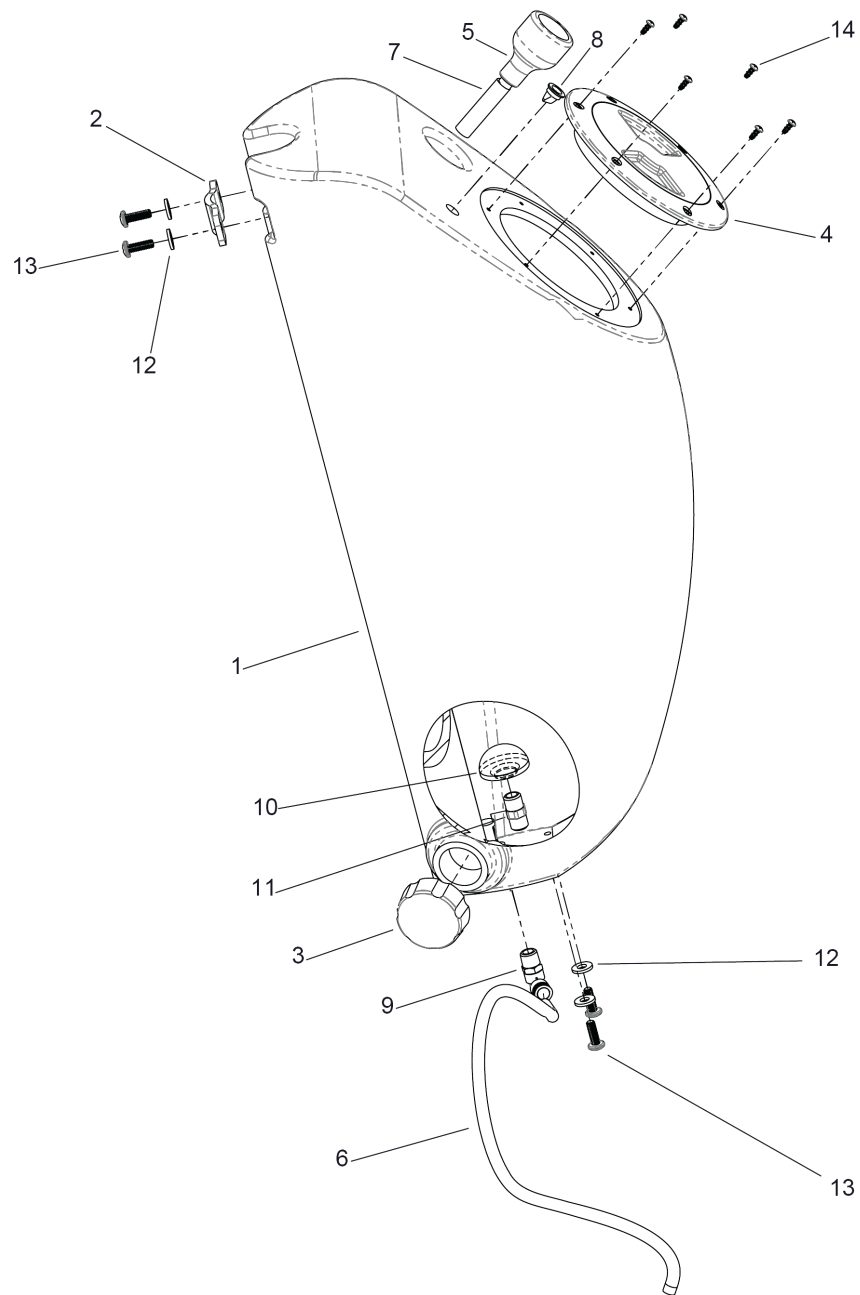
RADIANT ORBITAL SCRUBBER (1.005-297.0)

POS	Description	Quantity	Unit
20	Handle	1.000	ST
30	Tank	1.000	ST
40	Motor	1.000	ST
50	Frame, Wheels, & Pump	1.000	ST



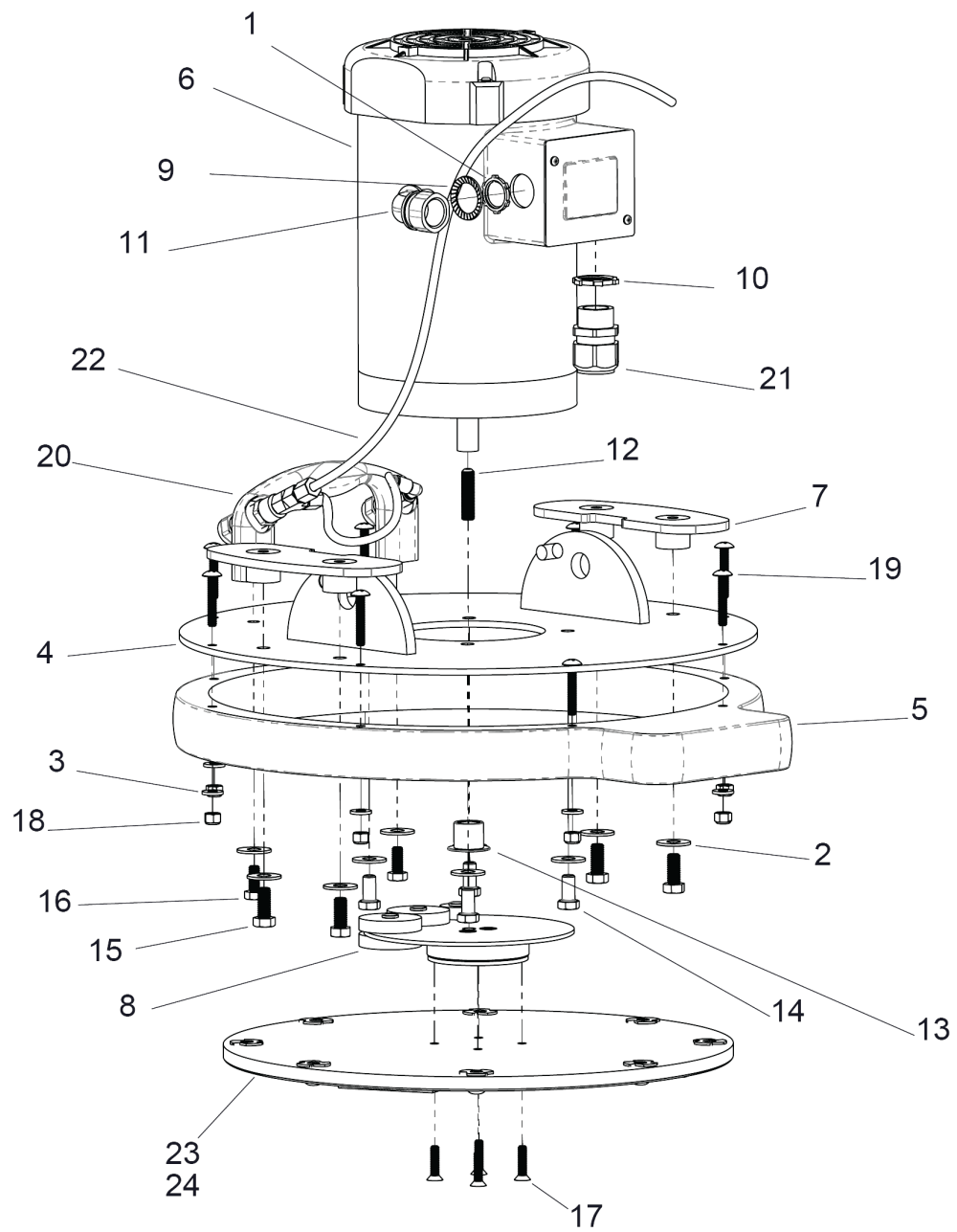
20 Handle

POS	Article no.	Description	Quantity	Unit
1	8.638-857.0	WELD ASSY, HANDLE	1.000	ST
2	8.638-858.0	Fork	1.000	ST
3	8.638-859.0	Cover electrical box	1.000	ST
4	8.638-860.0	Rod handle adjust	1.000	ST
5	8.638-861.0	WELD ASSY, PULL LATCH	1.000	ST
6	8.638-862.0	PULL LATCH	1.000	ST
7	8.638-863.0	COVER, TUBE HANDLE, 1.5 DIA	2.000	ST
8	8.638-864.0	SWITCH, DP POS, ROCKER	1.000	ST
9	8.638-865.0	SWITCH, DP, 2POS, ROCKER SPR	1.000	ST
10	8.638-866.0	BREAKER, 20A 125/250VAC 32VDC	1.000	ST
11	8.638-867.0	Strain relief power cord	1.000	ST
12	8.638-868.0	Lock nut E PANEL, .5-14 NPSM, ZNPLT	1.000	ST
13	8.638-869.0	POWER CORD, 3 CABLE, GRAY	1.000	ST
14	8.638-871.0	Plug male US 115V	1.000	ST
15	8.638-872.0	HEX nut lock .5-13 X .75W X .312H	3.000	ST
16	8.638-873.0	Washer nylon .50 ID X .75 OD X .06 T	5.000	ST
17	8.638-874.0	Shaft collar SET SCREW, .63 ID X 1.13	2.000	ST
18	8.638-875.0	Washer plastic .500 X .125 X 1.125OD	4.000	ST
19	8.638-876.0	ZINC PLATED, 1/2"-13. 1-3/4" LONG	3.000	ST
20	8.638-877.0	Screw THPM 8-32 X .25 ZNPLT	4.000	ST
21	8.638-878.0	Screw PHP DRILLING 6-20 X .38 ZNPLT	1.000	ST
22	8.638-879.0	Screw HEX CAP, .500-13 X .875L	1.000	ST
23	8.638-880.0	ZINC PLATED, 3/8"-16 THREAD, 1" LONG	4.000	ST
24	8.638-881.0	Washer flat .38 X .06T X 1.0 OD, STL, Z	8.000	ST
25	8.638-882.0	HEX NUT, LOCK, 3/8"-16 THREAD	4.000	ST
26	8.638-883.0	ARMS PLASTIC BUSHING 1.00 LENGTH	2.000	ST
27	8.638-884.0	NYLON PLASTIC WASHER 0.812" ID, 1.057" O	2.000	ST



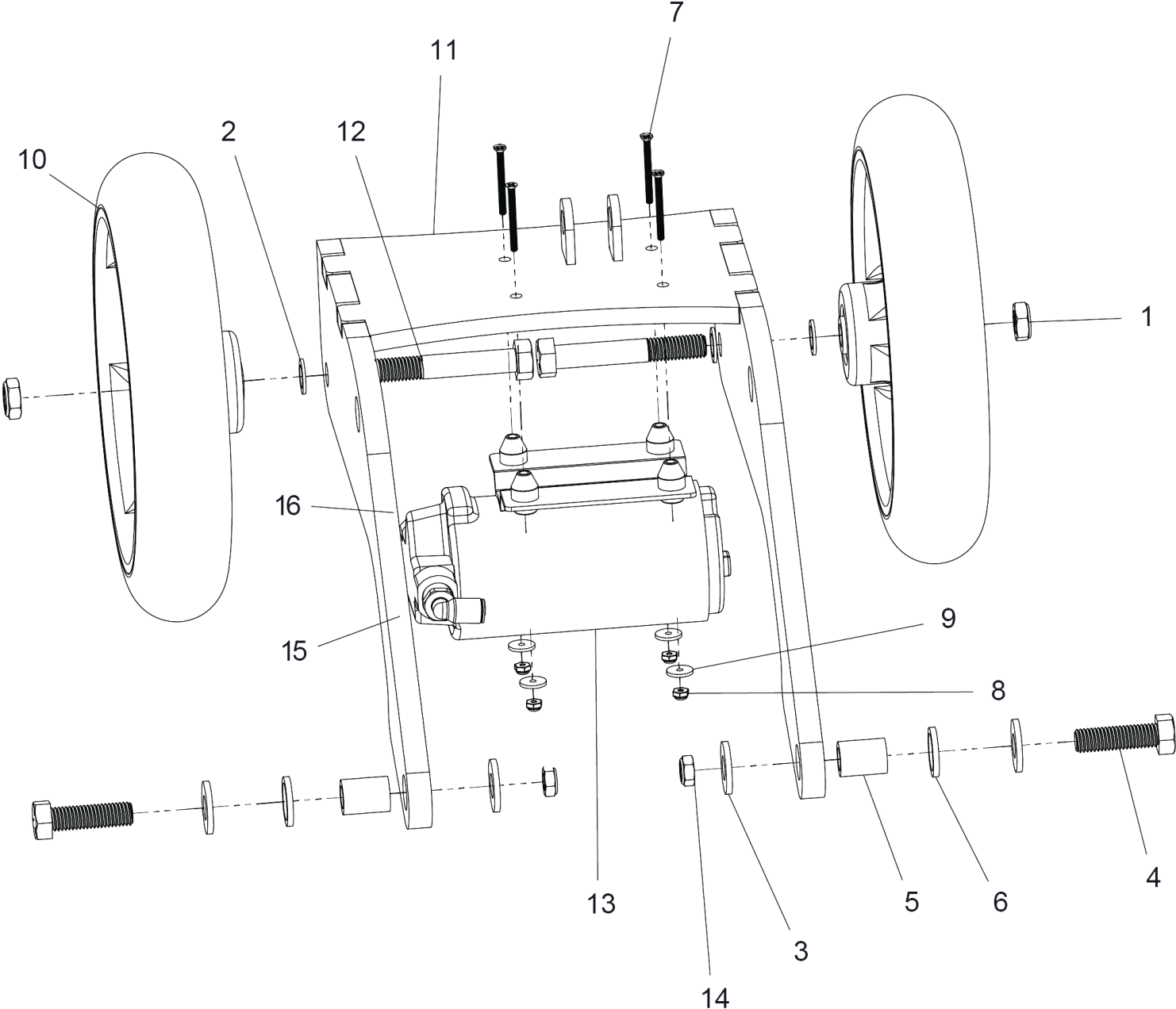
30 Tank

POS	Article no.	Description	Quantity	Unit
1	8.638-885.0	Tank Vibe	1.000	ST
2	8.638-886.0	BRACE, TANK	1.000	ST
3	8.638-887.0	Cap drain 2"	1.000	ST
4	8.638-888.0	Cap Deck plate 6"	1.000	ST
5	8.638-889.0	FAUCET FILL	1.000	ST
6	8.638-890.0	TUBING, .375 OD X .25 ID, BLACK	1.000	ST
7	8.638-891.0	TUBING, FAUCET FILL, 26 INCH	1.000	ST
8	8.638-892.0	VALVE, DUCKBILL	1.000	ST
9	8.638-893.0	FITTING, ELBOW, SWIVEL, .25 NPT X .38 OD	1.000	ST
10	8.638-894.0	Strainer filter	1.000	ST
11	8.638-895.0	Valve male connector .53 DIA	1.000	ST
12	8.638-896.0	Washer flat .25 ID X .625 OD X .06 THK	4.000	ST
13	8.638-897.0	1/4"-20 THREAD 3/4" LONG	4.000	ST
14	8.638-898.0	ROUNDED HEAD THREAD-FORMING SCREW	6.000	ST



40 Motor

POS	Article no.	Description	Quantity	Unit
1	8.638-868.0	Lock nut E PANEL, .5-14 NPSM, ZNPLT	1.000	ST
2	8.638-881.0	Washer flat .38 X .06T X 1.0 OD, STL, Z	10.000	ST
3	8.638-896.0	Washer flat .25 ID X .625 OD X .06 THK	8.000	ST
4	8.638-899.0	WELD BASE ASSY	1.000	ST
5	8.638-900.0	BUMPER, 17 INCH	1.000	ST
6	8.638-901.0	Motor 1HP	1.000	ST
7	8.638-902.0	WELD ASSY, SPACER PLATE	2.000	ST
8	8.638-903.0	ASSY, COUNTERWEIGHT	1.000	ST
9	8.638-904.0	WASHER, BELLEVILLE, LOCK, .9 ID X 1.3 OD	1.000	ST
10	8.638-905.0	LOCK NUT, E PANEL, .75-14 NPSM, ZNPLT	1.000	ST
11	8.638-906.0	ELBOW, ELECTRICAL BOX, MOTOR	1.000	ST
12	8.638-907.0	SCREW, SOCKET SET, .38-24 X 1.50 STL CUP	1.000	ST
13	8.638-908.0	Shaft support	1.000	ST
14	8.638-909.0	SCREW, HEX HEAD, .38-16 X .75, STL, GRD8	4.000	ST
15	8.638-910.0	SCREW, HEX CAP, .38-16 X .88, STL, GRD5	4.000	ST
16	8.638-911.0	SCREW, HEX CAP, .312-18 x .75, ZNPLT	2.000	ST
17	8.638-912.0	SCREW, FHPM, .25-20 X 1.0, ZNPLT	4.000	ST
18	8.638-913.0	HEX NUT, LOCK, .25-20 X .438W X .313H, Z	8.000	ST
19	8.638-914.0	SCREW, THPM, .25-20 X 1.5, 18-8 SST	8.000	ST
20	8.638-915.0	HANDLE SPRAYERS ASSY	1.000	ST
21	8.638-916.0	WIRE MOUNT, ELECTRICAL BOX, MOTOR	1.000	ST
22	8.638-917.0	HANDLE SPRAYERS BACK HOSE	1.000	ST
23	8.638-918.0	17" UNIVERSAL DRIVER KIT	1.000	ST
24	8.638-919.0	17" REPLACEMENT VELCRO DRIVER PLATE	1.000	ST



50 Frame, Wheels, & Pump

POS	Article no.	Description	Quantity	Unit
1	8.638-872.0	HEX nut lock .5-13 X .75W X .312H	2.000	ST
2	8.638-873.0	Washer nylon .50 ID X .75 OD X .06 T	4.000	ST
3	8.638-875.0	Washer plastic .500 X .125 X 1.125OD	4.000	ST
4	8.638-876.0	ZINC PLATED, 1/2"-13. 1-3/4" LONG	2.000	ST
5	8.638-883.0	ARMS PLASTIC BUSHING 1.00 LENGTH	2.000	ST
6	8.638-884.0	NYLON PLASTIC WASHER 0.812" ID, 1.057" O	2.000	ST
7	8.638-920.0	6-32 THREAD SIZE, 1-1/2" LENGTH	4.000	ST
8	8.637-721.0	NUT, 6-32, HEX NYLOCK STL ZNPLT	4.000	ST
9	8.637-720.0	WASHER, PUMP MOUNT	4.000	ST
10	8.638-923.0	Wheel 10"	2.000	ST
11	8.638-924.0	WELD ASSY TABS, BASE FRAME	1.000	ST
12	8.638-925.0	SCREW, HEX CAP, .5-13 X 3.25, GRD 5, ZNP	2.000	ST
13	8.637-661.0	PUMP, 90 PSI, 120V	1.000	ST
14	8.638-928.0	HEX NUT, LOCK, .38-16 X .563W, .266H, ZN	2.000	ST
15	8.637-669.0	FITTING, GUEST, 90 DEG	1.000	ST
16	8.638-930.0	FITTING, ELBOW 90 1/4"	1.000	ST