



Spare Parts List

**(1.005-238.0, 1.005-239.0, 1.005-243.0, 1.005-244.0, 1.005-286.0,
1.005-282.0)**

Cutter 24V Deluxe

From Serial Number (Ref No. 1*)

* See Serial Number page
or call manufacturer.

How to Use this Spare Parts List

The PARTS LIST section contains assembled parts illustrations and corresponding parts list. The parts lists include a number of columns of information:

- REF - column refers to the reference number on the parts illustration.
- PART NO. - column lists the part number for the part.
- QTY - column lists the quantity of the part used in that area of the machine.
- DESCRIPTION - column is a brief description of the part.
- SERIAL NO. FROM - If this column has an (*) and a Reference number, see the SERIAL NUMBERS page in the back of your manual. If column has two asterisk (**), call manufacturer for serial number. The serial number indicates the first machine the part number is applicable to. The main illustration shows the most current design of the machine. When a boxed illustration is shown, it displays the older design.
- NOTES - column for information not noted by the other columns.

NOTE: *If a service or option kit is installed on your machine, be sure to keep the KIT INSTRUCTIONS which came with the kit. It contains replacement parts numbers needed for ordering future parts.*

How to Use this Spare Parts List2

Table of Contents3

Control Handle 4

Cover (Front) & Tank Mount 6

Parts- Cover (Top) & Tank Mount 8

Decal 10

Electrical Panel 12

Lift Handle 14

Lift Handle Linkage 16

Recovery Tank 18

Scrub Brush & Pad Driver 20

Scrub Deck Aqua-Mizer 26IN - Scrubhead 22

Scrub Deck Aqua-Mizer - 32 IN Scrubhead 24

Scrub Deck Motors 26

Scrub Deck Skirt - 26 IN Scrubhead 28

Scrub Deck Skirt - 32 IN Scrubhead 30

Scrub Deck Lift Linkage - 26 IN Scrubdeck 32

Scrub Deck Lift Linkage - 32 IN Scrubdeck 34

Scrub Deck Lift 1 36

Scrub Deck Lift 2 38

Solution 1 40

Solution 2 42

Squeegee - 26 IN Scrubhead 44

Squeegee - 32 IN Scrubhead 46

Squeegee Lift Linkage (Lower) 48

Vacuum 50

Wheels & Frame 52

Wiring - Battery 54

Wiring - Control Panel 56

Wiring - Main Harness 58

Wiring - Schematic - SCX264, SCX324 60

Options

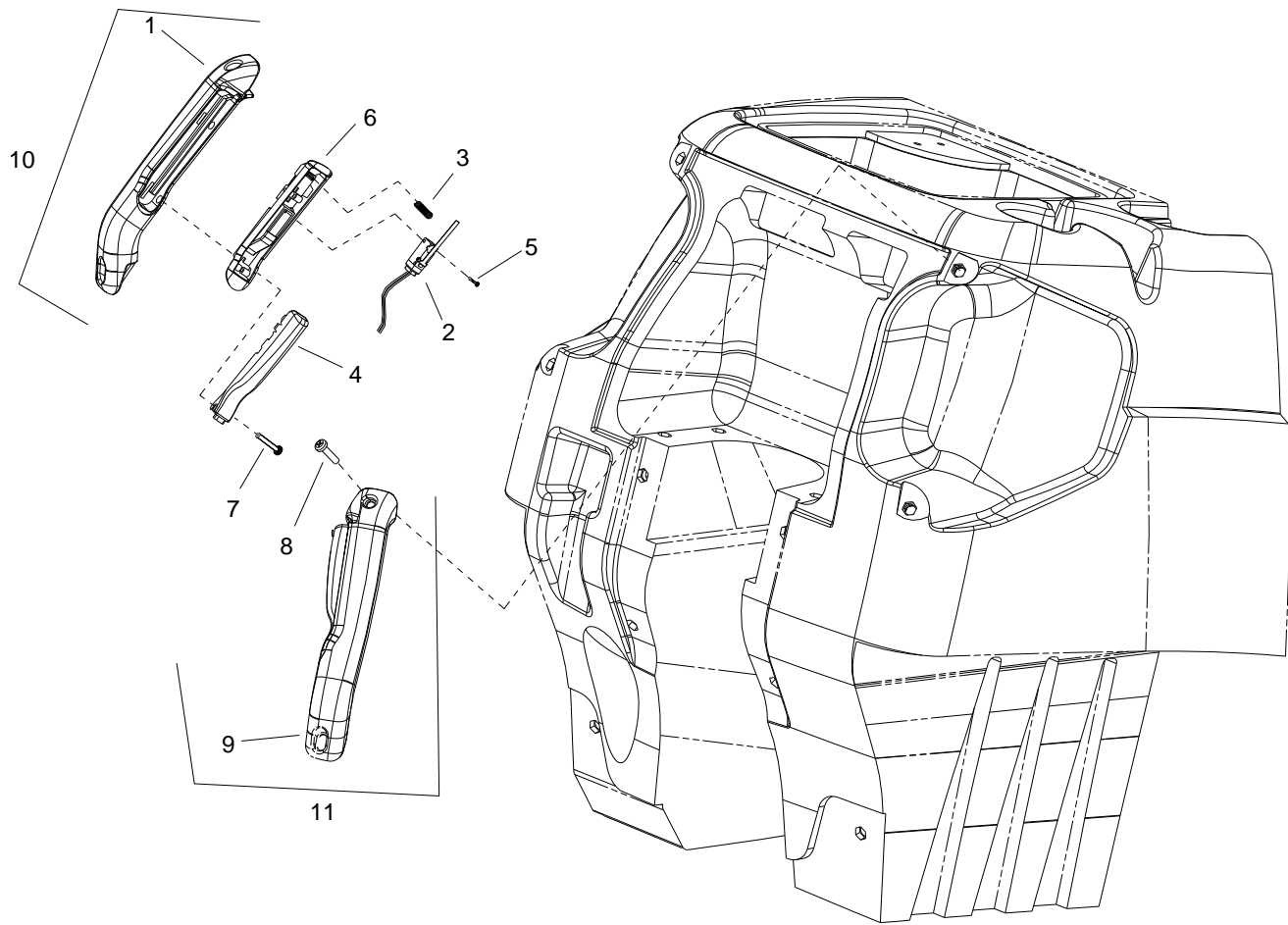
Brake 64

Emergency Stop 66

Accessory Pump 68

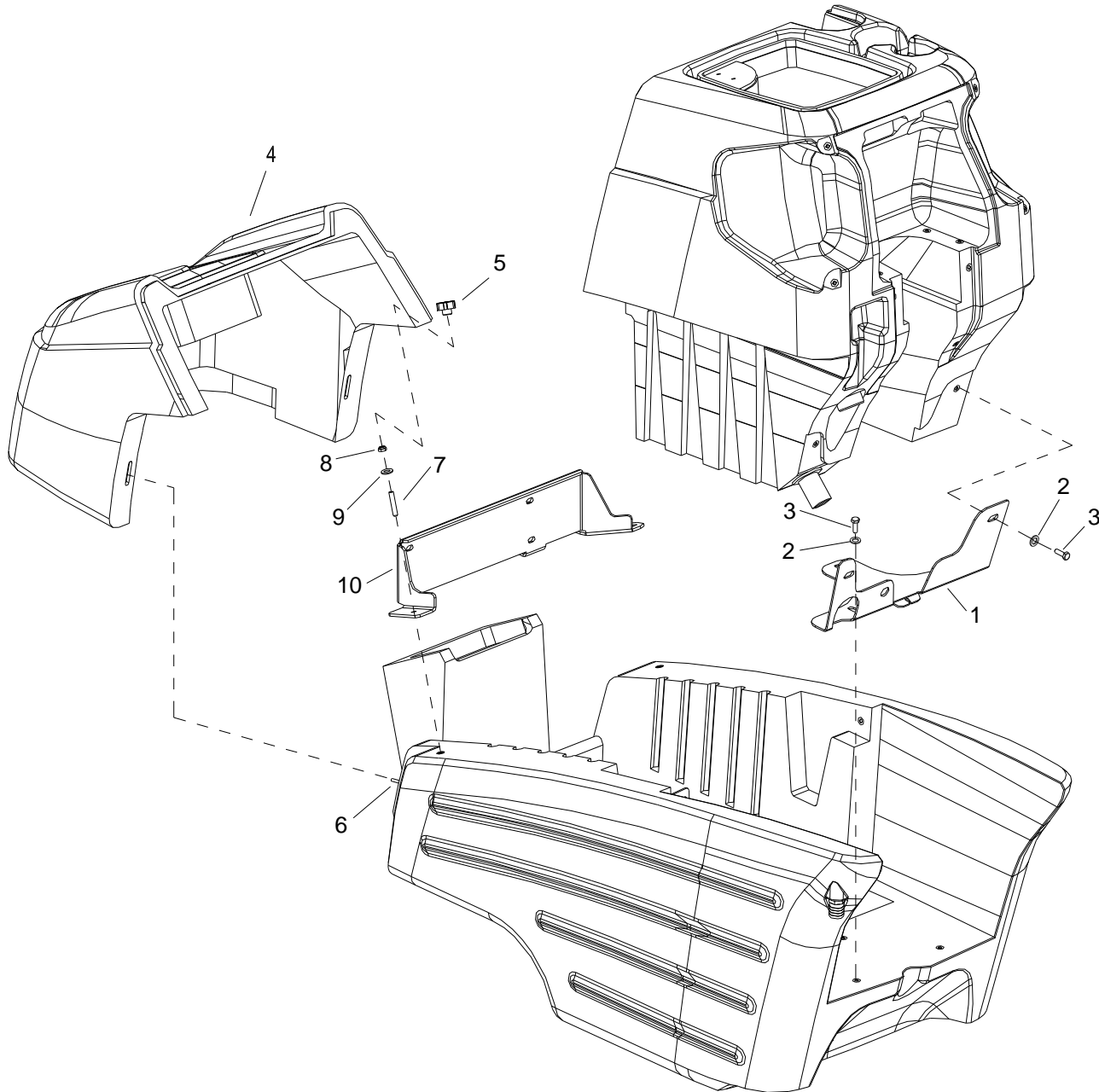
Battery Charger - SCC326 70

Serial Number72



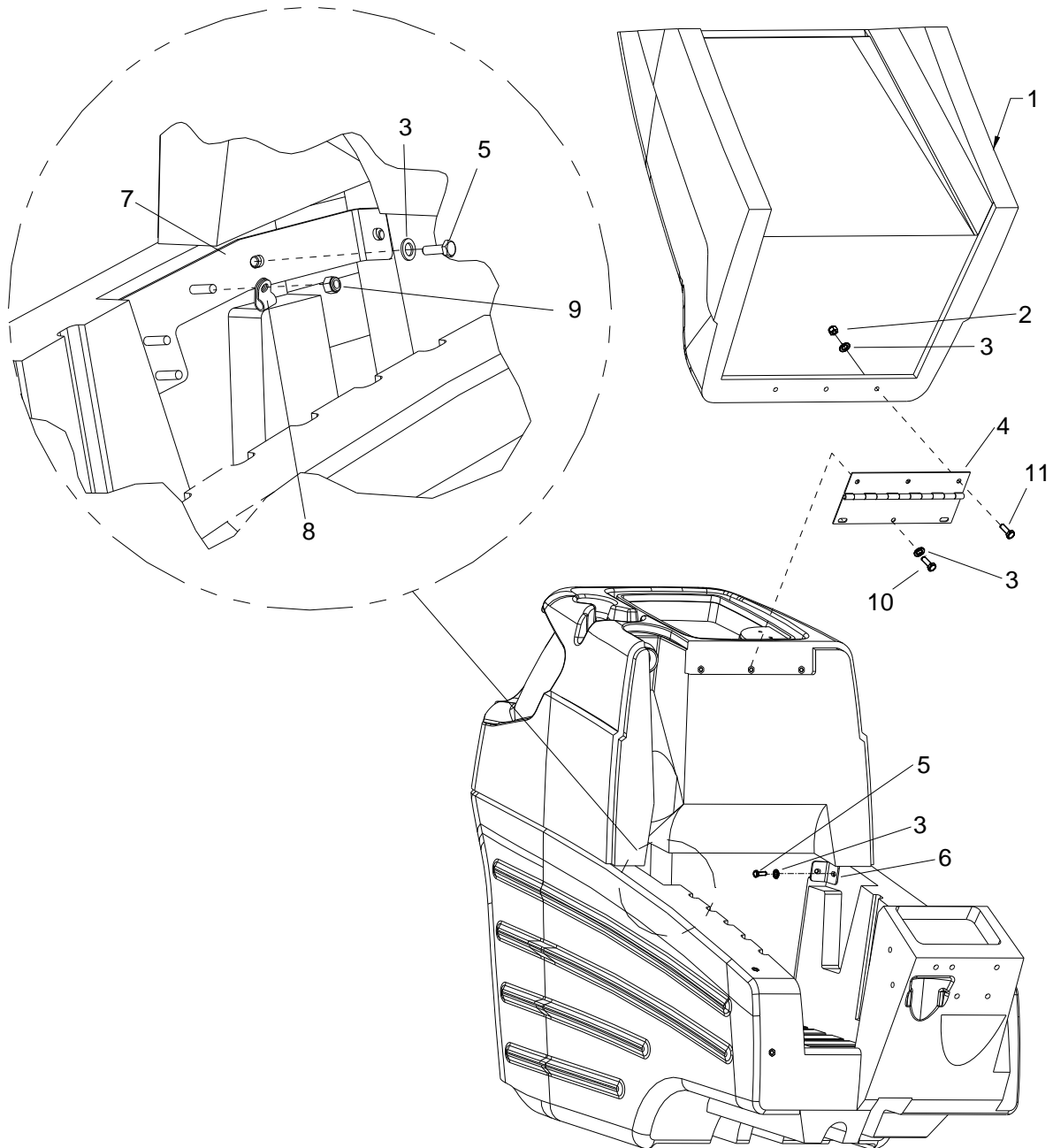
REF	PART NO.	QTY	DESCRIPTION	SERIAL NO. FROM	NOTES:
1	86238730	1	HANDLE, LEFT		
2	86257230	2	SWITCH, SPST MOM NO W/LEVER		
3	86254920	2	SPRING, COMP .240D X 1.25 X .018		
4	86338190	2	BUTTON PROPEL, YLW		
5	86277070	2	SCR, 4-40 X 5/8 PPHMS		
6	86240990	2	HOUSING, BUTTON		
7	86277060	4	SCR, 8-32 X 7/8 PHTC TYPE 23		
8	86277050	4	SCR, 5/16-18 X 3/4 SHCS NP		
9	86238740	1	HANDLE, RIGHT		
10	86338860	-	PROPEL HANDLE ASM, LEFT, YLW		
11	86338870	-	PROPEL HANDLE ASM, RT, YLW		

Cover (Front) & Tank Mount

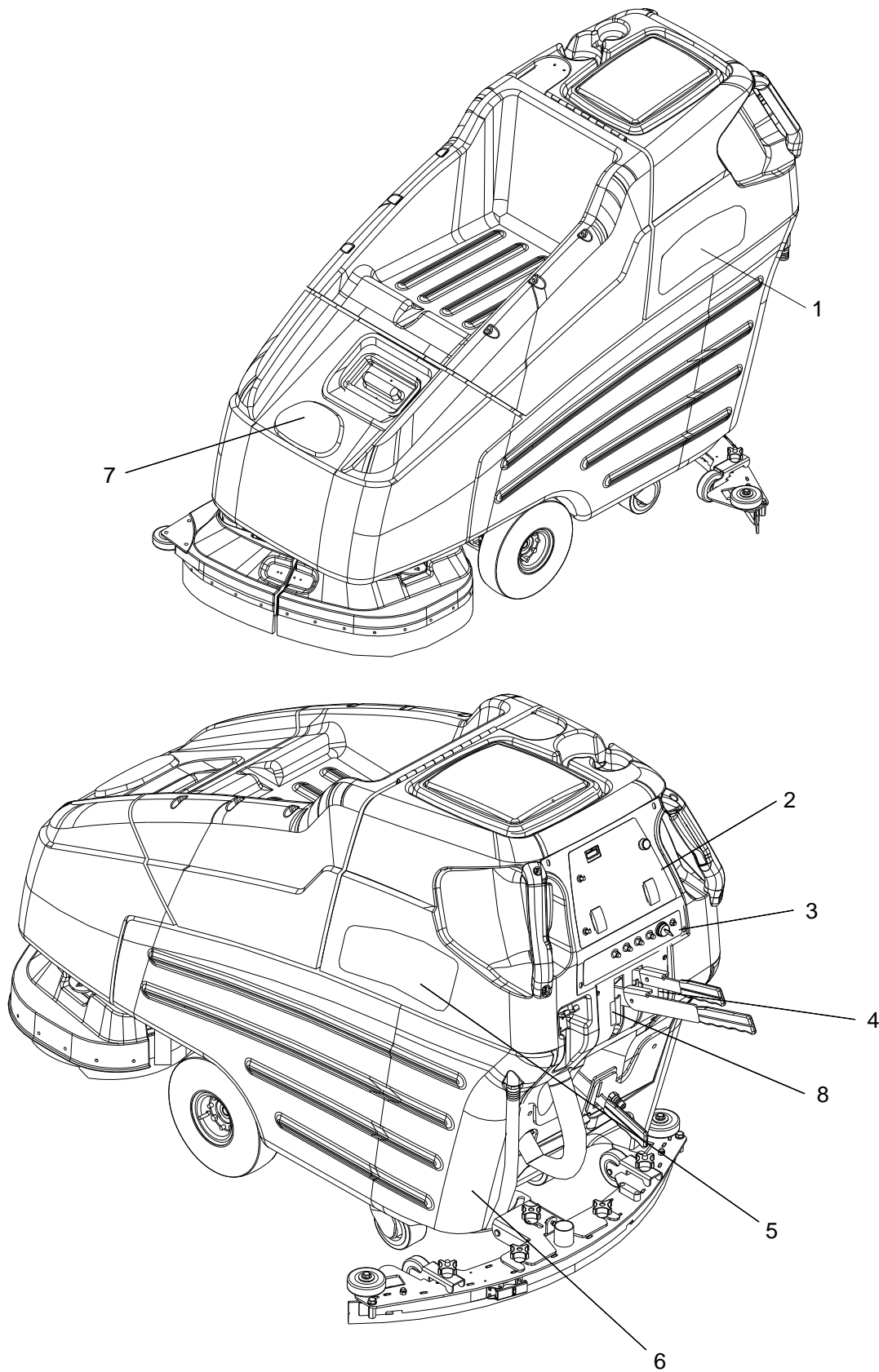


REF	PART NO.	QTY	DESCRIPTION	SERIAL NO. FROM	NOTES:
1	86070150	1	BRKT, TANK MOUNT 24V		
2	86010670	4	WASHER, 5/16 FLAT SS		
3	86276780	4	SCR, 5/16-18 X 3/4 HHCS SS		
4	86393050	1	COVER, FRONT, HD 24V, BLK		
5	86377890	2	KNOB, 1.36" DIA X 5/16-18		
6	86276380	2	SCR, 5/16-18 X 1.25 SSSCU		
7	86278080	2	SET SCR, 5/16-18 X 1.75 CP SS		
8	86271840	2	NUT, 5/16-18 HEX NYLOCK THIN SS		
9	86010670	2	WASHER, 5/16 FLAT SS		
10	86068150	1	BRACKET, TANK SUPPORT		

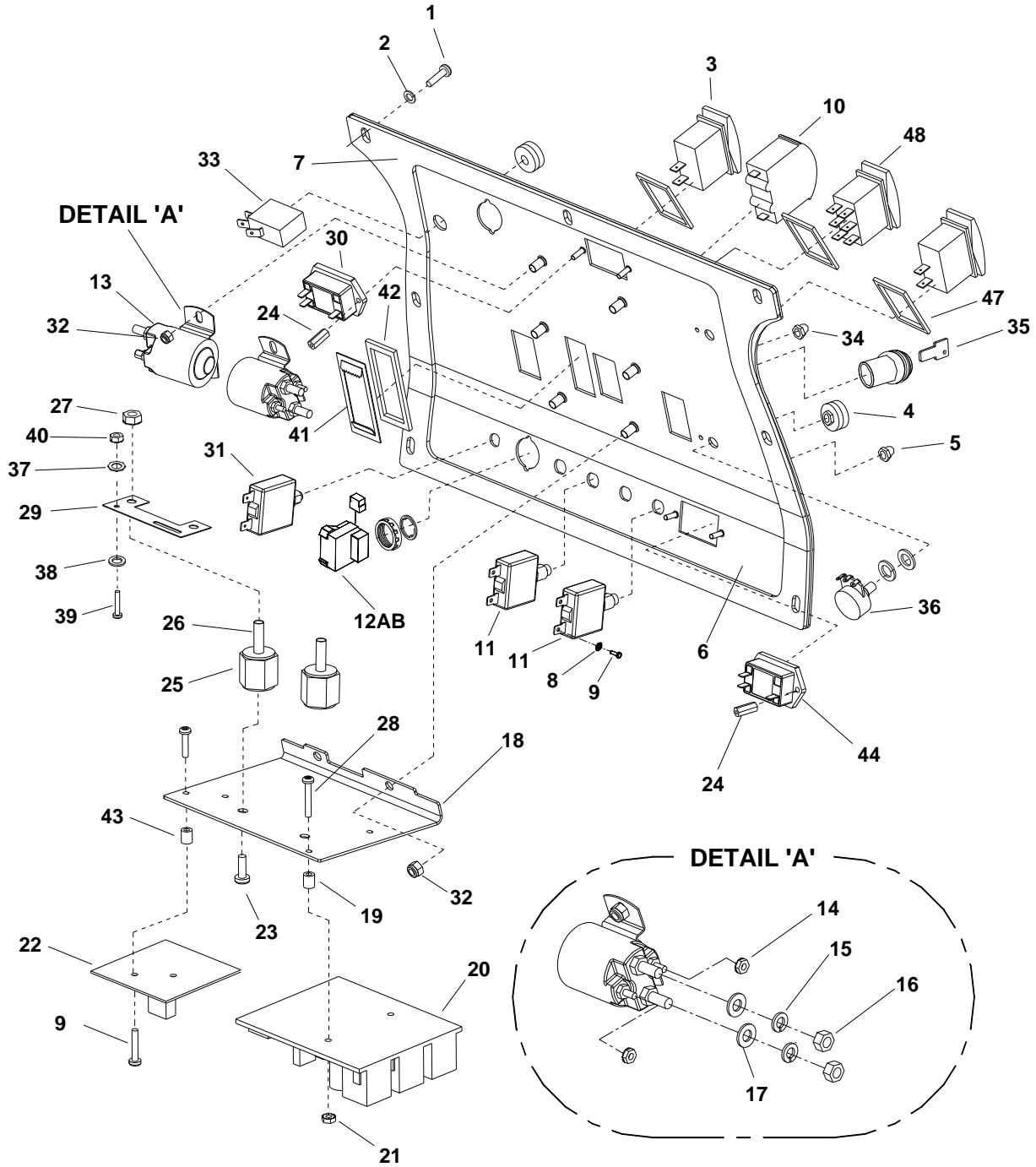
Parts- Cover (Top) & Tank Mount



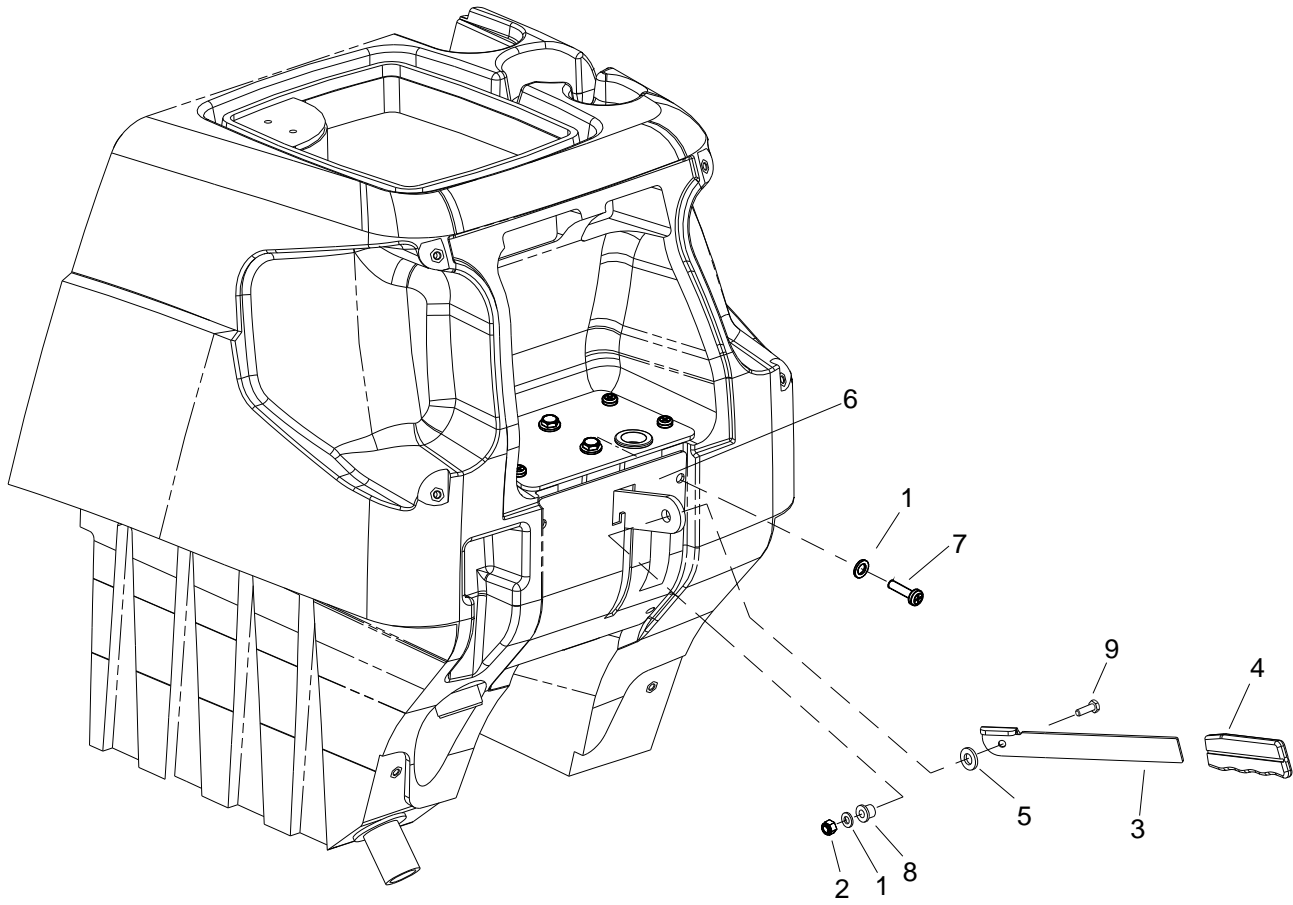
REF	PART NO.	QTY	DESCRIPTION	SERIAL NO. FROM	NOTES:
1	86393030	1	COVER, TOP, HD 24V, MD GRY		
2	86271840	3	NUT, 5/16-18 HEX NYLOCK THIN SS		
3	86010670	10	WASHER, 5/16 FLAT SS		
4	86239630	1	HINGE, COVER TO TANK		
5	86276780	4	SCR, 5/16-18 X 3/4 HHCS SS		
6	86073700	1	BRACKET, TANK LEFT		
7	86069630	1	BRACKET, TANK RIGHT		
8	86233390	1	CLAMP, 7/8 DIA "P" CUSHIONED		
9	86271870	1	NUT, 1/4-20 HEX NYLOCK THIN SS		
10	86276490	3	SCR, 5/16-18 X 5/8 HHCS SS		
11	86276780	3	SCR, 5/16-18 X 3/4 HHCS SS		
-	86292630	1	NET, CARGO		NOT SHOWN



REF	PART NO.	QTY	DESCRIPTION	SERIAL NO. FROM	NOTES:
1	86396100	1	LABEL, CUTTER RIGHT		
2	86396130	1	LABEL, ELEC. PANEL 24V DELUXE		
3	86400230	1	LABEL, ELEC. PANEL. LOWER 24V		
4	86396810	1	LABEL, SQUEEGEE LEVER		
5	86396120	1	LABEL, CUTTER LEFT		
6	86243180	1	LABEL, SOLUTION FILL 24V		
7	86395400	1	LABEL, WINDSOR LOGO DOMED		

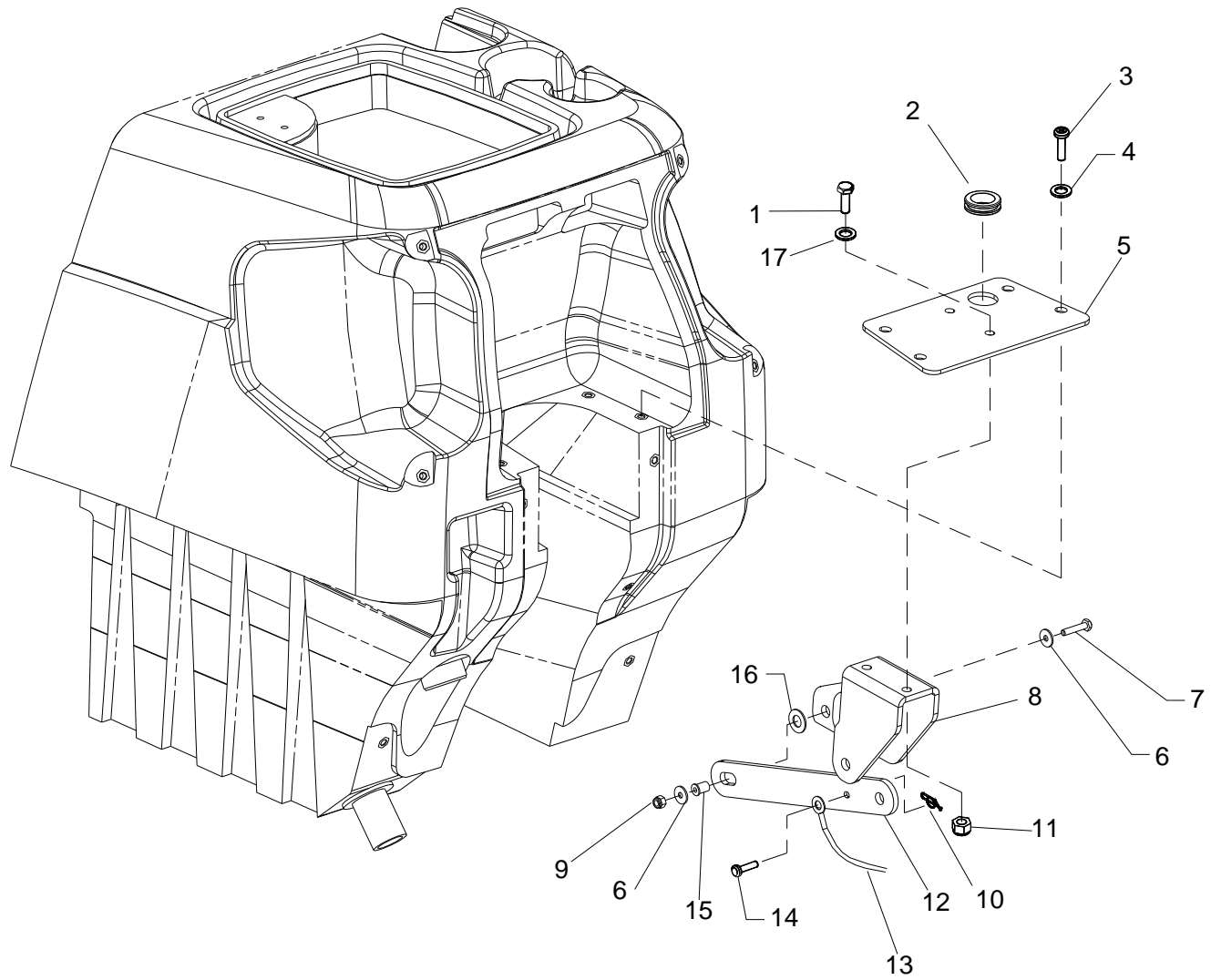


REF	PART NO.	QTY	DESCRIPTION	SERIAL NO. FROM	NOTES:
1	86276290	7	SCR, #10 X 3/4 PPHST HI-LO BLK		
2	86294250	7	WASHER, .19 ID X .5 X .09TK BLK		
3	86007140	2	SWITCH, SPST 2-POSITION ROCKER		
4	86242110	2	KNOB, .90 OD X .25 COLLET		
5	86008900	4	BOOT, SEAL-PUSH BUTTON 7/16-28		
6	86082180	1	PLATE, ELEC. PANEL 24V DELUXE		
7	86237800	1	GASKET, ELEC PLATE 24V		
8	86279300	8	WASHER, #6 LOCK		
9	86273990	12	SCR, 6-32 X 3/8 PPHMS		
10	86246940	1	METER, 0-50 AMP DC		
11	86001910	4	BREAKER, 30A 50VDC CIRCUIT		
12A	86007170	1	SWITCH KEY TWO POSITION		
12B	86193750	-	SWITCH, PADDLE 2-POSITION		OPTIONAL
13	86006420	2	RELAY, 24VDC 100A		
14	86005700	4	NUT,10-32 W/STAR WASHER PLTD		
15	86279480	4	WASHER, 5/16 EXT LOCK PLTD		
16	86271080	4	NUT, 5/16-24 HEX PLTD		
17	86010760	2	WASHER, .344 X .69 X .066 FLAT PLT		
18	86082820	1	PLATE, ELECT. PANEL, BACK		
19	86254440	2	SPACER, .166 ID X .313 OD X .375 L AL		
20	86002950	1	CONTROLLER, 24VDC PROPEL MOTOR		
21	86270850	2	NUT, 8-32 HEX NYLOCK		
22	86003250	1	CIRCUIT BOARD, SOL FLOAT WIRED		
23	86276880	2	SCR, 1/4-20 X 3/8 HHCS SS		
24	86255900	4	STANDOFF, 6-32 x 1.0 HEX NYL		
25	86255910	2	STANDOFF, 1/4-20 X 1.0 HEX INS		
26	86006850	2	SET SCR, 1/4-20 X 1.25 L		
27	86005710	2	NUT, 1/4-20 HEX W/STAR WASHER		
28	86273910	2	SCR, 8-32 X 1 PPHMS		
29	86253630	1	SHUNT, DC AMM. 25 AMP, 50MV		
30	86005520	1	METER, 24V BATTERY CHARGE LEVEL		
31	86002000	1	BREAKER, 3 AMP		
32	86271870	6	NUT, 1/4-20 HEX NYLOCK THIN SS		
33	86257030	1	SWITCH, MOMENTARY, DPST		
34	86002010	1	BOOT, 3/8 CIRCUIT BREAKER		
35	86004860	1	KEY SWITCH		SERVICE ONLY
36	86006310	1	POTENTIOMETER, 50K OHMS		SERVICE ONLY
37	86279020	2	WASHER, #6 LOCK EXT STAR SS		
38	86279600	2	WASHER, #6 FLAT BRASS		
39	86276250	2	SCR, 6-32 X 3/8 SRHMS BR		
40	86271790	2	NUT, 6-32 HEX BRASS		
41	86249290	1	PLATE, METER RETAINING		
42	86237830	1	GASKET, AMP METER		
43	86255890	2	STANDOFF, 6-32 X 1.0 HEX NYL		
44	86005530	1	METER, 12-48 VDC LED HOUR		
45	86267340	2	WIRE, 22" RED/18 76040 X 76075		NOT SHOWN
46	86267360	1	WIRE, 14" BLK/18 76011 X 76040		NOT SHOWN
47	86238030	3	GASKET, SWITCH CARLING		
48	86007210	1	SWITCH, DPDT 3-POSITION ROCKER		



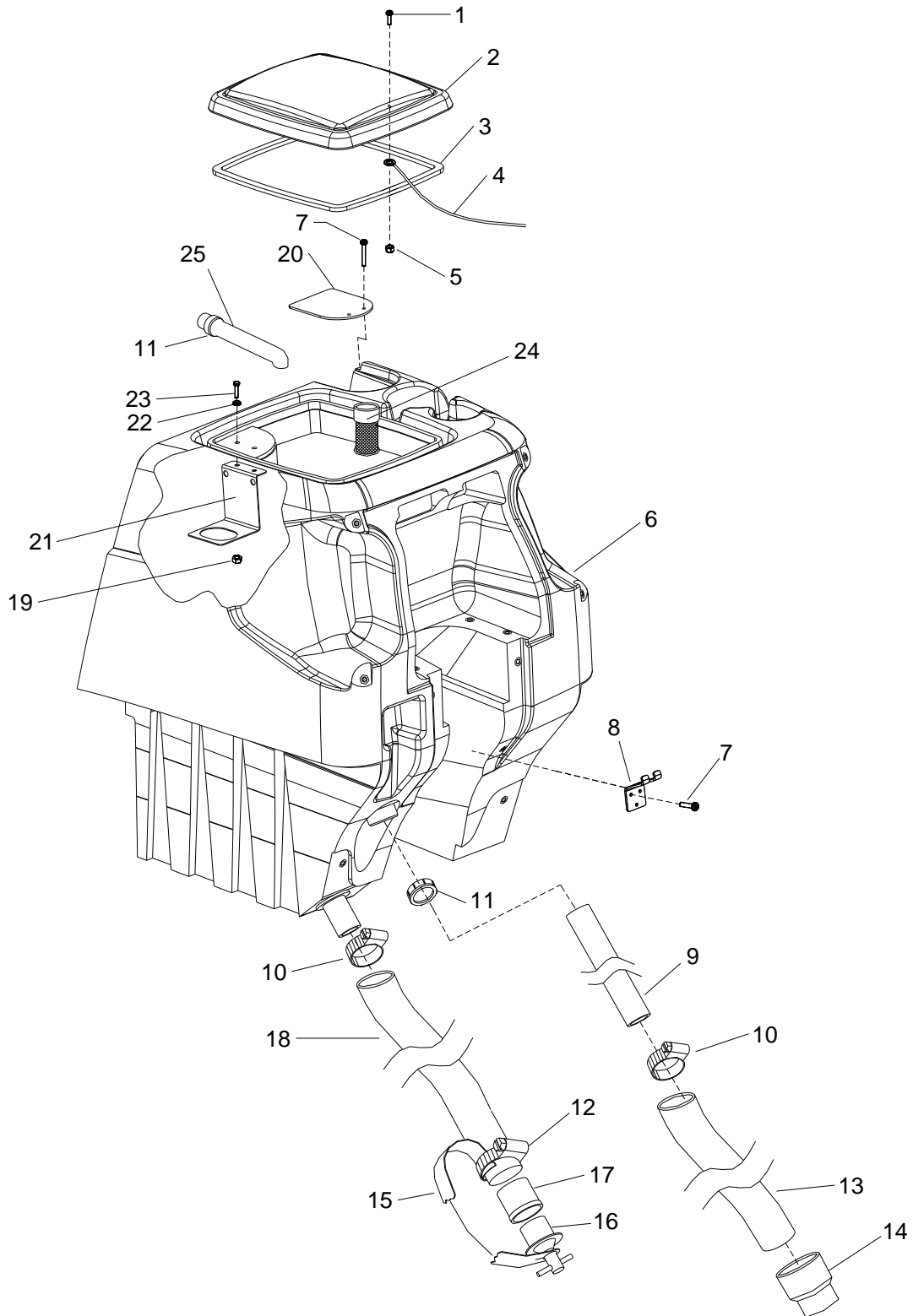
REF	PART NO.	QTY	DESCRIPTION	SERIAL NO. FROM	NOTES:
1	86010670	5	WASHER, 5/16 FLAT SS		
2	86271840	1	NUT, 5/16-18 HEX NYLOCK THIN SS		
3	86066860	1	BAR, SQG LIFT SWING		
4	86336000	1	GRIP, 3/16X 1.0, YLW		
5	86259400	1	WASHER, THRUST .51ID X 1OD BRO		
6	86082390	1	PLATE, LEVER NOTCH 24V DLX		
7	86276780	4	SCR, 5/16-18 X 3/4 HHCS SS		
8	86228840	1	BEARING, FLANGED .314 ID X .502 OD		
9	86006930	1	SCR, 5/16-18 X 1.00 BSHCS SS		

Lift Handle Linkage

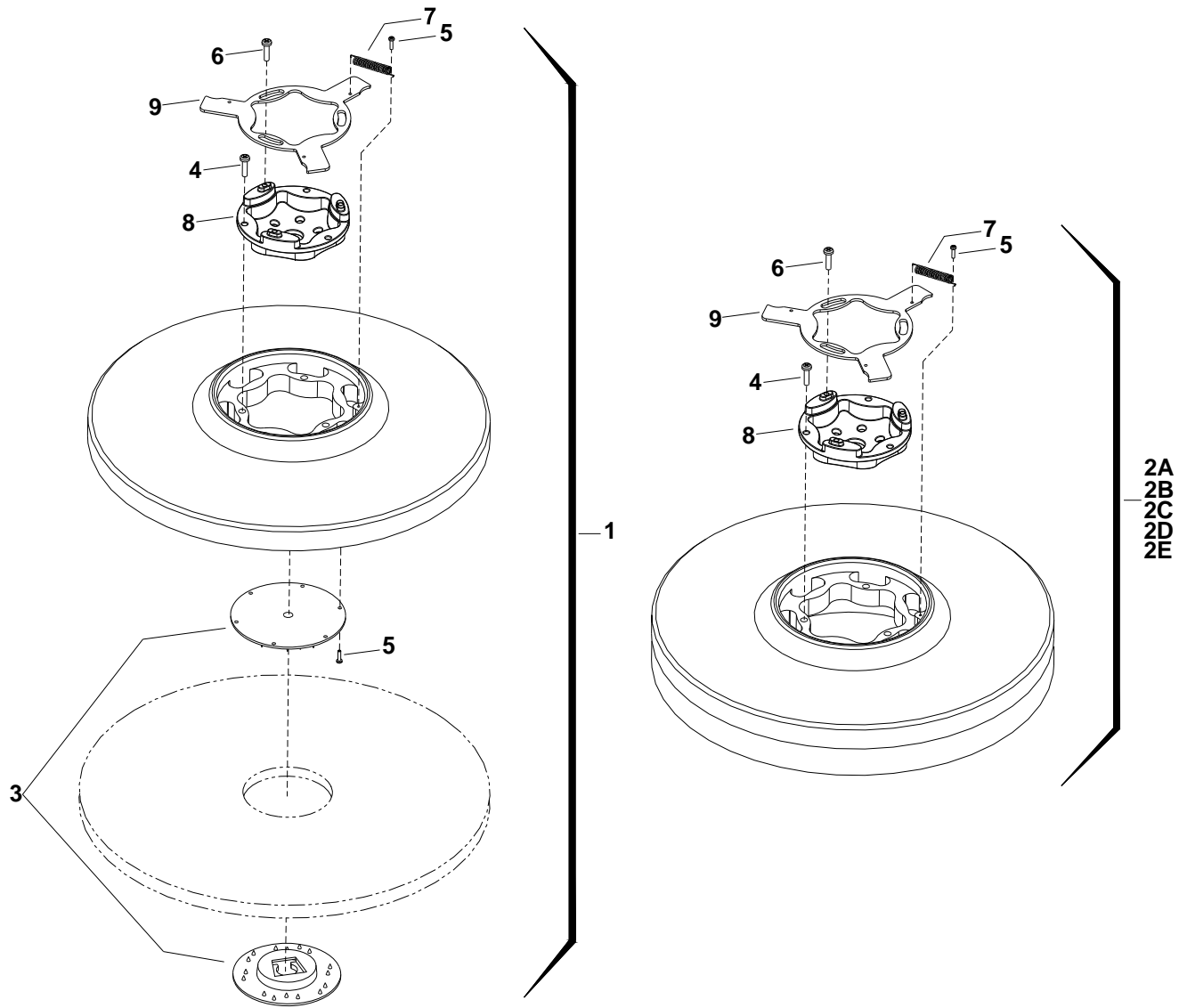


REF	PART NO.	QTY	DESCRIPTION	SERIAL NO. FROM	NOTES:
1	86276920	2	SCR, 3/8-16 X 1 HHCS SS NP		
2	86238430	1	GROMMET, 1.00ID 3/16 GRIP		
3	86276780	4	SCR, 5/16-18 X 3/4 HHCS SS		
4	86010670	4	WASHER, 5/16 FLAT SS		
5	86082270	1	PLATE, PIVOT		
6	86010630	2	WASHER, 1/4ID X 5/8OD SS		
7	86273820	1	SCR, 1/4-20 X 1.25 HHCS SS		
8	86069610	1	BRACKET, SCRUB DECK PIVOT 24V		
9	86271870	1	NUT, 1/4-20 HEX NYLOCK THIN SS		
10	86008650	1	COTTER, 1/4" RING		
11	86005630	2	NUT, 3/8-16 HEX NYLOCK THIN SS		
12	86077480	1	LINK, SQG LIFT FIXED		
13	86003240	1	CABLE, .125 X 26.5 0707 SS LB E-E		
14	86009560	1	PIN, CLEVIS 1/4" X 5/8" PLTD		
15	86228900	1	BEARING, FLANGED .252ID X .503OD		
16	86259400	1	WASHER, THRUST .51ID X 1OD BRO		
17	86278910	2	WASHER, 3/8 ID X 7/8 OD SS		

Recovery Tank



REF	PART NO.	QTY	DESCRIPTION	SERIAL NO. FROM	NOTES:
1	86274220	1	SCR, 6-32 X 5/8 PPHMS SS		
2	86003340	1	DOME, 13 X 11		
3	86003990	1	GASKET, DOME		
4	86246080	1	LANYARD, 18.0 W/ LOOP & EYE		
5	86014810	1	NUT, 6-32 ACORN SS		
6	86392990	1	TANK, REC, HD 24V, MD GRY		
7	86276290	5	SCR, #10 X 3/4 PPHST HI-LO BLK		
8	86001190	1	BRACKET, RECOVERY HOSE MTG		
9	86089630	1	TUBE, 1.5 PVC X 24.0		
10	86233140	2	CLAMP, 2.0" WORM GEAR		
11	86372080	2	NUT, 1.5 SLIP JOINT		
12	86002400	1	CLAMP, 2.0" WORM GEAR X .312W		
13	86004180	1	HOSE, 1.5 BLK VAC X 28"		
14	86002840	1	CUFF, 1.5 SLIP X 1.5 HOSE		
15	86008400	1	TETHER, DRAIN PLUG		
16	86006240	1	PLUG, DRAIN HOSE		
17	86004450	1	HOSEBARB, 1.5 DOUBLE MCHD		
18	86004260	1	HOSE, 1.5 X 24.0 DRAIN		
19	86271870	2	NUT, 1/4-20 HEX NYLOCK THIN SS		
20	86075540	1	COVER, VACUUM HOSE		
21	86069780	1	BRACKET, VAC INTAKE		
22	86010630	2	WASHER, 1/4ID X 5/8OD SS		
23	86273810	2	SCR, 1/4-20 X 1 HHCS SS		
24	86236410	1	FLOAT, VAC SHUT OFF		
25	86257860	1	TUBE, 1.5 WASTE		



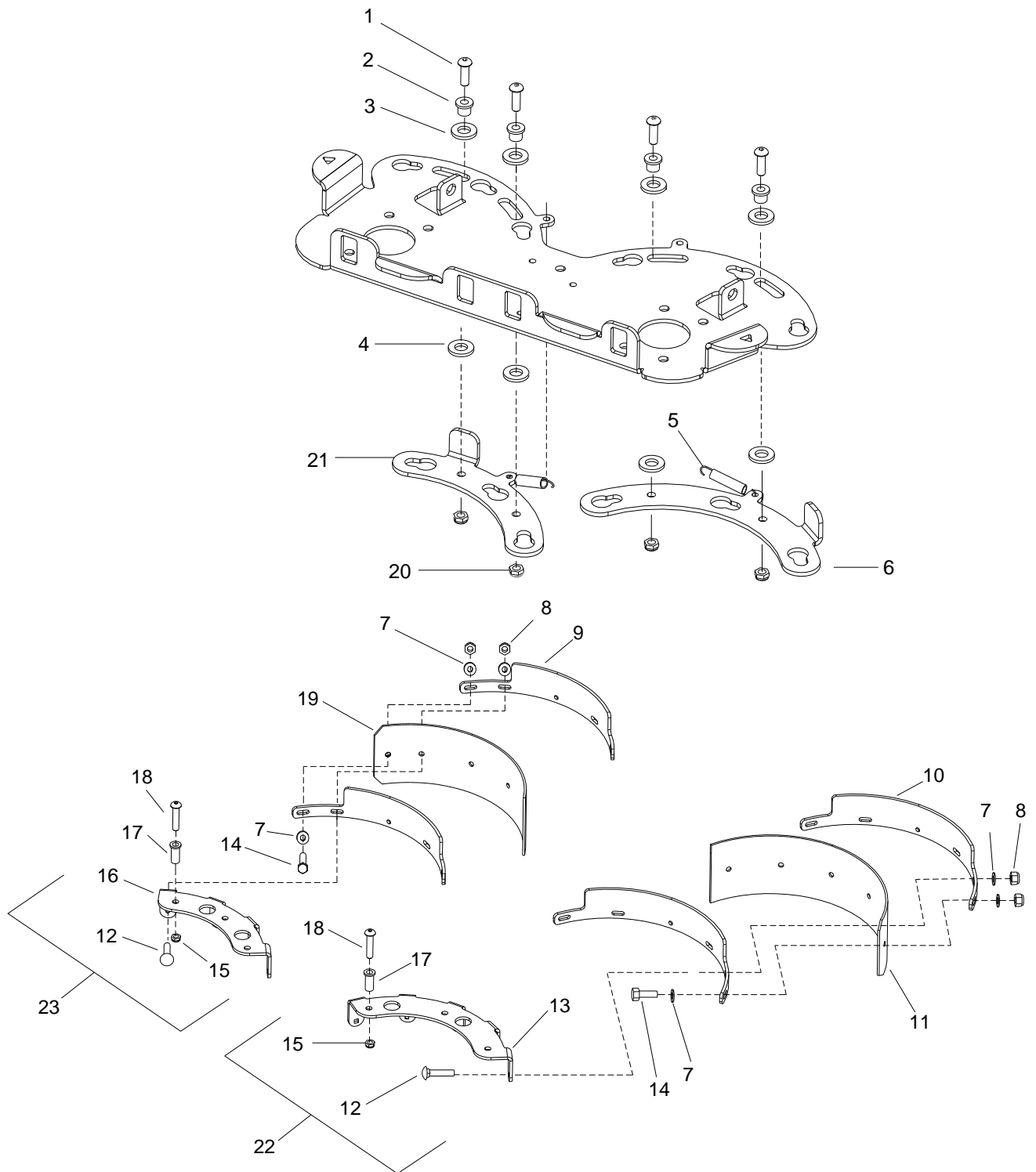
26 IN DISK:

REF	PART NO.	QTY	DESCRIPTION	SERIAL NO. FROM	NOTES:
1	86000210	2	PAD DRIVER, 13" SD		
2A	86000220	2	BRUSH, 13" POLYPROPYLENE SD		
2B	86000230	2	BRUSH, 13" NYLON SD		
2C	86000240	2	BRUSH, 13" MILD GRIT SD		
3	86005070	1	LOCK, PAD CENTER SNAP, TWO STEP		
4	86276590	3	SCR, 12-24 X 1.0 PPHMS SS		
5	86276580	4	SCR, 8-32 X 3/4 PTHMS		
6	86276600	3	SCR, 10-32 X 3/4 PTHMS		
7	86007910	1	SPRING, EX .31 D X 2.0 L X .03 W SS		
8	86007280	1	SOCKET, DRIVE BRUSH		
9	86005940	1	PLATE, BRUSH RELEASE		

32 IN DISK:

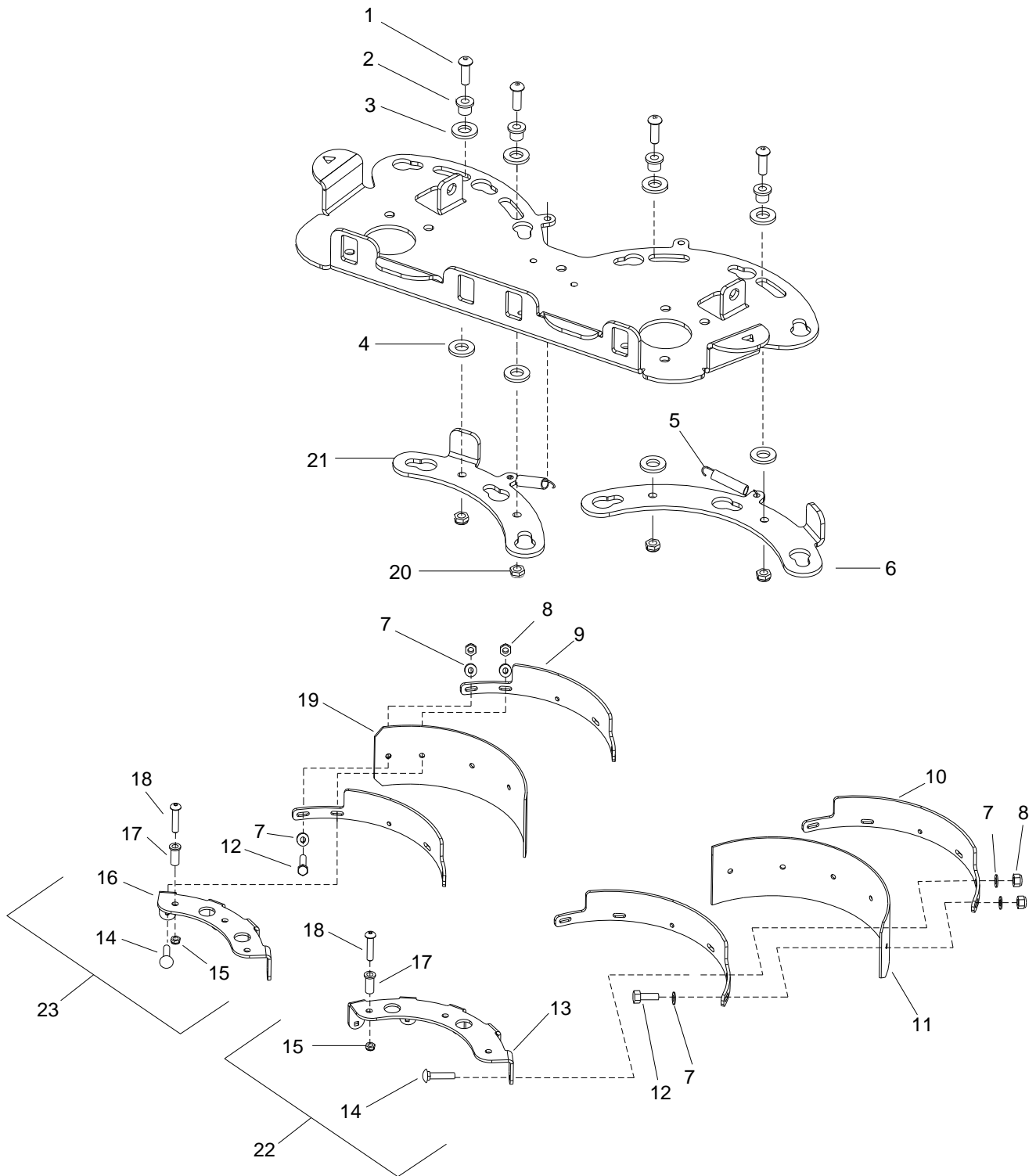
REF	PART NO.	QTY	DESCRIPTION	SERIAL NO. FROM	NOTES:
1	86000290	2	PAD DRIVER, 16" SD		
2A	86000300	2	BRUSH, 16" POLYPROPYLENE SD		
2B	86000310	2	BRUSH, 16" NYLON SD		
2C	86000320	2	BRUSH, 16" NYLON POLISH SD		
2D	86000330	2	BRUSH, 16" MILD GRIT SD		
2E	86000340	2	BRUSH, 16" SUPER AGG SD		
3	86005070	1	LOCK, PAD CENTER SNAP, TWO STEP		
4	86276590	3	SCR, 12-24 X 1.0 PPHMS SS		
5	86276580	4	SCR, 8-32 X 3/4 PTHMS		
6	86276600	3	SCR, 10-32 X 3/4 PTHMS		
7	86007910	1	SPRING, EXT .31 D X 2.0 L X .03 W SS		
8	86007280	1	SOCKET, DRIVE BRUSH		
9	86005940	1	PLATE, BRUSH RELEASE		

Scrub Deck Aqua-Mizer 26IN - Scrubhead



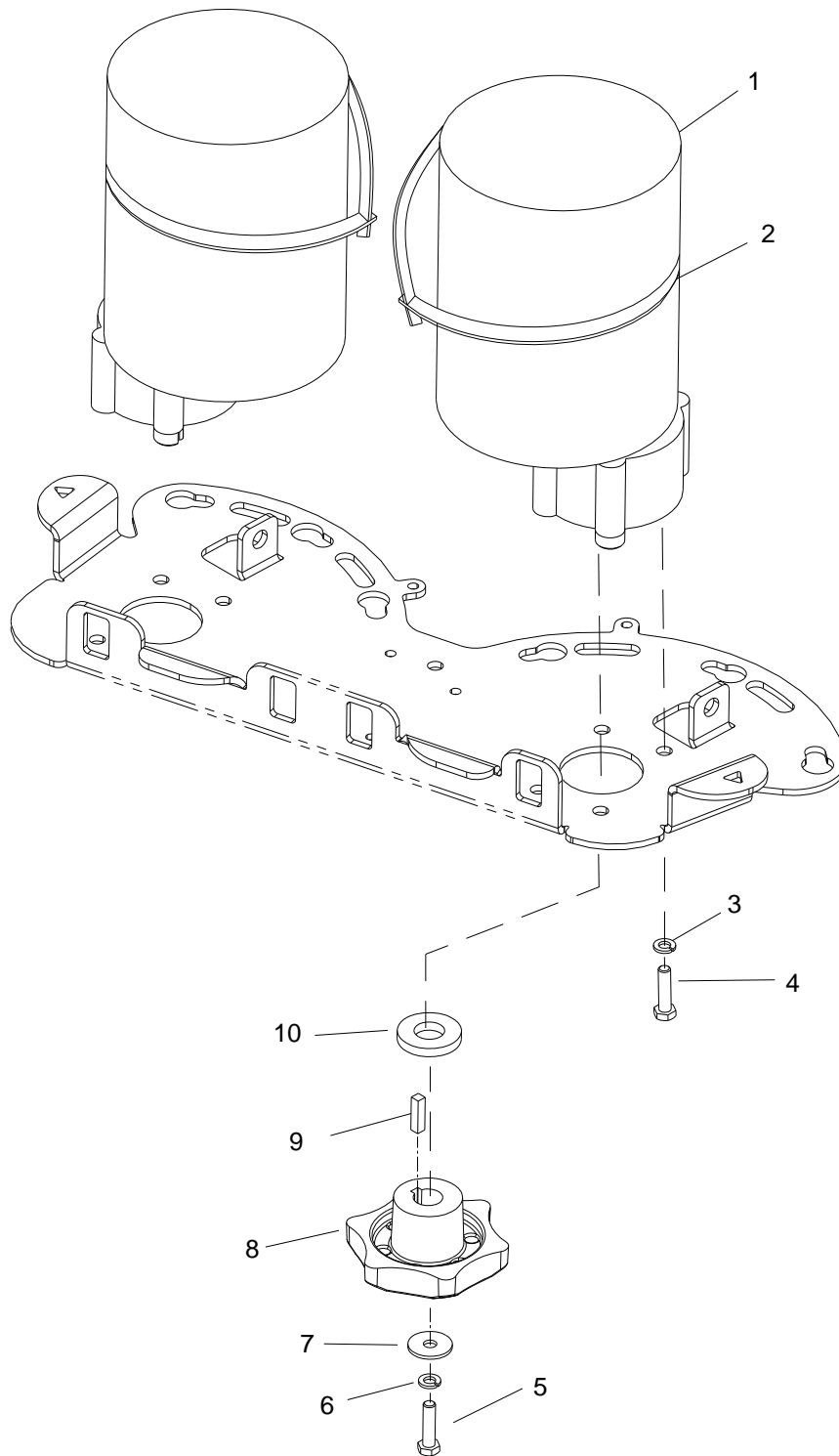
REF	PART NO.	QTY	DESCRIPTION	SERIAL NO. FROM	NOTES:
1	86006930	4	SCR, 5/16-18 X 1.00 BSHCS SS		
2	86228840	4	BEARING, FLANGED .314 ID X .502 OD		
3	86259420	4	WASHER, THRUST .51 ID X 1 OD BRO		
4	86259400	4	WASHER, THRUST .51 ID X 1 OD BRO		
5	86255060	2	SPRING, EXT. .43D X 2.50L X .047W		
6	86082370	1	PLATE, AQ LOCK 3 13 IN		
7	86010630	13	WASHER, 1/4 ID C 5/8 OD SS		
8	86271870	11	NUT, 1/4-20 HEX NYLOCK THIN SS		
9	86255990	2	STRAP, AQ, BACK,R 16 INCH		
10	86256000	2	STRAP, AQ, BACK, L 13 IN		
11A	86001410	1	BLADE, 13 LEFT		
11B	86135150	1	BLADE, 13 IN LT URETHANE		
12	86276960	9	SCR, 1/4-20 X 1 CARRIAGE SS		
13	86249530	1	PLATE, AQ ATTACH L 13 IN		
14	86273810	2	SCREW, 1/4-20 X 1 HHCS SS		
15	86005630	6	NUT, 3/8-16 HEX NYLOCK THIN SS		
16	86249540	1	PLATE, AQ, ATTACH R 13 IN		
17	86228910	6	BEARING, FLANGED .377 ID C .502 OD		
18	86276860	6	SCR, 3/8-16 X 1.75 BSHCS SS		
19A	86001400	1	BLADE, 13 IN RIGHT		
19B	86135140	1	BLADE, 13IN RT URETHANE		
20	86271840	4	NUT, 5/16-18 HEX NYLOCK THIN SS		
21	86082380	1	PLATE, AQ LOCK R 13 IN		
22	86024970	-	AQUA-MIZER 26" SCRUBHEAD LEFT		
23	86024980	-	AQUA-MIZER 26" SCRUBHEAD RIGHT		

Scrub Deck Aqua-Mizer - 32 IN Scrubhead



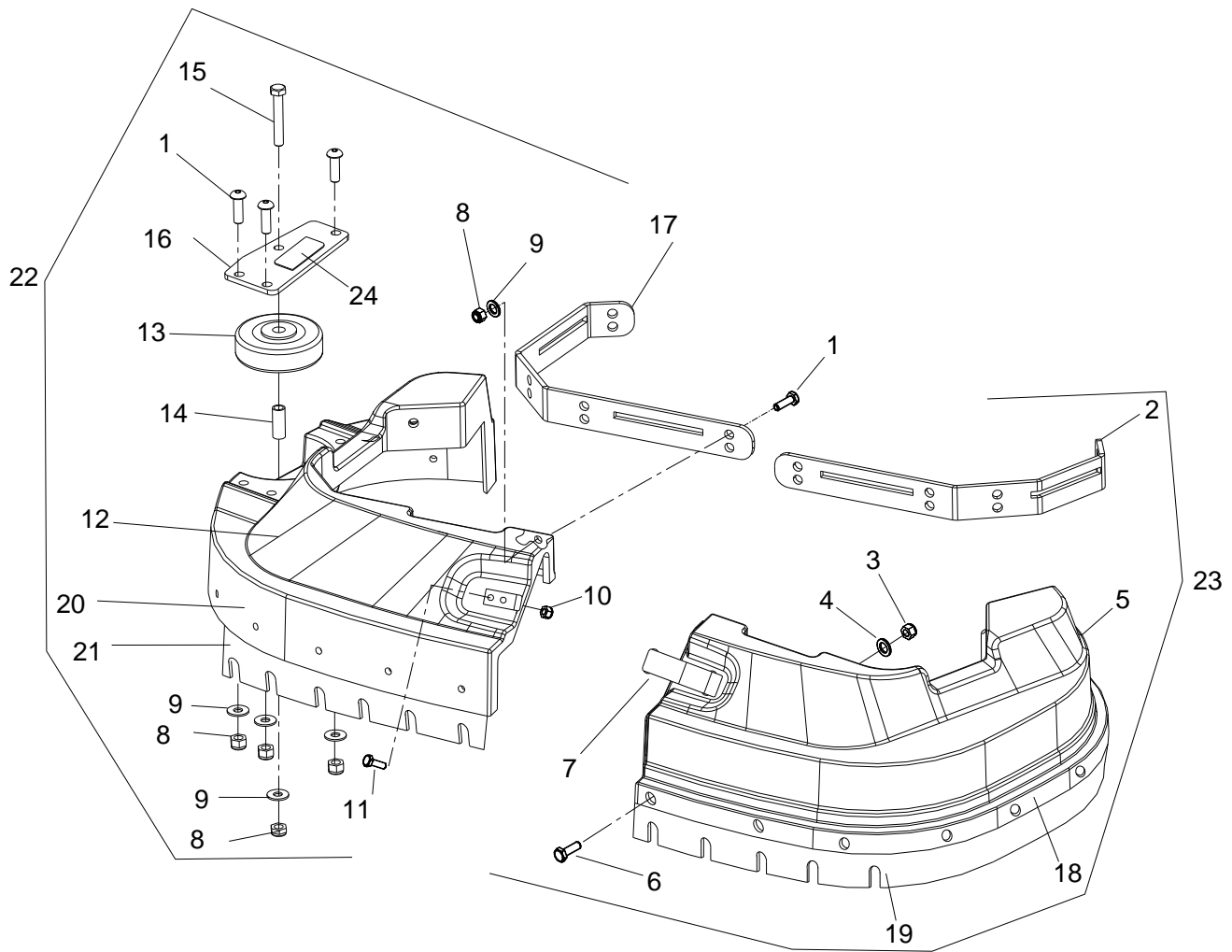
Scrub Deck Aqua-Mizer - 32 IN Scrubhead

REF	PART NO.	QTY	DESCRIPTION	SERIAL NO. FROM	NOTES:
1	86006930	4	SCR, 5/16-18 X 1.00 BSHCS SS		
2	86228840	4	BEARING, FLANGED .314 ID X .502 OD		
3	86259420	4	WASHER, THRUST .51 ID X 1 OD BRO		
4	86259400	4	WASHER, THRUST .51 ID X 1 OD BRO		
5	86255060	2	SPRING, EXT. .43D X 2.50L X .047W		
6	86249590	1	PLATE, AQ LOCK LEFT 16 IN		
7	86010630	13	WASHER, 1/4 ID C 5/8 OD SS		
8	86271870	11	NUT, 1/4-20 HEX NYLOCK THIN SS		
9	86256020	2	STRAP, AQ, BACK,R 16 INCH		
10	86256010	2	STRAP, AQ, BACK, L 16 INCH		
11A	86001430	1	BLADE, AQ LEFT 16 INCH		
11B	86135160	1	BLADE, AQ LT 16 INCH URETHANE		
12	86273810	2	SCREW, 1/4-20 X 1 HHCS SS		
13	86082870	1	PLATE, AQ ATTACH L, 16"		
14	86276960	9	SCR, 1/4-20 X 1 CARRIAGE SS		
15	86005630	6	NUT, 3/8-16 HEX NYLOCK THIN SS		
16	86082880	1	PLATE, AQ, ATTACH R 16 IN		
17	86228910	6	BEARING, FLANGED .377 ID C .502 OD		
18	86276860	6	SCR, 3/8-16 X 1.75 BSHCS SS		
19A	86001420	1	BLADE, AQ RIGHT 16 INCH		
19B	86135170	1	BLADE, AQ RT 16 INCH URETHANE		
20	86271840	4	NUT, 5/16-18 HEX NYLOCK THIN SS		
21	86249600	1	PLATE, AQ LOCK RIGHT 16 IN		
22	86024960	-	AQUA-MIZER 32" SCRUBHEAD LEFT		
23	86004700	-	AQUA-MIZER 32" SCRUBHEAD RIGHT		



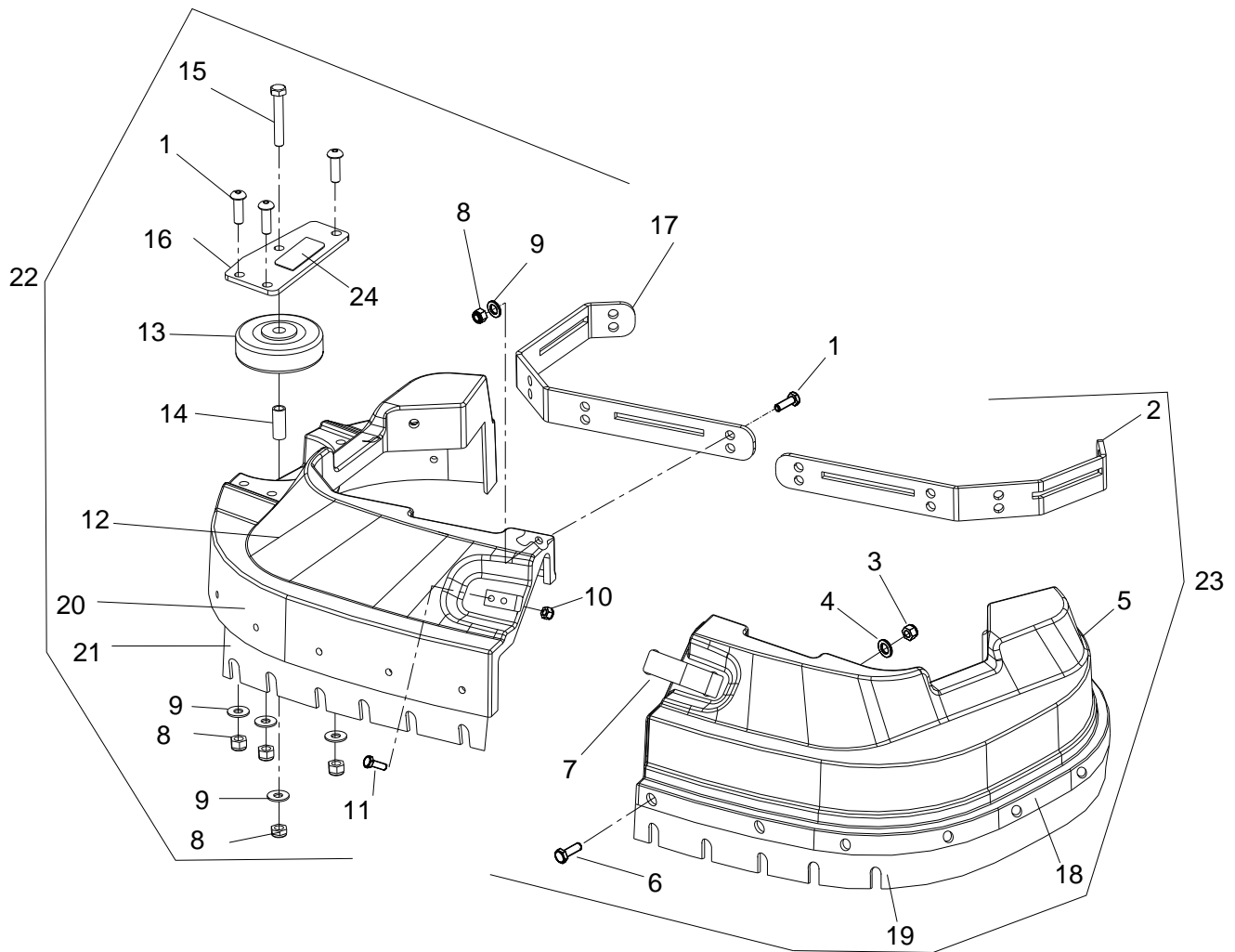
REF	PART NO.	QTY	DESCRIPTION	SERIAL NO. FROM	NOTES:
1	86005320	2	MOTOR ASM, 24VDC 200RPM GEAR		
1A	86001360	-	BRUSH SET, 53630 ASI		NOT SHOWN
2	86002830	2	CABLE TIE, .375 X 24.7		
3	86010790	8	WASHER, 3/8 SPLIT LOCK PLTD		
4	86276970	8	SCR, 3/8-16 X 3/4 HHCS SS		
5	86007020	2	SCR, 5/16-18 X 1.25 HHCS SS		
6	86279130	2	WASHER, 5/16 SPLIT LOCK PLTD		
7	86279630	2	WASHER, .344ID X 1.13OD X .09T PLTD		
8	86003420	2	DRIVER, BRUSH SD		
9	86004810	2	KEY, 1/4 SQ. X 1.00		SUPPLIED W/ MTR
10	86279640	2	WASHER, .78ID X 1.63OD X .25T PLTD		

Scrub Deck Skirt - 26 IN Scrubhead



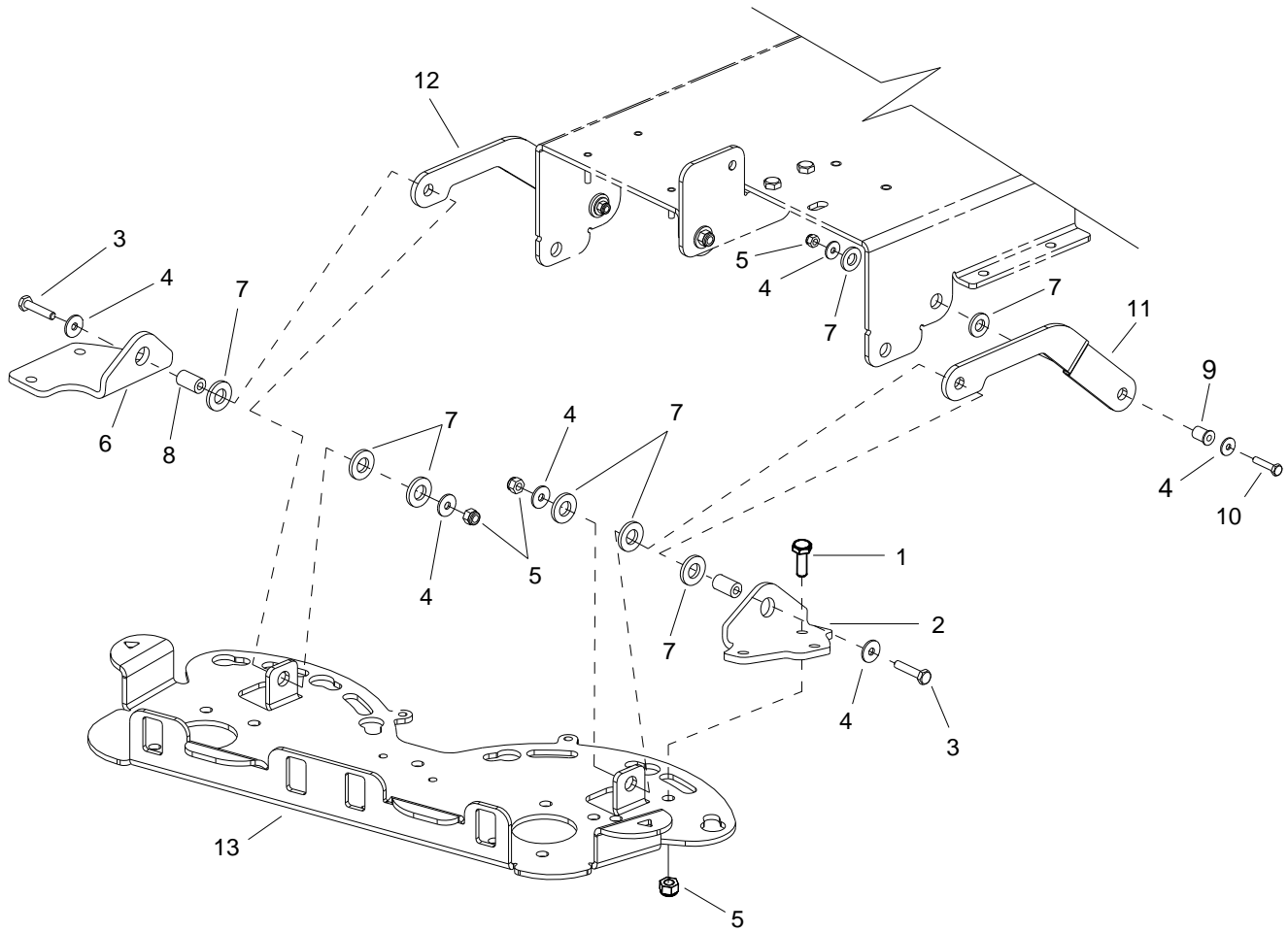
REF	PART NO.	QTY	DESCRIPTION	SERIAL NO. FROM	NOTES:
1	86290040	10	SCR, 5/16-18 X 3/4 BSHCS SS		
2	86069650	1	BRACKET, SHROUD LEFT		
3	86271900	19	NUT, 10-24 HEX NYLOCK THIN SS		
4	86010650	19	WASHER, #10 X 9/16 ODS		
5	86062940	1	SHROUD, SCRUBDECK LEFT		
6	86277110	19	SCR, 10-24 X 3/4 PPHMS SS		
7	86161800	1	LATCH & CONCEALED KEEPER		
8	86271840	12	NUT, 5/16-18 HEX NYLOCK THIN SS		
9	86010670	11	WASHER, 5/16 FLAT SS		
10	86270920	4	NUT, 6-32 HEX NYLOCK SS		
11	86273950	4	SCR, 6-32 X 1/2 PPHMS SS		
12	86062950	1	SHROUD, SCRUBDECK RIGHT		
13	86011020	1	WHEEL, 3" DIA CUSHION RUBBER		
14	86001350	1	BUSHING, SPANNER, .435 X 1.10		
15	86277150	1	SCR, 5/16-18 X 2 BSHCS SS		
16	86082950	1	PLATE, BUMPER WHEEL ATTACH		
17	86069640	1	BRKT, SHROUD RIGHT		
18	86066380	1	BAND, SHROUD SKIRT LEFT		
19	86007440	1	SKIRT, 26INCH LEFT		
20	86066390	1	BAND, SHROUD SKIRT RIGHT		
21	86007450	1	SKIRT, 26INCH RIGHT		
22	86004730	1	SHROUD ASM, 26" RIGHT SCRUBHEAD		
23	86004740	1	SHROUD ASM, 26" LEFT SCRUBHEAD		
24	86244100	1	LABEL, AQUA-MIZER		

Scrub Deck Skirt - 32 IN Scrubhead



REF	PART NO.	QTY	DESCRIPTION	SERIAL NO. FROM	NOTES:
1	86290040	10	SCR, 5/16-18 X 3/4 BSHCS SS		
2	86070050	1	BRACKET, SHROUD RETAINER LEFT		
3	86271900	23	NUT, 10-24 HEX NYLOCK THIN SS		
4	86010650	23	WASHER, #10 X 9/16 OD		
5	86062960	1	SHROUD, SCRUBDECK LEFT		
6	86277110	23	SCR, 10-24 X 3/4 PPHMS SS		
7	86161800	1	LATCH & CONCEALED KEEPER		
8	86271840	10	NUT, 5/16-18 HEX NYLOCK THIN SS		
9	86292500	11	WASHER, 5/16 ID X 9/16 OD SS		
10	86270920	4	NUT, 6-32 HEX NYLOCK SS		
11	86273950	4	SCR, 6-32 X 1/2 PPHMS SS		
12	86062970	1	SHROUD, SCRUBDECK RIGHT		
13	86011020	1	WHEEL, 3" DIA CUSHION RUBBER		
14	86001350	1	BUSHING, SPANNER, .435 X 1.10		
15	86277150	1	SCR, 5/16-18 X 2 BSHCS SS		
16	86082950	1	PLATE, BUMPER WHEEL ATTACH		
17	86070040	1	BRKT, SHROUD RETAINER RIGHT		
18	86066410	1	BAND, SKIRT LEFT 32 INCH		
19	86007530	1	SKIRT, 32 INCH LEFT		
20	86066400	1	BAND, SKIRT RIGHT 32 INCH		
21	86007540	1	SKIRT, 32 INCH RIGHT		
22	86004710	1	SHROUD ASM, 32" RIGHT SCRUBHEAD		
23	86004720	1	SHROUD ASM, 32" LEFT SCRUBHEAD		
24	86244100	1	LABEL, AQUA-MIZER		

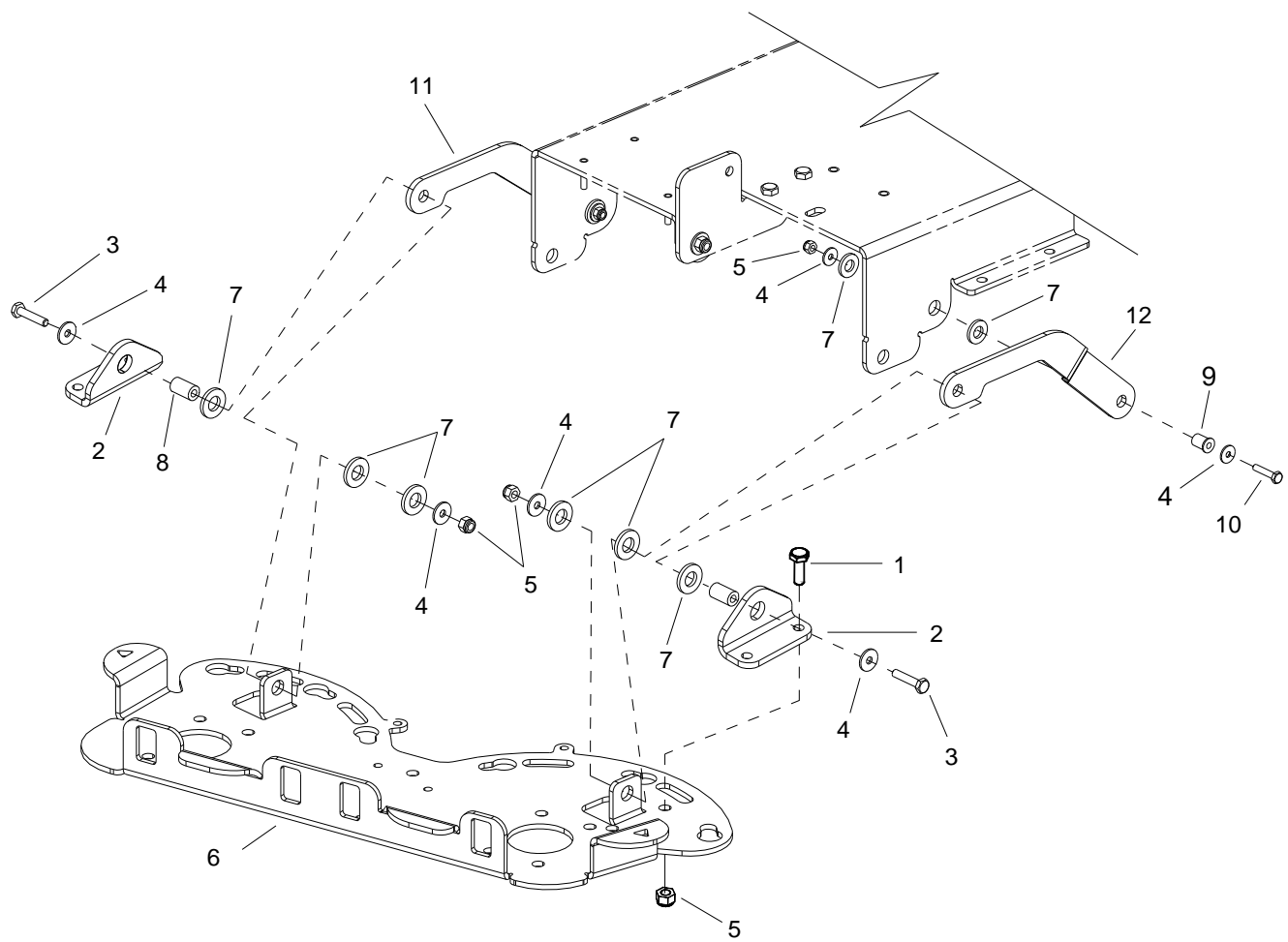
Scrub Deck Lift Linkage - 26 IN Scrubdeck



Scrub Deck Lift Linkage - 26 IN Scrubdeck

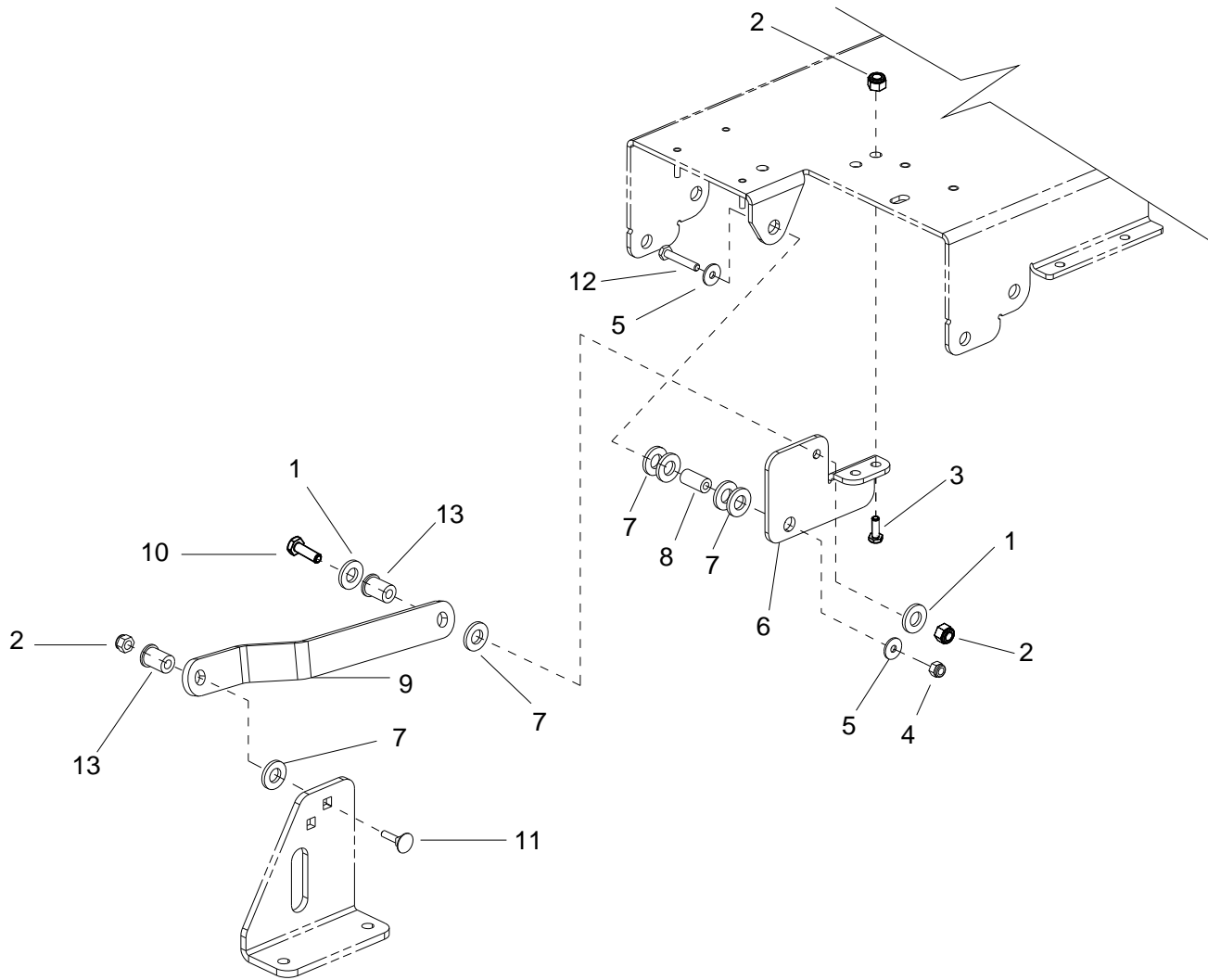
REF	PART NO.	QTY	DESCRIPTION	SERIAL NO. FROM	NOTES:
1	86273780	6	SCR, 1/4-20 X 3/4 HHCS SS NP		
2	86066760	1	BRACKET, ANGLE SUPPORT LEFT		
3	86273740	2	SCR, 1/4-20 X 1.5 HHCS SS		
4	86010630	8	WASHER, 1/4ID X 5/8OD SS		
5	86271870	10	NUT, 1/4-20 HEX NYLOCK THIN SS		
6	86069920	1	BRACKET, ANGLE SUPPORT RIGHT		
7	86259400	10	WASHER, THRUST .51ID X 1OD BRO		
8	86228920	2	BEARING, .252ID X .503OD X 1.0		
9	86228900	2	BEARING FLANGED , .252ID X .503OD		
10	86273820	2	SCR, 1/4-20 X 1.25 HHCS		
11	86066770	1	BAR LINK LEFT		
12	86066720	1	BAR LINK, RIGHT		
13	86236650	1	FRAME, W24V SCRUB DECK		

Scrub Deck Lift Linkage - 32 IN Scrubdeck

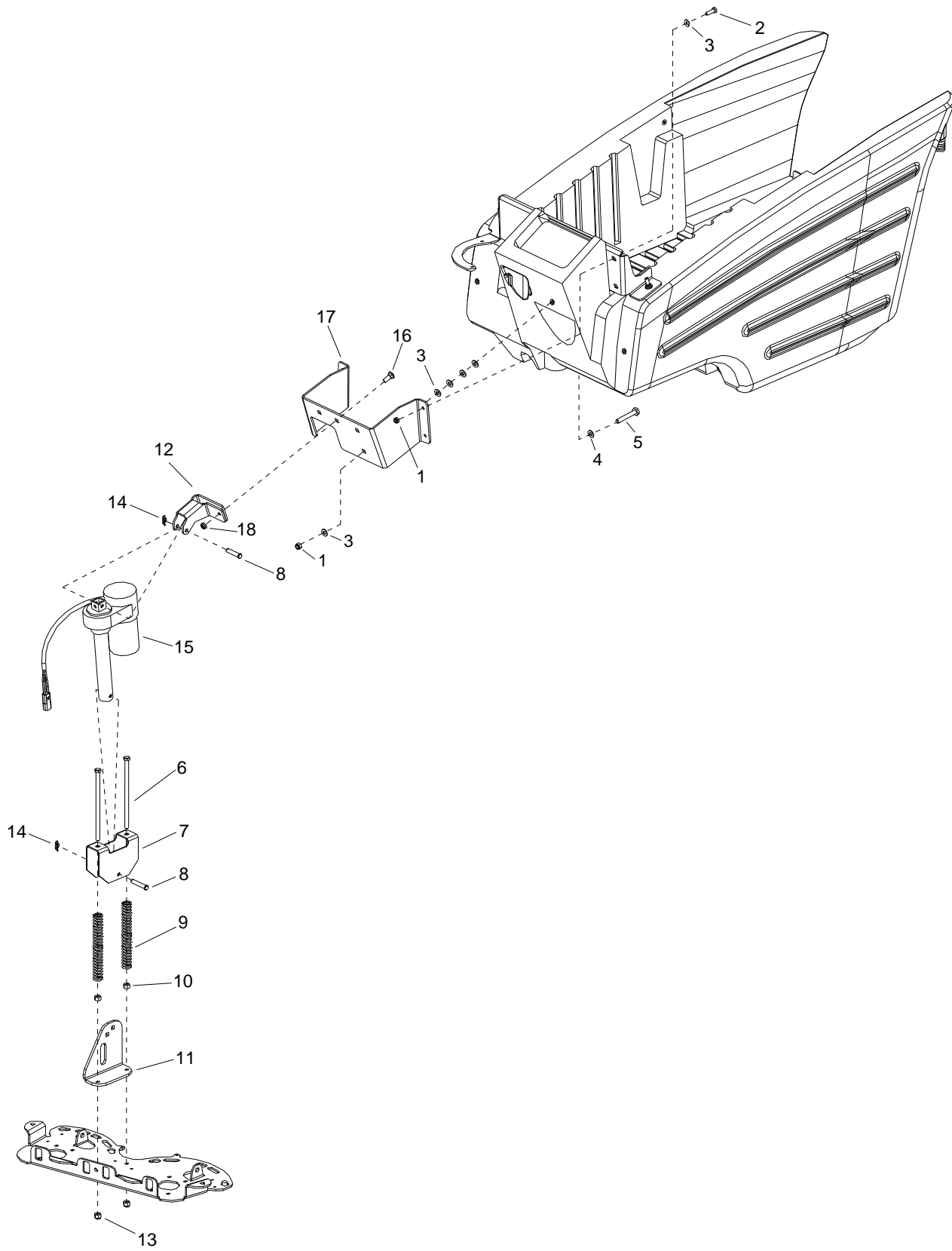


Scrub Deck Lift Linkage - 32 IN Scrubdeck

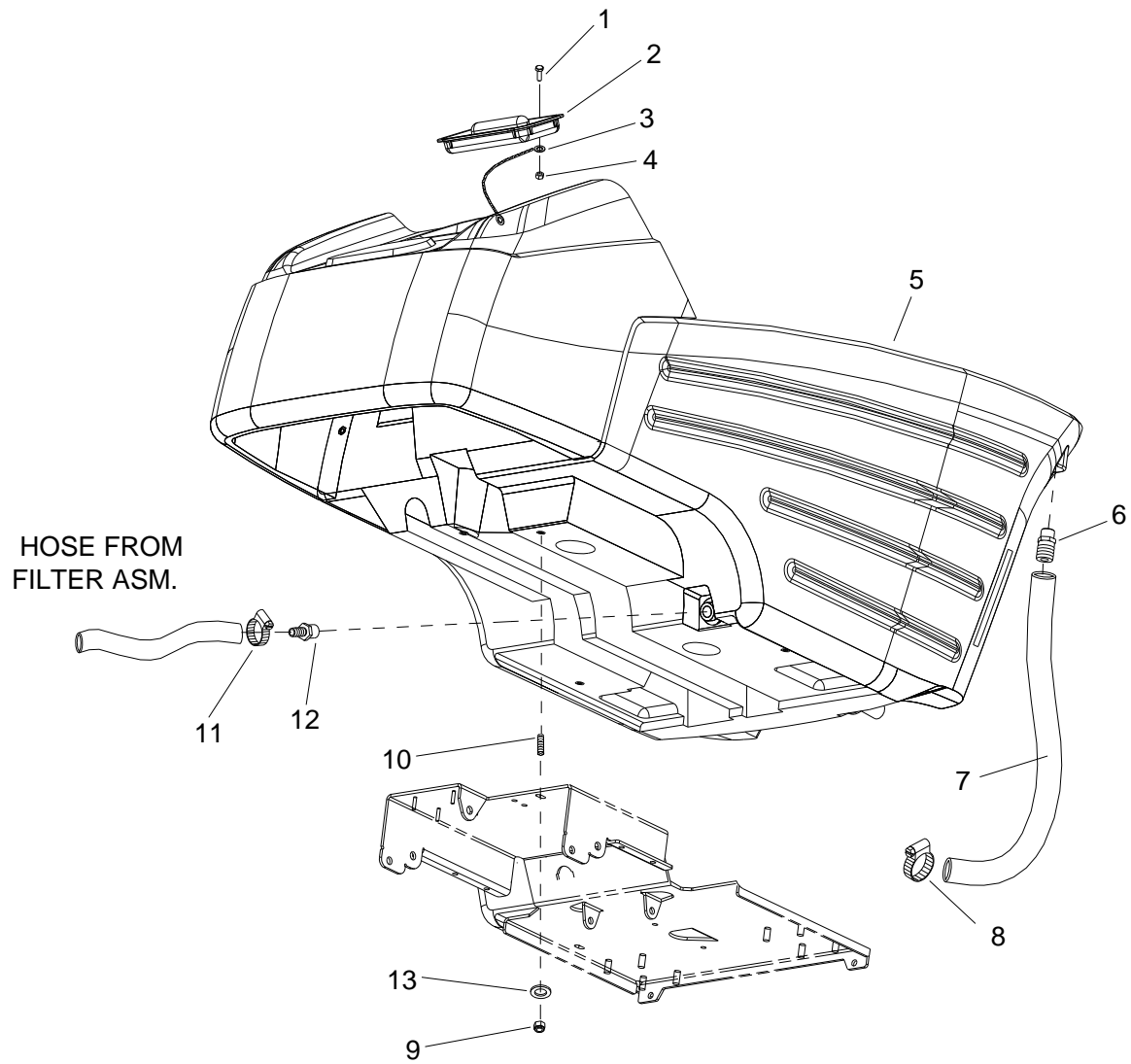
REF	PART NO.	QTY	DESCRIPTION	SERIAL NO. FROM	NOTES:
1	86273780	4	SCR, 1/4-20 X 3/4 HHCS SS NP		
2	86070030	2	BRACKET, ANGLE SUPPORT		
3	86273740	2	SCR, 1/4-20 X 1.5 HHCS SS		
4	86010630	8	WASHER, 1/4ID X 5/8OD SS		
5	86271870	8	NUT, 1/4-20 HEX NYLOCK THIN SS		
6	86236670	1	FRAME, SCRUB DECK		
7	86259400	10	WASHER, THRUST .51ID X 1OD BRO		
8	86228920	2	BEARING, .252ID X .503OD X 1.0		
9	86228900	2	BEARING FLANGED .252ID X .503OD		
10	86273820	2	SCR, 1/4-20 X 1.25 HHCS		
11	86066810	1	BAR, LINKAGE, LEFT		
12	86066870	1	BAR LINK, RIGHT		



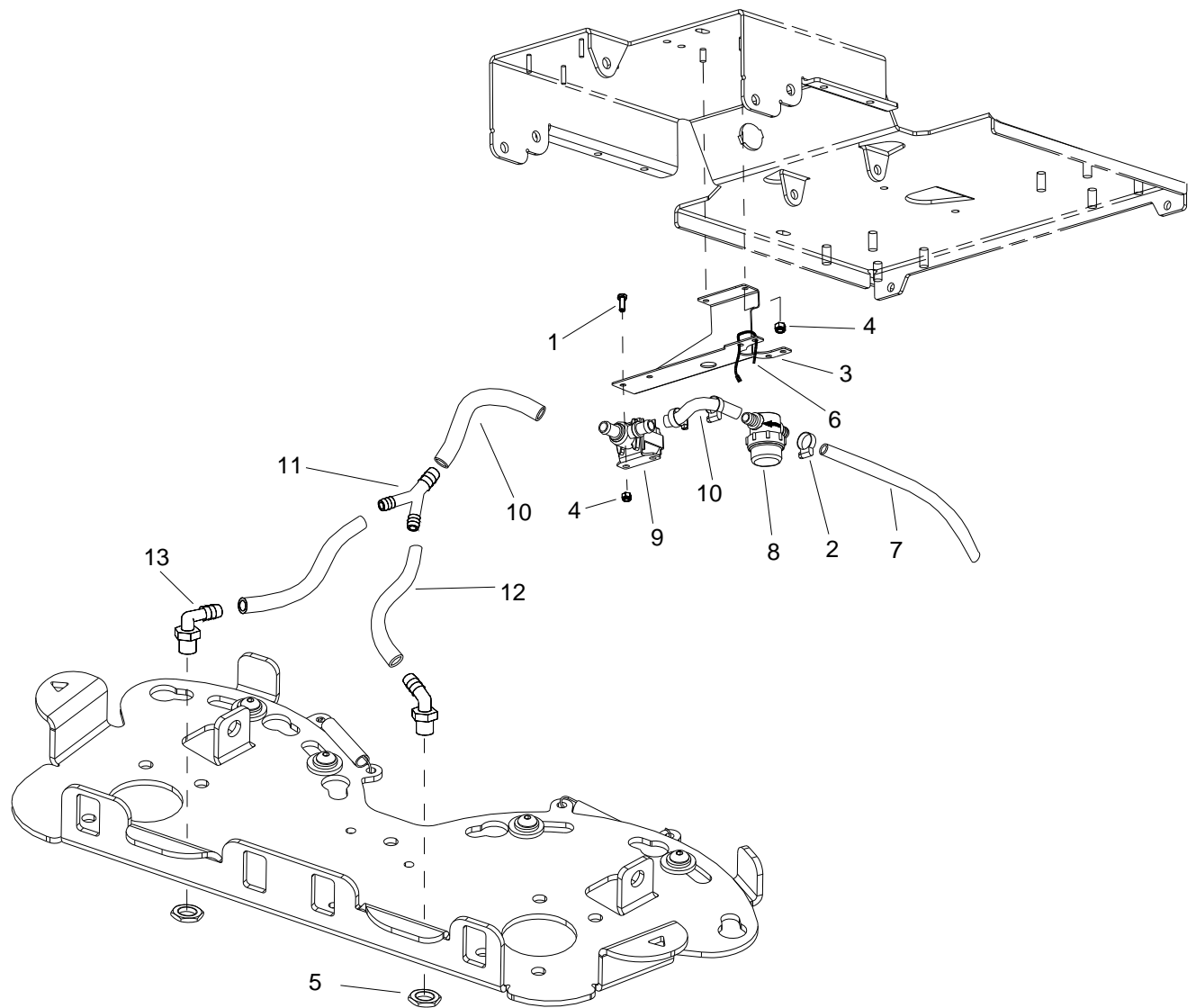
REF	PART NO.	QTY	DESCRIPTION	SERIAL NO. FROM	NOTES:
1	86010670	2	WASHER, 5/16 FLAT SS		
2	86271840	4	NUT, 5/16-18 HEX NYLOCK THIN SS		
3	86276780	2	SCR, 5/16-18 X 3/4 HHCS SS		
4	86271870	3	NUT, 1/4-20 HEX NYLOCK THIN SS		
5	86010630	6	WASHER, 1/4ID X 5/8OD SS		
6	86069750	1	BRACKET, FRAME MOUNT		
7	86259400	10	WASHER, THRUST .51ID X 1OD BRO		
8	86228920	1	BEARING, .252ID X .503OD X 1.0		
9	86069760	1	BRACKET, CENTER LINK		
10	86007020	1	SCR, 5/16-18 X 1.25 HHCS SS		
11	86197150	1	SCR, 5/16 X 1.25 ELEV FLDG SA		
12	86273740	1	SCR, 1/4-20 X 1.5 HHCS SS		
13	86228840	2	BEARING, FLANGED .314ID X .502OD		



REF	PART NO.	QTY	DESCRIPTION	SERIAL NO. FROM	NOTES:
1	86271840	5	5/16-18 HEX NYLOCK THIN SS		
2	86006560	4	SCR, 5/16-18 X 1 HHCS SS		
3	86010670	9	WASHER, 5/16 FLAT SS		
4	86279650	1	WASHER, SEAL 5/16 X 3/4 OD SS		
5	86032890	1	SCR, 5/16-18 X 1.50 HHCS SS		
6	86277010	2	SCR, 3/8-16 X 7 HHCS SS		
7	86068130	1	BRACKET, ACTUATOR TUBE		
8	86248970	1	PIN, CLEVIS 3/8 X 2		
9	86254910	2	SPRING, COMP .89OD X 6.13L		
10	86005730	2	NUT, 3/8-16 HEX		
11	86069770	1	BRACKET, DECK MOUNT		
12	86068170	1	BRACKET, ACTUATOR MOUNT		
13	86005630	7	NUT, 3/8-16 HEX NYLOCK THIN SS		
14	86008670	2	COTTER, 3/8" RING		
15	86011960	1	ACTUATOR, 24VDC 5.0 STRK		
16	86277280	2	SCR, 3/8-16 X 1.00 CARRIAGE SS		
17	86068160	1	BRACKET, TANK BRACE		
18	86005630	2	NUT, 3/8-16 HEX NYLOCK THIN SS		

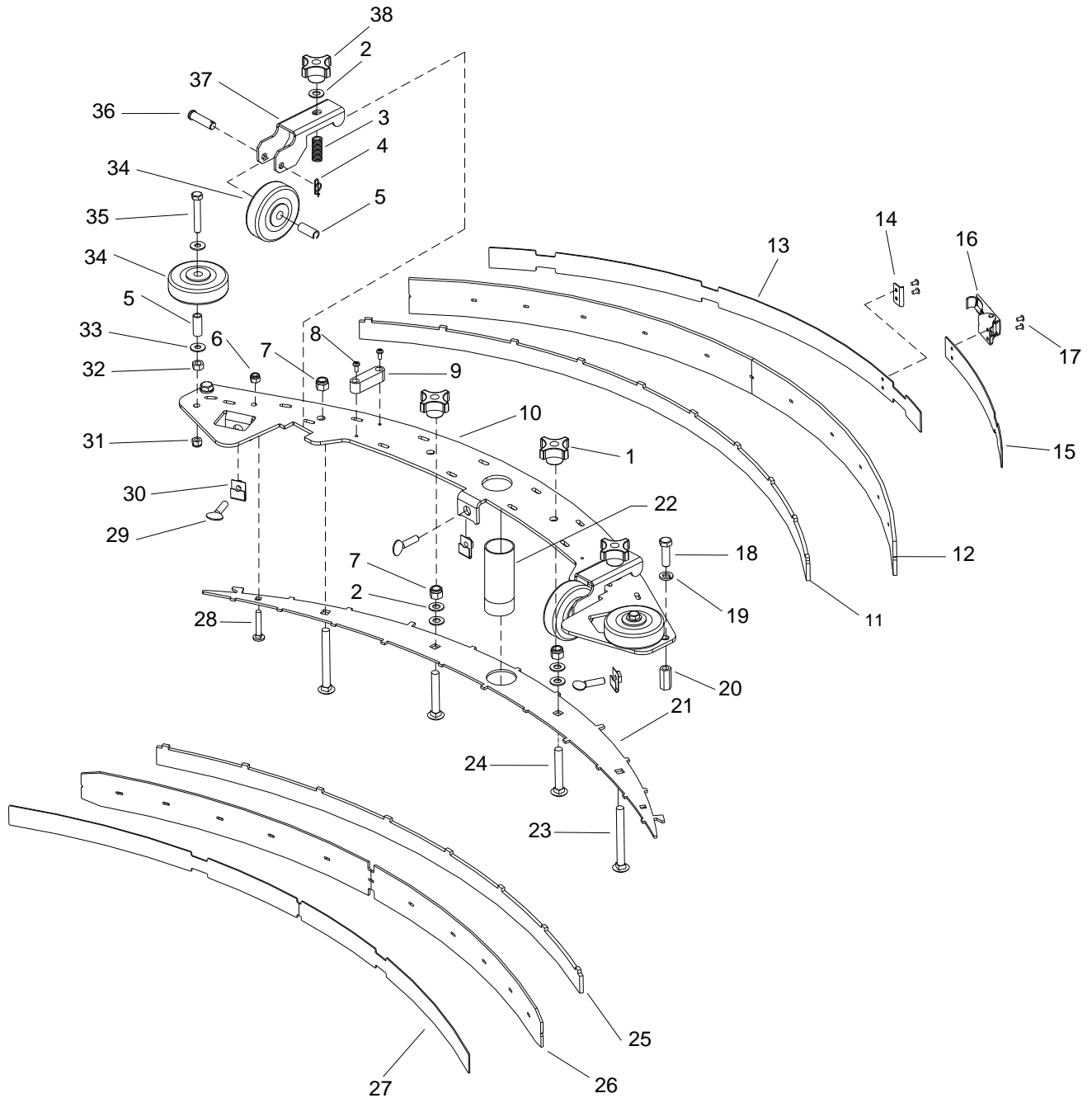


REF	PART NO.	QTY	DESCRIPTION	SERIAL NO. FROM	NOTES:
1	86273950	1	SCR, 6-32 X 1/2 PPHMS		
2	86234790	1	COVER, SOLUTION TANK		
3	86246080	1	LANYARD, 18.0 W/ LOOP & EYE		
4	86014810	1	NUT, 6-32 ACORN SS		
5	86393010	1	TANK, SOLUTION, HD 24V, BLK		
6	86240460	1	HOSEBARB, 1/2 MPT X 1		
7	86282050	1	HOSE, 1.0ID 1/8W X 26 CLR		
8	86233110	1	CLAMP, 1.0" WORM GEAR		
9	86271840	4	NUT, 5/16-18 HEX NYLOCK THIN SS		
10	86276380	4	SCR, 5/16-18 X 1.25 SSSCU		
11	86233150	1	CLAMP, 3/8 HOSE (D-SLOT)		
12	86197910	1	HOSEBARB, 1/2 MPT X 1/2 POLY DL		
13	86010670	4	WASHER, 5/19 FLAT SS		



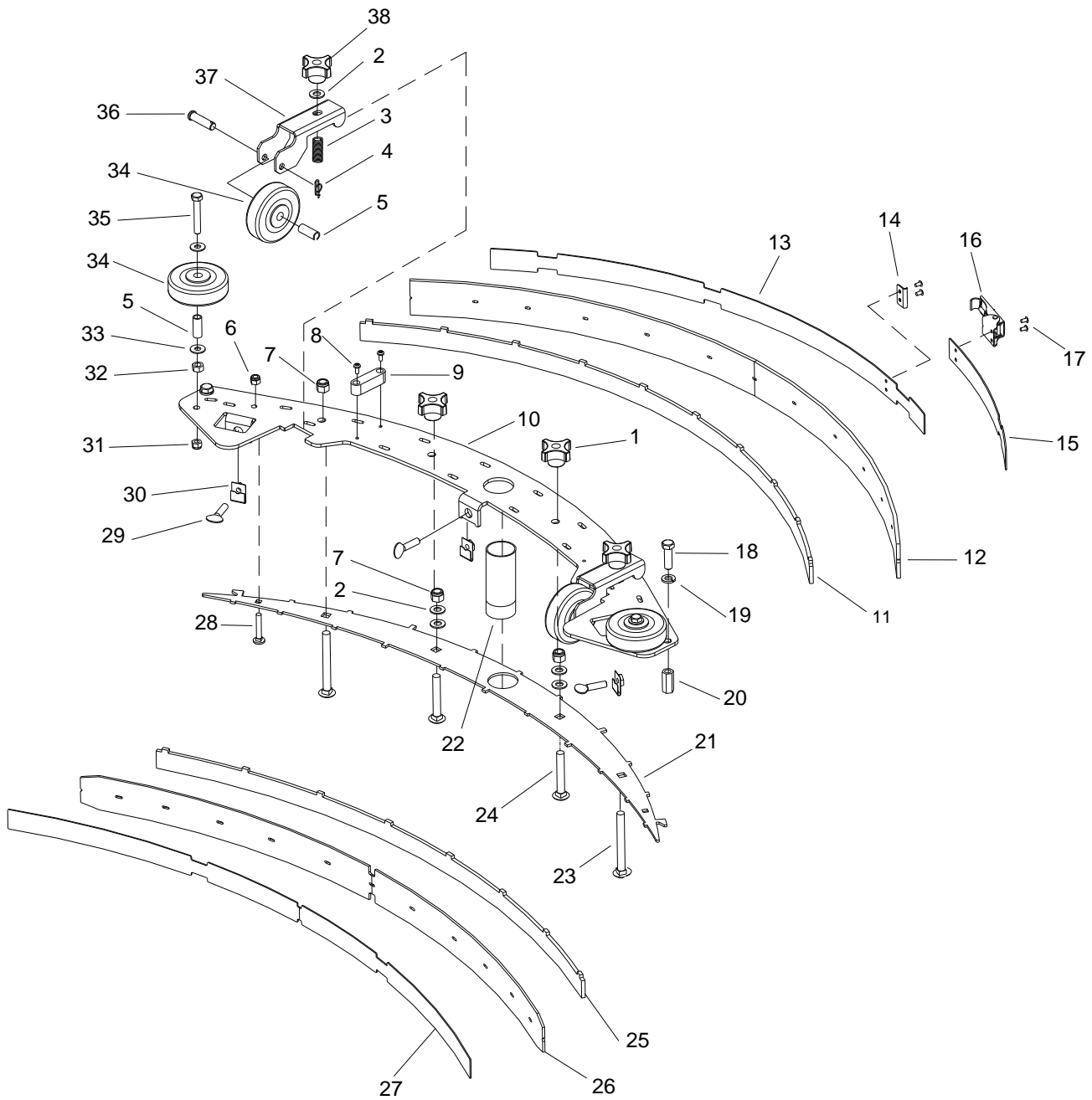
REF	PART NO.	QTY	DESCRIPTION	SERIAL NO. FROM	NOTES:
1	86273750	2	SCR, 1/4-20 X 5/8 HHCS SS NP		
2	86233150	3	CLAMP, 3/8 HOSE (D-SLOT)		
3	86069790	1	BRACKET, FILTER/SOLUTION MOUNT		
4	86271870	4	NUT, 1/4-20 HEX NYLOCK THIN SS		
5	86271830	2	NUT, 3/8 NPT PLASTIC		
6	86264940	4	CABLE TIE, 11.38" UL/CSA		
7	86282190	1	HOSE, 1/2" WIRE BOUND X 13"		
8	86007560	1	STRAINER, 1/2 HOSE 20 MESH		
-	86005870	1	O-RING, FILTER SEAL RON-VIK		
-	86007750	1	SCREEN, 20 MESH STRAINER		
-	86313160	-	CAP, STRAINER SHORT		
9	86010540	1	VALVE, 24VDC SOL 1/2" HOSEBARB		
-	86003460	-	DIAPHRAGM SRVC PART SLND		SERVICE ONLY
-	86136820	-	SOLENOID SPRING KIT		SERVICE ONLY
10	86281100	2	HOSE, 1/2 WIRE BOUND X 8"		
11	86003580	1	FITTING, 1/2" X 3/8" RED T		
12	86280820	2	HOSE, 3/8 NYLOBRIAD X 10"		
13	86001550	2	HOSEBARB, 3/8 MPT X 3/8 90 D		

Squeegee - 26 IN Scrubhead



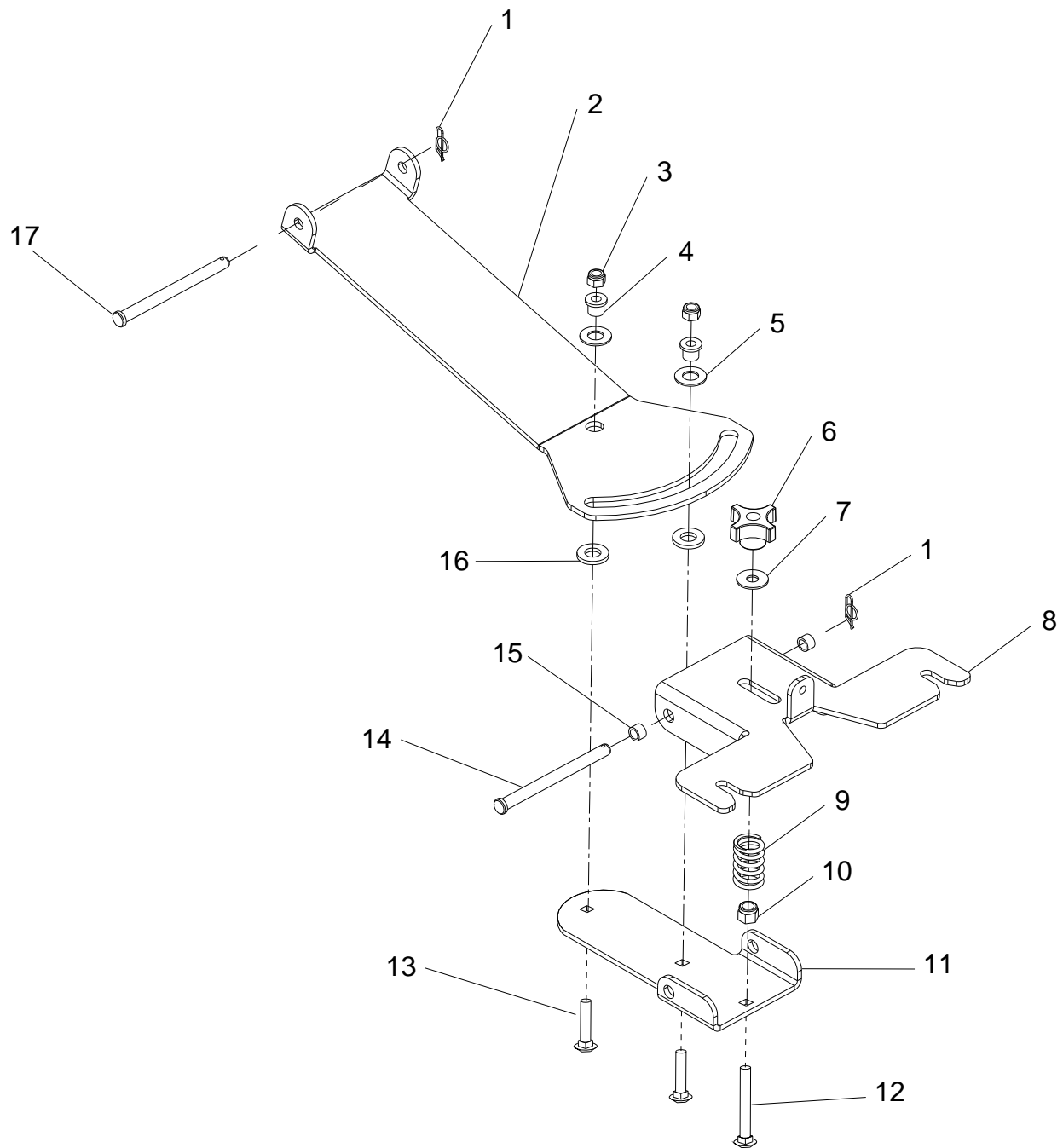
REF	PART NO.	QTY	DESCRIPTION	SERIAL NO. FROM	NOTES:
1	86009200	4	KNOB, 3/8-16 4 PRONG		
2	86010680	4	WASHER, 3/8 X 3/4 NYLON		
3	86007780	2	SPRING, COMP .60D X 2.0L X .045W		
4	86008660	2	COTTER, 5/16 RING		
5	86001350	4	BUSHING, SPANNER .435 X 1.10		
6	86271870	2	NUT, 1/4-20 HEX NYLOCK THIN SS		
7	86005630	4	NUT, 3/8-16 HEX NYLOCK THIN SS		
8	86274130	2	SCR, 8-32 X 3/8 PHTC 'F' PLTD		
9	86009910	1	VIAL, LEVEL		
10	86082420	1	PLATE, SQUEEGEE TOP 35"		
11	86082440	1	PLATE, REAR SQUEEGEE 35"		
12A	86007430	1	SQUEEGEE, REAR BLADE LINATEX		
12B	86137020	1	SQUEEGEE, REAR BLADE URETHANE		
13	86001340	1	BAND, REAR SQUEEGEE		
14	86009180	1	STRIKER, SQUEEGEE STRAP REAR		
15	86001330	1	BAND, REAR SQUEEGEE		
16	86009170	1	LATCH, SQUEEGEE STRAP		
17	86006400	4	RIVET, 5/32OD X 1/8 GRIP		
18	86276920	2	SCR, 3/8-16 X 1 HHCS SS NP		
19	86010790	2	WASHER, 3/8 SPLIT		
20	86005840	2	NUT, 3/8-16 HEX COUPLING SS		
21	86082450	1	PLATE, SQUEEGEE BOTTOM 35"		
22	86008390	1	TUBE ASM, SQUEEGEE VAC		
23	86276990	2	SCR, 3/8-16 X 3.5 CARRIAGE SS		
24	86276870	2	SCR, 3/8-16 X 2.5 CARRIAGE SS		
25	86082430	1	PLATE, SQUEEGEE FRONT 35"		
26A	86008020	1	BLADE, SQUEEGEE FRONT LINATEX		
26B	86137030	1	SQUEEGEE, FRONT BLADE URETHANE		
27	86066370	1	STRAP, SQUEEGEE		
28	86277000	2	SCR, 1/4-20 X 1.75 CARRIAGE SS		
29	86007040	3	SCR, 5/16-18 X 1 THUMB SS TYPE P		
30	86271820	3	NUT, 5/16-18 CAPTIVE "J" PLTD		
31	86271840	2	NUT, 5/16-18 HEX NYLOCK THIN SS		
32	86005650	2	NUT, 5/16-18 HEX		
33	86010670	4	WASHER, 5/16 X 3/4 SS		
34	86011020	4	WHEEL, 3" DIA. CUSHION RUBBER		
35	86276980	2	SCR, 5/16-18 X 2.00 HHCS SS		
36	86006270	2	PIN, CLEVIS 5/16 X 1.63		
37	86069870	2	BRACKET, SQUEEGEE WHEEL		
38	86004890	2	KNOB, ALUM 3/8-16 NYLOCK NUT SS		
-	86026530	-	SQUEEGEE 26 IN SCRUBHEAD		COMPLETE

Squeegee - 32 IN Scrubhead

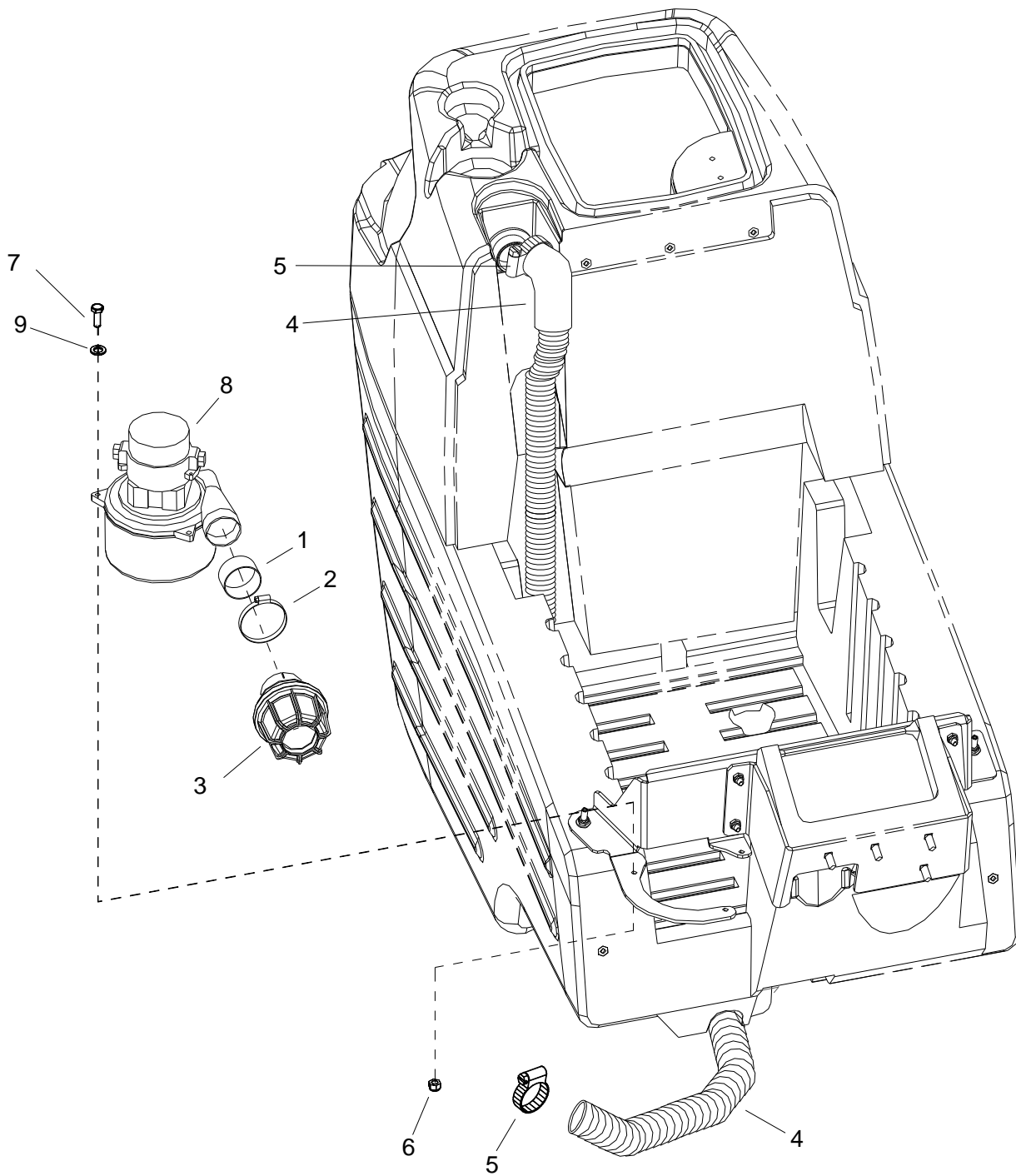


REF	PART NO.	QTY	DESCRIPTION	SERIAL NO. FROM	NOTES:
1	86009200	4	KNOB, 3/8-16 4 PRONG		
2	86010680	6	WASHER, 3/8 X 3/4 NYLON		
3	86007780	2	SPRING, COMP .60D X 2.0L X .045W		
4	86008660	2	COTTER, 5/16 RING		
5	86001350	4	BUSHING, SPANNER .435 X 1.10		
6	86271870	2	NUT, 1/4-20 HEX NYLOCK THIN SS		
7	86005630	4	NUT, 3/8-16 HEX NYLOCK THIN SS		
8	86274130	2	SCR, 8-32 X 3/8 PHTC 'F' PLTD		
9	86009910	1	VIAL, LEVEL		
10	86082460	1	PLATE, SQUEEGEE TOP 40"		
11	86082480	1	PLATE, SQG REAR 40"		
12A	86007490	1	SQUEEGEE, REAR BLADE LINATEX		
12B	86137040	1	SQUEEGEE, REAR BLADE URETHANE		
13	86066360	1	BAND, REAR SQUEEGEE		
14	86009180	1	STRIKER, SQUEEGEE STRAP REAR		
15	86001330	1	BAND, REAR SQUEEGEE		
16	86009170	1	LATCH, SQUEEGEE STRAP		
17	86006400	4	RIVET, 5/32OD X 1/8 GRIP		
18	86276920	2	SCR, 3/8-16 X 1 HHCS SS NP		
19	86010790	2	WASHER, 3/8 SPLIT		
20	86005840	2	NUT, 3/8-16 HEX COUPLING SS		
21	86082490	1	PLATE, SQUEEGEE BOTTOM 40"		
22	86008390	1	TUBE ASM, SQUEEGEE VAC		
23	86276990	2	SCR, 3/8-16 X 3.5 CARRIAGE SS		
24	86276870	2	SCR, 3/8-16 X 2.5 CARRIAGE SS		
25	86082470	1	PLATE, SQUEEGEE FRONT 40" SPACER		
26A	86009830	1	BLADE, SQUEEGEE FRONT LINATEX		
26B	86137050	1	SQUEEGEE, FRONT BLADE URETHANE		
27	86066350	1	STRAP, SQUEEGEE		
28	86277000	2	SCR, 1/4-20 X 1.75 CARRIAGE SS		
29	86007040	3	SCR, 5/16-18 X 1 THUMB SS TYPE P		
30	86271820	3	NUT, 5/16-18 CAPTIVE "J" PLTD		
31	86271840	2	NUT, 5/16-18 HEX NYLOCK THIN SS		
32	86005650	2	NUT, 5/16-18 HEX		
33	86010670	4	WASHER, 5/16 X 3/4 SS		
34	86011020	4	WHEEL, 3" DIA. CUSHION RUBBER		
35	86276980	2	SCR, 5/16-18 X 2.00 HHCS SS		
36	86006270	2	PIN, CLEVIS 5/16 X 1.63		
37	86069870	2	BRACKET, SQUEEGEE WHEEL		
38	86004890	2	KNOB, ALUM 3/8-16 NYLOCK NUT SS		
-	86026540	-	SQUEEGEE 32" SCRUBHEAD		COMPLETE

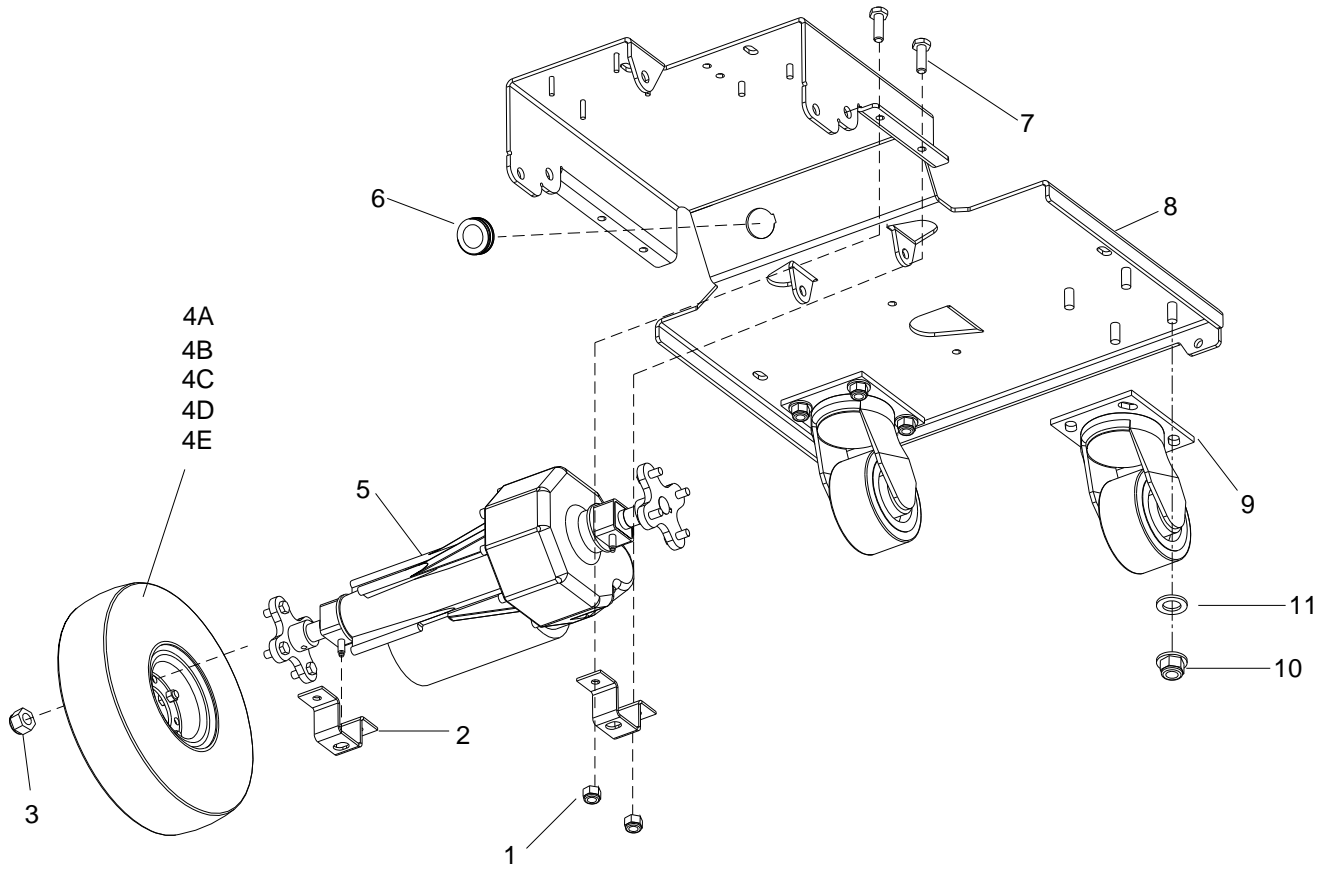
Squeegee Lift Linkage (Lower)



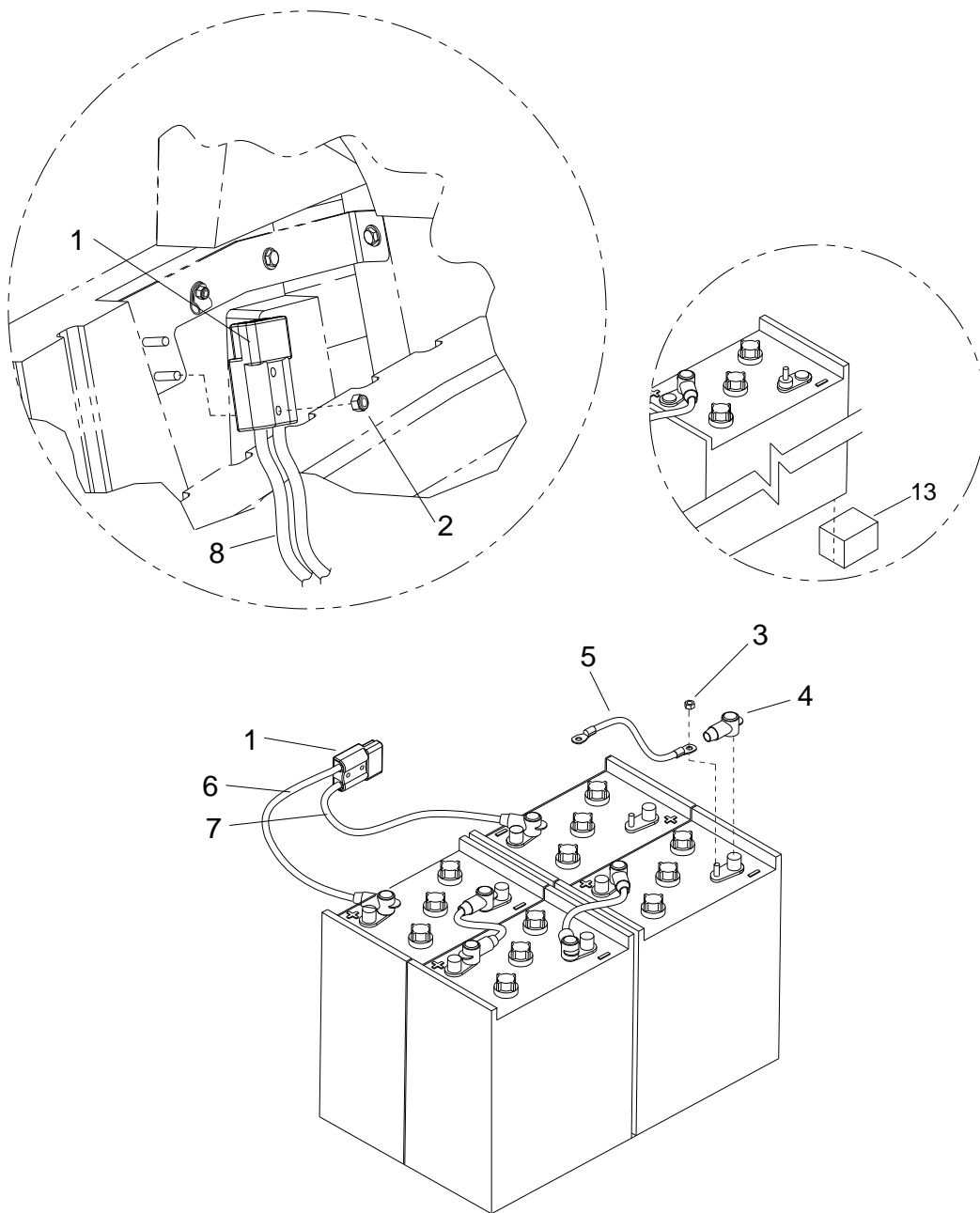
REF	PART NO.	QTY	DESCRIPTION	SERIAL NO. FROM	NOTES:
1	86008670	2	COTTER, 3/8" RING		
2	86069450	1	BRACKET, SQG PIVOT LIFT		
3	86271840	2	NUT, 5/16-18 HEX NYLOCK THIN SS		
4	86228840	2	BEARING, FLANGED .314ID X .502OD		
5	86259420	2	WASHER, THRUST .51ID X 1ODBRO		
6	86009200	1	KNOB, 3/8-16 4 PRONG ALUM		
7	86279510	1	WASHER, 3/8 FLAT		
8	86082150	1	PLATE, SQUEEGEE MOUNT		
9	86007270	1	SPRING, COMP 1.10OD X 2.0L X .148W		
10	86005630	1	NUT, 3/8-16 HEX NYLOCK THIN SS		
11	86072530	1	BRACKET, CAMBER PIVOT		
12	86276870	1	SCR, 3/8-16 X 2.50 CARRIAGE SS		
13	86277130	2	SCR, 5-16-18 X 1.00 CARRIAGE SS		
14	86249060	1	PIN, CLEVIS 3/8 X 4.63 PLTD		
15	86008870	2	BEARING, FLANGED 3/8" ID X 11/16"		
16	86259400	2	WASHER, THRUST .51ID X 1OD BRO		
17	86029480	1	PIN, CLEVIS 3/8" X 5.5"L PLTD		



REF	PART NO.	QTY	DESCRIPTION	SERIAL NO. FROM	NOTES:
1	86091170	1	TUBE, 2.0 OD X .05W X 1.0L		
2	86233430	1	CLAMP, 2.50 WORM GEAR		
3	86064910	1	MUFFLER, VAC MOTOR		
4	86001620	1	HOSE ASM, 1.5 BLK VAC X 67		
5	86002400	2	CLAMP, 2.0" WORM GEAR X .312W		
6	86271870	3	NUT, 1/4-20 HEX NYLOCK THIN SS		
7	86273810	3	SCR, 1/4-20 X 1 HHCS SS		
8	86005460	1	VAC MOTOR ASM, 24VDC 3 STAGE		
-	86135310	-	BRUSH SET, 24V/36V VAC WINDSOR		
9	86010630	3	WASHER, 1/4ID X 5/8OD SS		

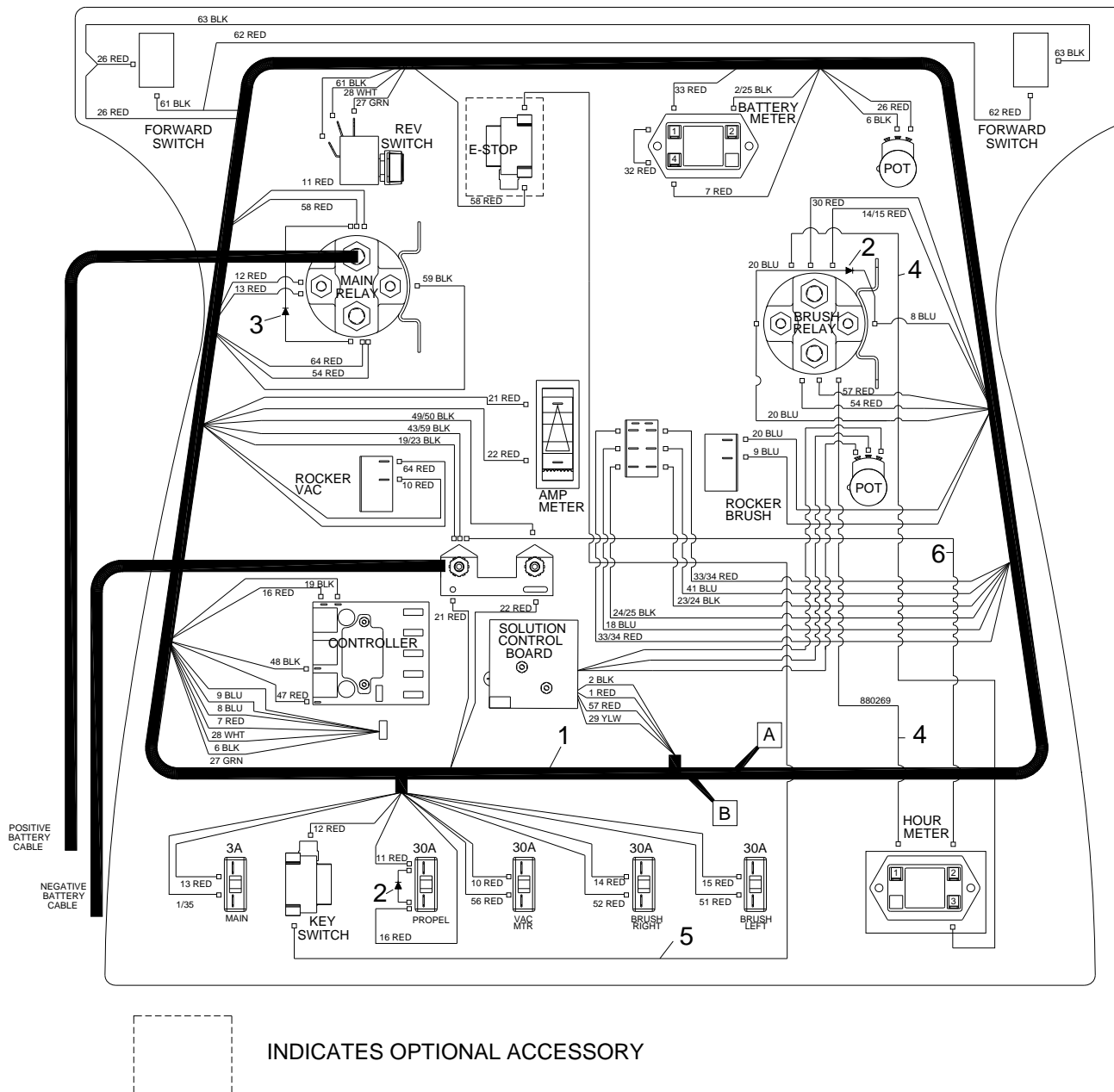
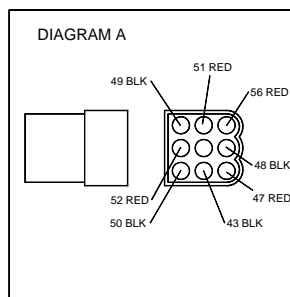
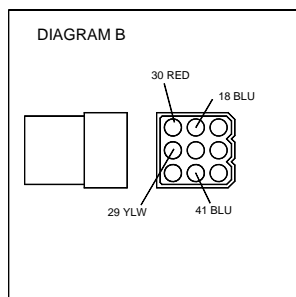


REF	PART NO.	QTY	DESCRIPTION	SERIAL NO. FROM	NOTES:
1	86271840	4	NUT, 5/16-18 HEX NYLOCK THIN SS		
2	86230330	2	BRACKET, TRANSAXLE MOUNT		
3	86271860	8	NUT, 5/16-24 HEX NYLOCK SS		
4A	86011050	2	WHEEL ASM, 10" FMFL BLK KNOBBY		
4B	86137420	2	WHEEL ASM, 10" SOLID SPCL SCBR		OPTIONAL
4C	86011040	2	WHEEL ASM, 10" FMFL N-MARKING		OPTIONAL
4D	86354660	2	WHEEL, 10" BLK KNOBBY POLY FILL		OPTIONAL
4E	86354670	2	WHEEL, 10" N-MRKNG POLY FILL		OPTIONAL (STANDARD ON 1.005- 286.0)
5	86000800	1	AXLE MOTOR DRIVE, 24VDC		
5A	86216150	1	BRUSH SET, 24V TRANSAXLE		
5B	86004660	1	HUB KIT, 05128 TRANSAXLE		
5C	86241840	1	KEY, WOODRUFF .75ID HUB		
6	86238430	1	GROMMET, 1.00ID 3/16 GRIP		
7	86006560	4	SCR, 5/16-18 X 1 HHCS SS NP		
8	86092580	1	FRAME, MAIN 24V		
9	86002310	2	CASTER, 4 DIA X 2 W X 3.56R		
10	86270880	8	NUT, 3/8-16 SERRATED FLG		
11	86278910	8	WASHER, 3/8 ID X 7/8 OD SS		

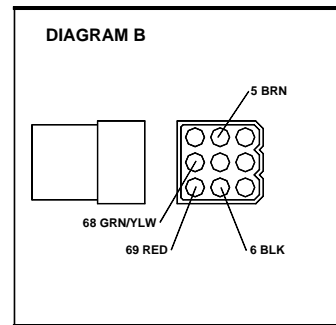
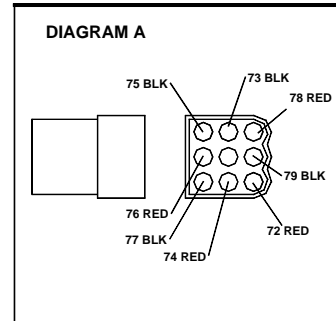
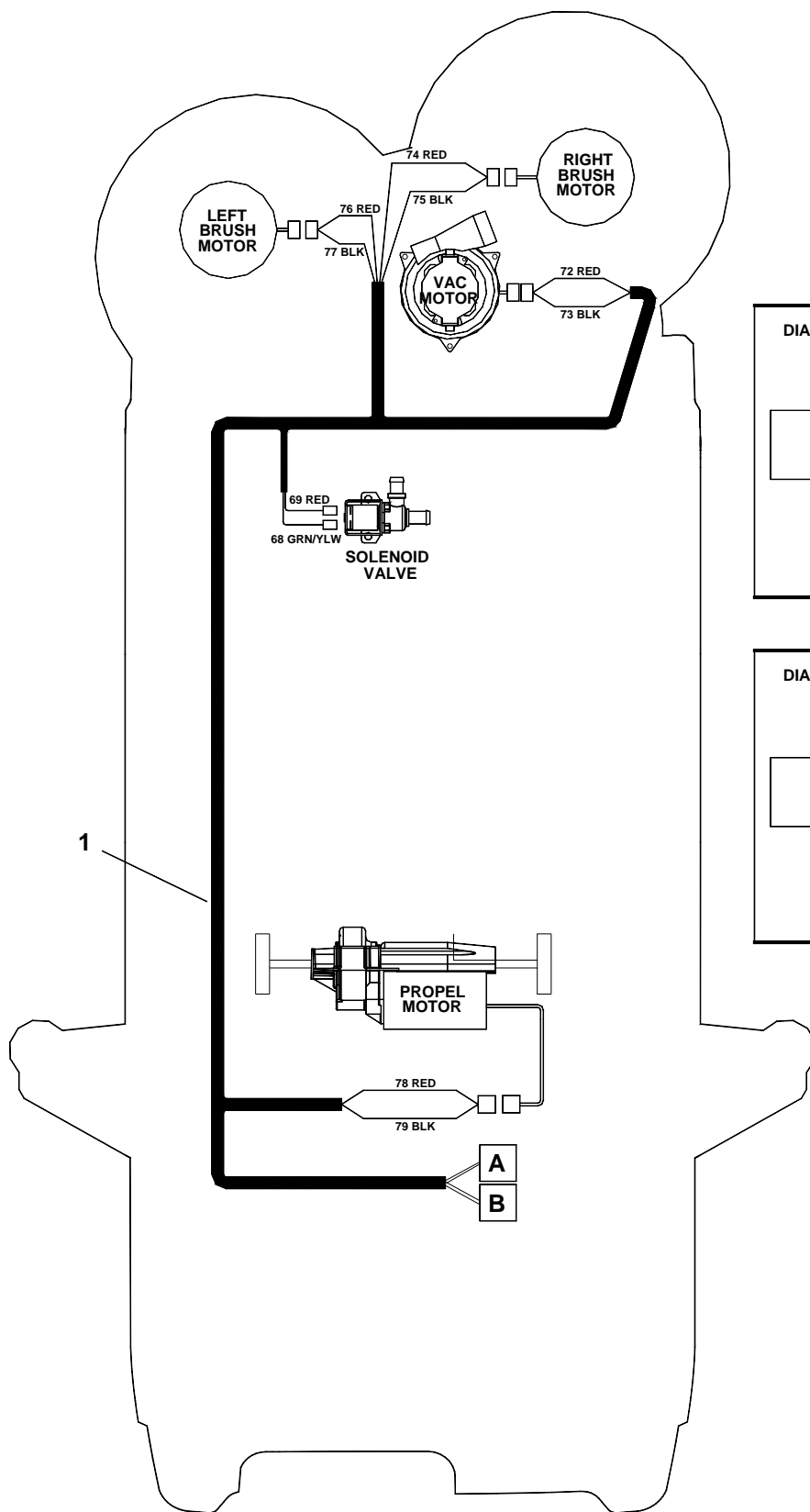


REF	PART NO.	QTY	DESCRIPTION	SERIAL NO. FROM	NOTES:
1	86010120	1	CONNECTOR, RED 24V		
2	86271870	2	NUT, 1/4-20 HEX NYLOCK THIN SS		
3	86271910	8	NUT, 5/16-18 FLEXLOCK		
4	86008920	8	BOOT, RUBBER TERM. ISOLATOR		
5	86009000	3	WIRE, 4 X 9.5 BK 5/16 RING X 5/16 RING		
6	86010850	1	WIRE, 4X20 RD C, TERM X 5/16 RING		
7	86010860	1	WIRE, 4X20 BK C, TERM X 5/16 RING		
8	86260520	2	WIRE, 4X67 BK C. TERM 5/16 RING		
9	86233360	1	CLAMP, CABLE KIT SY945		
10	86270890	1	NUT, ACORN 10-32		
11	86010650	1	WASHER, #10 X 9/16 OD		
12	86273980	1	SCR, 10-32 X 3/4 PPHMS SS		
13	86312710	1	BLOCK, 3.5 X 4 X 5 FOAM		FOR 86312720 BATTERIES

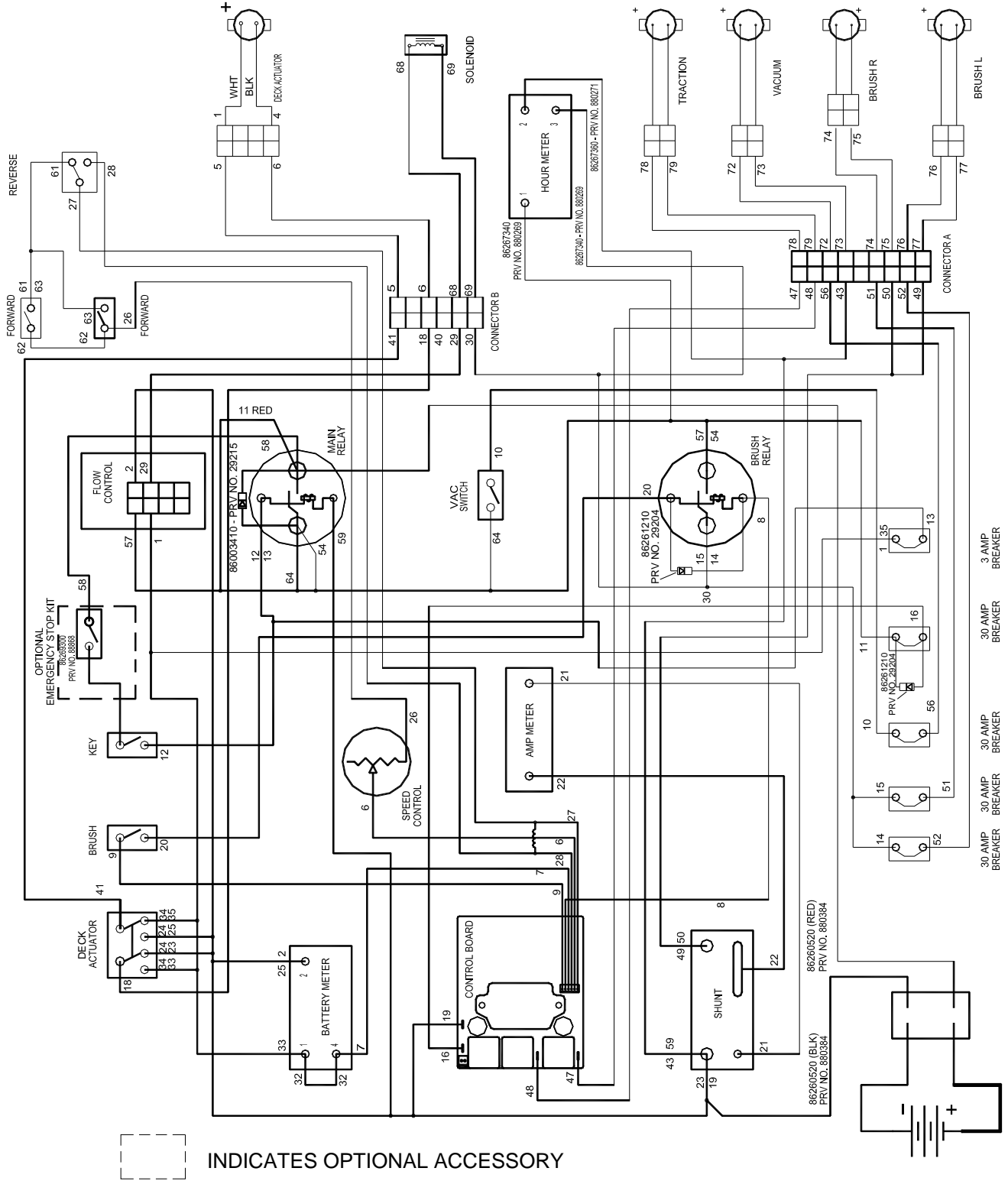
Wiring - Control Panel



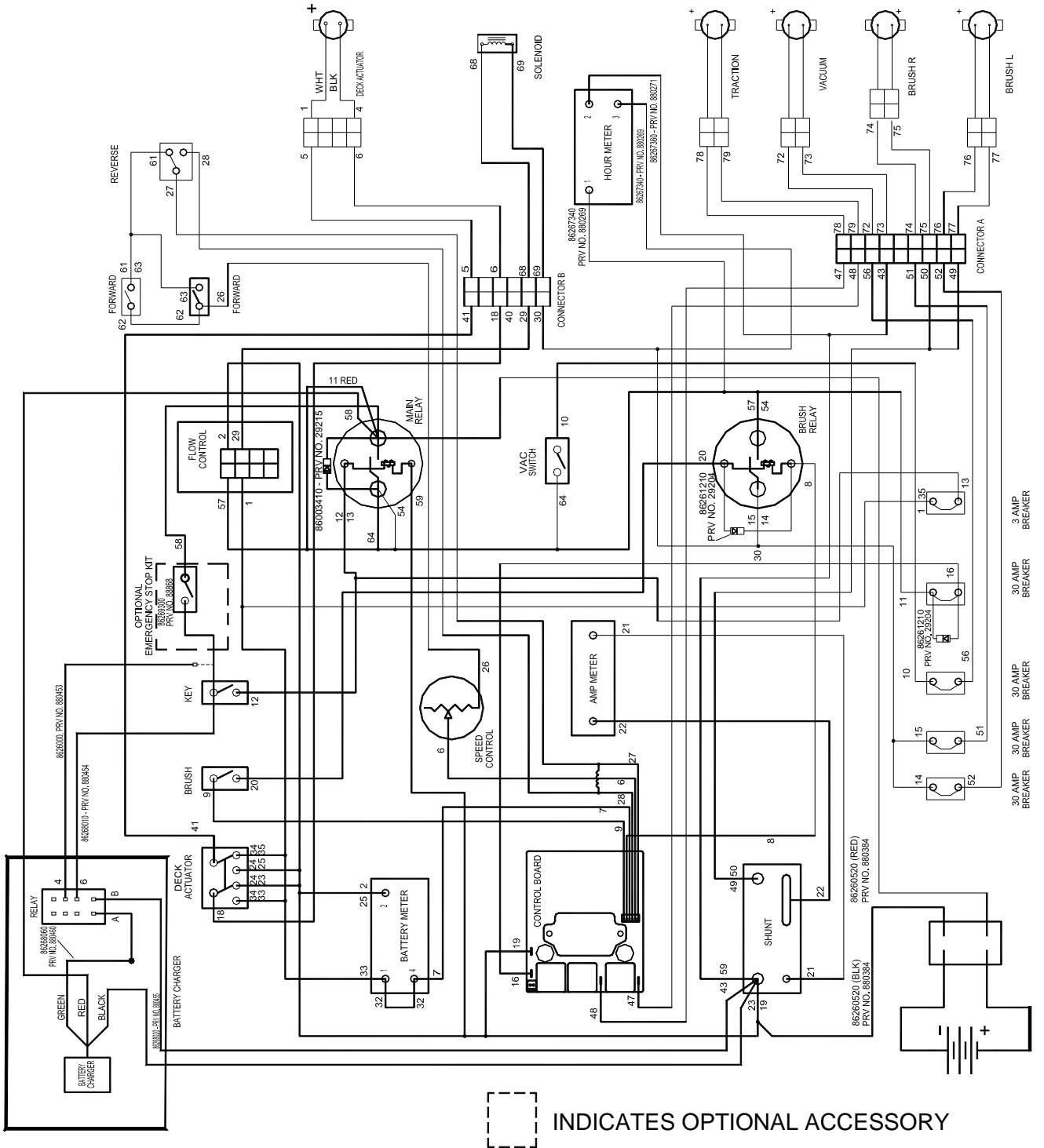
REF	PART NO.	QTY	DESCRIPTION	SERIAL NO. FROM	NOTES:
1	86238990	1	HARNESS, PANEL, DELUXE		
2	86261210	2	DIODE ASM, 76008 X 76008		
3	86003410	1	DIODE ASM, 76075 X 76075		
4	86267340	2	WIRE, 22" RED/18 76040 X 76075		
5	86269300	1	WIRE, 16" RED/18 STRIP X STRIP		
6	86267360	1	WIRE, 14" BLK/18 76011 X 76040		



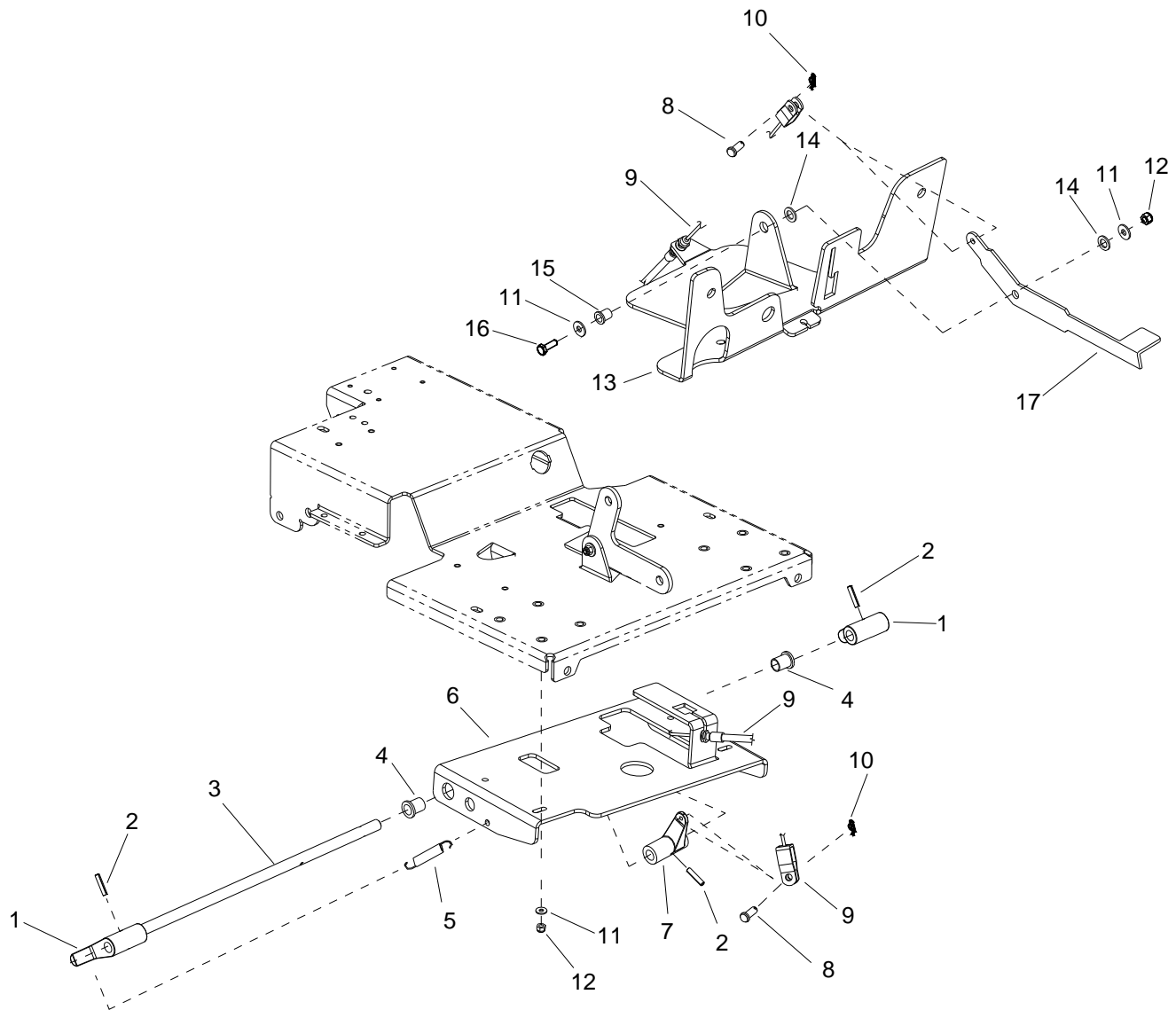
REF	PART NO.	QTY	DESCRIPTION	SERIAL NO. FROM	NOTES:
1	86238980	1	HARNESS, MAIN		



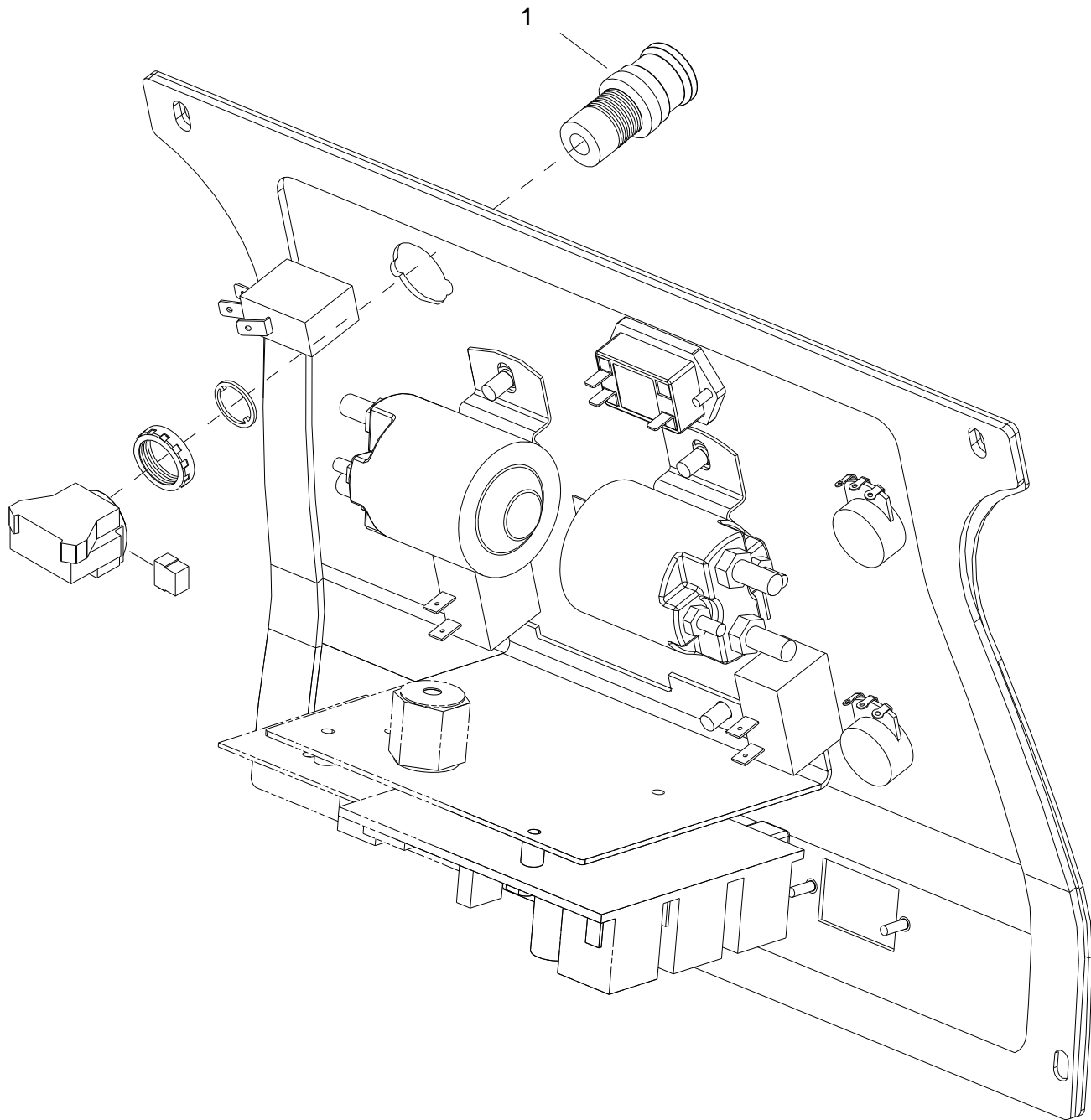
INDICATES OPTIONAL ACCESSORY



OPTIONS

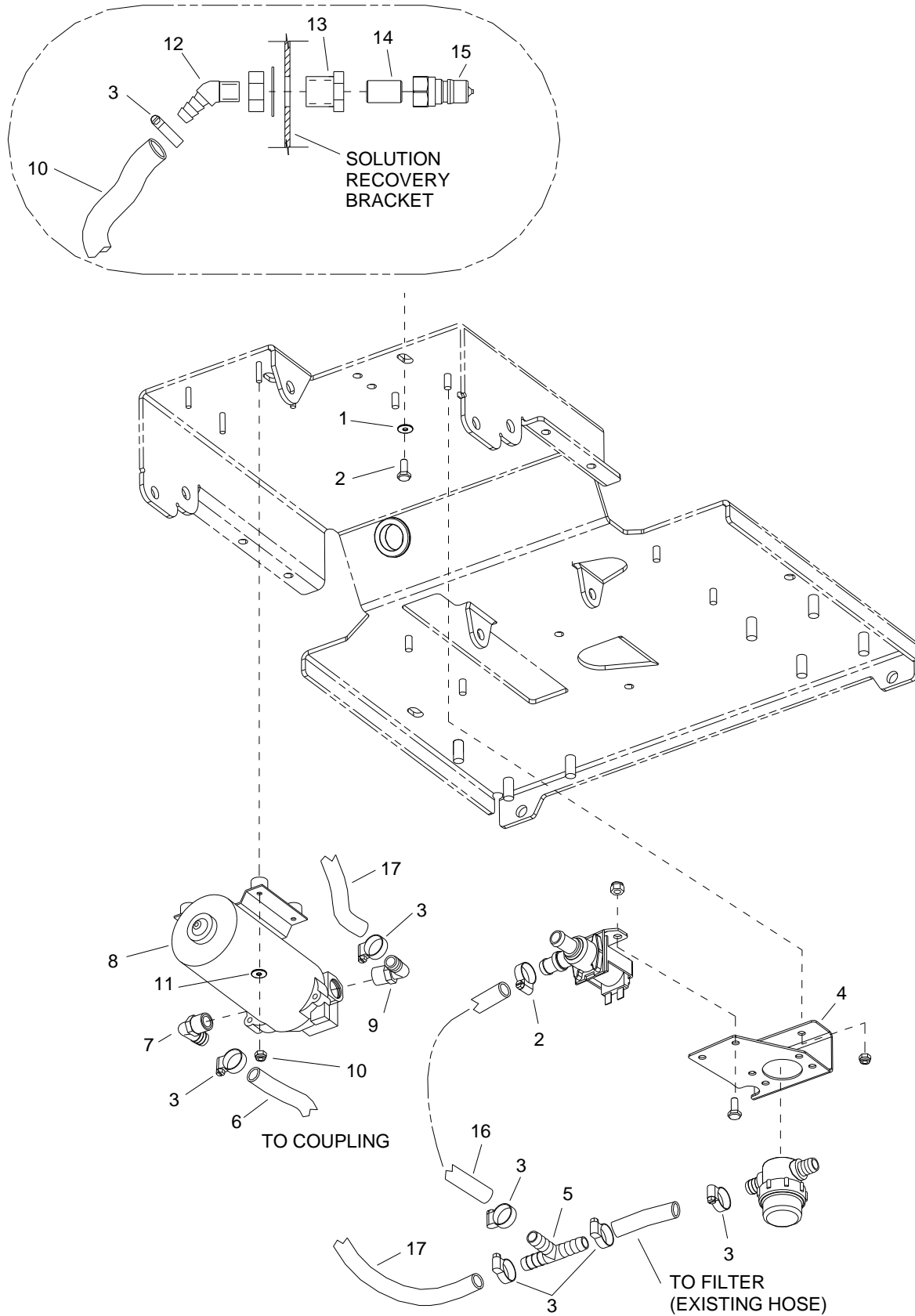


REF	PART NO.	QTY	DESCRIPTION	SERIAL NO. FROM	NOTES:
1	86248370	2	PAD, BRAKE		
2	86006220	3	PIN, ROLL 1/4 X 1.25L		
3	86252070	1	ROD, BRAKE 24V		
4	86231330	2	BUSH, BRZ FLG .63 X .75 X 1.0		
5	86255060	2	SPRING, EXT .43D X 2.50 L X .047 W		
6	86070070	1	BRKT, LOWER BRAKE MOUNT 24V		
7	86234850	1	CRANK, BRAKE		
8	86272610	2	PIN, CLEVIS 5/16" X 3/4" L PLTD		
9	86231820	1	CABLE, PARK BRAKE		
10	86008660	2	COTTER, 5/16" RING		
11	86010630	6	WASHER, 1/4 ID X 5/8 OD SS		
12	86271870	5	NUT, 1/4-20 HEX NYLOCK THIN SS		
13	86070150	1	BRKT, TANK MOUNT 24V		
14	86259400	1	WASHER, THRUST .51 ID X 1 OD BRO		
15	86228900	1	BEARING, FLANGED .252ID X .503OD		
16	86273820	1	SCR, 1/4-20 X 1.25 HHCS SS		
17	86077280	2	LEVER, BRAKE		

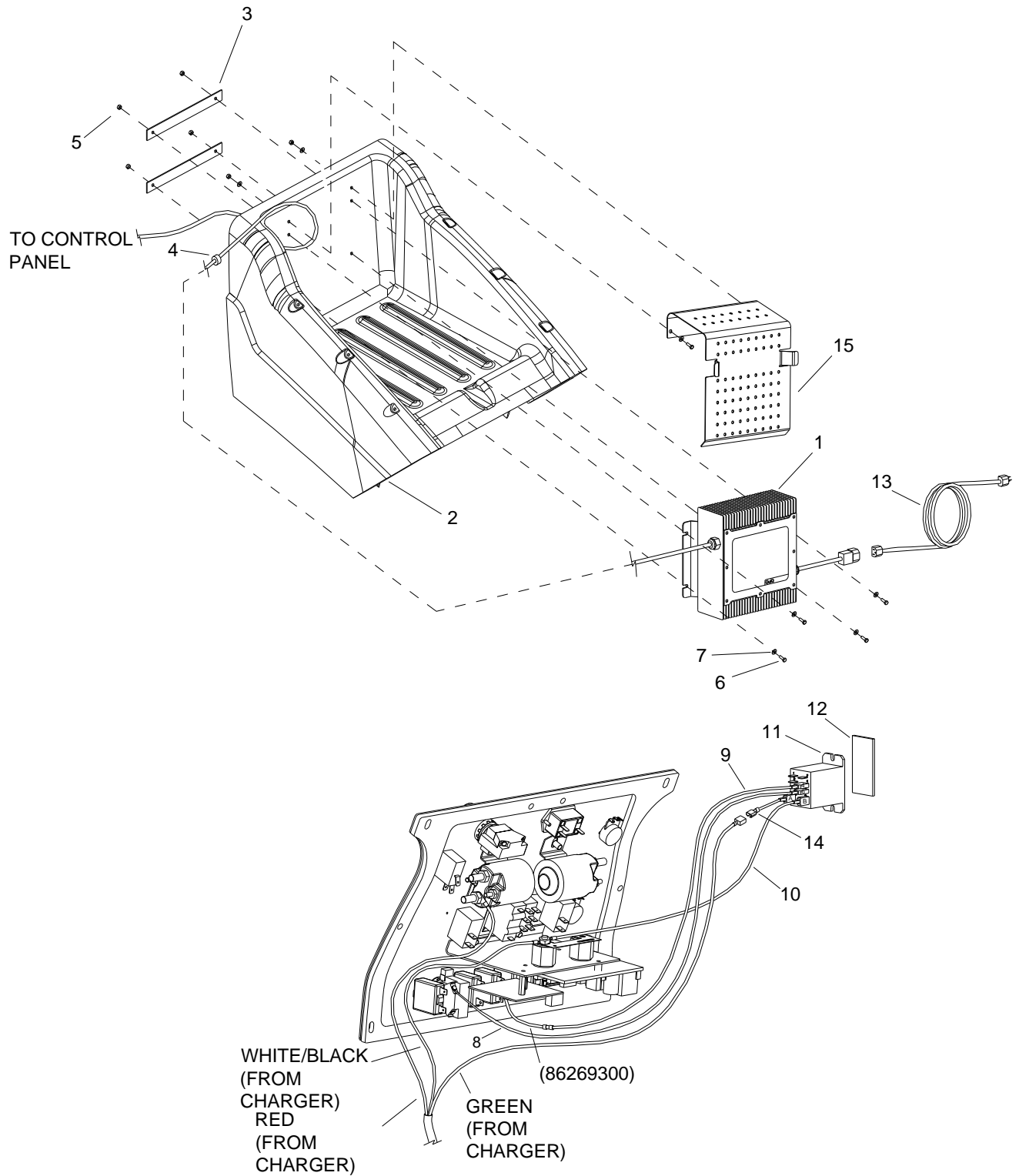


REF	PART NO.	QTY	DESCRIPTION	SERIAL NO. FROM	NOTES:
1	86007180	1	SWITCH, EMERGENCY STOP		
-	86269300	1	WIRE, 16" RED/18 STRIP X STRIP		NOT SHOWN

Accessory Pump



REF	PART NO.	QTY	DESCRIPTION	SERIAL NO. FROM	NOTES:
1	86010670	1	WASHER, 5/16 FLAT SS		
2	86276780	1	SCR, 5/16-18 X 3/4 HHCS SS		
3	86233150	6	CLAMP, 3/8 HOSE (D-SLOT)		
4	86070140	1	BRKT, FILTER/SOLENOID MOUNT		
5	86240410	1	HOSEBARB, 1/2 TEE		
6	86282200	1	HOSE 3/8 X 40" WIRE BOUND		
7	86001550	1	HOSEBARB, 3/8MPT X 3/8 90D		
8	86026370	1	PUMP ASM, 24V ACCESSORY		
9	86197940	1	HOSEBARB, 3/8MPT X 1/2 90 D DL		
10	86270990	4	NUT, 10-32 HEX NYLOCK SS		
11	86010650	4	WASHER, #10 X 9/16 OD		
12	86197620	1	HOSEBARB, 1/4MPT X 3/8 45D DL		
13	86002470	1	COUPLING, 1/4 ANCHOR W/1" HEX		
14	86005590	1	NIPPLE, 1/4 CLOSE		
15	86005580	1	NIPPLE, 1/4 FPT QD		
16	86282110	1	HOSE, 1/2" WIREBOUND X 5.5		
17	86280750	1	HOSE, 1/2 WIREBOUND X 21"		
-	86239020	1	HARNESS PUMP KIT ADAPTER		NOT SHOWN
-	86264940	3	CABLE TIE, 11.38" UL/CSA		NOT SHOWN



REF	PART NO.	QTY	DESCRIPTION	SERIAL NO. FROM	NOTES:
1	86232940	1	CHARGER, DELTA-Q, 24V, 25A		
2	86031810	1	COVER, TOP, 24V GRY OBC		
3	86073430	2	BRKT, CHARGER DELTA-Q		
4	86226550	1	GROMMET, 1/2 ID X 1/4 GROOVE		
5	86005810	6	NUT, 1/4-20 HEX NYLOCK SS		
6	86275490	6	SCR, 1/4-20 X 1.0 BH BLK PLATE		
7	86279520	8	WASHER, 1/4 ID FLAT BLK		
8	86268010	1	WIRE, 20" RED/16 76033 X STRIP		
9	86268000	1	WIRE, 12" RED/16 76033 X 76009		
10	86268020	1	WIRE, 20" BLK/16 76001 X 76033		
11	86251450	1	RELAY, 15A 24V MINI		
12	86133400	0.125	TAPE, 1/32T X 1.0 25A		
13	86234390	1	CORD ASM, 16/3 SJTW X 2M IEC		
14	86268060	1	WIRE, 2" GRN/16 76033 X 76044		
15	86075390	1	COVER, CHARGER DELTA-Q		

Serial Number

REF. NO.	MODEL: SERIAL #
1	10052380000328, 10052390000285, 10052430000082, 10052440000037, 10052860000024, 10052820000001

