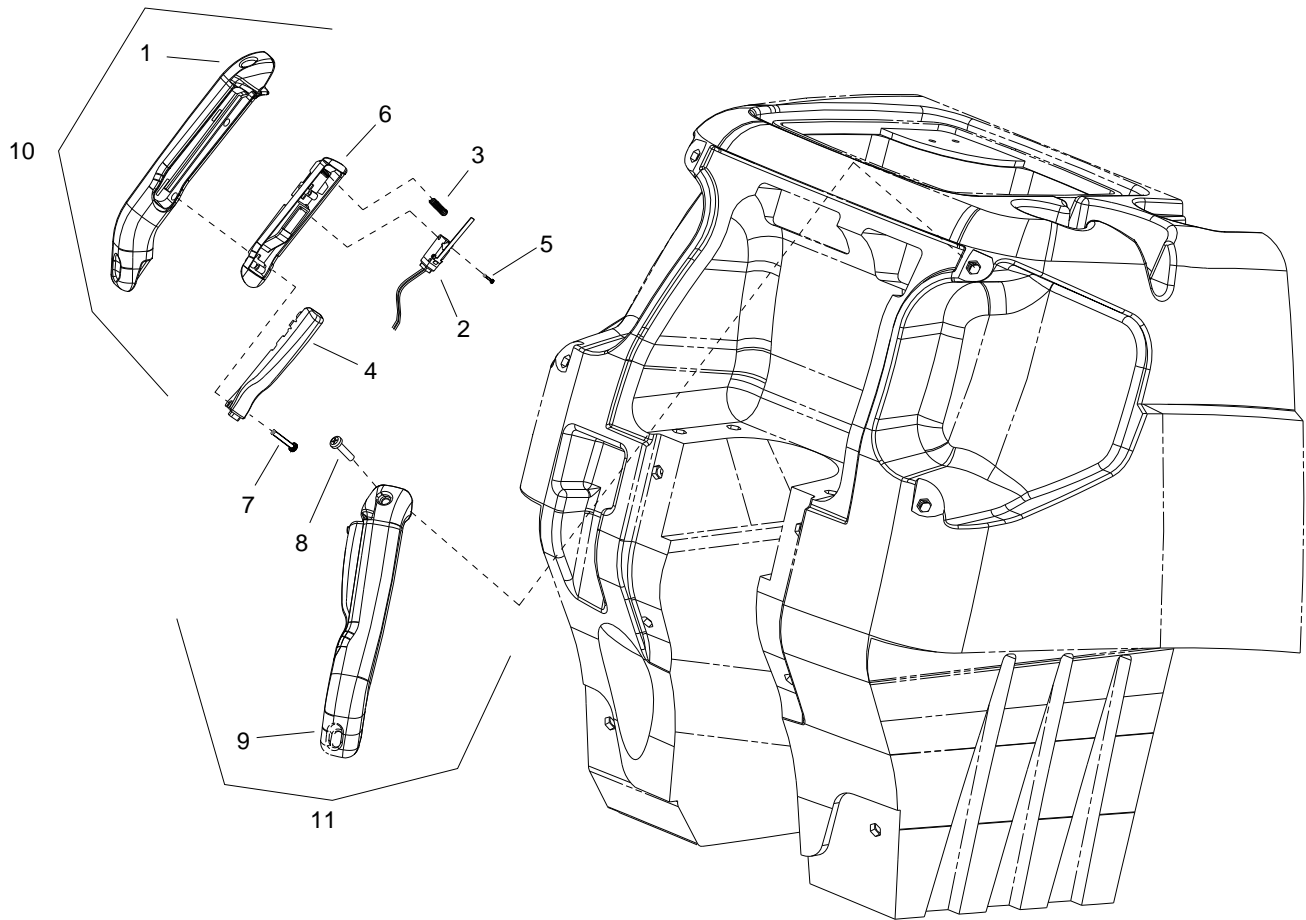
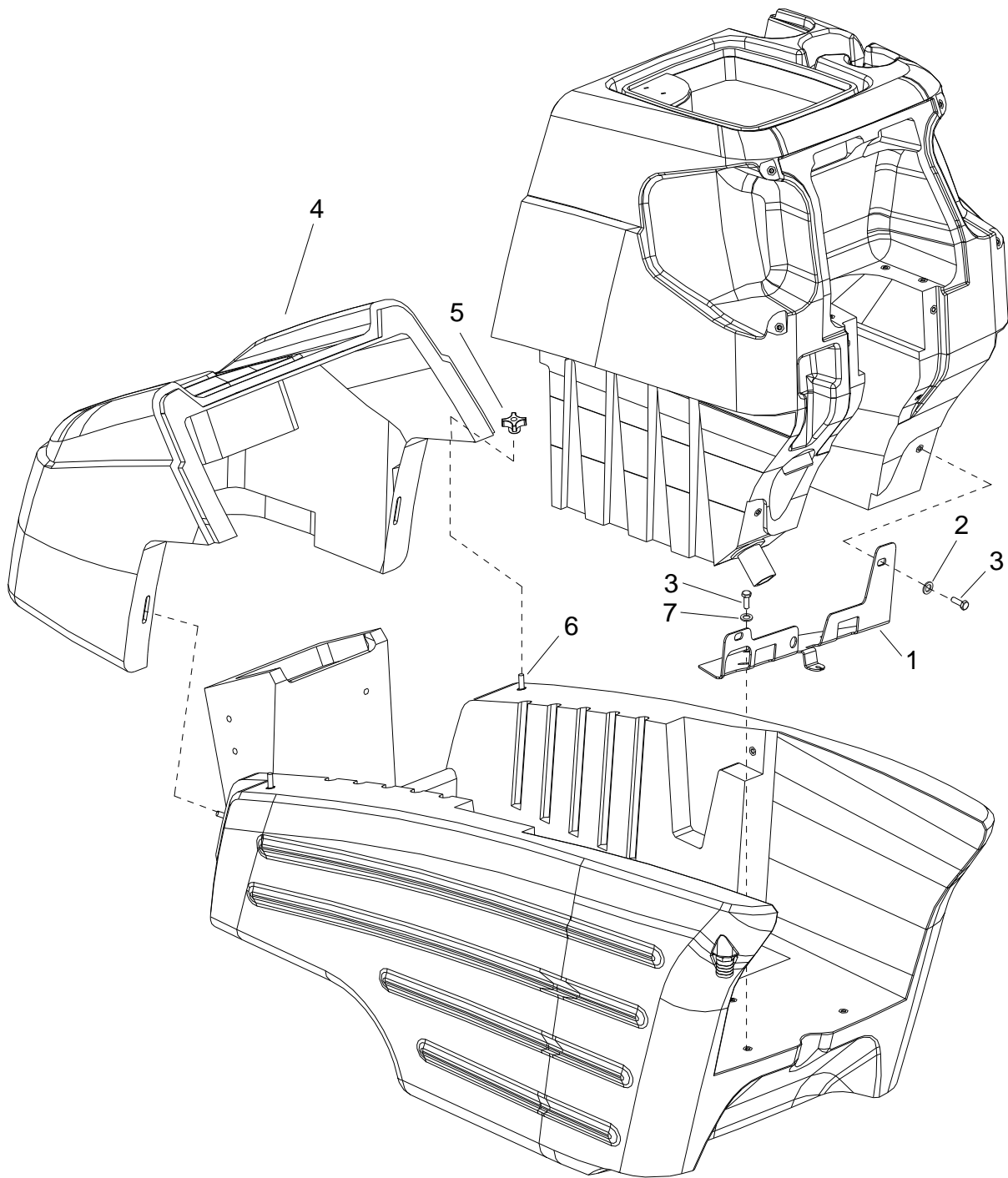


PARTS



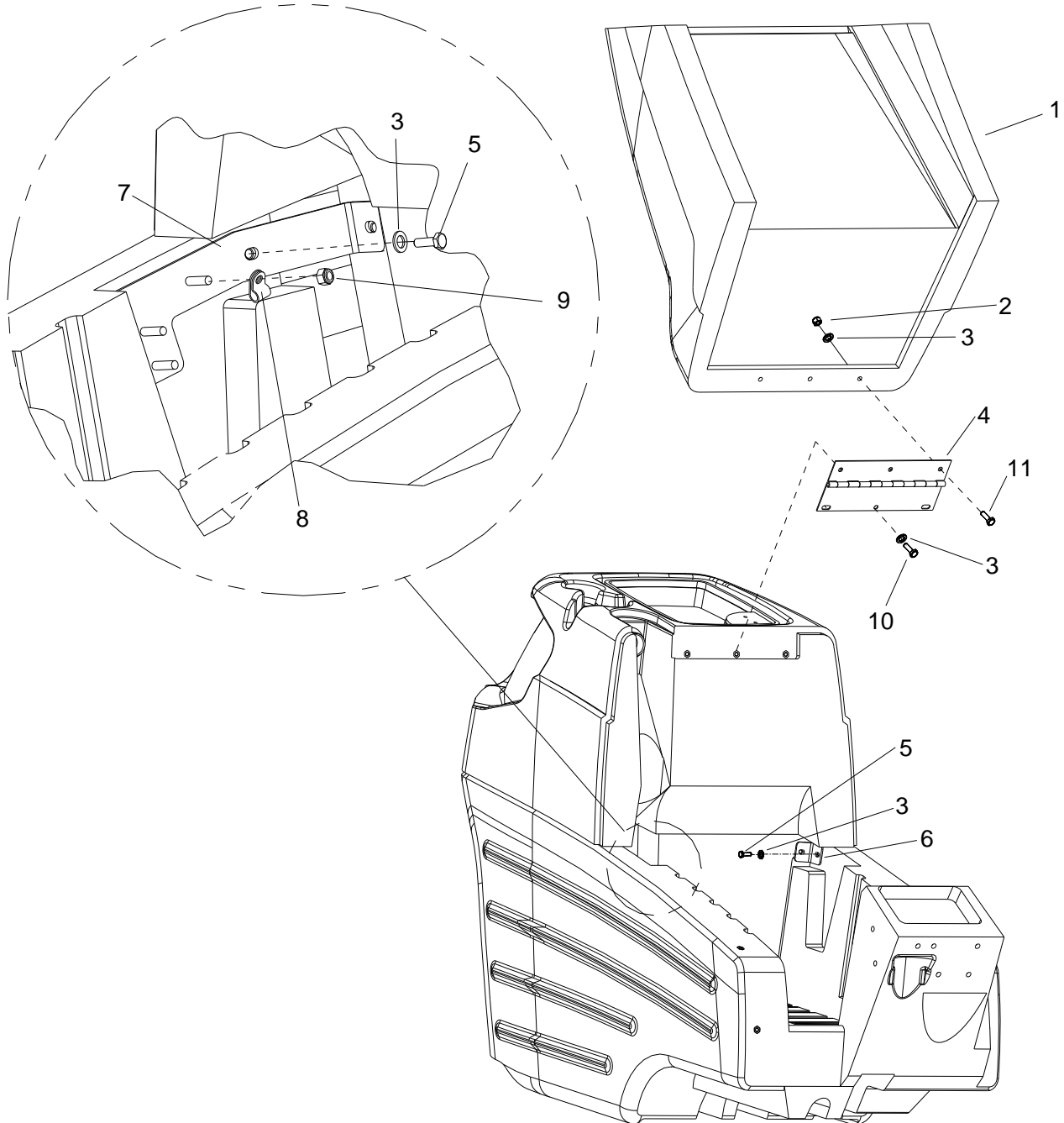
REF	PART NO.	QTY	DESCRIPTION	SERIAL NO. FROM	NOTES
1	86238730	1	HANDLE, LEFT		
2	86257230	2	SWITCH, SPST MOM NO W/LEVER		
3	86254920	2	SPRING, COMP .240D X 1.25 X .018		
4	86231480	2	BUTTON, PROPEL		
5	86277070	2	SCREW, 4-40 X .625 PHPNHMS STL ZNPLT		
6	86240990	2	HOUSING, BUTTON		
7	86277060	4	SCREW, 8-32 X .875 PHPNHMC		
8	86277050	4	SCREW, 5/16-18 X .75 SCHCS SS		
9	86238740	1	HANDLE, RIGHT		
10	86004120	-	PROPEL HANDLE ASM LEFT		SERVICE ONLY
11	86004130	-	PROPEL HANDLE ASM RIGHT		SERVICE ONLY

Cover (Front) & Tank Mount

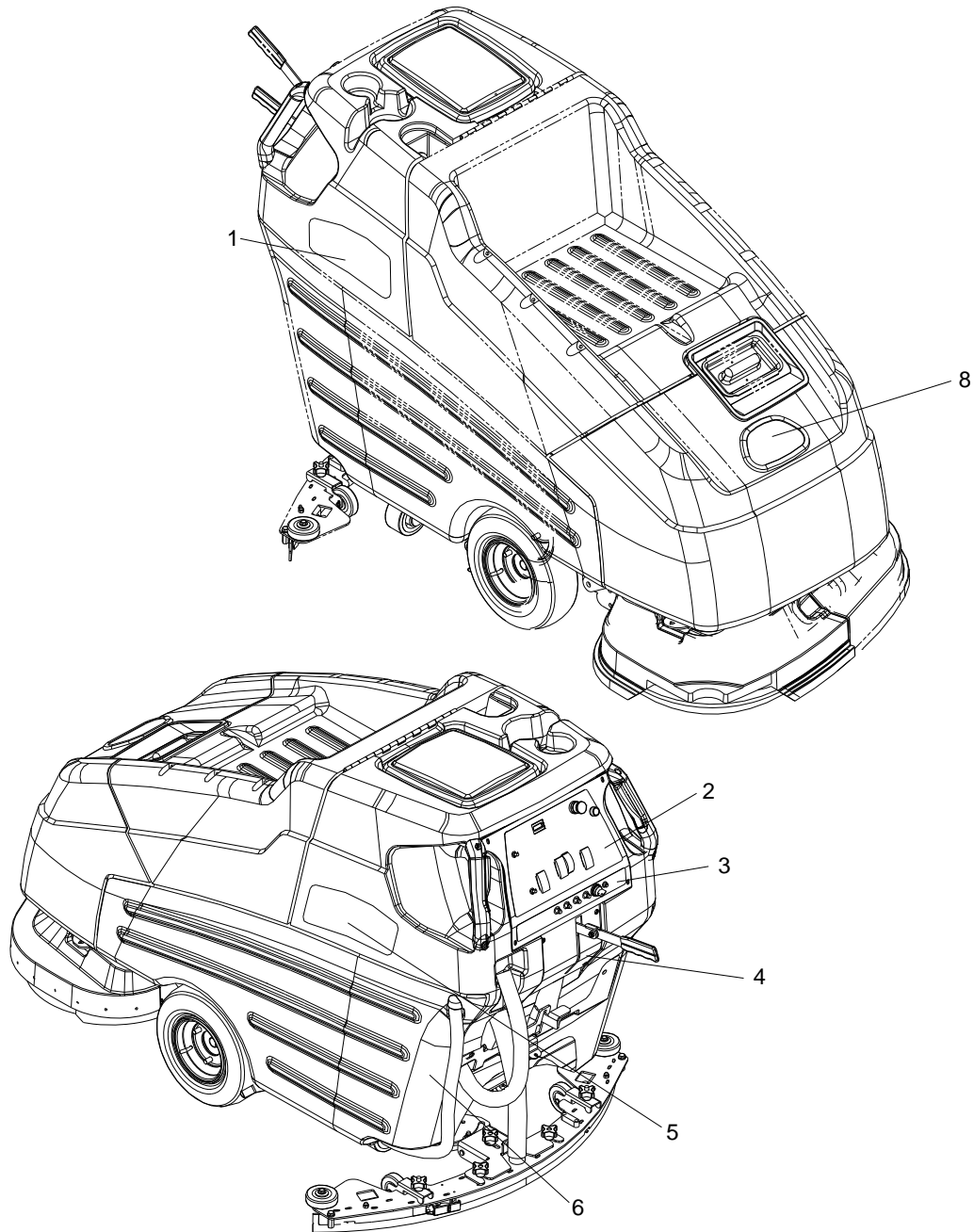


REF	PART NO.	QTY	DESCRIPTION	SERIAL NO. FROM	NOTES
1	86073690	1	BRT, REC TO SOL W/BRAKE 36V		
2	86010670	2	WASHER, 5/16 X .75 X .04 FLT SS		
3	86276780	5	SCREW, 5/16-18 X .75 HHCS SS		
4	86062550	1	COVER, FRONT, 36V, GRY		
5	86377890	2	KNOB, 1.36" DIA X 5/16-18		
6	86276380	4	SCREW, 5/16-18 X 1.25 SCHSET CP SS		
7	86279630	3	WASHER, 5/16 X 1.13 X .09 FLT		

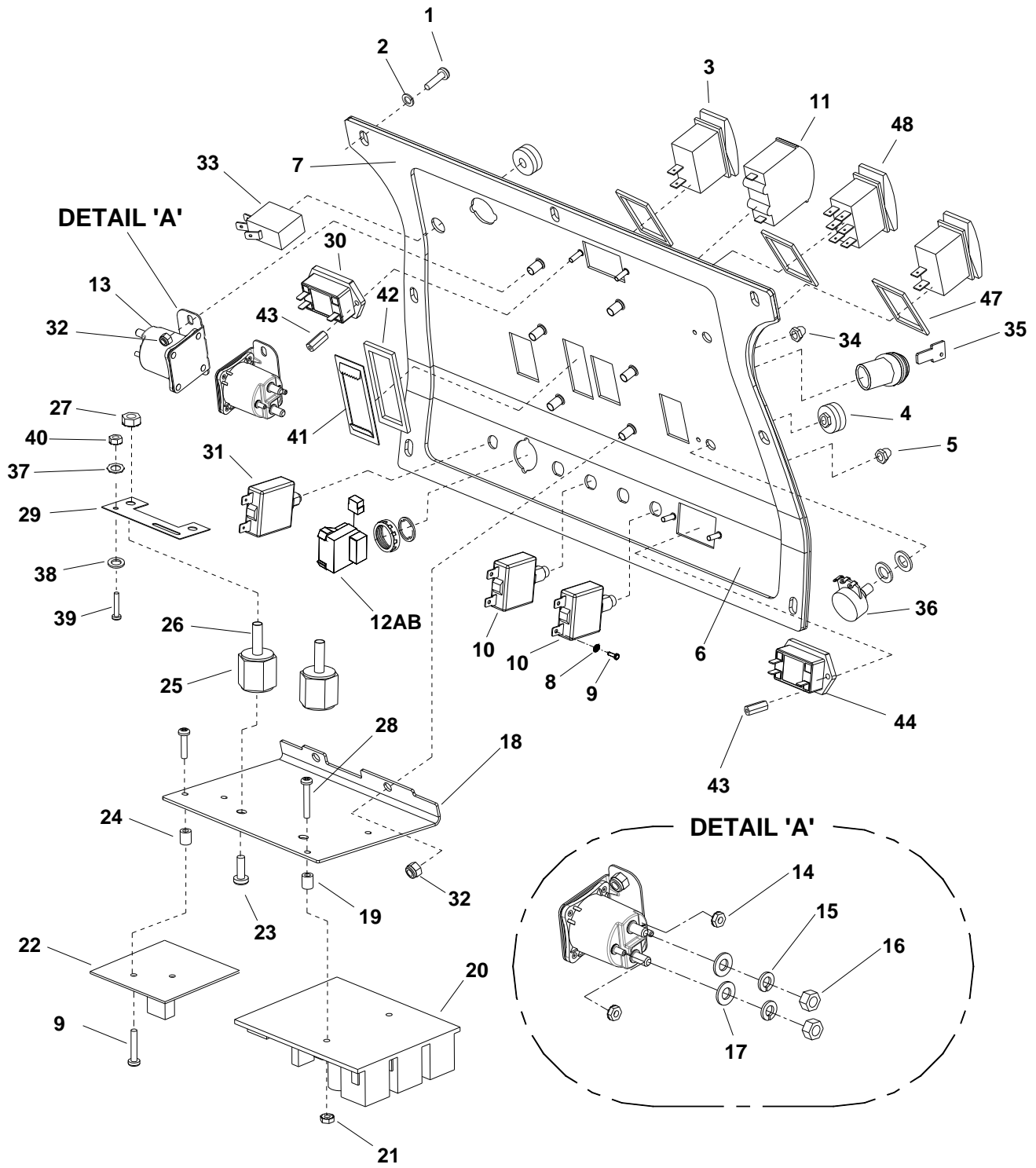
Cover (Top) & Tank Mount



REF	PART NO.	QTY	DESCRIPTION	SERIAL NO. FROM	NOTES
1	86062560	1	COVER, TOP, 36V, GRY		
2	86271840	3	NUT, 5/16-18 HEXTHIN NYLOCK SS		
3	86010670	10	WASHER, 5/16 X .75 X .04 FLT SS		
4	86239650	1	HINGE, COVER TO TANK 36V		
5	86276780	4	SCREW, 5/16-18 X .75 HHCS SS		
6	86069840	1	BRKT, TANK LEFT 36V		
7	86069850	1	BRKT, TANK RIGHT, 36V		
8	86233390	1	CLAMP, 7/8 DIA "P~CUSHIONED		
9	86271870	1	NUT, 1/4-20 HEXTHIN NYLOCK SS		
10	86276490	3	SCREW, 5/16-18 X .625 HHCS SS		
-	86292630	1	NET, CARGO		NOT SHOWN
11	86276780	3	SCREW, 5/16-18 X .75 HHCS SS		

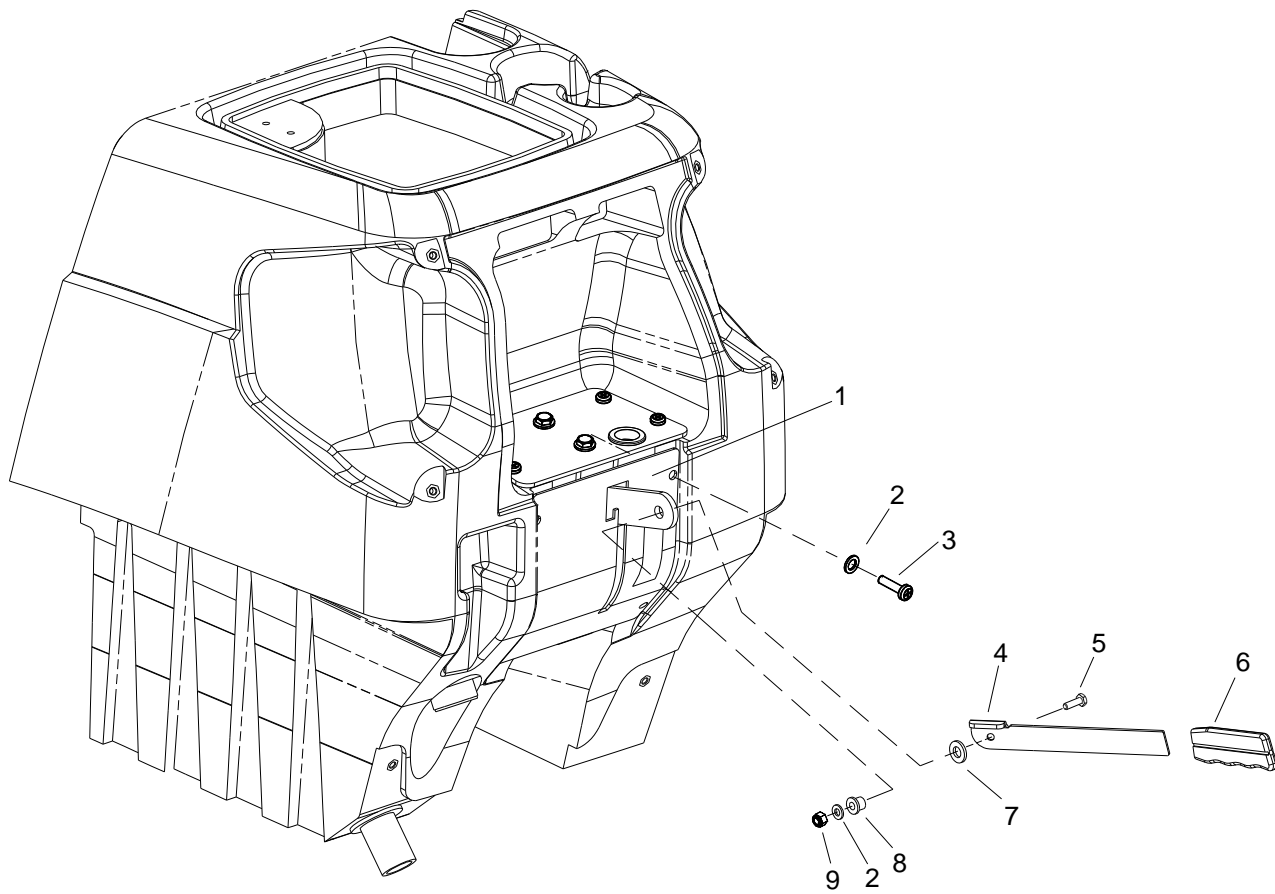


REF	PART NO.	QTY	DESCRIPTION	SERIAL NO. FROM	NOTES
1	86243560	1	LABEL, CUTTER RIGHT		
2	86243630	1	LABEL, ELEC PANEL 36V DLX		
3	86243610	1	LABEL, ELECT PANEL, LOWER 36V		
4	86243600	1	LABEL, SQUEEGEE LEVER		
5	86243550	1	LABEL, CUTTER LEFT		
6	86243710	1	LABEL, SOLUTION FILL 36V		
7	86004970	1	LABEL WINDSOR LOGO DOMED		

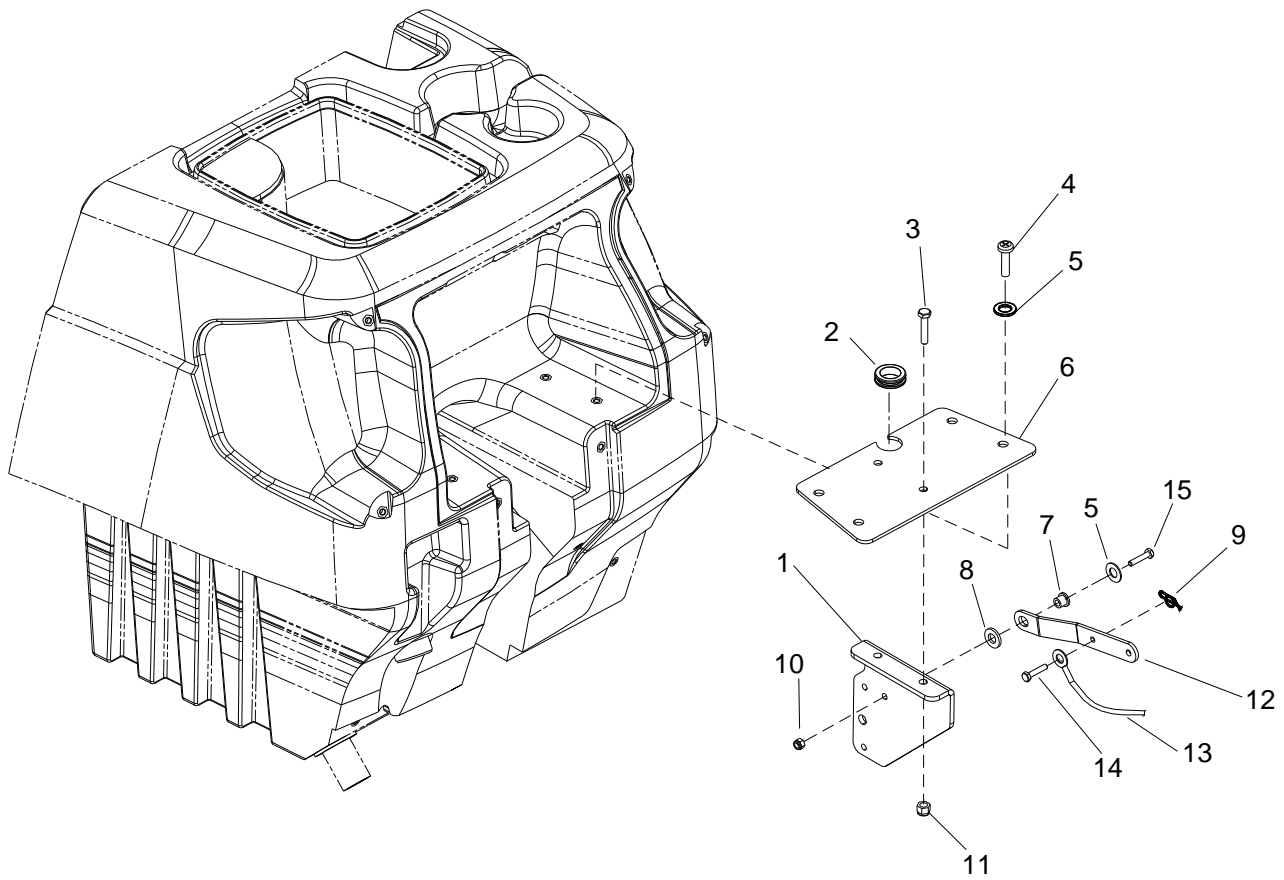


REF	PART NO.	QTY	DESCRIPTION	SERIAL NO. FROM	NOTES
1	86276290	7	SCREW, 10 X .75 PHPNHMS BLK ZNPLT		
2	86294250	7	WASHER, .190 X .5 X .09 FLT STL BLKOX		
3	86007140	2	SWITCH SPST 2-POSITION ROCKER		
4	86242110	2	KNOB, .90 OD X .25 COLLET		
5	86008900	4	BOOT, SEAL-PUSH BUTTON 7/16-28		
6	86291070	1	PLATE, ELEC PNL 36V AKW	(5*)	
7	86237820	1	GASKET, ELEC. PANEL, 36V		
8	86279300	8	WASHER, 6 X .25 X .031 SPL SS		
9	86273990	12	SCREW, 6-32 X .375 PHPNHMS SS		
10	86001910	4	BREAKER, 30A 50VDC CIRCUIT		
11	86246940	1	METER, 0-50 AMP DC		
12A	86007170	1	SWITCH KEY TWO POSITION		
12B	86193750	-	SW,RTRY NON-ILLUM TM		OPTIONAL
13	86371450	2	RELAY 36VDC 100AMP HD		
14	86005700	4	NUT, 10-32 HEXSTRW LK STL ZNPLT		
15	86279480	6	WASHER, 5/16 X .588 X .028 EXTLK		
16	86271120	4	NUT, 5/16-18 BRASS		
17	86010760	2	WASHER, 5/16 X .688 X .065 FLT STL ZNPLT		
18	86082820	1	PLATE, ELECT. PANEL, BACK		
19	86254440	2	SPACER,.166IDX.313ODX.375L AL		
20	86002940	1	CONTROLLER, 36VDC PROPEL MOTOR		
21	86270850	2	NUT, 8-32 HEX NYLOCK SS		
22	86003250	1	CIRCUIT BOARD, SOL FLOAT WIRED		
23	86276880	1	SCREW, 1/4-20 X .375 HHCS SS		
24	86255890	4	STANDOFF, 6-32 X 1.0 HEX NYL		
25	86255910	1	STANDOFF, 1/4-20 X 1.0 HEX INS		
26	86006850	1	SCREW, 1/4-20 X 1.25 SCHSET CP SS		
27	86270930	2	NUT, 1/4-20 HEXTHIN SS		
28	86273910	2	SCREW, 8-32 X 1 PHPNHMS SS		
29	86253620	1	SHUNT, DC AMM. 50 AMP, 50MV		
30	86246930	1	METER, 36V BATTERY CHARGE LEVEL		
31	86002000	1	BREAKER, 3 AMP 1681-090-300		
32	86271870	6	NUT, 1/4-20 HEXTHIN NYLOCK SS		
33	86257030	1	SWITCH, MOMENTARY, DPST		
34	86002010	1	BOOT, 3/8 CIRCUIT BREAKER		
35	86004860	1	KEY, SWITCH		SERVICE ONLY
36	86006310	1	POTENTIOMETER, 50K OHMS		SERVICE ONLY
37	86279020	2	WASHER, 6 X .305 X .016 EXTLK SS		
38	86279600	2	WASHER, 6 X .312 X .025 FLT BRS		
39	86276250	2	SCREW, 6-32 X .375 SLTDPNHMS BRS		
40	86271720	2	NUT, 1/4-20 WING NYLOCK STL ZNPLT		
41	86249290	1	PLATE, METER RETAINING		
42	86237830	1	GASKET, AMP METER		
43	86255900	4	STANDOFF, 6-32 X 5/8 HEX NYL	(3*)	
44	86005530	1	METER, 12-48 VDC LED HOUR	(3*)	
45	86267340	2	WIRE, 22" RED/18 76040 X 76075	(3*)	NOT SHOWN
46	86267360	1	WIRE, 14" BLK/18 76011 X 76040	(3*)	NOT SHOWN
47	86238030	3	GASKET, SWITCH CARLING		
48	86007210	1	SWITCH DPDT 3-POSITION ROCKER		

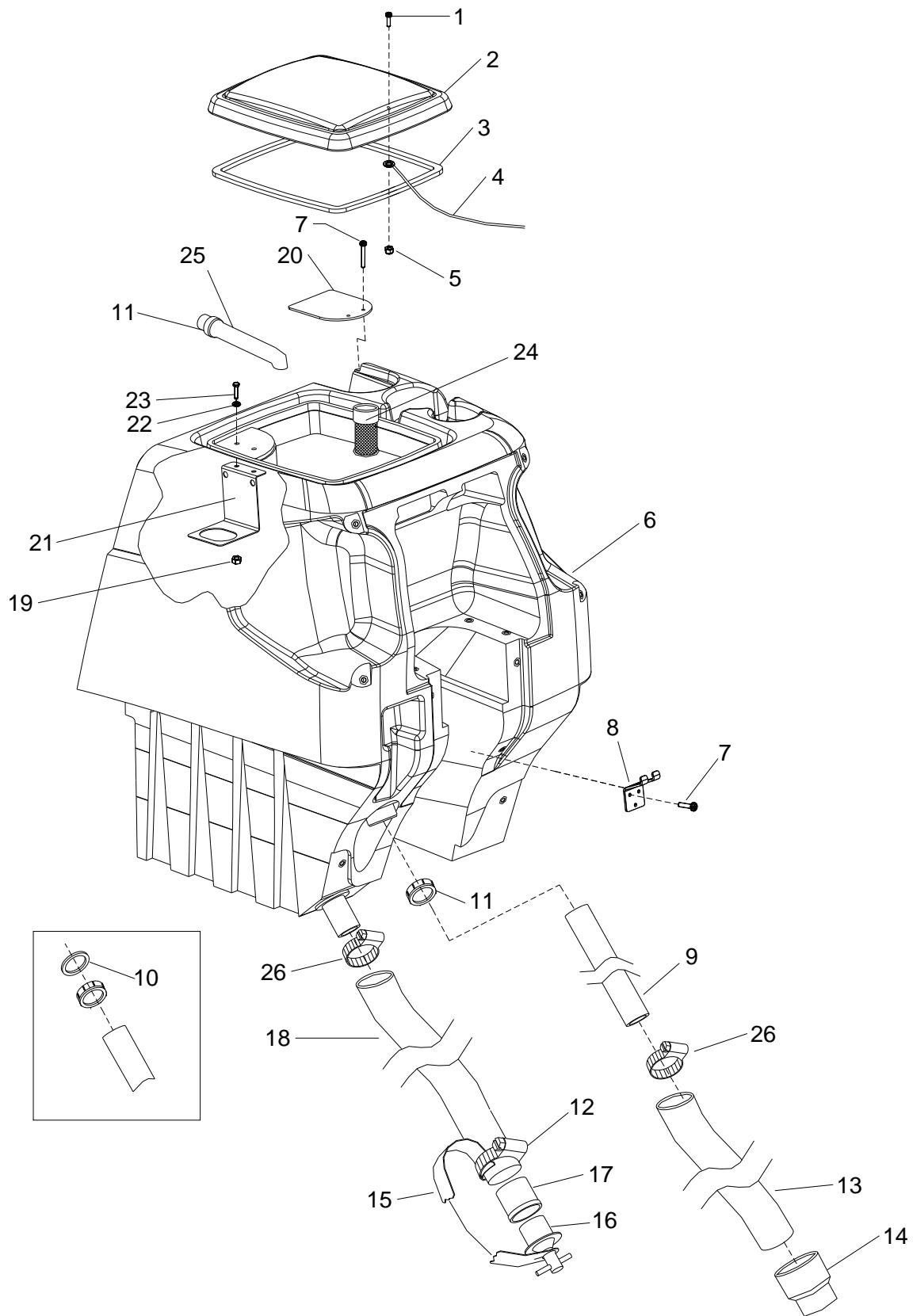
* See Serial Number page



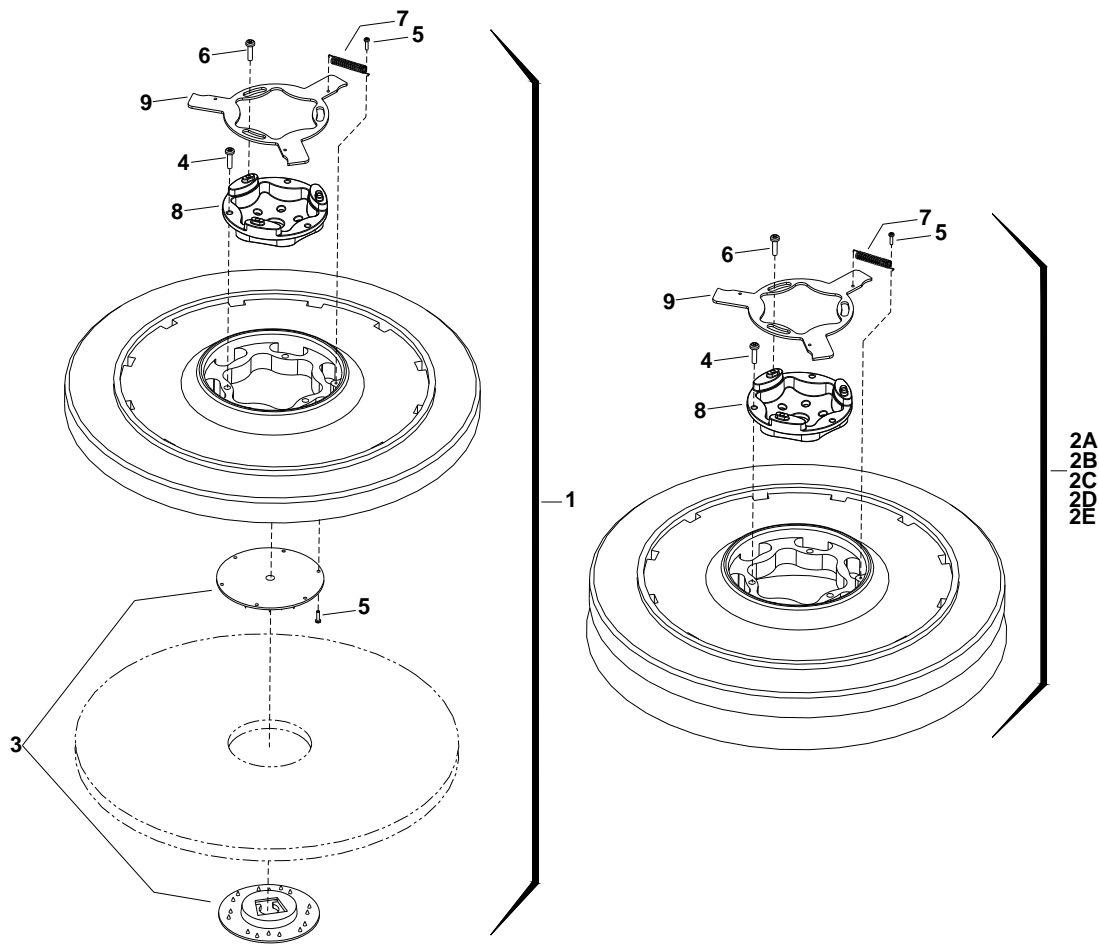
REF	PART NO.	QTY	DESCRIPTION	SERIAL NO. FROM	NOTES
1	86082910	1	PLATE LEVER NOTCH DELUXE 36V		
2	86010670	5	WASHER, 5/16 X .75 X .04 FLT SS		
3	86276780	4	SCREW, 5/16-18 X .75 HHCS SS		
4	86066860	1	BAR, SQG LIFT SWING 36V		
5	86006930	1	SCREW, 5/16-18 X 1 SCHBTNHCS SS		
6	86238360	1	GRIP, 3/16 X 1.0 ORANGE		
7	86259400	1	WASHER, .510 X 1 THR		
8	86228840	1	BUSHING, .314 X .502 X .5 FLG		
9	86271840	1	NUT, 5/16-18 HEXTHIN NYLOCK SS		



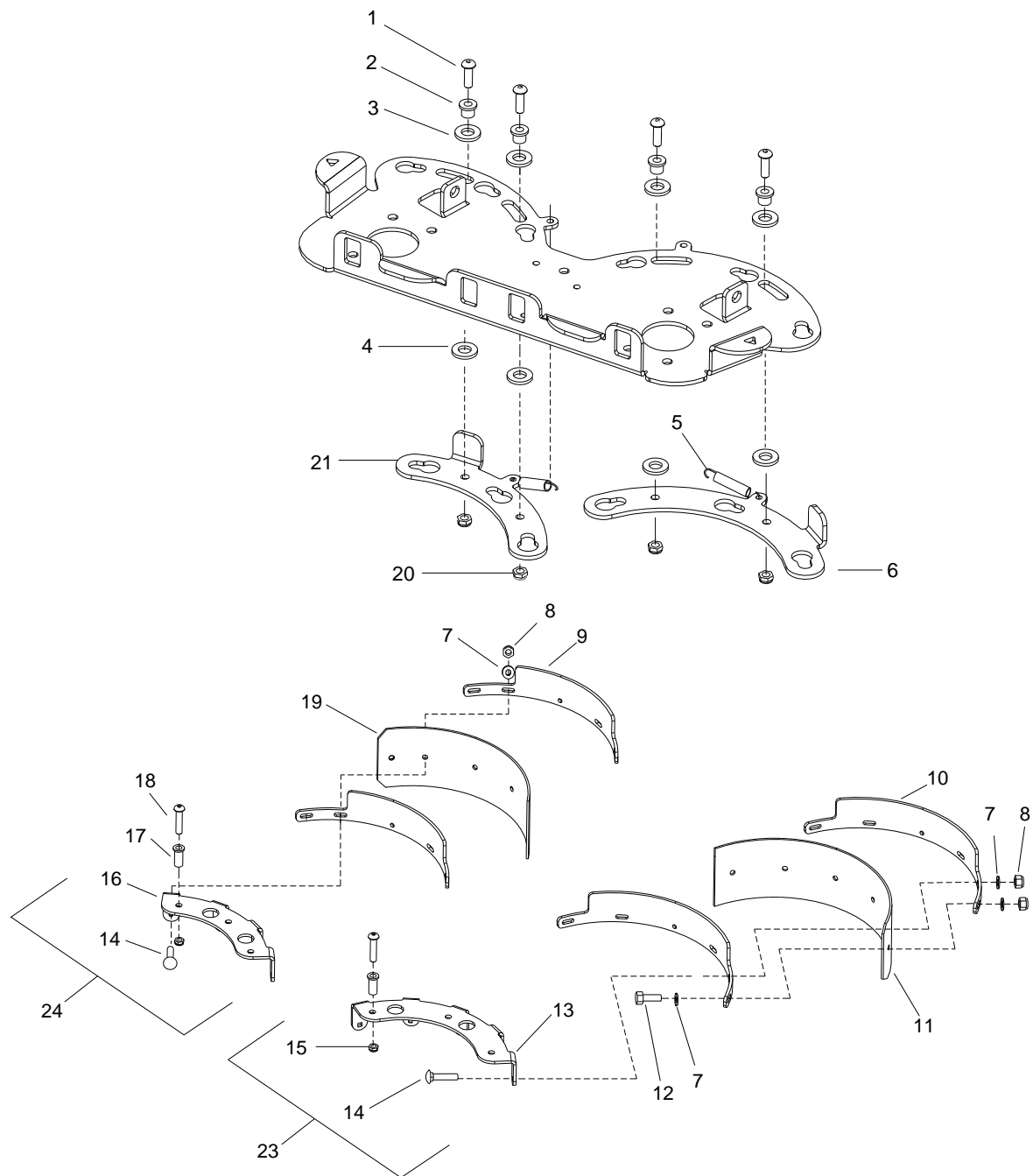
REF	PART NO.	QTY	DESCRIPTION	SERIAL NO. FROM	NOTES
1	86069830	1	BRKT, LEVER, PIVOT BOTTOM 36V		
2	86238430	1	GROMMET 1.00 ID 3/16 GRIP		
3	86276920	2	SCREW, 3/8-16 X 1 HHCS SS NP		
4	86276780	4	SCREW, 5/16-18 X .75 HHCS SS		
5	86010670	5	WASHER, 5/16 X .75 X .04 FLT SS		
6	86082890	1	PLATE, PIVOT TOP		
7	86228840	1	BUSHING, .314 X .502 X .5 FLG		
8	86259400	1	WASHER, .510 X 1 THR		
9	86008650	1	PIN, COTTER RING 1/4 X .041 X .844		
10	86271840	1	NUT, 5/16-18 HEXTHIN NYLOCK SS		
11	86005630	2	NUT, 3/8-16 HEXTHIN NYLOCK SS		
12	86077210	1	LEVER SQG LIFT FIXED 36V		
13	86003240	1	CABLE .125X26.5,0707,SS,LB,E-E		
14	86009560	1	PIN, CLEVIS 1/4 X .625 STL ZNPLT		
15	86007020	1	SCREW, 5/16-18 X 1.25 HHCS SS NP		



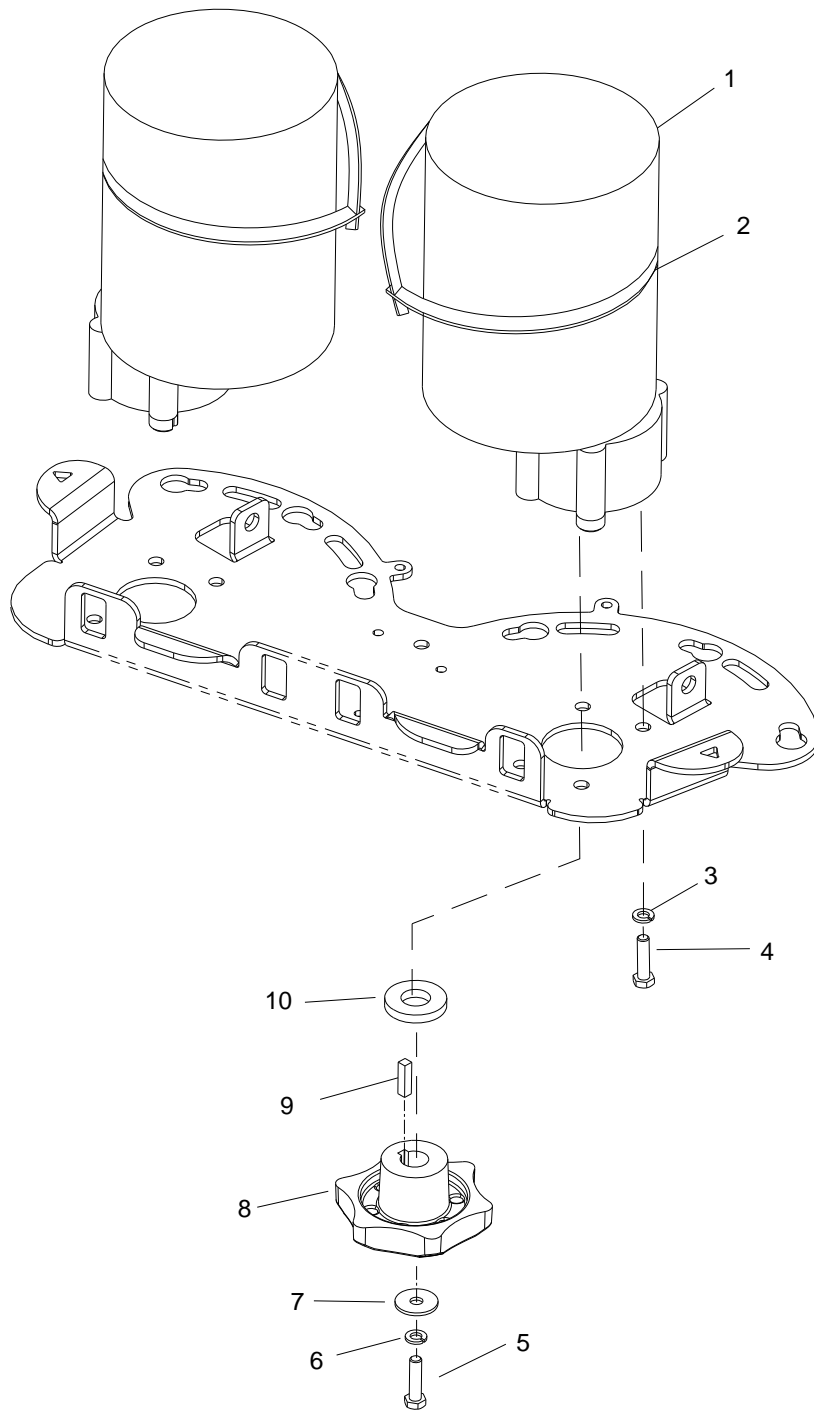
REF	PART NO.	QTY	DESCRIPTION	SERIAL NO. FROM	NOTES
1	86274220	1	SCREW, 6-32 X .625 PHPNHMS SS		
2	86003340	1	DOME, 13 X 11		
3	86003990	1	GASKET, DOME		
4	86246080	1	LANYARD, 18.0 W/LOOP & EYE		
5	86014810	1	NUT, 6-32 ACORN SS		
6	86032560	1	TANK REC, 36V,GRY		
7	86276290	5	SCREW, 10 X .75 PHPNHMS BLK ZNPLT		
8	86001190	1	BRKT, RECOVERY HOSE MTG		
9	86089630	1	TUBE, 1.5 PVC X 24.0		
10	86237650	2	GASKET, 1 1/2 COMPRESSION		
11	86372080	2	NUT 1.5 SLIP JOINT		
12	86002400	1	CLAMP, 2.0" WORM GEAR X .312W		
13	86004180	1	HOSE, 1.5 BLK VAC X 28"		
14	86002840	1	CUFF, 1.5 SLIP X 1.5 HOSE		
15	86008400	1	TETHER, DRAIN PLUG		
16	86006240	1	DRAIN PLUG 1 1/4"		
17	86004450	1	HOSEBARB, 1.5 DOUBLE MCHD		
18	86004260	1	HOSE, 1.5 X 24.0 DRAIN		
19	86271870	2	NUT, 1/4-20 HEXTHIN NYLOCK SS		
20	86075540	1	COVER, VACUUM HOSE		
21	86069780	1	BRKT, VAC INTAKE		
22	86010630	2	WASHER, 1/4 X .625 FLT S		
23	86273810	2	SCREW, 1/4-20 X 1 HHCS SS		
24	86236410	1	FLOAT, VAC SHUT OFF		
25	86257860	1	TUBE, 1.5 WASTE		
26	86233140	2	CLAMP, 2.0" WORM GEAR		



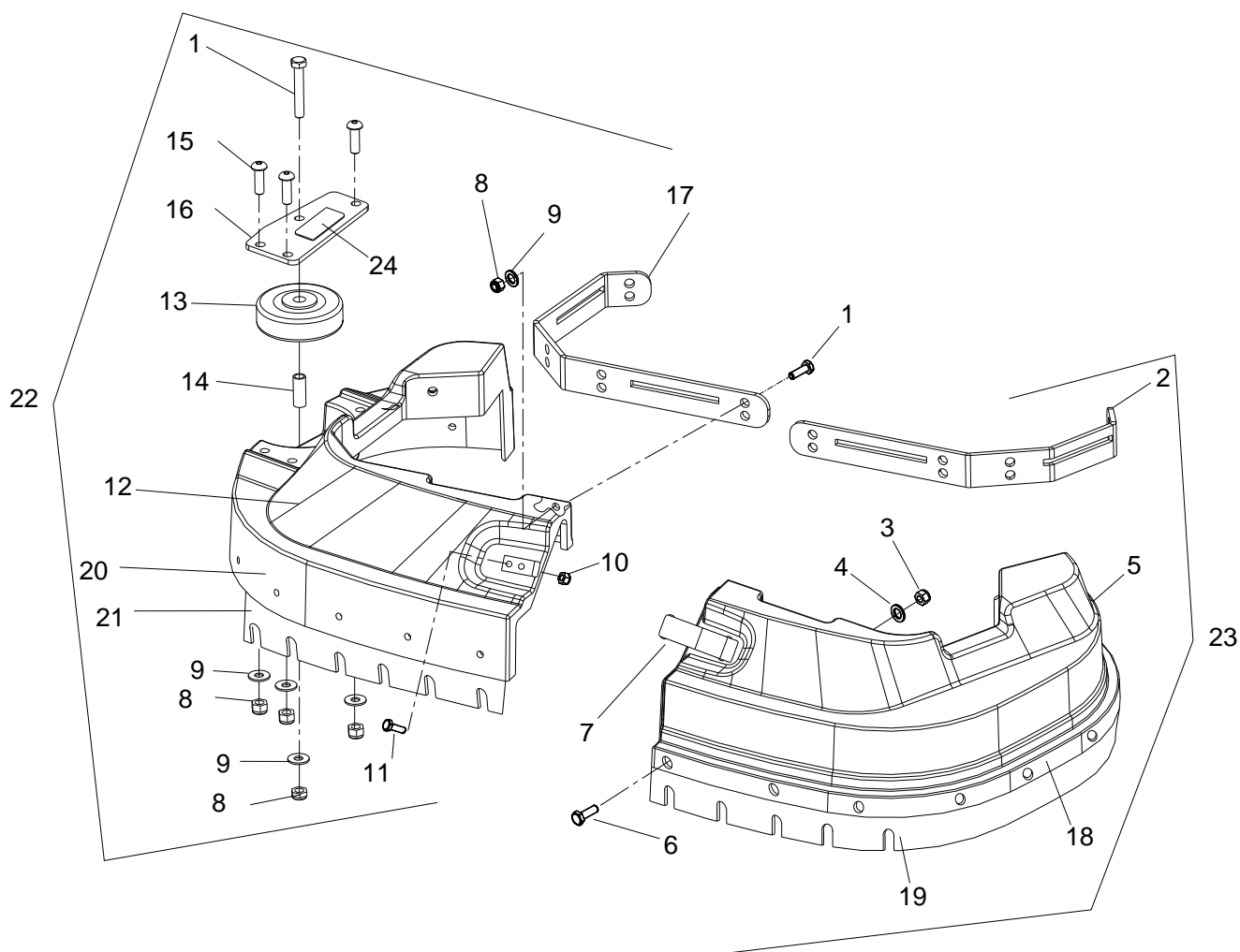
REF	PART NO.	QTY	DESCRIPTION	SERIAL NO. FROM	NOTES
1	86000290	2	PAD DRIVER, 16" SD		
2A	86000300	2	BRUSH, 16" POLYPROPYLENE SD		
2B	86000310	2	BRUSH, 16" NYLON SD		
2C	86000320	2	BRUSH, 16" NYLON POLISH SD		
2D	86000330	2	BRUSH, 16" MILD GRIT SD		
2E	86000340	2	BRUSH, 16" SUPER AGGRESSIVE SD		
3	86005070	1	LOCK, PAD CENTER SNAP, TWO STEP		
4	86276590	3	SCREW, 12-11 X 1 PHPNHSMS SS TYPEA		
5	86276580	4	SCREW, 8-32 X .75 PHTRHMS SS		
6	86276600	3	SCREW, 10-12 X .75 PHTRHSMS SS TYPEA		
7	86007910	1	SPRING EXT .31D X 2.0L X .03W		
8	86007280	1	SOCKET, DRIVE BRUSH		
9	86005940	1	PLATE BRUSH RELEASE		



REF	PART NO.	QTY	DESCRIPTION	SERIAL NO. FROM	NOTES
1	86006930	4	SCREW, 5/16-18 X 1 SCHBTNHCS SS		
2	86228840	4	BUSHING, .314 X .502 X .5 FLG		
3	86259420	4	WASHER, .510 X 1 X .093 THR		
4	86259400	4	WASHER, .510 X 1 THR		
5	86255060	2	SPRING, EXT .43D X2.50L X.047W		
6	86249590	1	PLATE, AQ LOCK LEFT 16 IN		
7	86010630	13	WASHER, 1/4 X .625 FLT SS		
8	86271870	11	NUT, 1/4-20 HEXTHIN NYLOCK SS		
9	86256020	2	STRAP, AQ, BACK, R 16 INCH		
10	86256010	2	STRAP, AQBACK, L 16 INCH		
11A	86001430	1	BLADE, AQ LEFT 16 INCH		
11B	86135160	1	BLADE, AQ LT 16 INCH URETHANE		
12	86273810	2	SCREW, 1/4-20 X 1 HHCS SS		
13	86082870	1	PLATE, AQ ATTACH L, 16"		
14	86276960	9	SCREW, 1/4-20 X 1 CARR SS		
15	86005630	6	NUT, 3/8-16 HEXTHIN NYLOCK SS		
16	86082880	1	PLATE, AQ, ATTACH R 16 IN		
17	86228910	6	BUSHING, .377 X .502 X 1.25 FLG BRZ		
18	86276860	6	SCREW, 3/8-16 X 1.75 SCHBTNHCS SS		
19A	86001420	1	BLADE AQ RIGHT 16 INCH		
19B	86135170	1	BLADE, AQ RT 16 INCH URETHANE		
20	86271840	4	NUT, 5/16-18 HEXTHIN NYLOCK SS		
21	86249600	1	PLATE, AQ LOCK RIGHT 16 IN		
22	86236670	1	FRAME, 36V SCRUB DECK		
23	86024960	-	AQUA-MIZER 32 IN SCRUBHEAD LT		SERVICE ONLY
24	86004700	-	AQUA-MIZER 32IN SCRUBHEAD RT		SERVICE ONLY



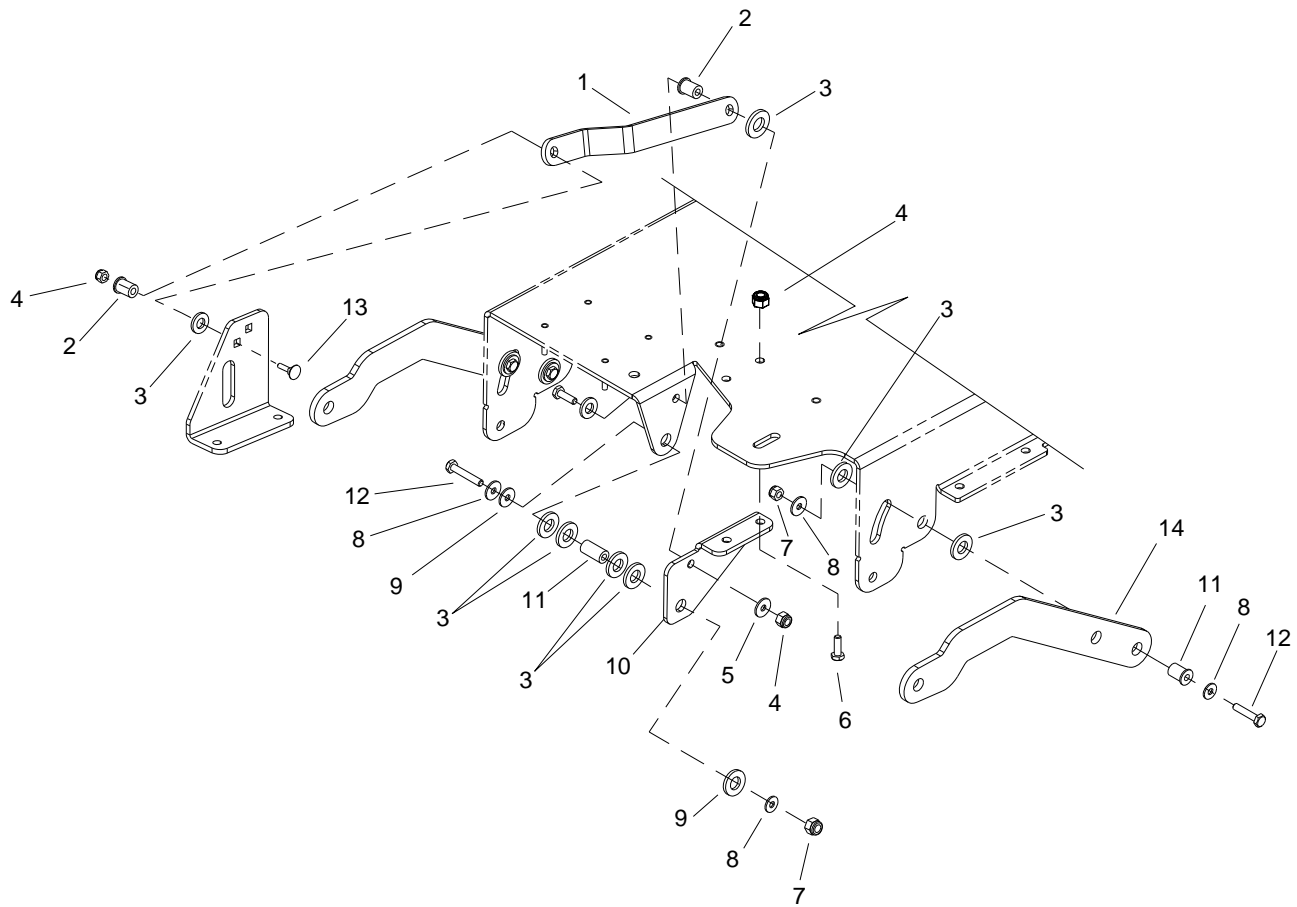
REF	PART NO.	QTY	DESCRIPTION	SERIAL NO. FROM	NOTES
1	86005340	2	MOTOR 36VDC 200RPM 3/4HP GEAR		
1A	86001890	-	BRUSH SET, 53632 ASI		SERVICE ONLY
2	86002830	2	CABLE TIE, .375 X 24.7		
3	86010790	8	WASHER, 3/8 X .680 X .094 SPL STL ZNPLT		
4	86276970	8	SCREW, 3/8-16 X .75 HHCS SS		
5	86007020	2	SCREW, 5/16-18 X 1.25 HHCS SS NP		
6	86279130	2	WASHER, 5/16 X .583 X .078 SPL STL ZNPLT		
7	86279630	2	WASHER, 5/16 X 1.13 X .09 FLT		
8	86003420	2	DRIVER, BRUSH SD		
9	86004810	2	KEY, 1/4 X 1/4 X 1 LCSTL		SUPPLIED W/ MTR
10	86279640	2	WASHER, .780 X 1.63 X .25 FLT YW ZNPLT		



REF	PART NO.	QTY	DESCRIPTION	SERIAL NO. FROM	NOTES
1	86006930	10	SCREW, 5/16-18 X 1 SCHBTNHCS SS		
2	86070050	1	BRKT, SHROUD RETAINER LEFT		
3	86271900	23	NUT, 10-24 HEXTHIN NYLOCK SS	(1*)	
4	86010650	23	WASHER, 10 X .562 X .032 FLT STL PSVT		
5	86062960	1	SHROUD, SCRUB DECK 32 IN LEFT		
6	86277110	23	SCREW, 10-24 X .75 PHPNHMS SS	(1*)	
7	86161800	1	LATCH & CONCEALED KEEPER		
8	86271840	10	NUT, 5/16-18 HEXTHIN NYLOCK SS	(1*)	
9	86292500	10	WASHER, 5/16 X .562 X .063 FLT STL PSVT		
10	86270920	4	NUT, 6-32 HEX NYLOCK SS		
11	86273950	4	SCREW, 6-32 X .5 PHPNHMS SS	(1*)	
12	86062970	1	SHROUD, SCRUB DECK 32 IN RIGHT		
13	86011020	1	WHEEL 3" DIA CUSHION RUBBER		
14	86001350	1	BUSHING, SPANNER, .435 X 1.10		
15	86277150	1	SCREW, 5/16-18 X 2 SCHBTNHCS SS	(1*)	
16	86082950	1	PLATE, BUMPER WHEEL ATTACH	(1*)	
17	86070040	1	BRKT, SHROUD RETAINER RIGHT		
18	86066410	1	BAND, SKIRT LEFT 32 INCH		
19	86007530	1	SKIRT 32 INCH LEFT		
20	86066400	1	BAND, SKIRT RIGHT 32 INCH		
21	86007540	1	SKIRT 32 INCH RIGHT		
22	86004710	-	SHROUD ASM 32" RIGHT SCRUBHEAD		SERVICE ONLY
23	86004720	-	SHROUD ASM 32" LEFT SCRUBHEAD		SERVICE ONLY
24	86244100	1	LABEL, AQUA-MIZER		

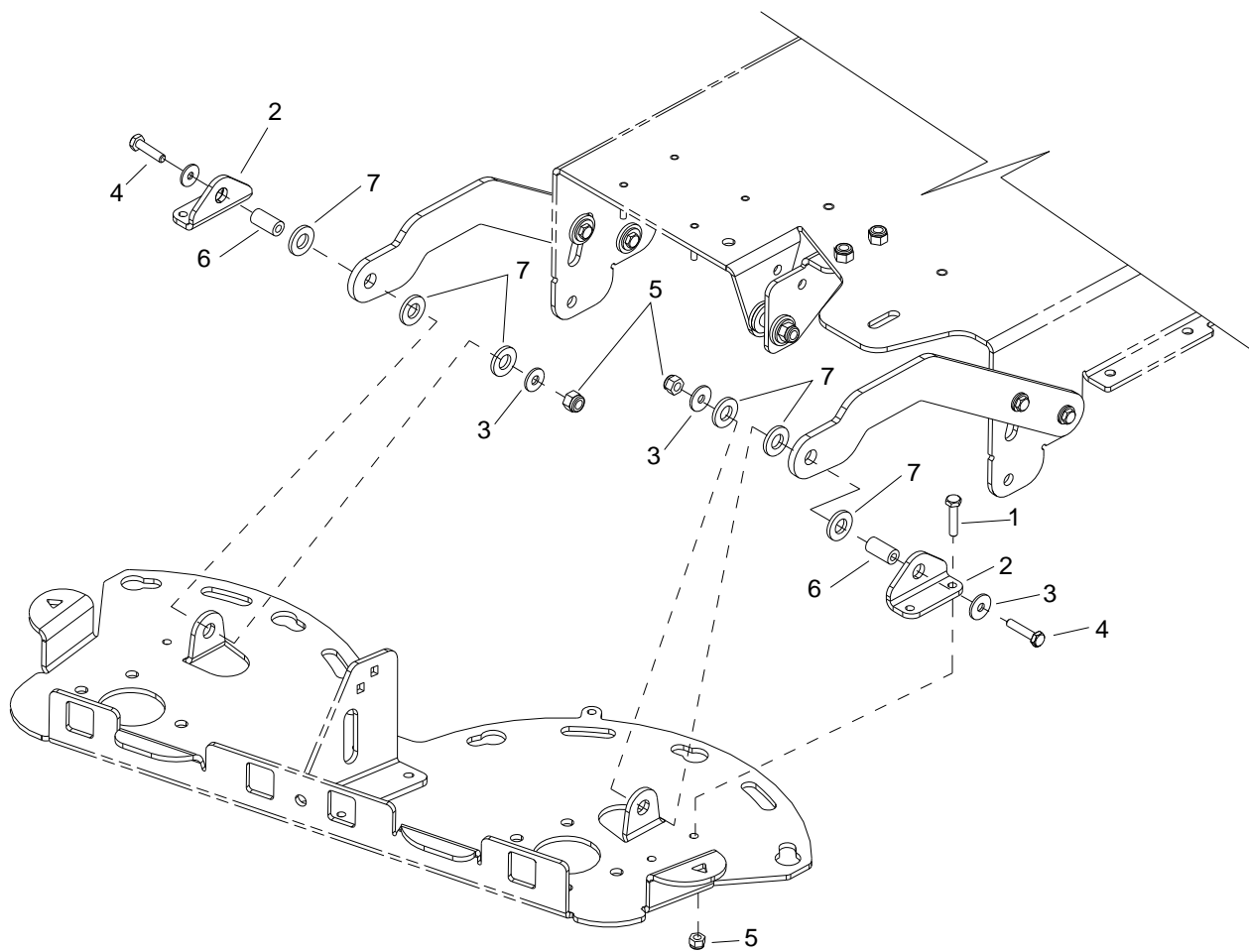
* See Serial Number Page

Scrub Deck Lift Linkage

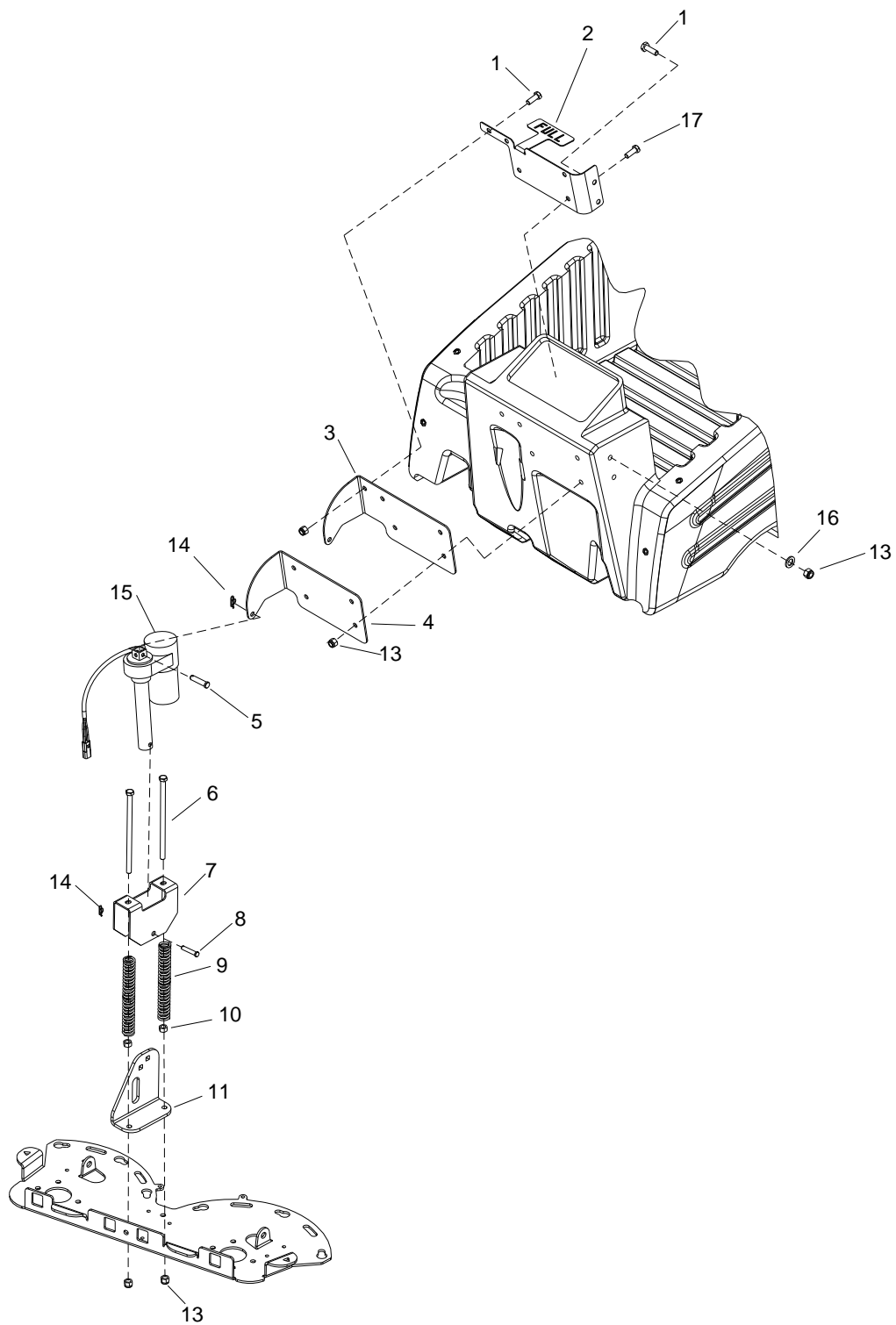


REF	PART NO.	QTY	DESCRIPTION	SERIAL NO. FROM	NOTES
1	86069860	1	BRKT, CENTER LINK 36V		
2	86228840	1	BUSHING, .314 X .502 X .5 FLG		
3	86259400	12	WASHER, .510 X 1 THR		
4	86271840	2	NUT, 5/16-18 HEXTHIN NYLOCK SS		
5	86010670	1	WASHER, 5/16 X .75 X .04 FLT SS		
6	86276780	2	SCREW, 5/16-18 X .75 HHCS SS		
7	86271870	5	NUT, 1/4-20 HEXTHIN NYLOCK SS		
8	86010630	17	WASHER, 1/4 X .625 FLT SS		
9	86259410	2	WASHER, .510 X 1 X .063 THR		
10	86070010	1	BRKT, FRAME MOUNT 36V		
11	86228920	5	BUSHING, .252 X .503 X 1 BRZ		
12	86273740	5	SCREW, 1/4-20 X 1.5 HHCS SS		
13	86197150	1	SCREW, 5/16-18 X 1.25 ELEVATOR STL ZNPLT		
14	86066850	2	BAR, LINKAGE RIGHT		

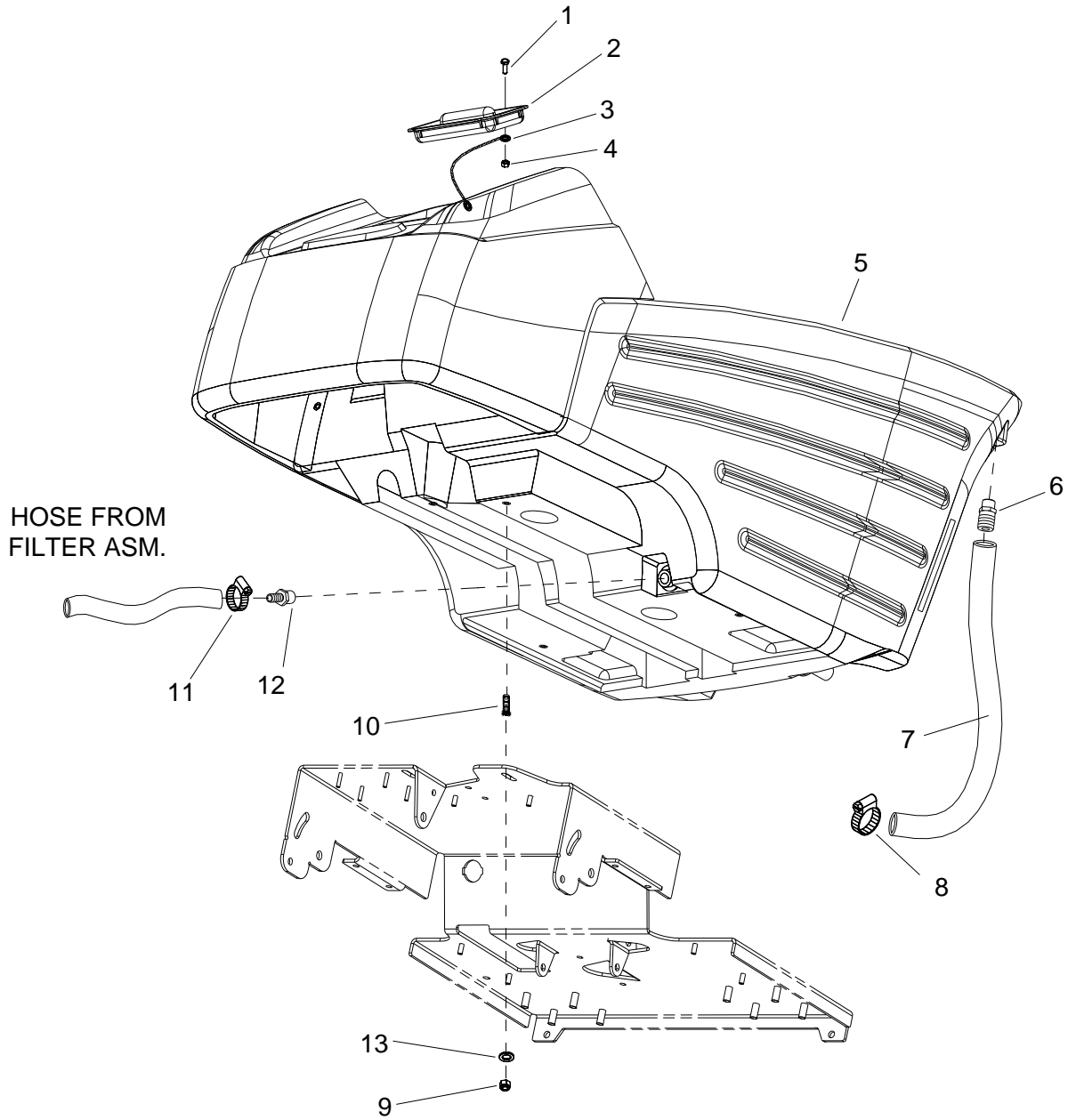
Scrub Deck Lift Linkage



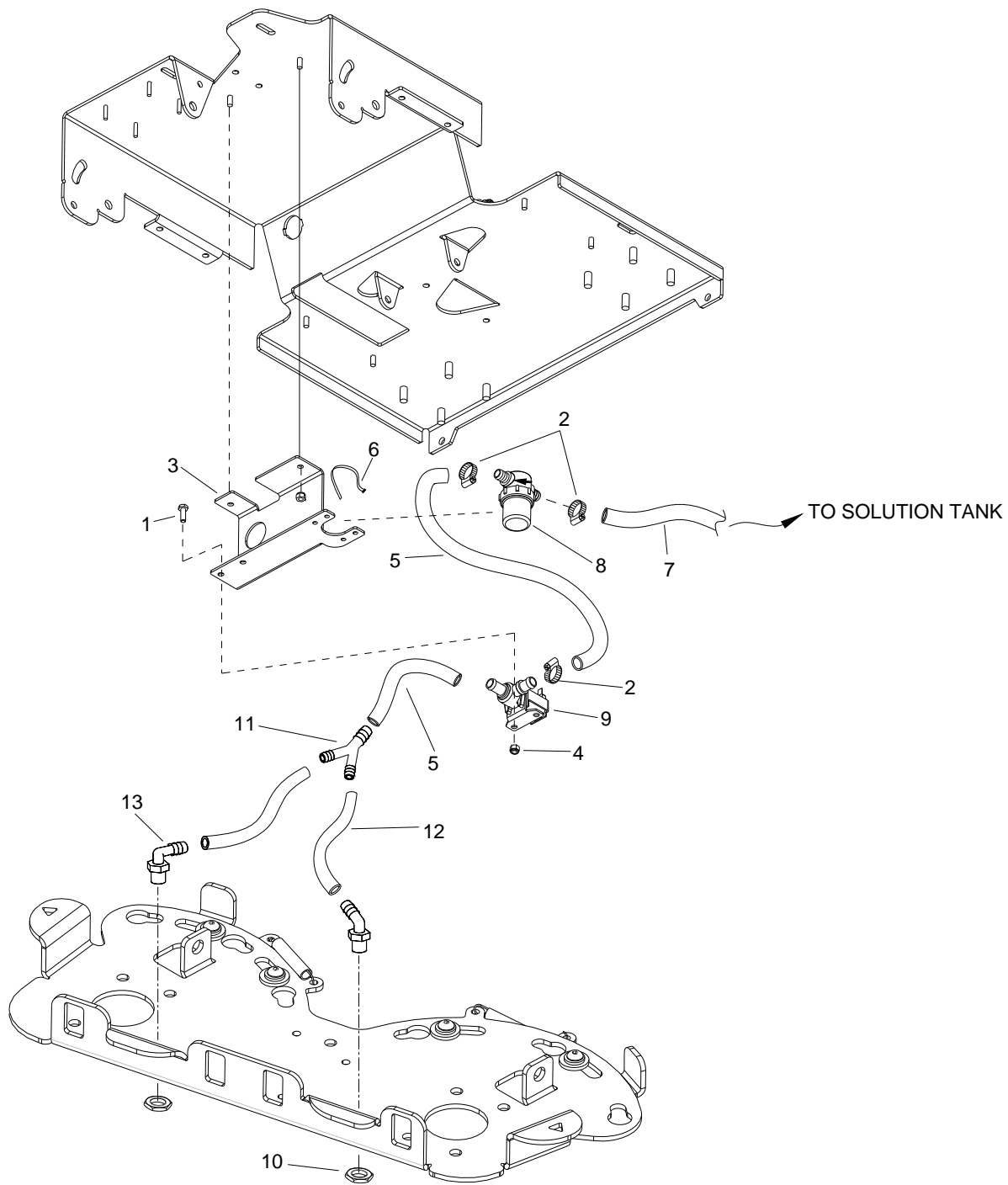
REF	PART NO.	QTY	DESCRIPTION	SERIAL NO. FROM	NOTES
1	86273780	4	SCREW, 1/4-20 X .75 HHCS SS NP		
2	86070030	2	BRKT, ANGLE SUPPORT 36V		
3	86010630	4	WASHER, 1/4 X .625 FLT SS		
4	86273740	2	SCREW, 1/4-20 X 1.5 HHCS SS		
5	86271870	6	NUT, 1/4-20 HEXTHIN NYLOCK SS		
6	86228920	2	BUSHING, .252 X .503 X 1 BRZ		
7	86259400	6	WASHER, .510 X 1 THR		



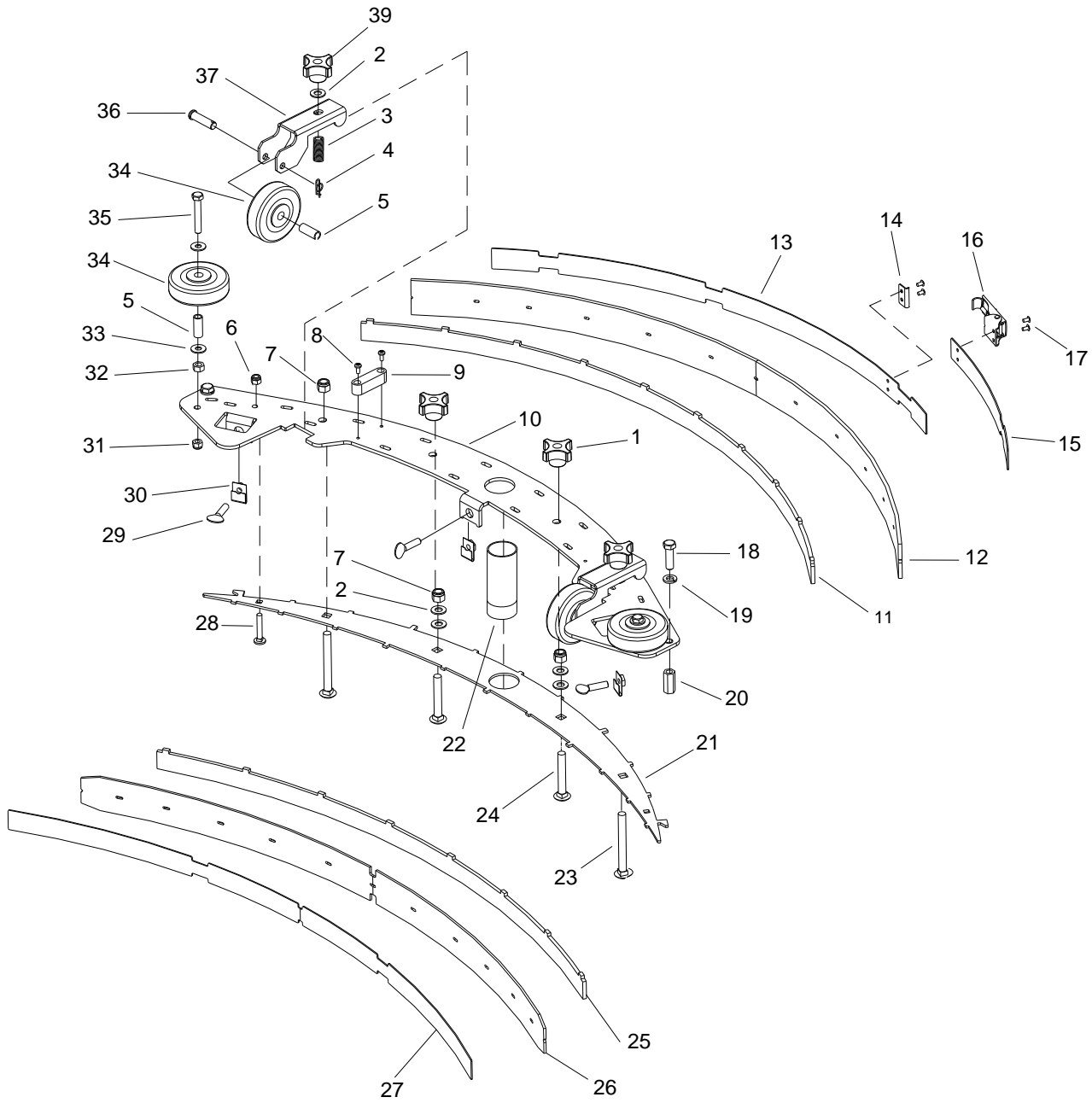
REF	PART NO.	QTY	DESCRIPTION	SERIAL NO. FROM	NOTES
1	86276920	5	SCREW, 3/8-16 X 1 HHCS SS NP		
2	86070090	1	BRKT, SOLUTION FILL 36V		
3	86069800	1	BRKT, ACTUATOR, BACK 36V		
4	86069810	1	BRKT, ACTUATOR, FRONT 36V		
5	86272410	1	PIN, CLEVIS 3/8 X 1.625 STL ZNPLT		
6	86277010	2	SCREW, 3/8-16 X 7 HHCS SS		
7	86068130	1	BRACKET, ACTUATOR TUBE		
8	86248970	1	PIN, CLEVIS 3/8 X 2 STL ZNPLT		
9	86254910	2	SPRING, COMP .89 OD X 6.13L		
10	86005730	2	NUT, 3/8-16 HEX STL GRA ZNPLT		
11	86069770	1	BRKT, DECK MOUNT		
12	86276970	2	SCREW, 3/8-16 X .75 HHCS SS		
13	86005630	9	NUT, 3/8-16 HEXTHIN NYLOCK SS		
14	86008670	2	COTTER, 3/8" RING		
15	86011940	1	ACTUATOR, 36VDC 5.0 STRK	*	WAS 05124
16	86279590	2	WASHER, 3/8 SEG STL GALV		WAS 87003



REF	PART NO.	QTY	DESCRIPTION	SERIAL NO. FROM	NOTES
1	86273950	1	SCREW, 6-32 X .5 PHPNHMS SS		
2	86234790	1	COVER, CLP SOLUTION		
3	86246080	1	LANYARD, 18.0 W/ LOOP & EYE		
4	86014810	1	NUT, 6-32 ACORN SS		
5	86032550	1	TANK SOL, 36V, BLU		
6	86240460	1	HOSEBARB 1/2MPT X 1.0 HOSE		
7	86282150	1	HOSE 1IDX12WCLR28"		
8	86233110	1	CLAMP, 1.0" WORM GEAR		
9	86271840	4	NUT, 5/16-18 HEXTHIN NYLOCK SS		
10	86276380	4	SCREW, 5/16-18 X 1.25 SCHSET CP SS		
11	86233150	1	CLAMP, 3/8 HOSE (D-SLOT)		
12	86197910	1	HOSEBARB, 1/2 MPT X 1/2 POLY DL		
13	86010670	4	WASHER, 5/16 X .75 X .04 FLT SS		



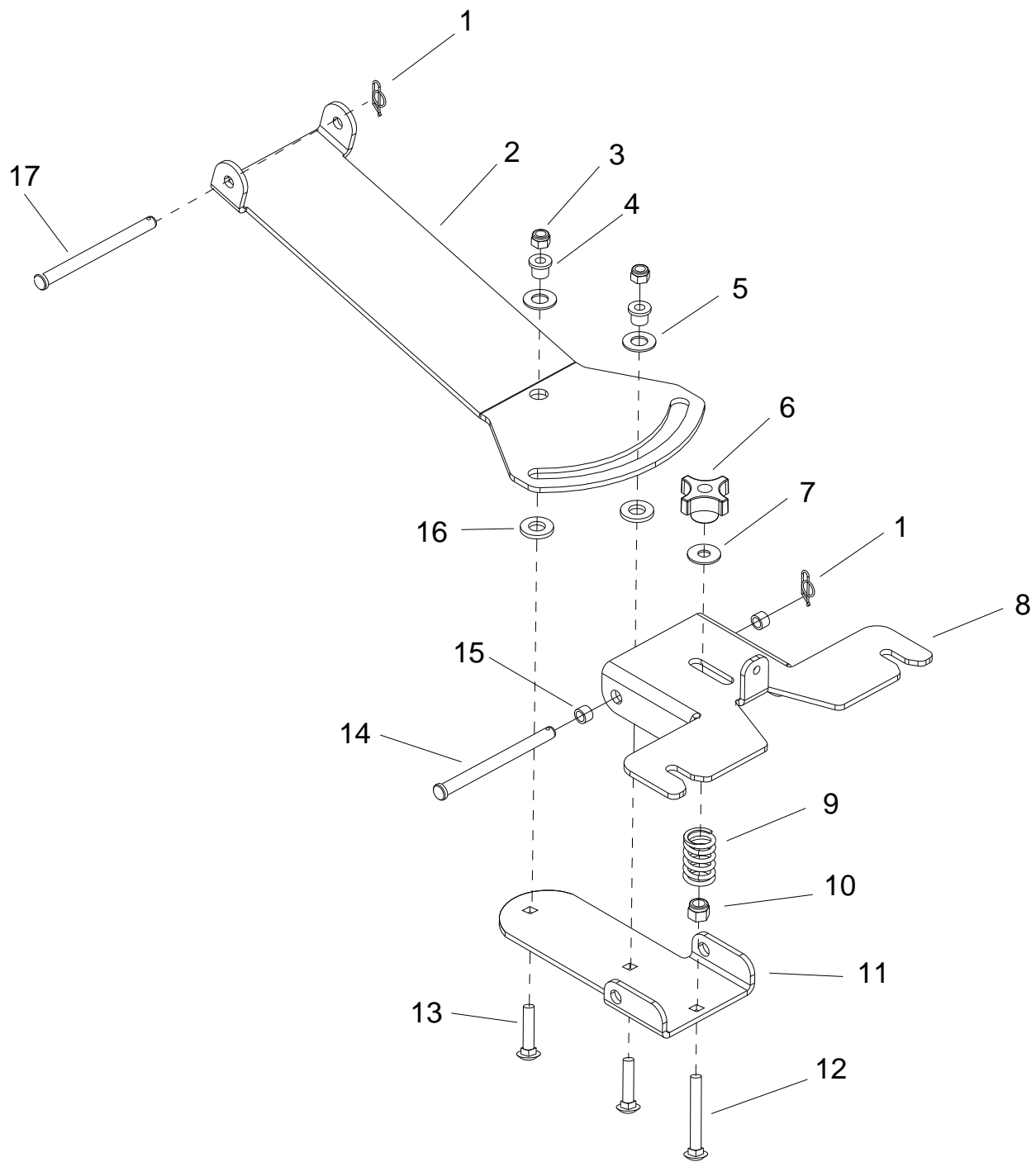
REF	PART NO.	QTY	DESCRIPTION	SERIAL NO. FROM	NOTES
1	86273750	2	SCREW, 1/4-20 X .625 HHCS SS NP		
2	86233150	3	CLAMP, 3/8 HOSE (D-SLOT)		
3	86070020	1	BRKT, FLTR/SOLND MOUNT 36V		
4	86271870	4	NUT, 1/4-20 HEXTHIN NYLOCK SS		
5	86281100	1	HOSE 1/2 ID WIRE BOUND 7"		
6	86264940	2	CABLE TIE, 11.38" UL/CSA		
7	86282190	1	HOSE, 1/2ID WIRE BOUND X 13"		
8	86007560	1	STRAINER, 1/2 HOSE 20 MESH		
-	86005870	-	O-RING SEAL FILTER SEAL RON-VIK		SERVICE ONLY
-	86007750	-	SCREEN, 20 MESH STRAINER SCRBR		SERVICE ONLY
-	86313160	-	CAP, STRAINER SHORT		SERVICE ONLY
9	86009710	1	VALVE, 36VDC SOL 1/2" HOSEBARB		
-	86003460	-	PROTECTION PART SRVC PART SLND		SERVICE ONLY
-	86136820	-	SERVICE SLND SPRG KIT		SERVICE ONLY
10	86271830	2	NUT, 3/8-16 LK NYL BLK		
11	86003580	1	FITTING, 1/2"X3/8~X3/8~ RED. T		
12	86280820	2	HOSE 3/8ID NYLOBRD X 10"		
13	86001550	2	HOSEBARB, 3/8MPT X3/8 90D		
14	86240280	1	HOSE, 1/2ID WIRE BOUND X 8"		



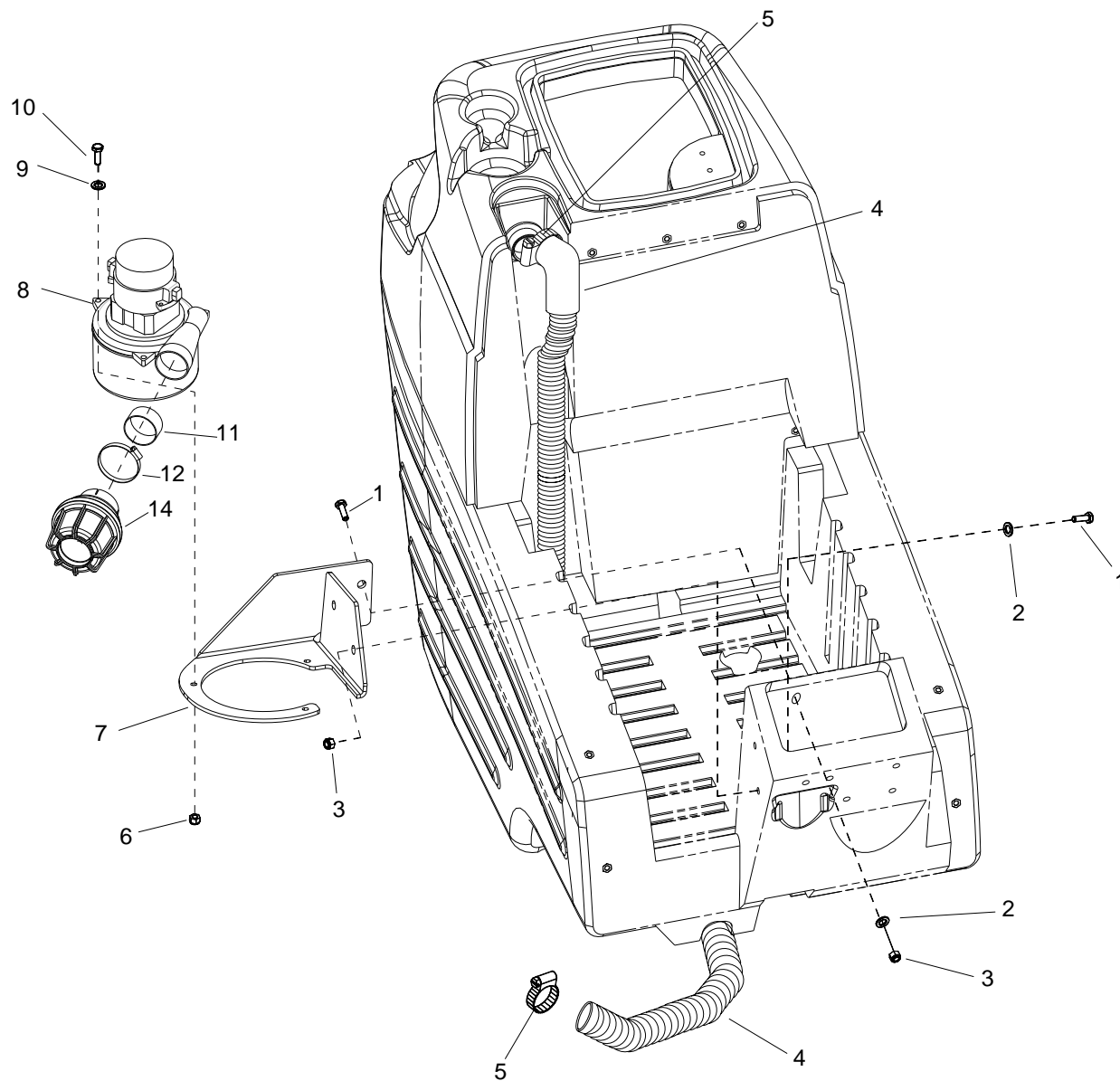
REF	PART NO.	QTY	DESCRIPTION	SERIAL NO. FROM	NOTES
1	86009200	2	KNOB, 3/8-16 4 PRONG ALUM	(2*)	
2	86010680	6	WASHER, 3/8 FLT NYL		
3	86007780	2	SPRING COMP .60D X2.0L X.045W		
4	86008660	2	COTTER 5/16" RING		
5	86001350	4	BUSHING, SPANNER .435 X 1.10		
6	86271870	2	NUT, 1/4-20 HEXTHIN NYLOCK SS		
7	86005630	4	NUT, 3/8-16 HEXTHIN NYLOCK SS		
8	86274130	2	SCREW, 8-32 X .375 PHPNHTC		
9	86009910	1	VIAL, LEVEL		
10	86082460	1	PLATE, SQUEEGEE TOP 40"		
11	86082480	1	PLATE, SQG REAR 40"		
12A	86007490	1	SQUEEGEE, REAR BLADE, LINTEX		
13B	86137040	1	STRIPPER BLADE REAR URETHANE		
13	86066360	1	BAND, REAR SQUEEGEE		
14	86009180	1	STRIKER, SQUEEGEE STRAP REAR		
15	86001330	1	BAND, SQUEEGEE REAR (S)		
16	86009170	1	LATCH, SQUEEGEE STRAP		
17	86006400	4	RIVET, 5/32 X .062-.125GL POP AL		
18	86276920	2	SCREW, 3/8-16 X 1 HHCS SS NP		
19	86010790	2	WASHER, 3/8 X .680 X .094 SPL STL ZNPLT		
20	86005840	2	NUT, 3/8-16 CPL SS		
21	86082490	1	PLATE, SQUEEGEE BOTTOM 40"		
22	86008390	1	TUBE ASM, SQUEEGEE VAC		
23	86276990	2	SCREW, 3/8-16 X 3.5 CARR SS		
24	86276870	2	SCREW, 3/8-16 X 2.5 CARR SS		
25	86082470	1	PLATE, SQG FRONT 40" SPACER		
26A	86009830	1	SQUEEGEE FRONT BLATT LINATEX		
26B	86137050	1	STRIPPER BLADE FRONT URETHANE		
27	86066350	1	BAND, SQUEEGEE FRONT		
28	86277000	2	SCREW, 1/4-20 X 1.5 CARR SS		
29	86007040	3	SCREW, 5/16-18 X 1 THUMB SS		
30	86271820	3	NUT, 5/16-18 X .028-.056PR CAGE		
31	86271840	2	NUT, 5/16-18 HEXTHIN NYLOCK SS		
32	86005650	2	NUT, 5/16-18 HEX STL ZNPLT		
33	86010670	4	WASHER, 5/16 X .75 X .04 FLT SS		
34	86011020	4	WHEEL 3" DIA CUSHION RUBBER		
35	86276980	2	SCREW, 5/16-18 X 2 HHCS SS		
36	86006270	2	PIN, CLEVIS 5/16 X 1.625 STL ZNPLT		
37	86069870	2	BRKT, SQG WHEEL		
38	86026540	-	SQUEEGEE ASM, 32 IN SCRUBHEAD		SERVICE ASM
39	86004890	2	KNOB, ALUM 3/8-16 NYLOCK NUT SS	(2*)	

* See Serial Number Page

Squeegee Lift Linkage (Lower)

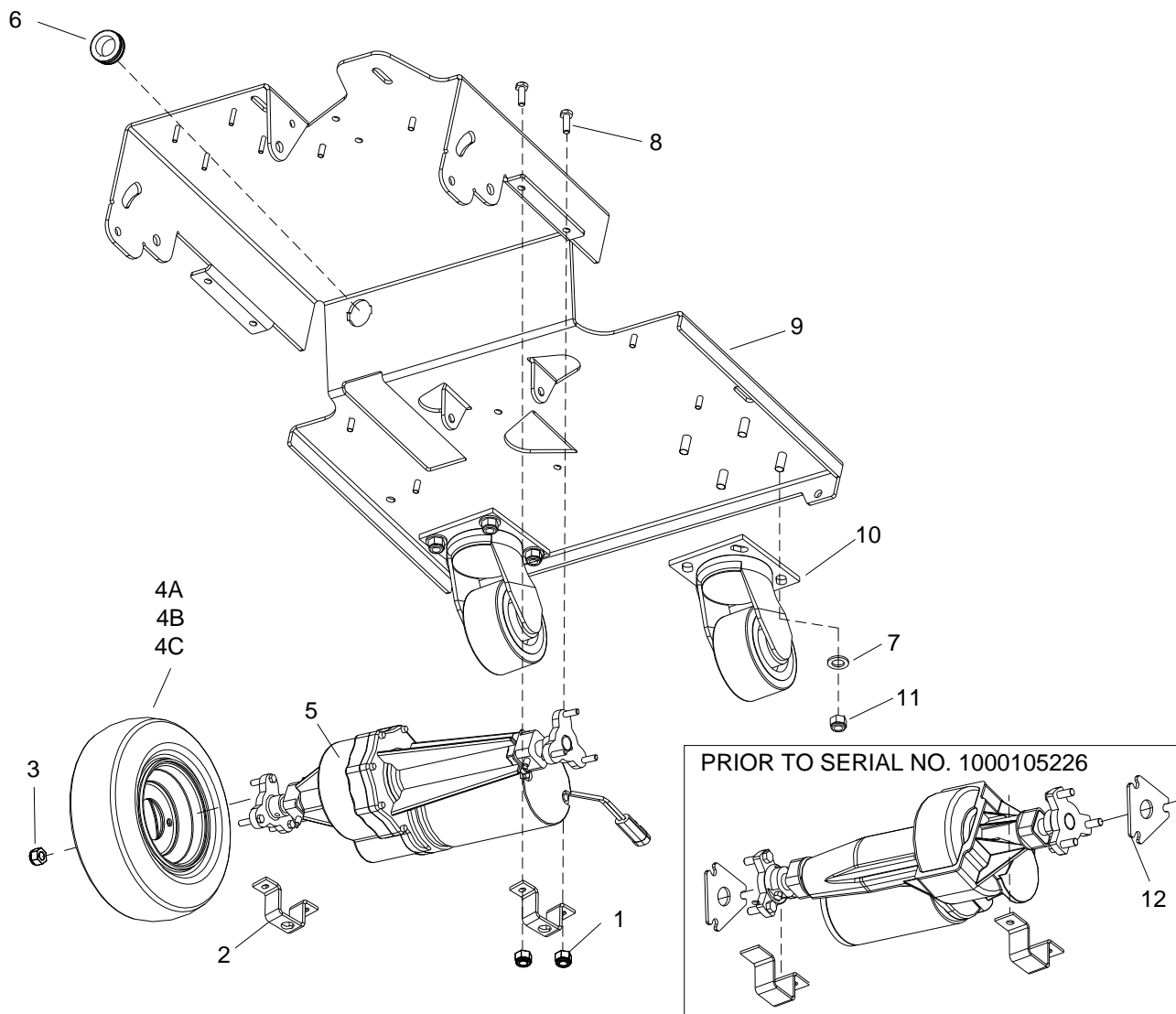


REF	PART NO.	QTY	DESCRIPTION	SERIAL NO. FROM	NOTES
1	86008670	2	COTTER 3/8" RING		
2	86069450	1	BRKT, SQG PIVOT LIFT		
3	86271840	2	NUT, 5/16-18 HEXTHIN NYLOCK SS		
4	86228840	2	BUSHING, .314 X .502 X .5 FLG		
5	86259420	2	WASHER, .510 X 1 X .093 THR		
6	86009200	1	KNOB, 3/8-16 4 PRONG ALUM		
7	86279510	1	WASHER, 3/8 X 1 X .083 FLT STL ZNPLT		
8	86082150	1	PLATE, SQUEEGEE MOUNT		
9	86007270	1	SPRING COMP 1.100DX2.0LX.148W		
10	86005630	1	NUT, 3/8-16 HEXTHIN NYLOCK SS		
11	86072530	1	BRKT, CAMBER PIVOT		
12	86276870	1	SCREW, 3/8-16 X 2.5 CARR SS		
13	86277130	2	SCREW, 5/16-18 X 1 CARR SS		
14	86249060	1	PIN, CLEVIS 3/8 X 4.625 STL ZNPLT		
15	86008870	2	BUSHING, 3/8 X .688 FLG		
16	86259400	2	WASHER, .510 X 1 THR		
17	86008860	1	PIN, CLEVIS 3/8 X 5.5 STL ZNPLT		

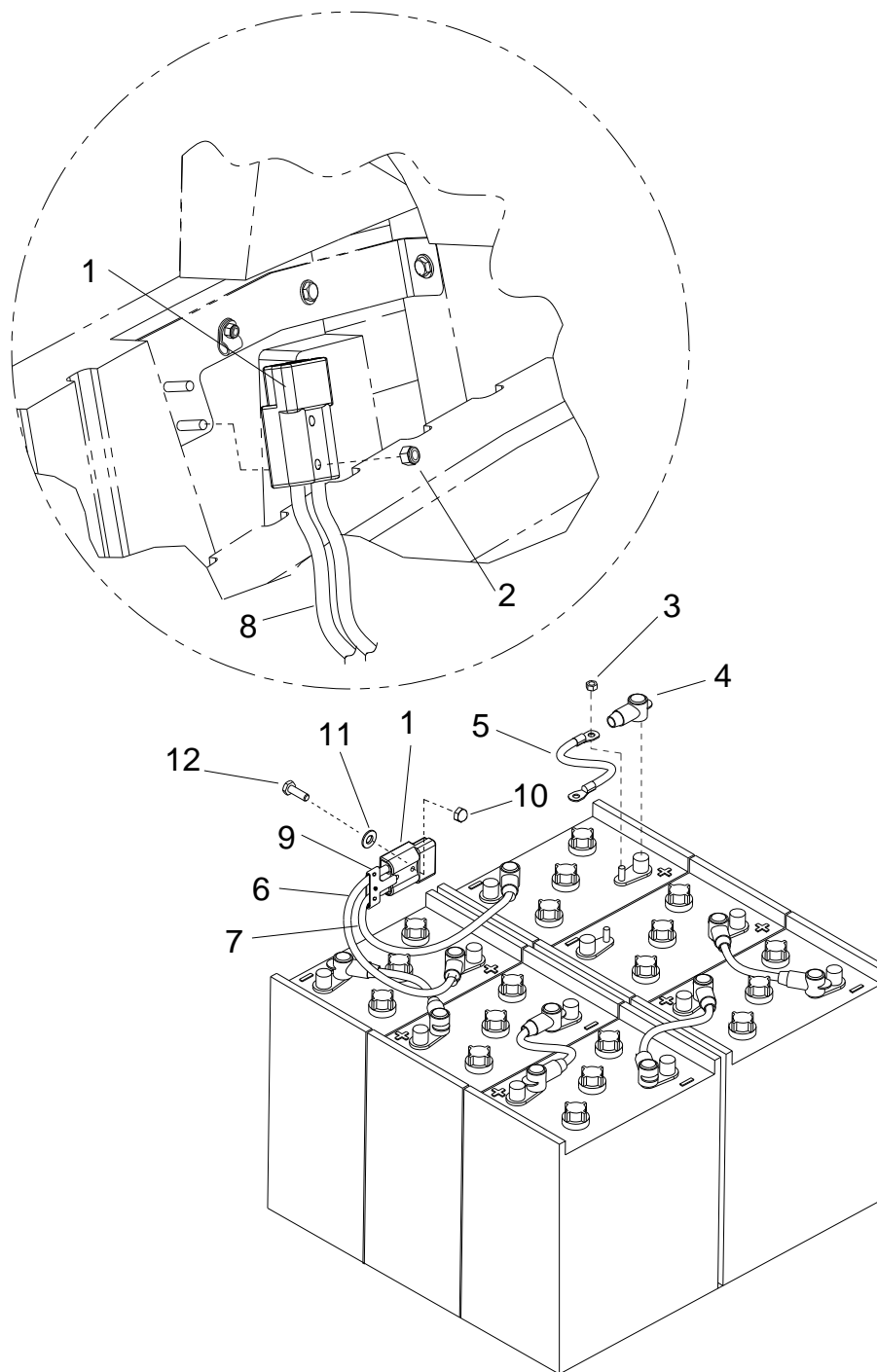


REF	PART NO.	QTY	DESCRIPTION	SERIAL NO. FROM	NOTES
1	86276970	3	SCREW, 3/8-16 X .75 HHCS SS		
2	86278910	3	WASHER, 3/8 X .875 X .05 FLT SS		
3	86005630	3	NUT, 3/8-16 HEXTHIN NYLOCK SS		
4	86001620	1	HOSE ASSEMBLY 1.5 BLK VAC X 67		
5	86002400	2	CLAMP, 2.0" WORM GEAR X .312W		
6	86271870	3	NUT, 1/4-20 HEXTHIN NYLOCK SS		
7	86069820	1	BRKT, VACUUM MOUNT, 36V		
8	86005450	1	VAC MOTOR ASM, 36VDC 3 STAGE		
-	86230800	1	BRUSH SET, 36V 3ST VAC AMETEK		SERVICE ONLY
-	86326980	1	BRUSH SET 24/36V VAC WINDSOR		SERVICE ONLY
9	86010630	3	WASHER, 1/4 X .625 FLT SS		
10	86273810	3	SCREW, 1/4-20 X 1 HHCS SS		
11	86091170	1	TUBE, 2.0 OD X 1.0L		
12	86233430	1	CLAMP 2.50 WORM GEAR		
13	OPEN	-	-		
14	86064910	1	MUFFLER, VAC MOTOR	(4*)	

* See Serial Number Page

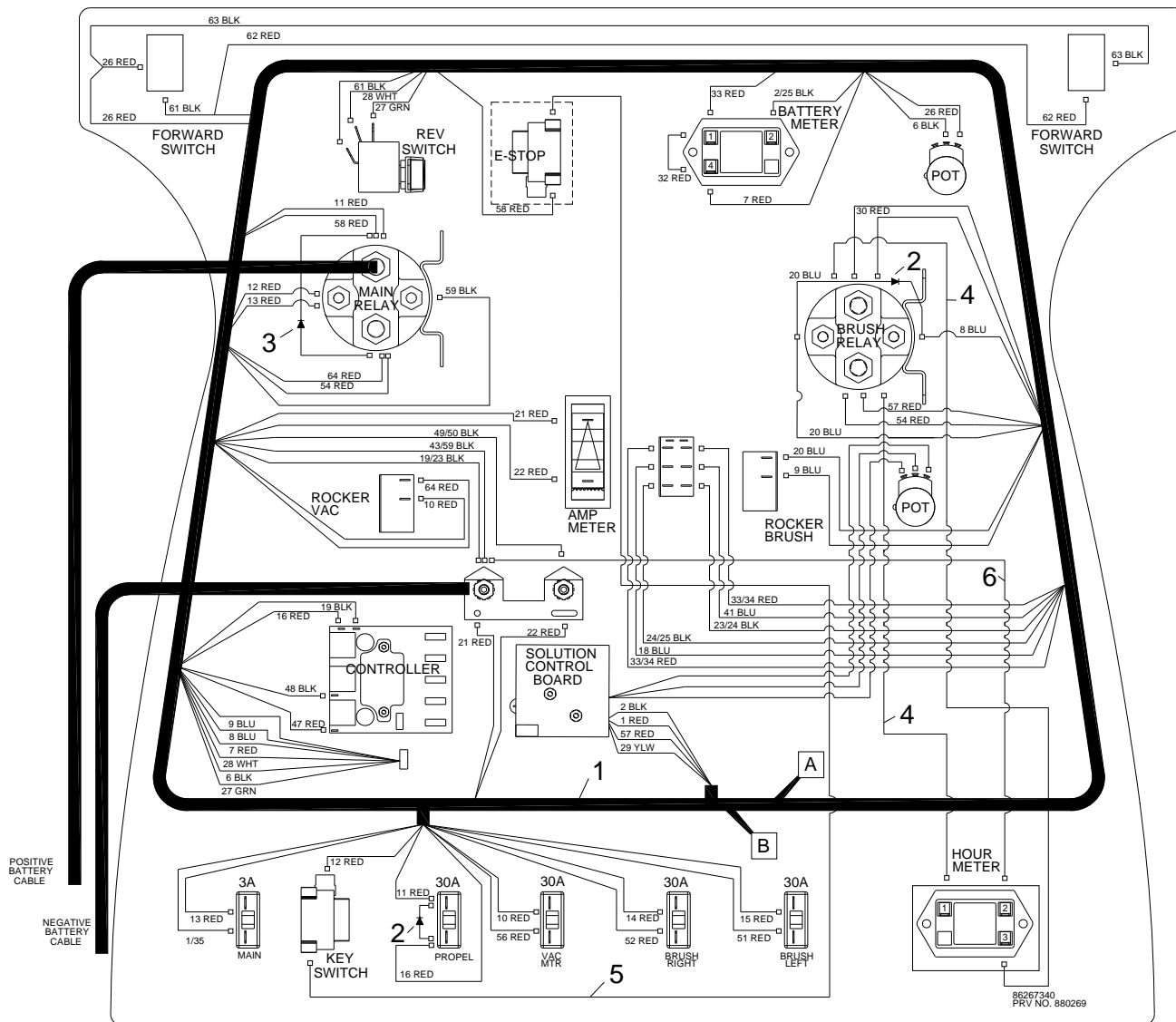
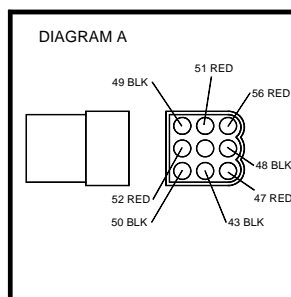
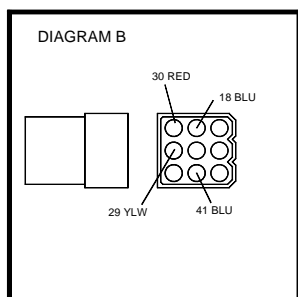


REF	PART NO.	QTY	DESCRIPTION	SERIAL NO. FROM	NOTES
1	86271840	4	NUT, 5/16-18 HEXTHIN NYLOCK SS		
2	86215770	2	BRKT, TRANSAXLE MOUNT 36V		
3	86010090	6	NUT, 7/16-20 WHL STL ZNPLT		
4A	86010370	2	WHEEL ASM, 12" FMFL BLK KNOBBY		
4B	86137410	-	WHEEL ASM, 12" SOLID SCBR CMPD		OPTIONAL
4C	86090640	-	WHEEL ASM, 12" FMFL N-MARKING		OPTIONAL (STANDARD ON BSCSCX326)
5	86000770	1	AXLE, MOTOR DRIVE 36VDC		
-	86001360	-	BRUSH SET, CCL MOTORS		SERVICE ONLY
-	86135870	-	HUB KIT, TRANSAXLE 8.600-077.0		SERVICE ONLY
6	86238430	1	GROMMET 1.00 ID 3/16 GRIP		
7	86087270	2	SPACER, TRANSAXLE 36V		SERVICE ONLY
8	86006560	4	SCREW, 5/16-18 X 1 HHCS SS NP		
9	86236660	1	FRAME, MAIN 36 VOLT		
10	86002310	2	CASTER, 4DIA X 2 W X 3.56 R		
11	86270880	8	NUT, 3/8-16 SERFLG STL ZNPLT		



REF	PART NO.	QTY	DESCRIPTION	SERIAL NO. FROM	NOTES
1	86008760	1	CONNECTOR 175 DCA GRY W/O TERMS		
2	86271870	2	NUT, 1/4-20 HEXTHIN NYLOCK SS		
3	86271910	8	NUT, 5/16-18 FLEX LK STL GRA CDPLT		
4	86008920	8	BOOT, RUBBER TERM. ISOLATOR		
5	86009000	3	WIRE, 4 X 9.5 BK 5/16 RING X 5/16 RING		
6	86010850	1	WIRE, 4X20RD CTERM X 5/16RING		
7	86010860	1	WIRE, 4X20 BK CTERM X5/16RING		
8	86260520	2	WIRE, 4X67 BK CTERM X 5/16RING		
9	86233360	1	CLAMP, CABLE KIT		
10	86270890	1	NUT, 10-32 ACORN STL NKLPLT		
11	86010650	1	WASHER, 10 X .562 X .032 FLT STL PSVT		
12	86273980	1	SCREW, 10-32 X .75 PHPNHMS SS		

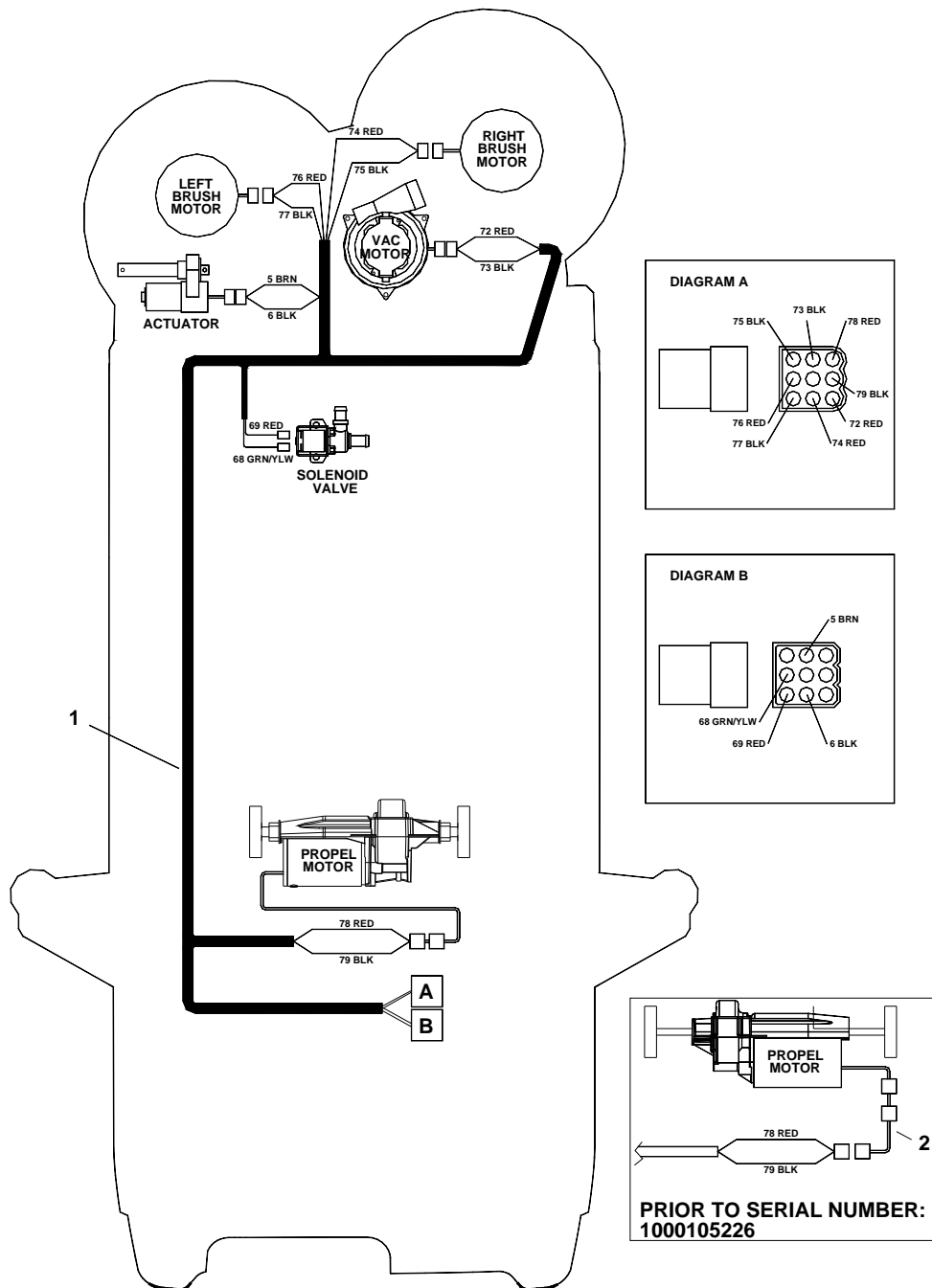
Wiring Group-Control Panel



INDICATES OPTIONAL ACCESSORY.

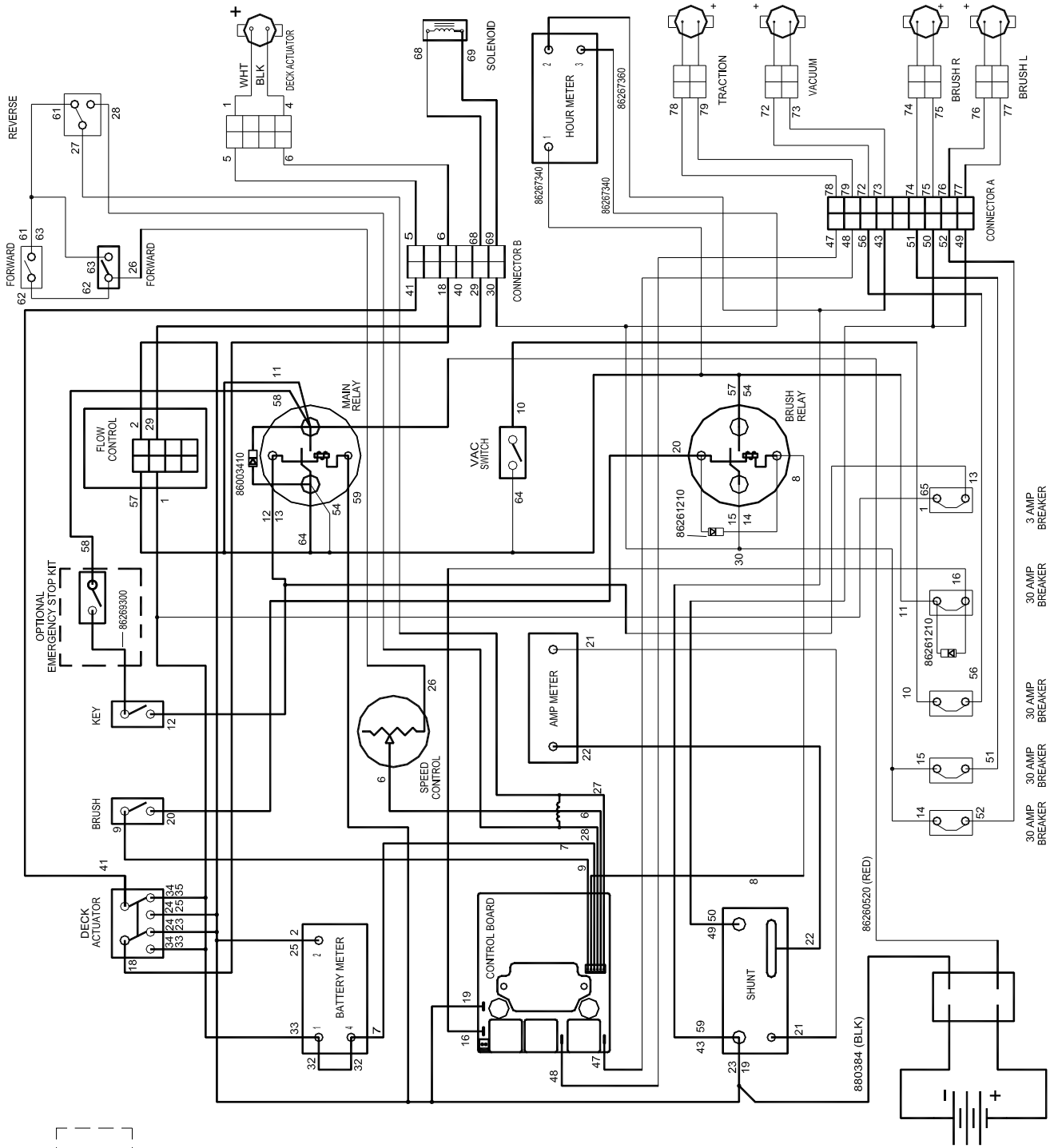
REF	PART NO.	QTY	DESCRIPTION	SERIAL NO. FROM	NOTES
1	86238990	1	HARNESS, PANEL, DELUXE		
2	86261210	2	DIODE ASM, 76008 X 76008		
3	86003410	1	DIODE ASM, 76075 X 76075		
4	86267340	2	WIRE, 22" RED/18 76040 X 76075		
5	86269300	1	WIRE, 16" RED/18 STRIP X STRIP		
6	86267360	1	WIRE, 14" BLK/18 76011 X 76040		

Wiring Group-Main Harness



REF	PART NO.	QTY	DESCRIPTION	SERIAL NO. FROM	NOTES
1	86238980	1	HARNESS, MAIN		
2	86260400	1	WIRE ASM, REV POLARITY JUMPER		SERVICE ONLY

Wiring Group-Schematic

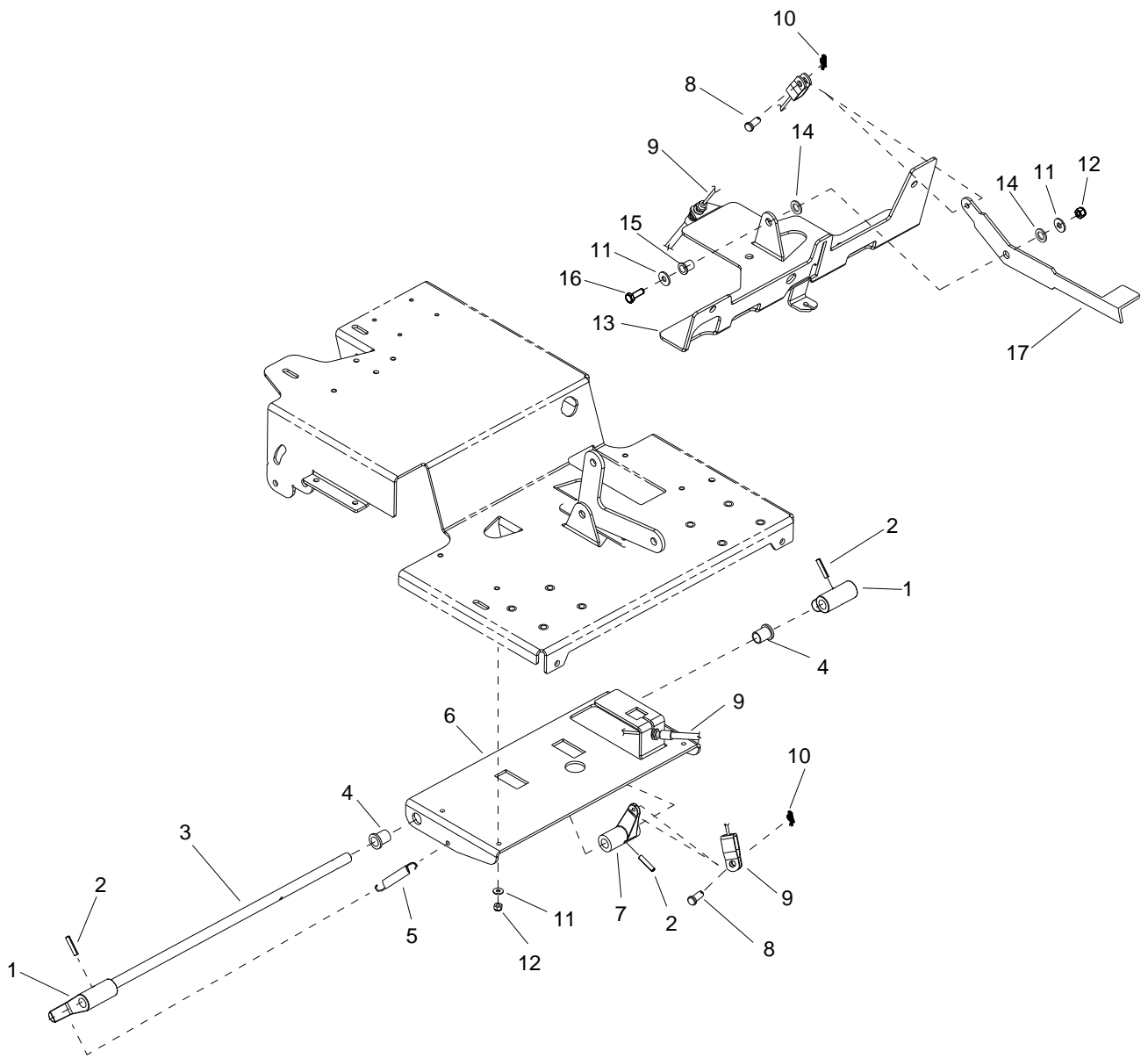


INDICATES OPTIONAL ACCESSORY

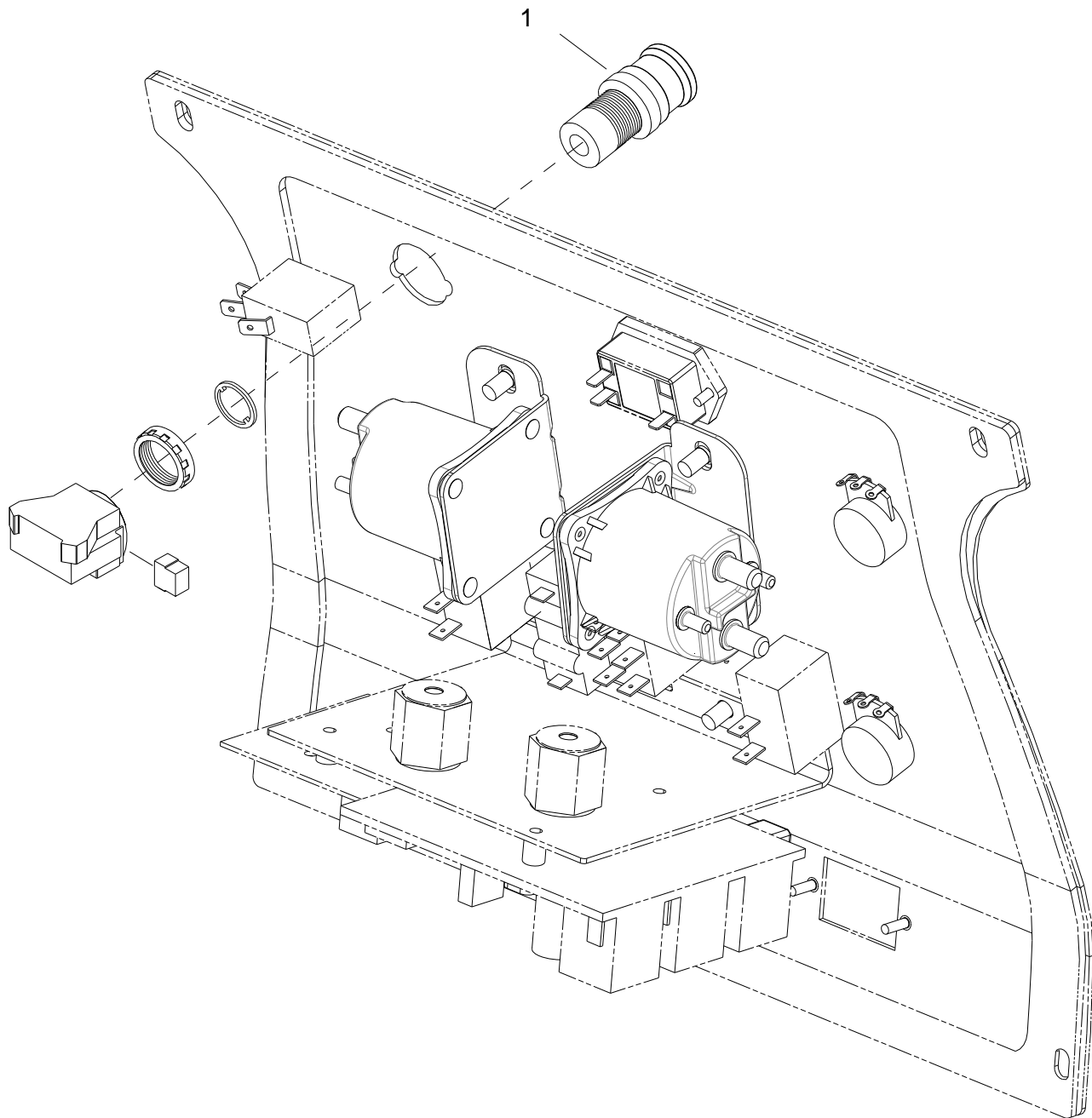
PART NO.	DESCRIPTION	SERIAL NO. FROM	NOTES
86001910	BREAKER, 30A 50VDC CIRCUIT		
86002000	BREAKER, 3 AMP 1681-090-300		
86006370	RELAY 36VDC 100AMP HVY DUTY		
86007140	SWITCH SPST 2-POSITION ROCKER		
86009200	KNOB, 3/8-16 4 PRONG ALUM		
86007490	SQUEEGEE, REAR BLADE, LINTEX		
86009830	SQUEEGEE FRONT BLADE LINATEX		
86003990	GASKET, DOME		
86236410	FLOAT VAC SHUT OFF		
86001430	BLADE AQ LEFT 16 INCH		
86001420	BLADE AQ RIGHT 16 INCH		
86004860	KEY, SWITCH		
86007530	SKIRT 32 INCH LEFT		
86007540	SKIRT 32 INCH RIGHT		
86230800	BRUSH SET, 36V 3ST VAC AMETEK		
86326980	BRUSH SET 24/36V VAC WINDSOR		

Notes:

OPTIONS

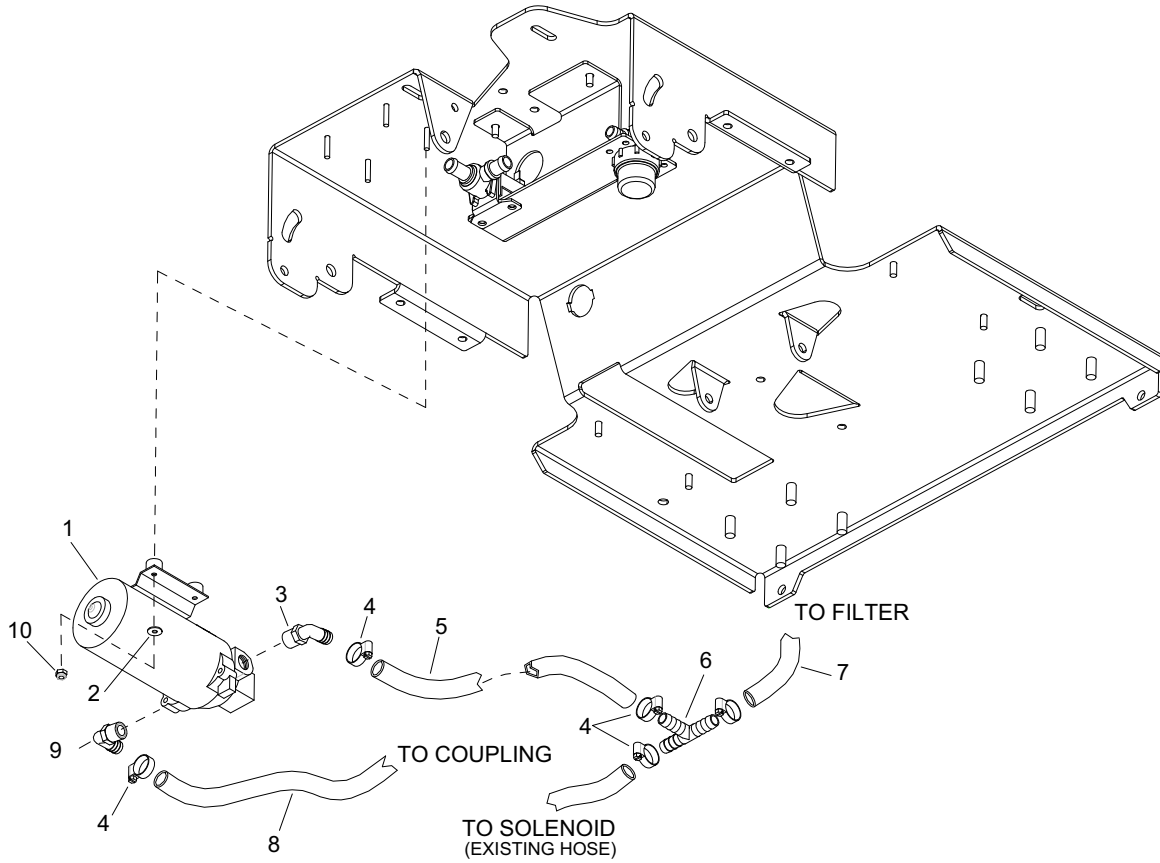
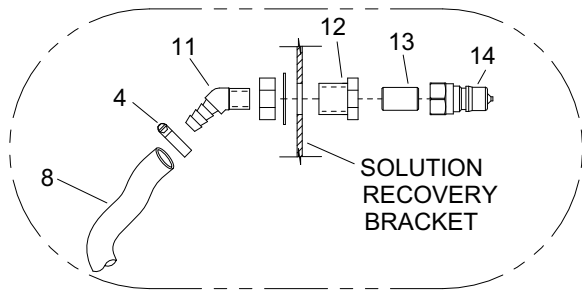


REF	PART NO.	QTY	DESCRIPTION	SERIAL NO. FROM	NOTES
1	86248370	2	PAD, BRAKE		
2	86006220	3	PIN, ROLL 1/4 X 1.25 STL ZNPLT		
3	86251800	1	ROD BRAKE 36V		
4	86231330	2	BUSHING, .6270 X .753 X 1 FLG BRZ		
5	86255060	2	SPRING, EXT .43D X2.50L X.047W		
6	86070060	1	BRKT LOWER BRAKE MOUNT 36V		
7	86234850	1	CRANK, BRAKE		
8	86272610	2	PIN, CLEVIS 5/16 X .75 STL ZNPLT		
9	86231820	1	CABLE, PARK BRAKE		
10	86008660	2	COTTER 5/16" RING		
11	86010630	6	WASHER, 1/4 X .625 FLT SS		
12	86271870	5	NUT, 1/4-20 HEXTHIN NYLOCK SS		
13	86073690	1	BRT, REC TO SOL W/BRAKE 36V		
14	86259400	1	WASHER, .510 X 1 THR		
15	86228900	1	BUSHING, .252 X .503 X .75 FLG		
16	86273820	1	SCREW, 1/4-20 X 1.25 HHMS SS		
17	86077280	2	LEVER, BRAKE		



REF	PART NO.	QTY	DESCRIPTION	SERIAL NO. FROM	NOTES
1	86007180	1	SWITCH EMERGENCY STOP		
2	86269300	1	WIRE, 16" RED/18 STRIP X STRIP		NOT SHOWN

Accessory Pump



REF	PART NO.	QTY	DESCRIPTION	SERIAL NO. FROM	NOTES
1	86006100	1	PUMP ASM, 36V ACCESSORY		
2	86010650	4	WASHER, 10 X .562 X .032 FLT STL PSVT		
3	86197940	1	HOSEBARB, 3/8MPT X 1/2 90D DL		
4	86233150	6	CLAMP, 3/8 HOSE (D-SLOT)		
5	86280750	1	HOSE, 1/2 WIREBOUND X 21"		
6	86240410	1	HOSEBARB, 1/2 TEE		
7	86282110	1	HOSE, 1/2ID WIRE BOUND X 5.5"		
8	86282200	1	HOSE 3/8ID WIRE BOUND X 40"		
9	86001550	1	HOSEBARB, 3/8MPT X3/8 90D		
10	86270990	4	NUT, 10-32 HEX NYLOCK SS		
11	86197620	1	HOSEBARB, 1/4MPT X 3/8 45D DL		
12	86002470	1	COUPLING, 1/4 ANCHOR W/1" HEX		
13	86005590	1	NIPPLE 1/4 CLOSE		
14	86005580	1	NIPPLE 1/4 FPT QD		
-	86239020	1	HARNESS PUMP KIT ADAPTER		NOT SHOWN
-	86264940	1	CABLE TIE, 11.38" UL/CSA		NOT SHOWN

Serial Numbers

REF. NO.	MODEL: SERIAL #
1	1000094309
2	1000099023
3	1000099610
4	1000122451
5	10052400000083, 10052850000001, 10052880000076
6	10052400000084, 10052850000001, 10052880000101