

SG1 C BP

KÄRCHER

North America

Gum Remover

Operating instructions (ENG)

MODEL: 1.013-104.0
SG1 C BP



WARNING:

This product and accessories may contain a chemical known to the State of California to cause cancer and birth defects or other reproductive harm.

For more information about this regulation: www.P65Warnings.ca.gov

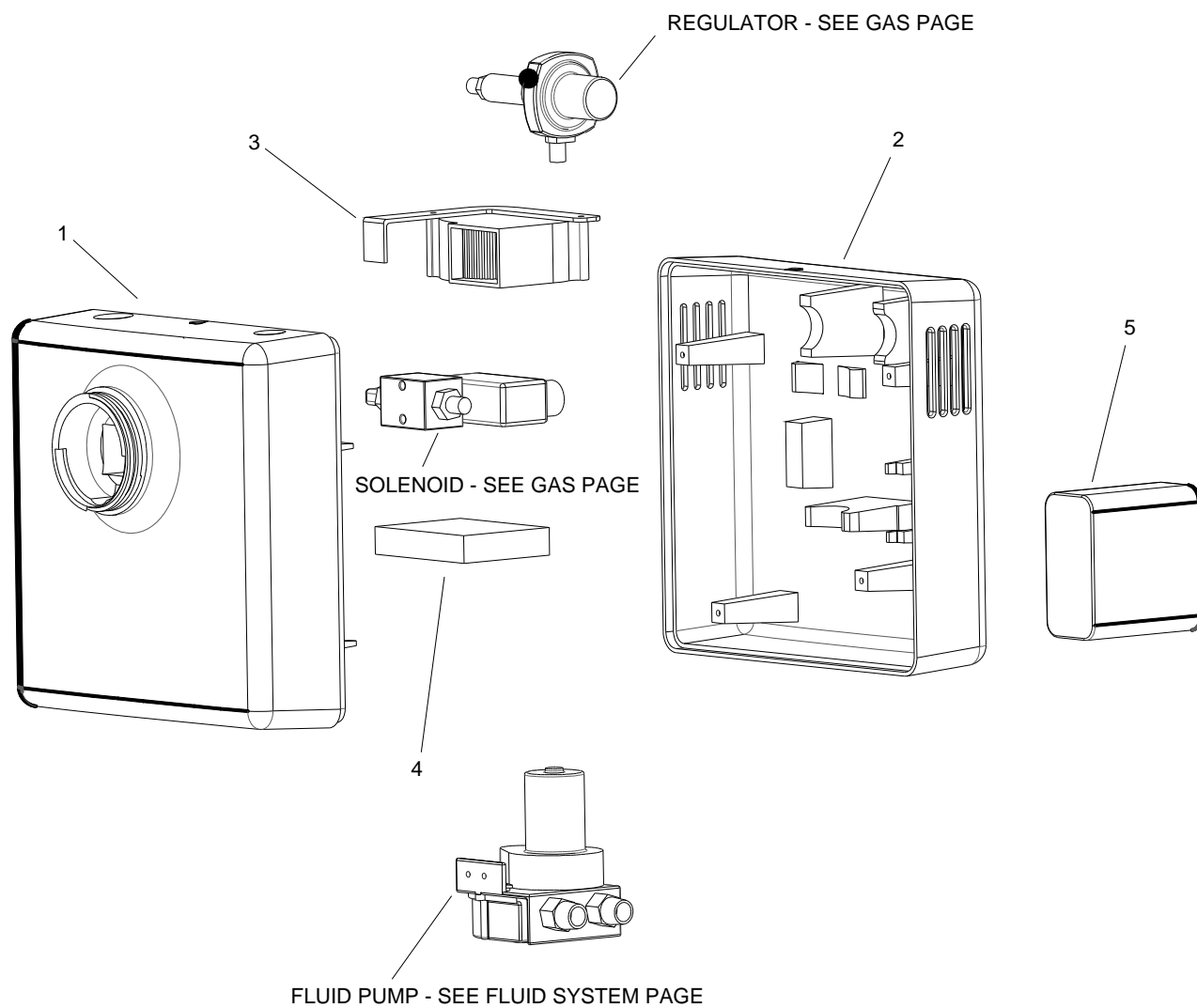


86385190-H 07/20/18

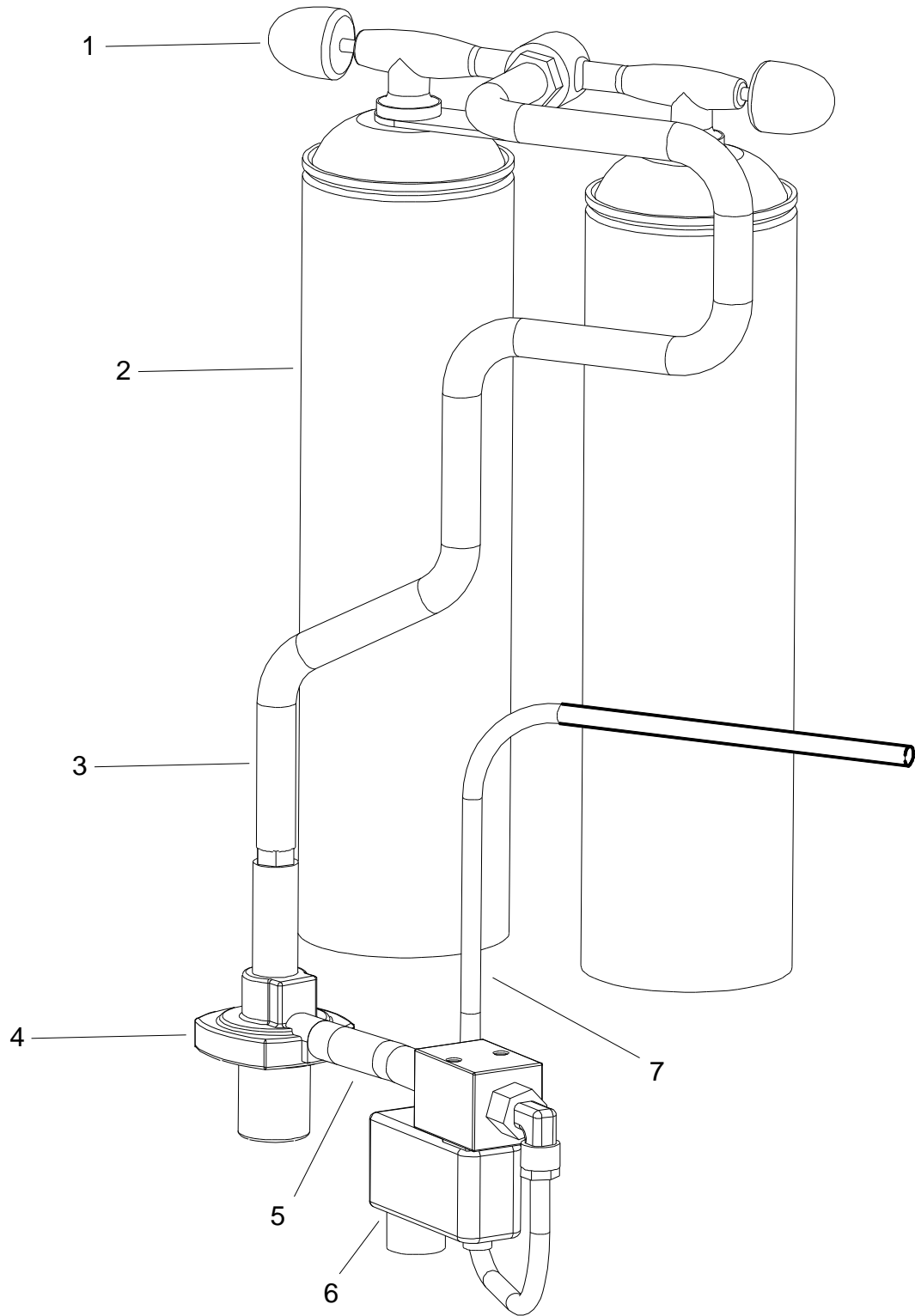
Suggested Spare Parts/Accessories

Part Number	Suggested Spare Parts	Notes
86398710	SERVICE BOX WV1	
-	2x Gas Cartridges	Included with Service Box
-	4x Chemical Bottles	
-	2x Brush, Hard, Black	
86428800	BRUSH, HARD, BLACK, 2 PACK	
86429310	BRUSH SOFT GREEN 2 PACK	
86398280	CHARGER	
86398370	PUMP CONTROL CABLE ASSEMBLY	
Part Number	Accessories	Notes
86405890	SG2 LANCE ROLLER	

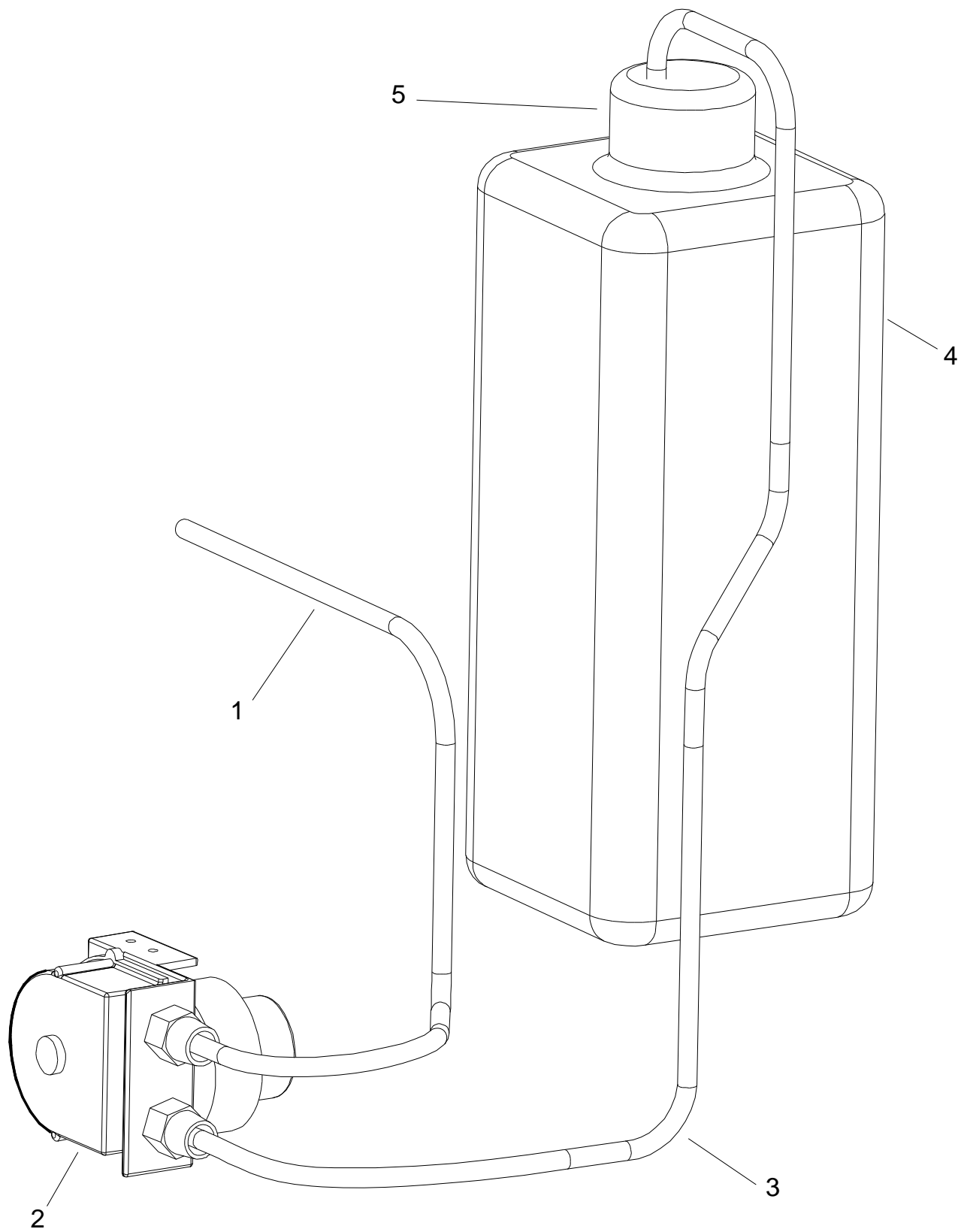
PARTS



REF	PART NO.	QTY	DESCRIPTION	SERIAL NO. FROM	NOTES
1	86385220	1	FRONT CASE, SG1		
2	86385230	1	BACK CASE, SG1		
3	86398320	1	BLOWER FAN		
4	86385240	1	PCB, SG1		
5	86385210	1	BATTERY, 8 CELL		
6	86385250	1	CANVAS, BACKPACK, SG1		NOT SHOWN
-	86398460	1	LANCE INCLUDING EVA HOSE		NOT SHOWN
-	86428360	1	STRETCH HOSE, GUM REMOVER		NOT SHOWN



REF	PART NO.	QTY	DESCRIPTION	SERIAL NO. FROM	NOTES
1	86398390	1	GAS BOTTLE TAPS		
2	-	2	GAS BOTTLE		FROM KIT 86398710
3	86398400	1	MAIN GAS PIPE 500MM		
4	86398380	1	GAS REGULATOR		
5	86398410	1	SMALL GAS PIPE 65MM		
6	86385260	1	SOLENOID ASSY, SG1		
7	86398420	1	SMALL GAS TO LANCE 2300MM		



REF	PART NO.	QTY	DESCRIPTION	SERIAL NO. FROM	NOTES
1	86398450	1	FLUID PIPE OUT		
2	86398430	1	FLUID PUMP		
3	86398440	1	FLUID PIPE IN		
4	-	1	FLUID BOTTLE		FROM KIT 86398710
5	86425960	1	FLUID BOTTLE CAP		