

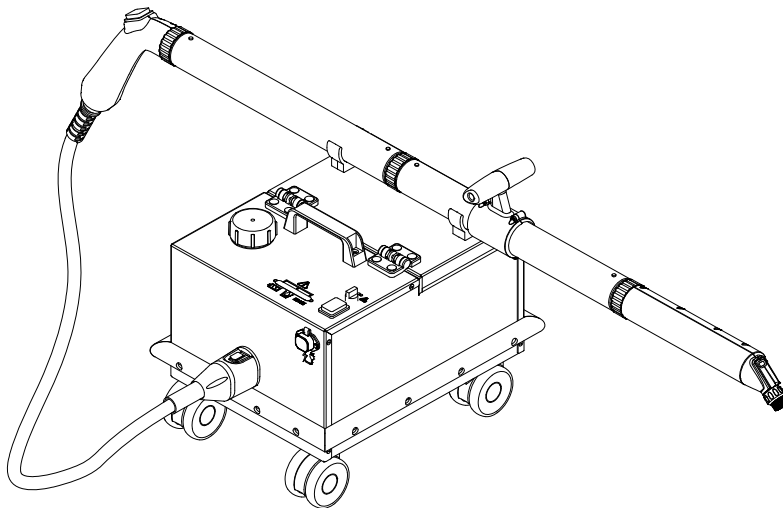
SG3 C BP

KÄRCHER

Gum Remover

Operating instructions (ENG)

MODEL: SG3 C BP
1.013-105.0

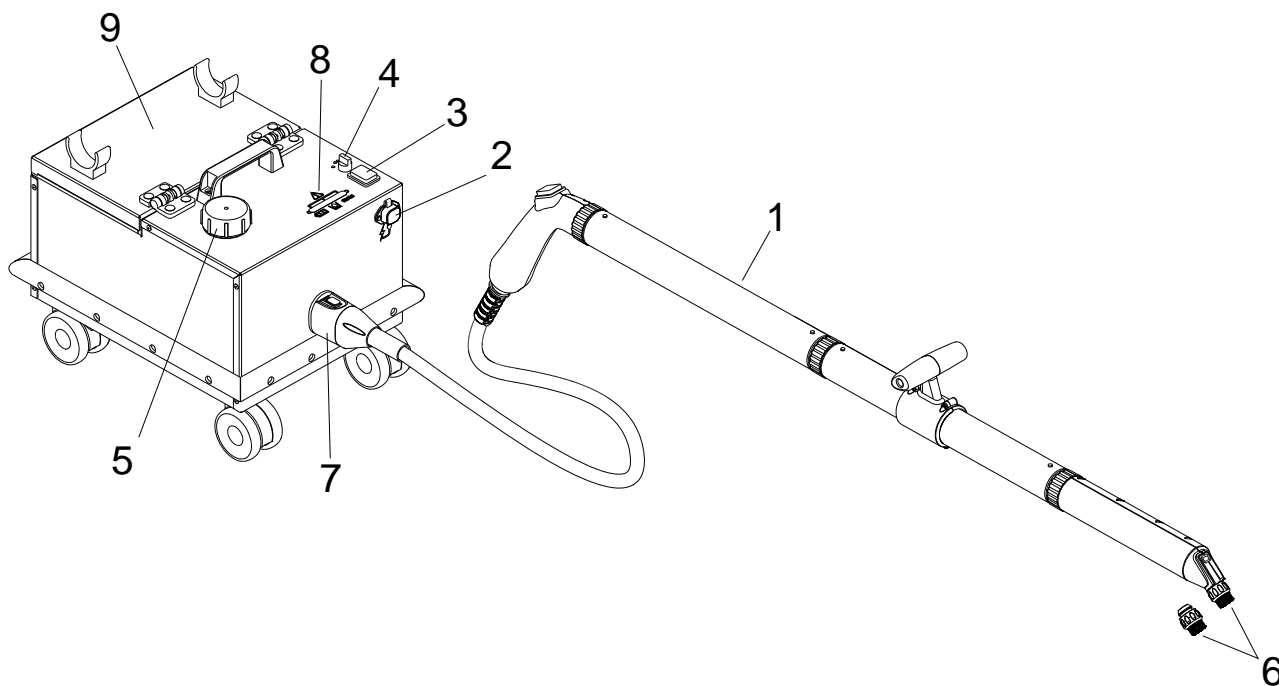


WARNING:

This product and accessories may contain a chemical known to the State of California to cause cancer and birth defects or other reproductive harm.

For more information about this regulation: www.P65Warnings.ca.gov





Components

- 1. Heating Assembly
- 2. Charging Port
- 3. Power Switch
- 4. Setting Dial
- 5. Fluid Tank
- 6. Brushes
- 7. Handle Plug
- 8. Warning Indicators
- 9. Battery Compartment

Spare Parts - Body

Image	Part #	Ref #	Description	Notes
	86414570	01-100-002G	BASE UNIT GREY	
	86414470	01-100-081	POWER SOCKET HOUSING	
	86415110	01-100-073G	BUMPER STRIP BRACE - GREY	SET OF 4
	86414770	01-100-103G	WHEELS BRACE	SET OF 2
	86414690	01-999-006	PLASTIC TOP HANDLE	
-	86415120	01-999-035	M6 X 14 CAP HEAD SCREW	SET OF 2
-	86415130	01-999-007	LATCH ASSEMBLY	
-	86415140	01-999-007	M4 X 6 POP RIVET	SET OF 2
	86414680	01-100-069	WHEEL, BRAKE	SET OF 2
	86415150	01-100-070	WHEEL, UNBRAKED	SET OF 2
-	86414670	01-100-009	RUBBER BUMPER STRIP KIT LONG	SET OF 2
-	86415160	01-100-010	RUBBER BUMPER STRIP KIT SHORT	SET OF 2
	86414710	01-999-032	LID SEAL, 6 X 12MM X 10M SELF ADHESIVE	10M LENGTH

Image	Part #	Ref #	Description	Notes
	86414530	01-100-036G	LID ASSEMBLY	
	86423410	01-100-001G	LID GREY	
	86414540	01-100-072	WAND CLIPS	SET OF 2
	86414560	01-100-071	LID HINGES	SET OF 2
-	86423420	01-999-012	LATCH	
	86423430	01-100-074G	TANK SUPPORT ASSEMBLY GREY	
	86414700	01-100-042	REPLACEMENT PUMP ASSEMBLY	
-	86414760	01-100-060	PUMP WIRING LOOM	
	86414640	01-100-045	MAIN CONTROL PCBA	
	86414610	01-100-100G	ACCESS PANEL GREY	
	86414440	01-100-094	TORBERRY HOLDER FEMALE SOCKET	SET OF 2
-	86423440	01-100-067	BATTERY STRAP	
	86414600	01-100-003G	BATTERY STOP - GREY	SET OF 2

Spare Parts - Heating assembly





Image	Part #	Ref #	Description	Notes
	86414400	01-100-038	HANDLE AND HOSE ASSEMBLY	
	86415060	01-100-038 3m	HANDLE AND HOSE ASSEMBLY 3M	OPTION (3M LENGTH)
	86415070	01-100-029	HANDLE HOUSING LEFT	
	86415080	01-100-30	HANDLE HOUSING RIGHT	
	86414420	01-999-037	ON/OFF SWITCH	
	86414720	01-100-084	WATER CONNECTOR BASE	
-	8641509	01-999-046	O-RING - EPDM - 6 X 2	SET OF 10
	86415100	01-100-059	HOSE LOOM ASSEMBLY	
	86414520	01-100-034	SUPPORT HANDLE ASSEMBLY	INCLUDES FASTENERS
	86414480	01-100-021	HEATER ASSEMBLY	INCLUDES BRUSH RELEASE BUTTON AND SPRING
	86414960	01-100-023	HEATER HOUSING LEFT	

Spare Parts - Heating Assembly

Image	Part #	Ref #	Description	Notes
	86414970	01-100-024	HEATER HOUSING RIGHT	
	86414490	01-100-075Y	BRUSH RELEASE BUTTON	
	86414980	01-100-077	BRUSH RELEASE SPRING	
	86414990	01-100-086	STEAM NOZZLE	
-	86415000	01-999-002	THREAD FORMING SCREW	SET OF 10
	86415010	01-100-017	WATER CONNECTOR MALE	
-	8641502	01-999-026	SILICONE TUBING (2.3 X 5.5MM)	250MM LENGTH
	86415030	01-100-122	HEATER ELECTRIC ASSEMBLY	
	86415040	01-100-019	WATER CONNECTOR FEMALE	
-	86415050	01-999-024	3 X 8 PAN T10 BLACK SCREW	SET OF 10
	86414510	01-100-020	EXTENSION ASSEMBLY POLE	
	86414410	01-100-031	HAND SCREW	
-	86414500	01-999-001	O-RING - EPDM - 6.07 X 1.78	SET OF 10
	86414780	01-100-101	NYLON BRUSH	SET OF 20
	86414790	01-100-102	BRASS BRUSH	SET OF 20
	86414800	HC1447	SG3 CHEMICAL 90ML BOTTLE	CASE OF 20

Spare Parts - Electrical

Image	Part #	Ref #	Description	Notes
	86414660	01-100-106	BATTERY CHARGER US SG3	
	86414460	01-100-097	TORBERRY FEMALE CONNECTOR	
-	86423450	01-100-115	TORBERRY FEMALE CONNECTOR PIN	
-	86423460	01-100-107	US POWER LEAD	
	86414650	01-100-066	BATTERY SG3	
	86414450	01-100-096	TORBERRY MALE CONNECTOR	
-	86415220	01-100-114	TORBERRY MALE CONNECTOR PIN	
	86414430	01-100-095	TORBERRY HOLDER MALE SOCKET	
-	86415170	01-100-080	TORBERRY COVER	
-	86414630	01-100-110	TORBERRY CHARGING WIRING LOOM	
-	86415180	01-100-111	BATTERY WIRING LOOM	
-	86414730	01-100-008	POWER WIRING LOOM	
-	86414620	01-100-085(O)	LED WIRING LOOM	
-	86414550	01-100-085	LED WIRING LOOM	SERIAL #1
-	86415190	01-100-150	LED PCBA	SERIAL #1
-	86415200	01-100-051	POWER SOCKET ASSEMBLY	SERIAL #1
-	86415210	01-999-036	LED LENS	SET OF 3
-	86414740	01-100-123	MODE SWITCH LOOM	
-	86414750	01-100-050	ON/OFF SWITCH WIRING LOOM	

Image	Part #	Ref #	Description	Notes
	86414580	01-100-037	FLUID TANK ASSEMBLY	
	86415230	01-100-046	TANK ONLY	
	86414590	01-100-056	TANK LID	
-	86415240	01-999-005	O-RING - EPDM - 50.4MM ID	
	86415250	01-100-088	TANK FILTER	
-	86423390	01-999-049	SILICONE TUBING (4.8 X 9.6MM) 150MM L	150MM
-	86423400	01-100-047	FLOAT SWITCH ASSEMBLY	

Ref. No.	Model Serial Number
1	ST-08.16.0001